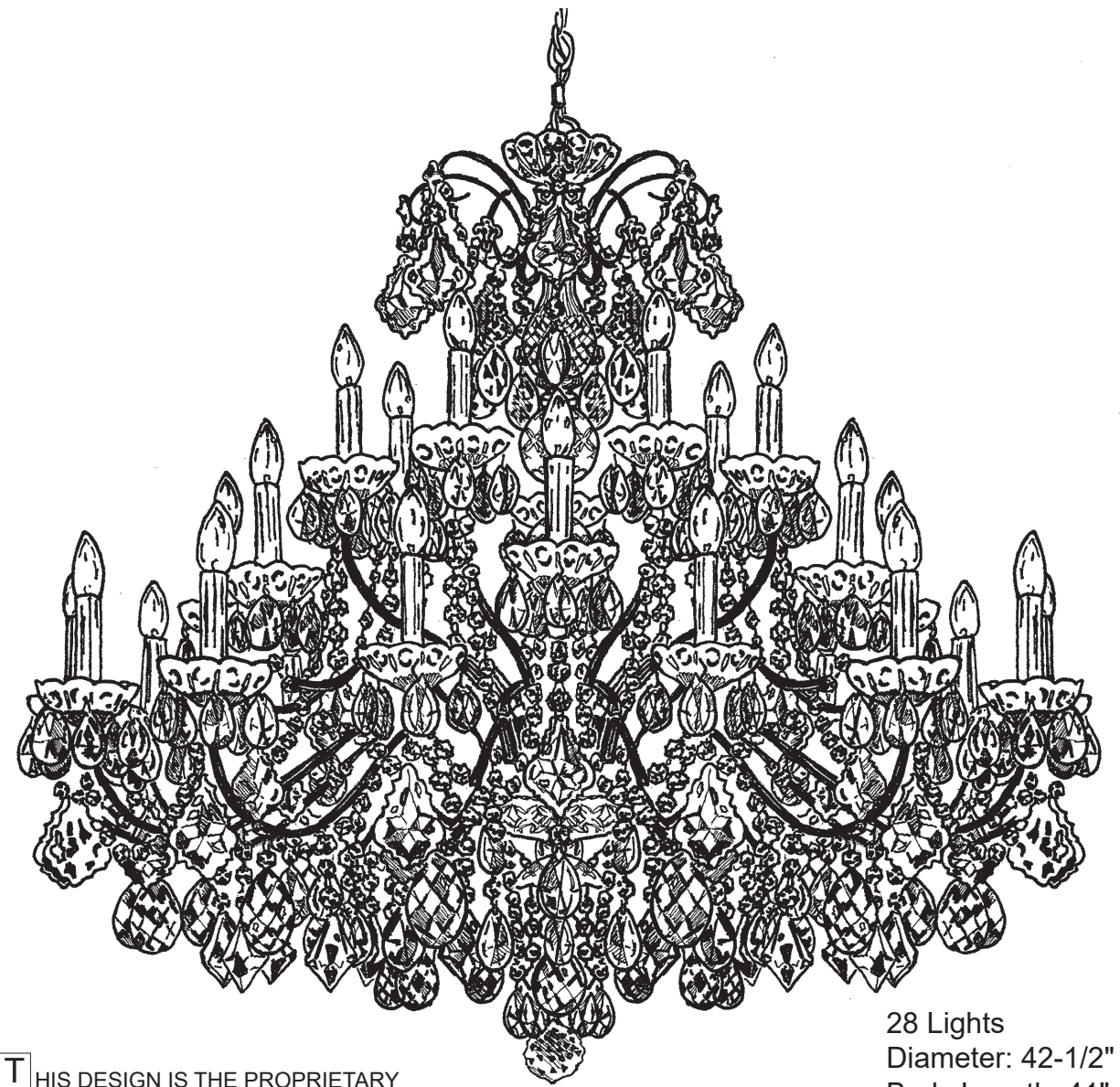


CHANDELIER 1718-___ TRIM DIAGRAM

(Finish Option)



28 Lights
 Diameter: 42-1/2"
 Body Length: 41"
 Hanging Weight: 60 lbs.

THIS DESIGN IS THE PROPRIETARY TRADE DRESS/TRADEMARK OF W SCHONBEK LLC.



SCHONBEK | 1870

See diagram on back page
 Follow steps in exact order
 Save this trim diagram for future reference

1

IMPORTANT
 Person who opens carton should record the following information for future service.

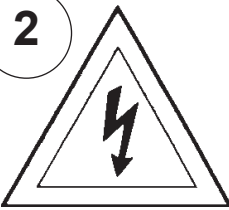
CODE # _____ Four-digit number on outside of carton.
 PACKER # _____ See crystal package label.
 ORDER # _____ See crystal package label.

Instructions for electrician

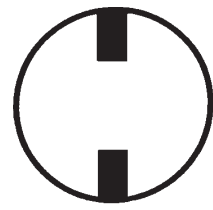
STEPS 2 - 20

WARNING: THIS LUMINAIRE MUST BE MOUNTED OR SUPPORTED INDEPENDENTLY OF AN OUTLET BOX.

WARNING:

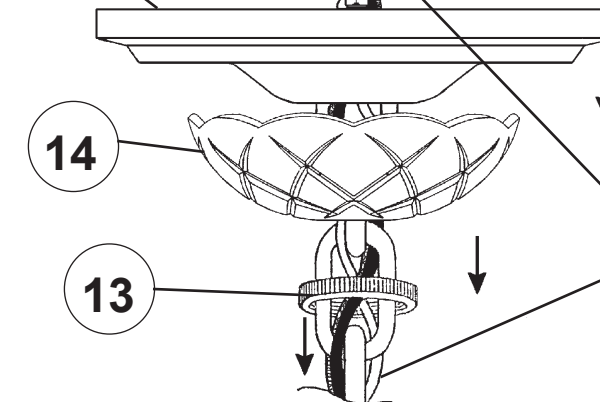
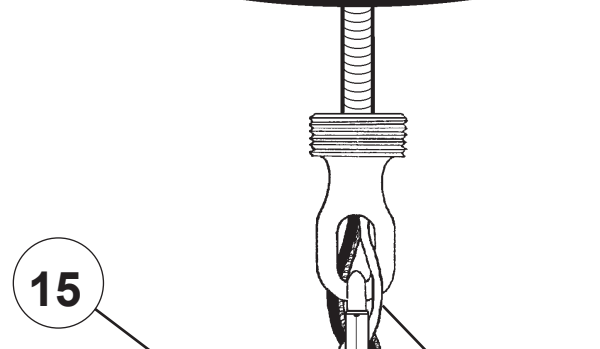
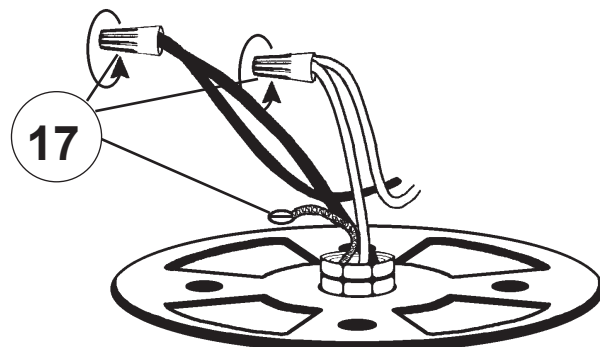
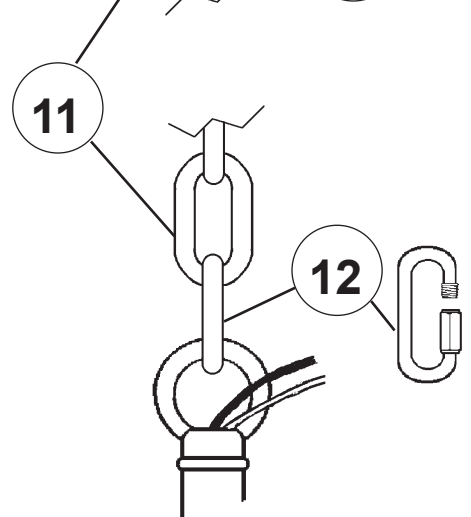
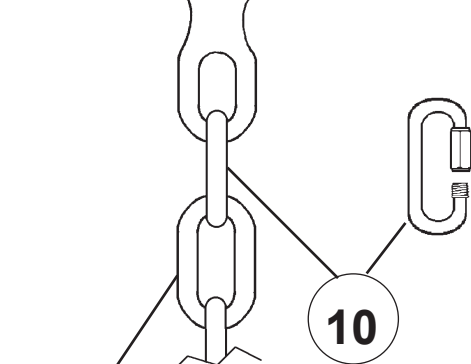
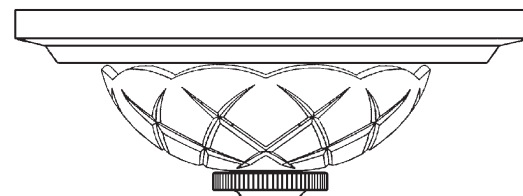
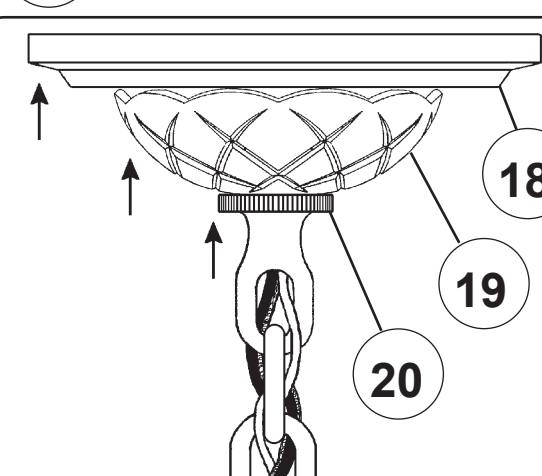
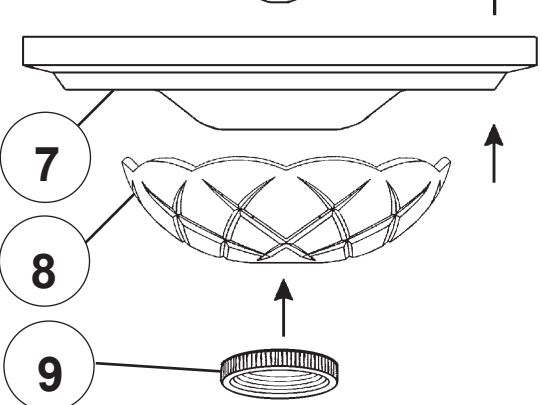
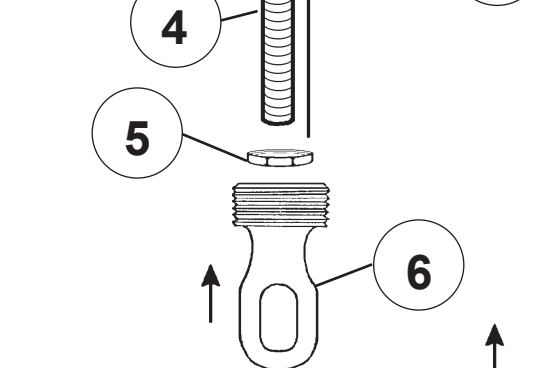
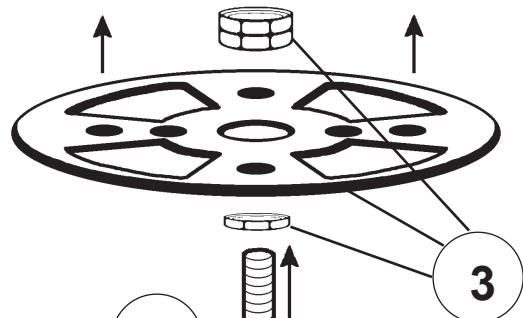


Electrical Danger



Turn Power Off

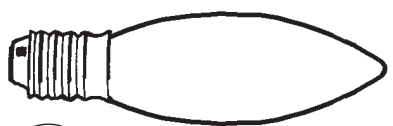
All electrical components must be installed by a licensed electrician in accordance with the National Electric Code and the appropriate local electrical codes.



Instructions for crystal trimming

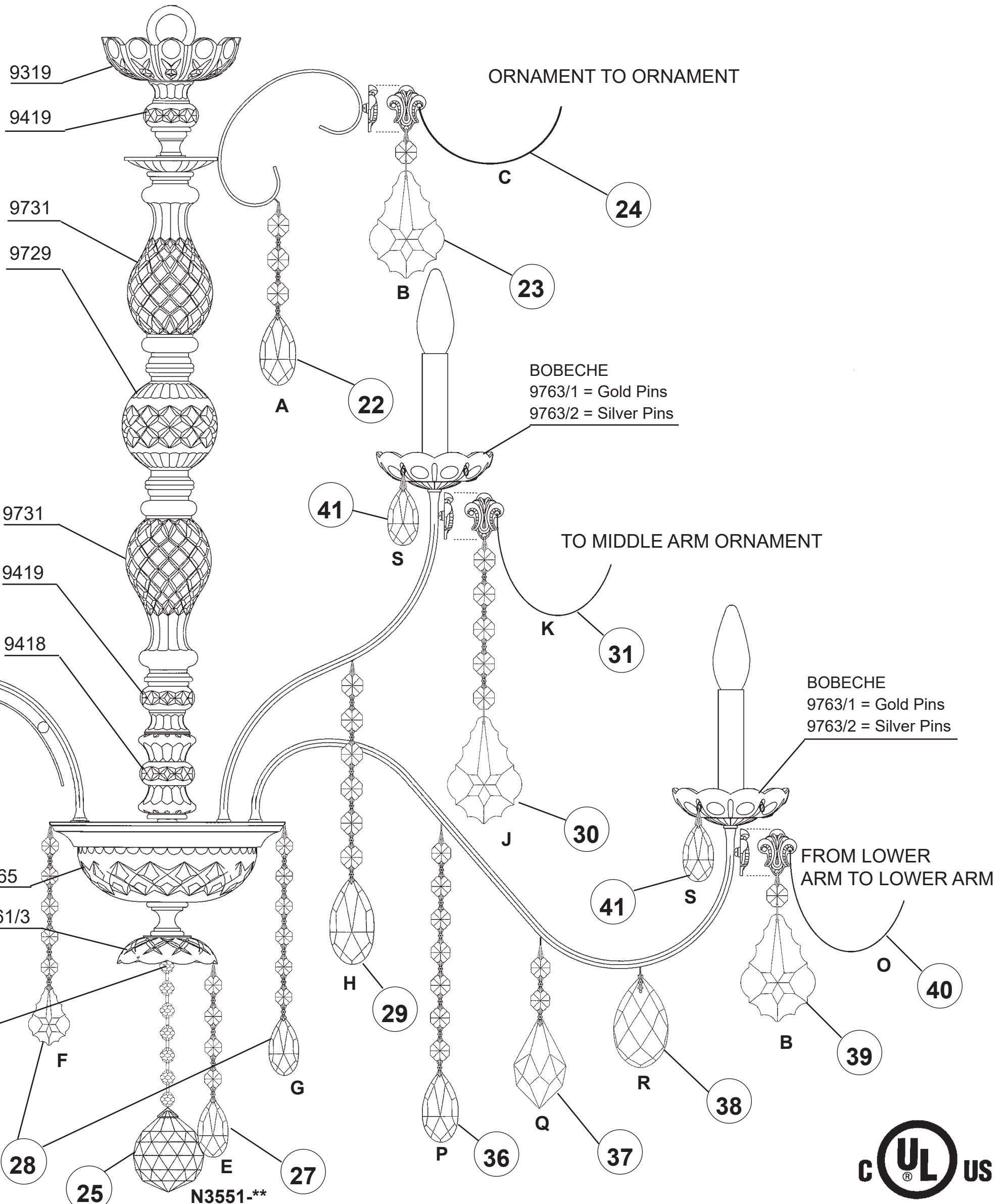
STEPS 21 - 41

21



You will need 28 - B10
25 Watts Recommended
60 Watts Max

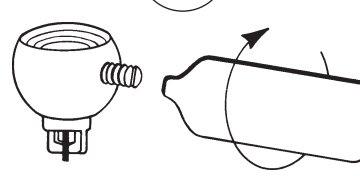
**Install bulb and be sure
to test fixture BEFORE
trimming.**



BOBECHE
9763/1 = Gold Pins
9763/2 = Silver Pins

BOBECHE
9763/1 = Gold Pins
9763/2 = Silver Pins

26



**Tighten With
Tool Provided.**

