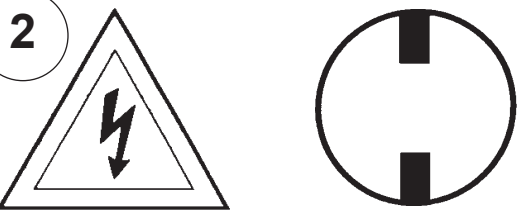


QUANTUM 22240 TRIM DIAGRAM

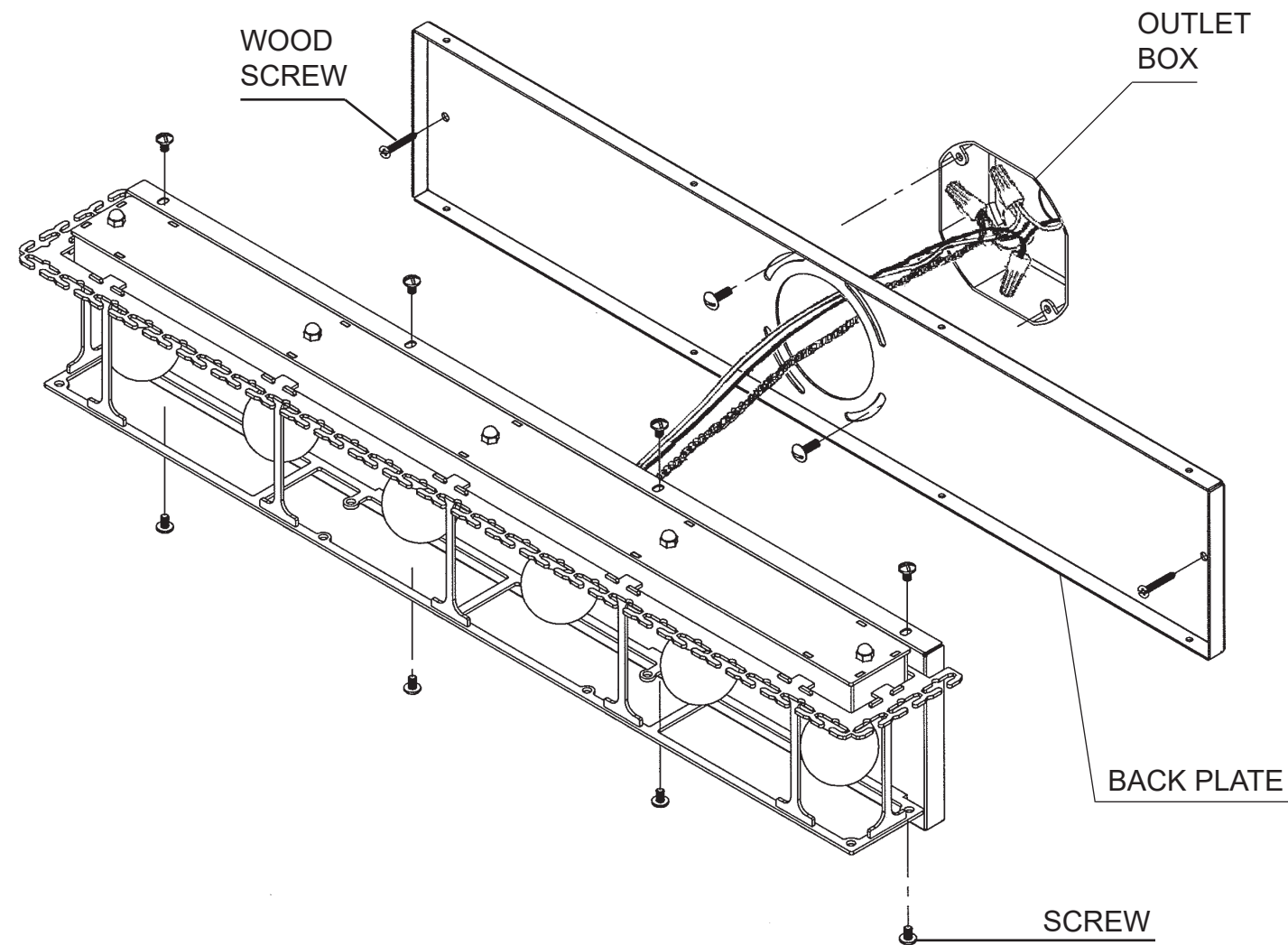
Instructions for electrician STEP 2 - 5

WARNING:

2 

Electrical Danger

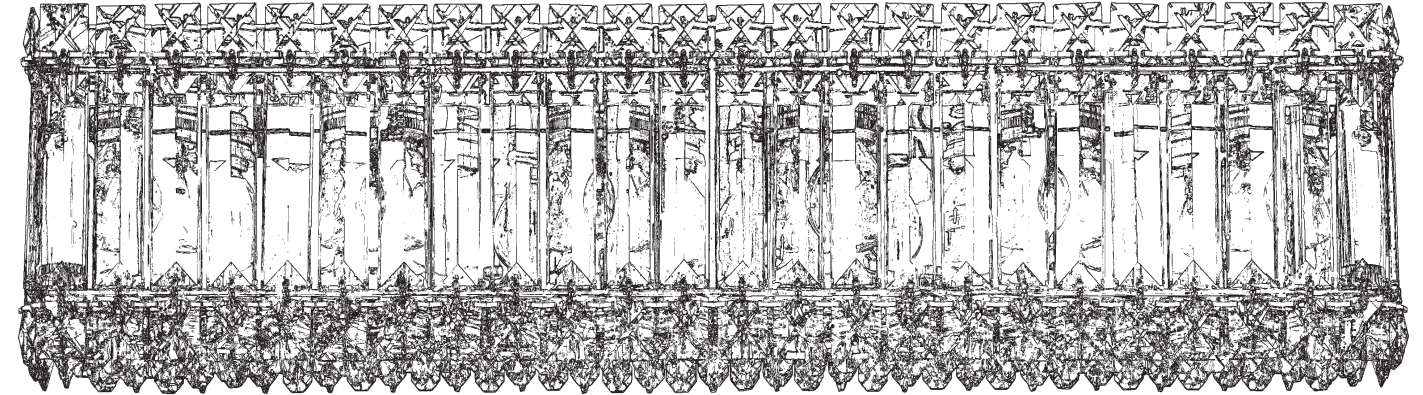
All electrical components must be installed by a licensed electrician in accordance with the National Electric Code and the appropriate local electrical codes.



3 Remove the (8) wall scone screws and separate the back plate from the wall scone. Feed stem and ground wires through back plate, then attach to power wires and ground wire in outlet box.

4 Attach back plate to the outlet box with (2) screws. Supplied are (2) wood screws to stop the wall scone from pivoting.

5 Attach wall scone to back plate and tighten the eight screws removed previously.



6 Lights
Length: 24"
Extension: 3-1/2"
Height: 5"
Weight: 9-1/2 lbs.

THIS DESIGN IS THE PROPRIETARY TRADE DRESS/TRADemark OF W SCHONBEK LLC.



SCHONBEK | 1870

**See diagram on back page
Follow steps in exact order
Save this trim diagram for future reference**

1

IMPORTANT
Person who opens carton should record the following information for future service.

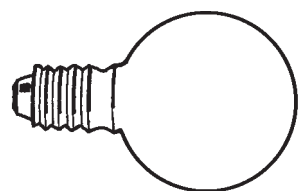
CODE # _____ Four-digit number on outside of carton.
PACKER # _____ See crystal package label.
ORDER # _____ See crystal package label.



Instructions for crystal trimming

STEPS 6 - 8

6



You will need 6 - G11
40 Watts Max
25 Watts recommended
(Supplied - Schonbek #: 30205)

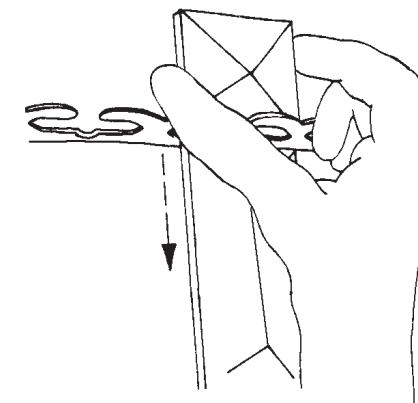
Install bulbs and be sure to test
fixture **BEFORE** trimming.



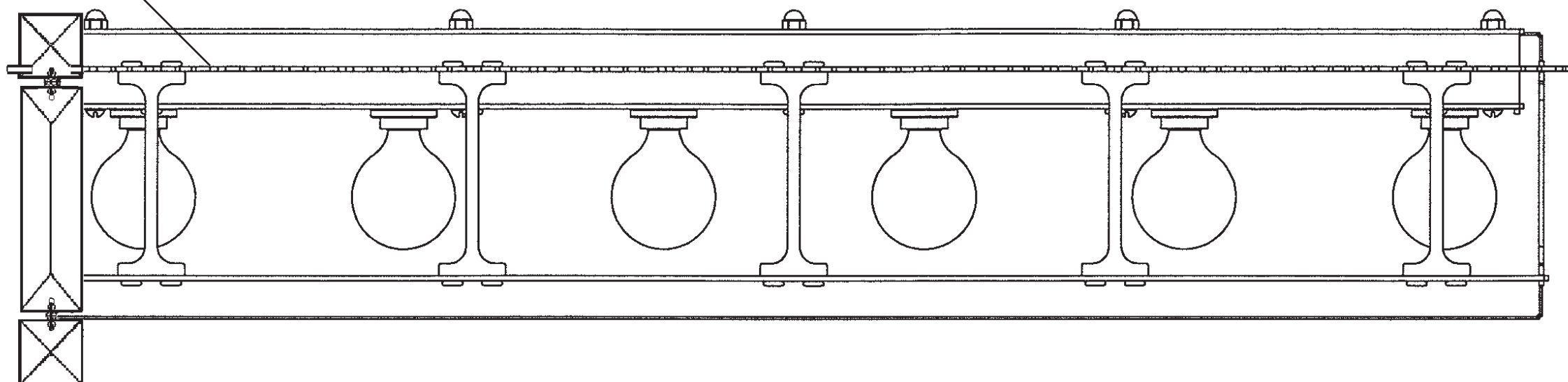
7 Install bottom crystal grid with eight thumb nuts (already screwed onto grid) to bottom of the wall sconce.

8 Hold chain "A" by the top square crystal. (NOTE: Flat side of large crystals face out and chains are also symmetrical so either end will work!) Insert bottom square crystal into the pocket of bottom crystal grid. Then position the top connector (between the top two crystals) into the top plate pocket opening directly above the bottom crystal grid pocket. (Diagram #1) Lower the chain until the top square stone seats itself into the top plate pocket.

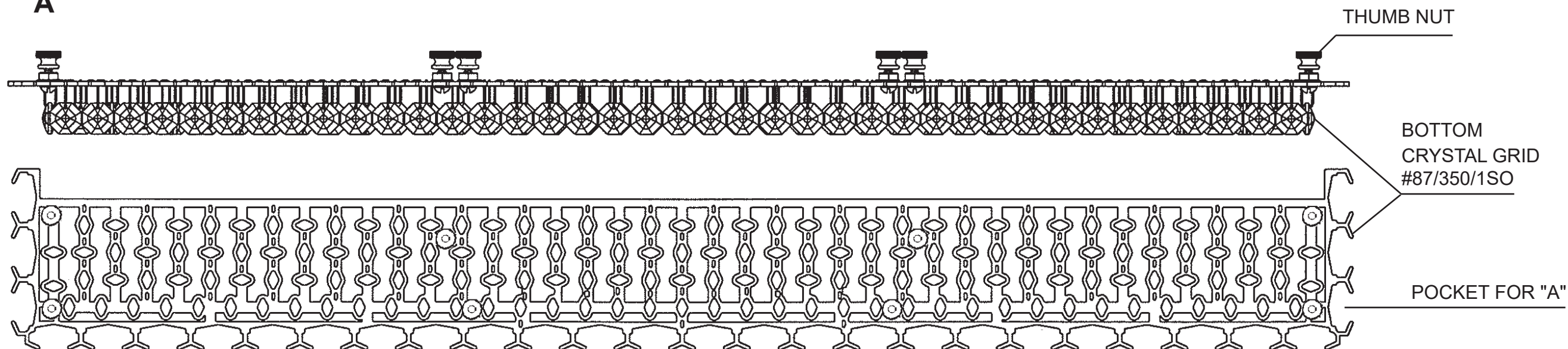
DIAGRAM
#1



TOP PLATE

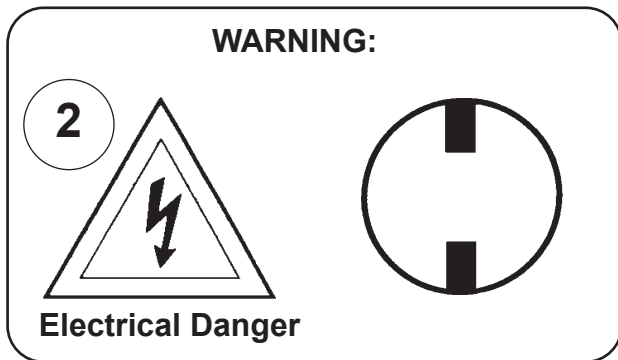


A

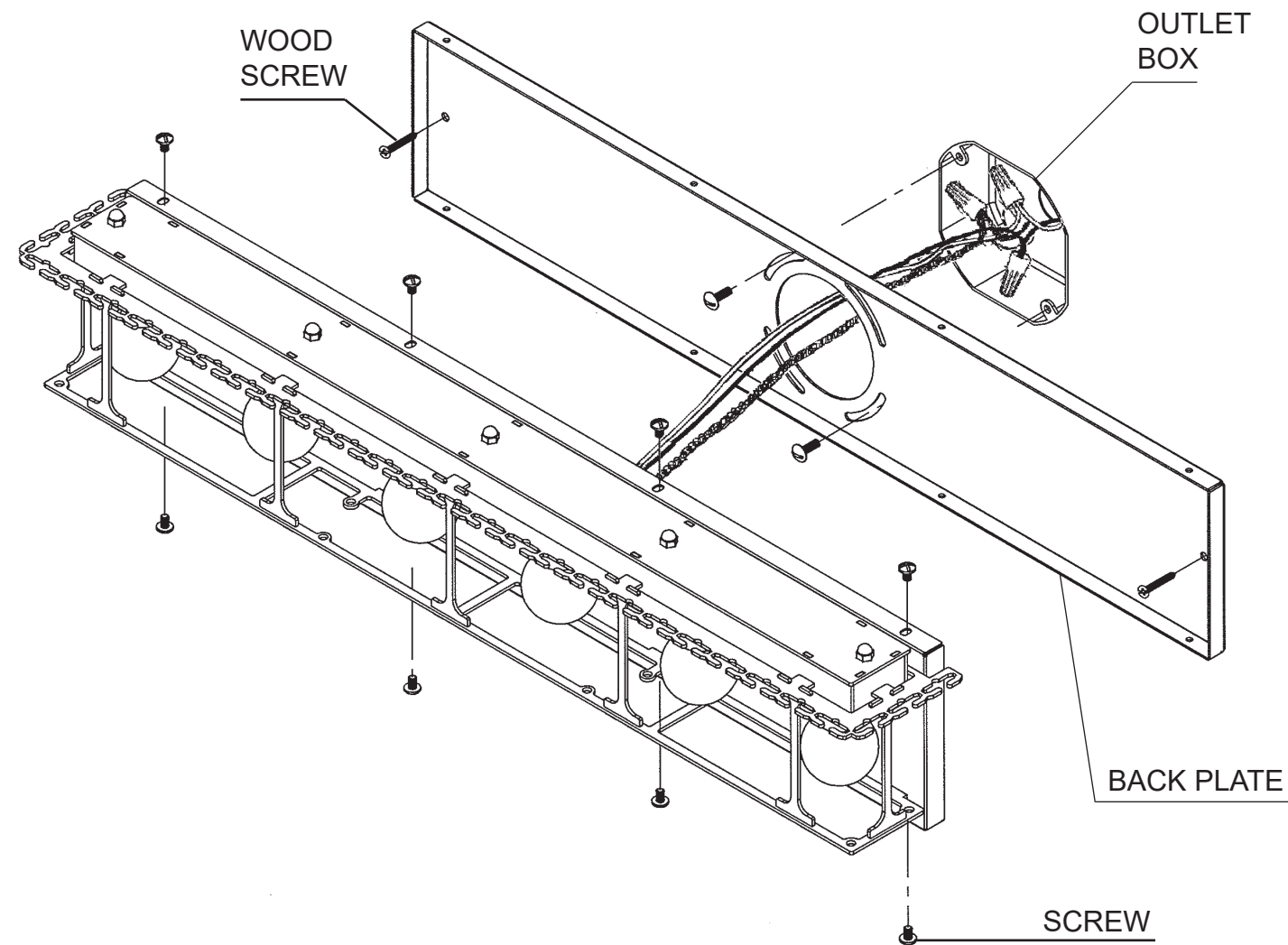


QUANTUM 2224R TRIM DIAGRAM

Instructions for electrician STEP 2 - 5



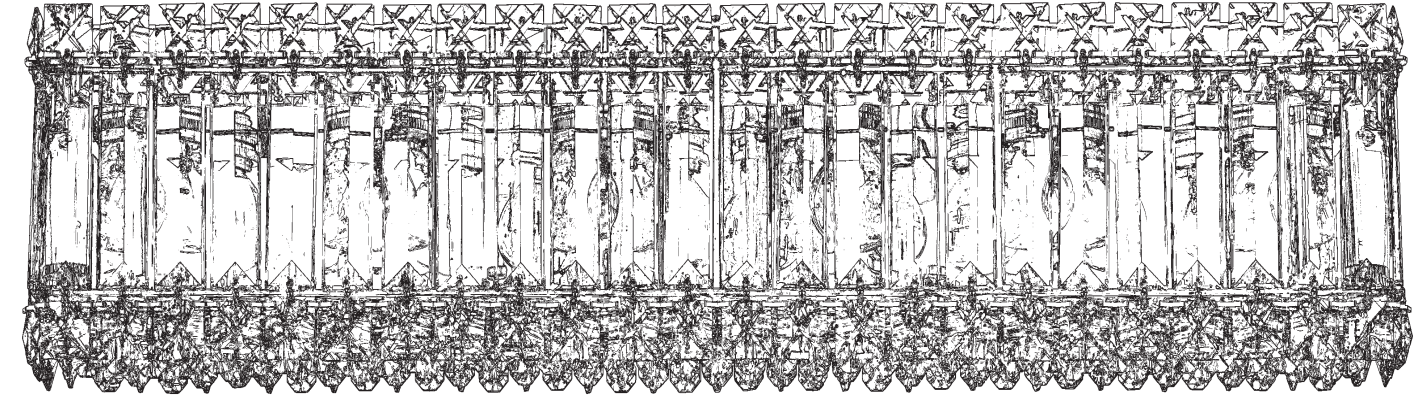
All electrical components must be installed by a licensed electrician in accordance with the National Electric Code and the appropriate local electrical codes.



3 Remove the (8) wall scone screws and separate the back plate from the wall scone. Feed stem and ground wires through back plate, then attach to power wires and ground wire in outlet box.

4 Attach back plate to the outlet box with (2) screws. Supplied are (2) wood screws to stop the wall scone from pivoting.

5 Attach wall scone to back plate and tighten the eight screws removed previously.



6 Lights
Length: 24"
Extension: 3-1/2"
Height: 5"
Weight: 9-1/2 lbs.

THIS DESIGN IS THE PROPRIETARY TRADE DRESS/TRADemark OF W SCHONBEK LLC.



SCHONBEK | 1870

**See diagram on back page
Follow steps in exact order
Save this trim diagram for future reference**

1

IMPORTANT
Person who opens carton should record the following information for future service.

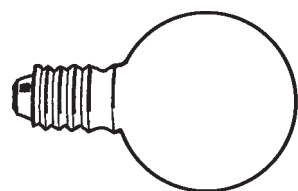
CODE # _____ Four-digit number on outside of carton.
PACKER # _____ See crystal package label.
ORDER # _____ See crystal package label.



Instructions for crystal trimming

STEPS 6 - 8

6



You will need 6 - G11
40 Watts Max
25 Watts recommended
(Supplied - Schonbek #: 30205)

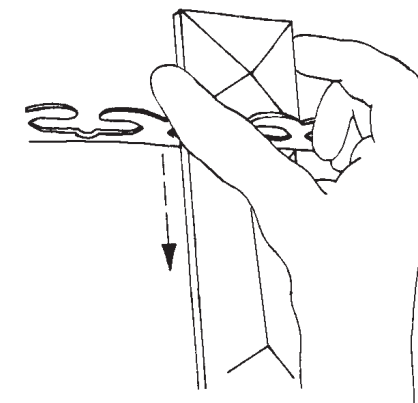
Install bulbs and be sure to test
fixture **BEFORE** trimming.



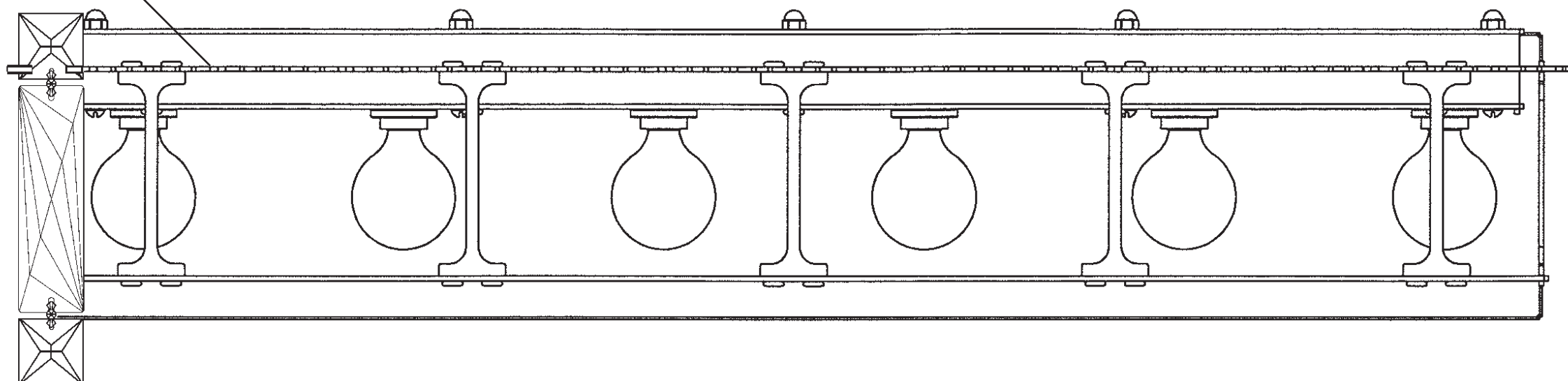
7 Install bottom crystal grid with eight thumb nuts (already screwed onto grid) to bottom of the wall sconce.

8 Hold chain "A" by the top square crystal. (NOTE: Flat side of large crystals face out and chains are also symmetrical so either end will work!) Insert bottom square crystal into the pocket of bottom crystal grid. Then position the top connector (between the top two crystals) into the top plate pocket opening directly above the bottom crystal grid pocket. (Diagram #1) Lower the chain until the top square stone seats itself into the top plate pocket.

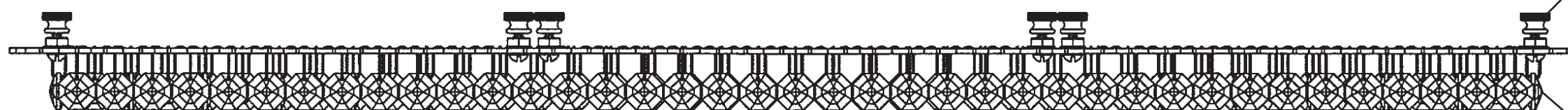
DIAGRAM
#1



TOP PLATE

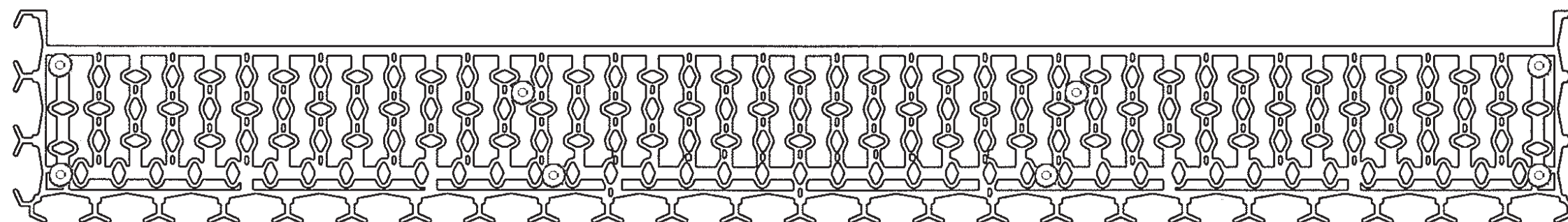


A



THUMB NUT

BOTTOM
CRYSTAL GRID
#87/350/1SR

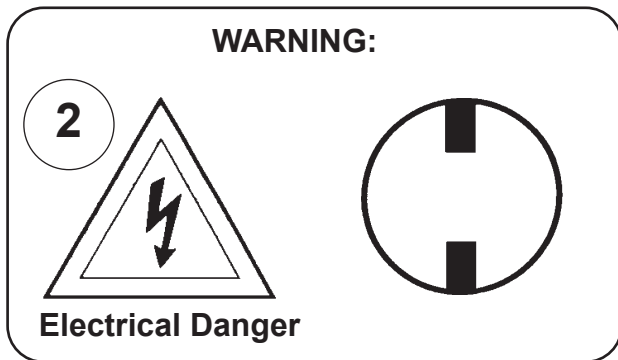


POCKET FOR "A"

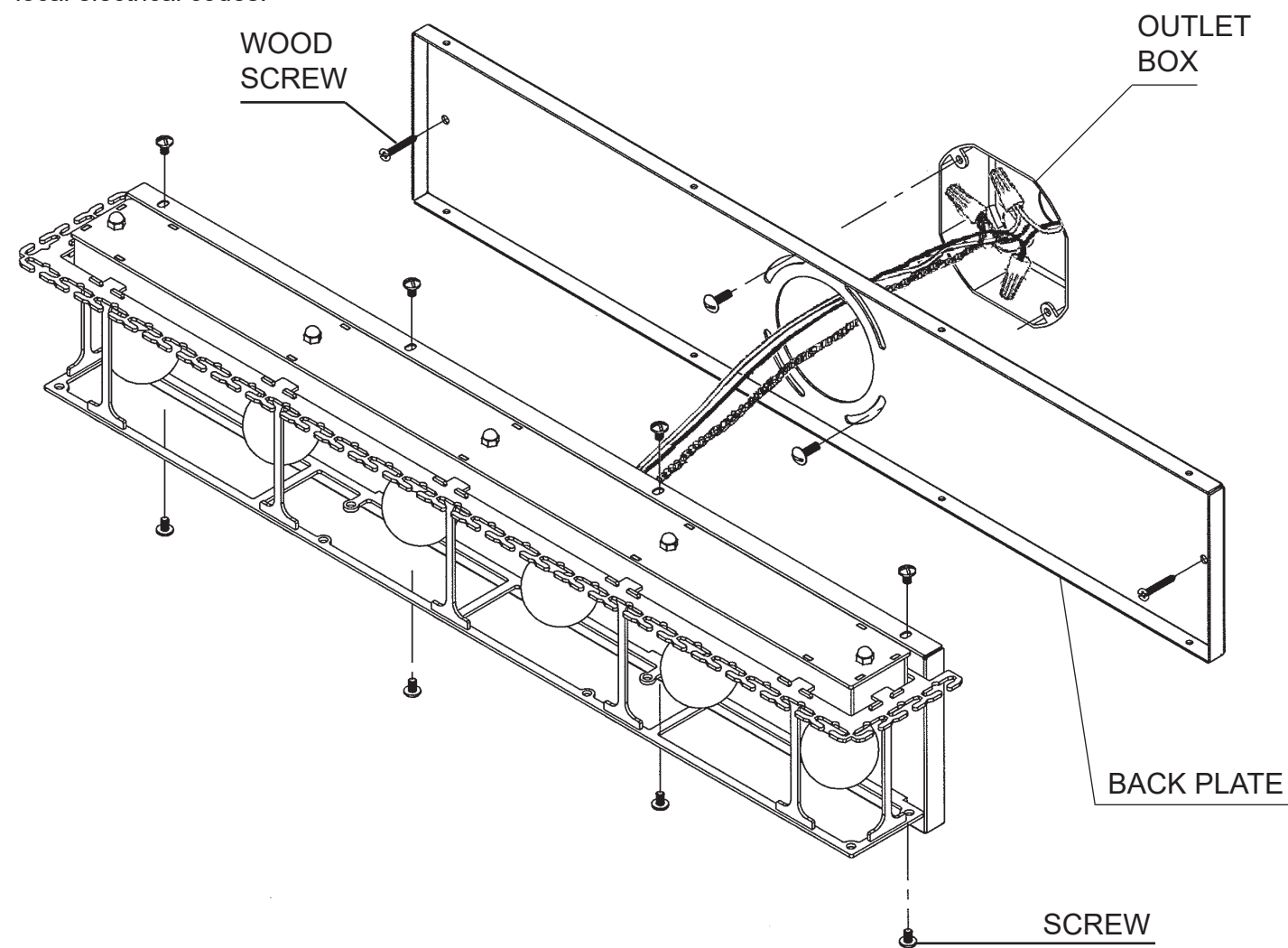
QUANTUM 2224-____ TRIM DIAGRAM

(Trim Option)

Instructions for electrician STEP 2 - 5



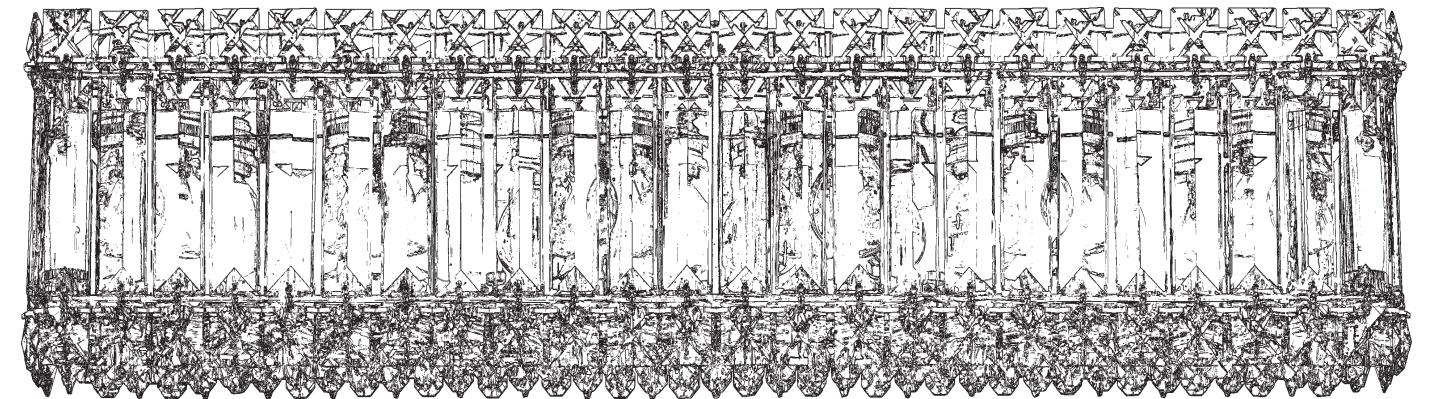
All electrical components must be installed by a licensed electrician in accordance with the National Electric Code and the appropriate local electrical codes.



3 Remove the (8) wall sconce screws and separate the back plate from the wall sconce. Feed stem and ground wires through back plate, then attach to power wires and ground wire in outlet box.

4 Attach back plate to the outlet box with (2) screws. Supplied are (2) wood screws to stop the wall sconce from pivoting.

5 Attach wall sconce to back plate and tighten the eight screws removed previously.



6 Lights
Length: 24"
Extension: 3-1/2"
Height: 5"
Weight: 9-1/2 lbs.

THIS DESIGN IS THE PROPRIETARY TRADE DRESS/TRADEMARK OF W SCHONBEK LLC .



**See diagram on back page
Follow steps in exact order
Save this trim diagram for future reference**

1 **IMPORTANT**
Person who opens carton should record the following information for future service.

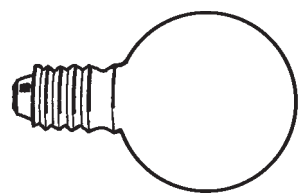
CODE # _____ Four-digit number on outside of carton.
PACKER # _____ See crystal package label.
ORDER # _____ See crystal package label.



Instructions for crystal trimming

STEPS 6 - 8

6



You will need 6 - G11
40 Watts Max
25 Watts recommended
(Supplied - Schonbek #: 30205)

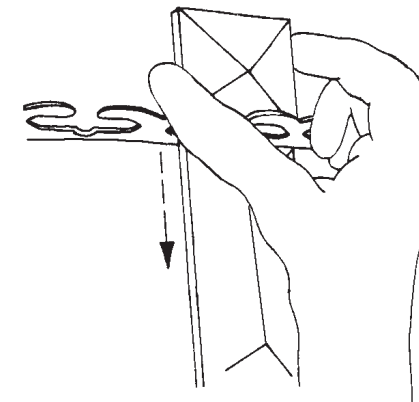
Install bulbs and be sure to test
fixture **BEFORE** trimming.



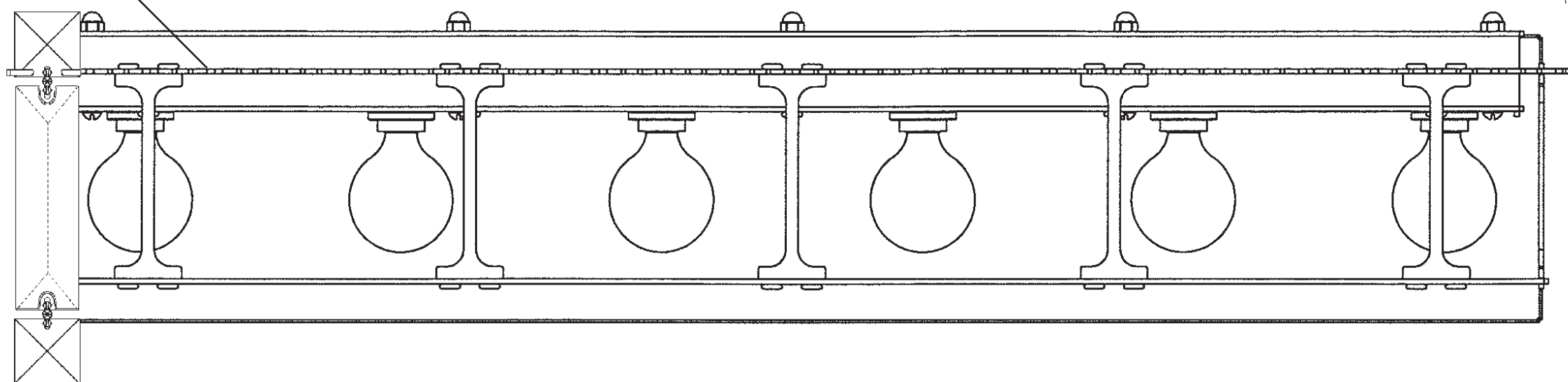
7 Install bottom crystal grid with eight thumb nuts (already screwed onto grid) to bottom of the wall sconce.

8 Hold chain "A" by the top square crystal. (NOTE: Flat side of large crystals face out and chains are also symmetrical so either end will work!) When trimming a ST fixture, alternate hanging A & A1 chains. Insert bottom square crystal into the pocket of bottom crystal grid. Then position the top connector (between the top two crystals) into the top plate pocket opening directly above the bottom crystal grid pocket. (Diagram #1) Lower the chain until the top square stone seats itself into the top plate pocket. When the chain is installed correctly, it will be held in place by both top and bottom pockets.

DIAGRAM
#1



TOP PLATE



A or A1

