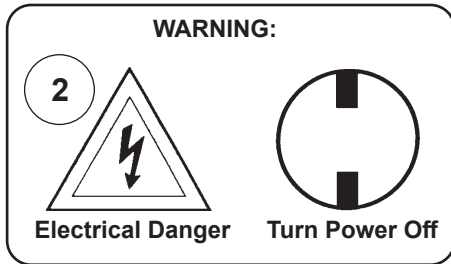
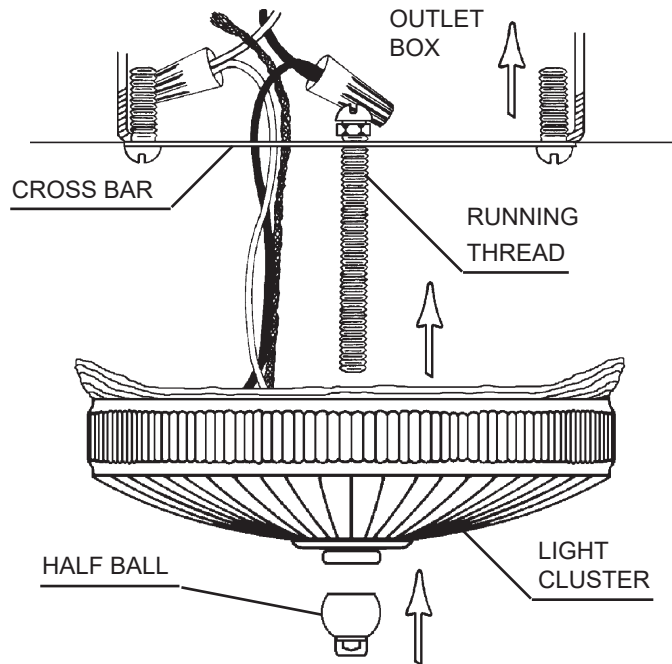


**Instructions for electrician  
STEPS 2 - 5**



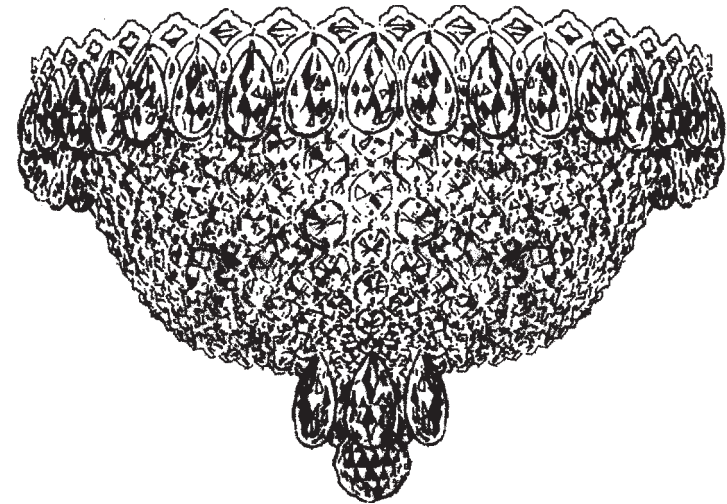
All electrical components must be installed by a licensed electrician in accordance with the National Electric Code and the appropriate local electrical codes.



- 3** Remove crossbar from light cluster and attach to outlet box.
- 4** Feed stem wires through crossbar and attach to power wires in outlet box. Fixture **MUST** be properly grounded.
- 5** Place light cluster over thread attached to crossbar and secure with round nut and half ball.

**CHANDELIER 2616-\_\_\_O TRIM DIAGRAM**

(Finish Option)



**T** HIS DESIGN IS THE PROPRIETARY TRADE DRESS/TRADemark OF W SCHONBEK LLC.

3 Lights  
Diameter: 11"  
Body Length: 7"  
Hanging Weight: 4 lbs.



**SCHONBEK** | 1870

**See diagram on back page  
Follow steps in exact order  
Save this trim diagram for future reference**

**1**

**IMPORTANT**

*Person who opens carton should record the following information for future service.*

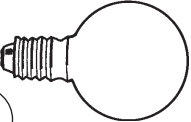
CODE # \_\_\_\_\_ Four-digit number on outside of carton.  
PACKER # \_\_\_\_\_ See crystal package label.  
ORDER # \_\_\_\_\_ See crystal package label.



# Instructions for crystal trimming

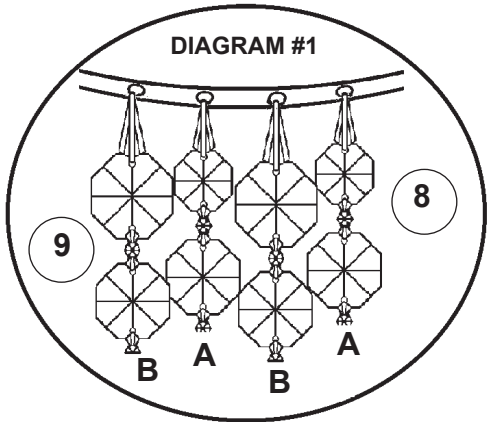
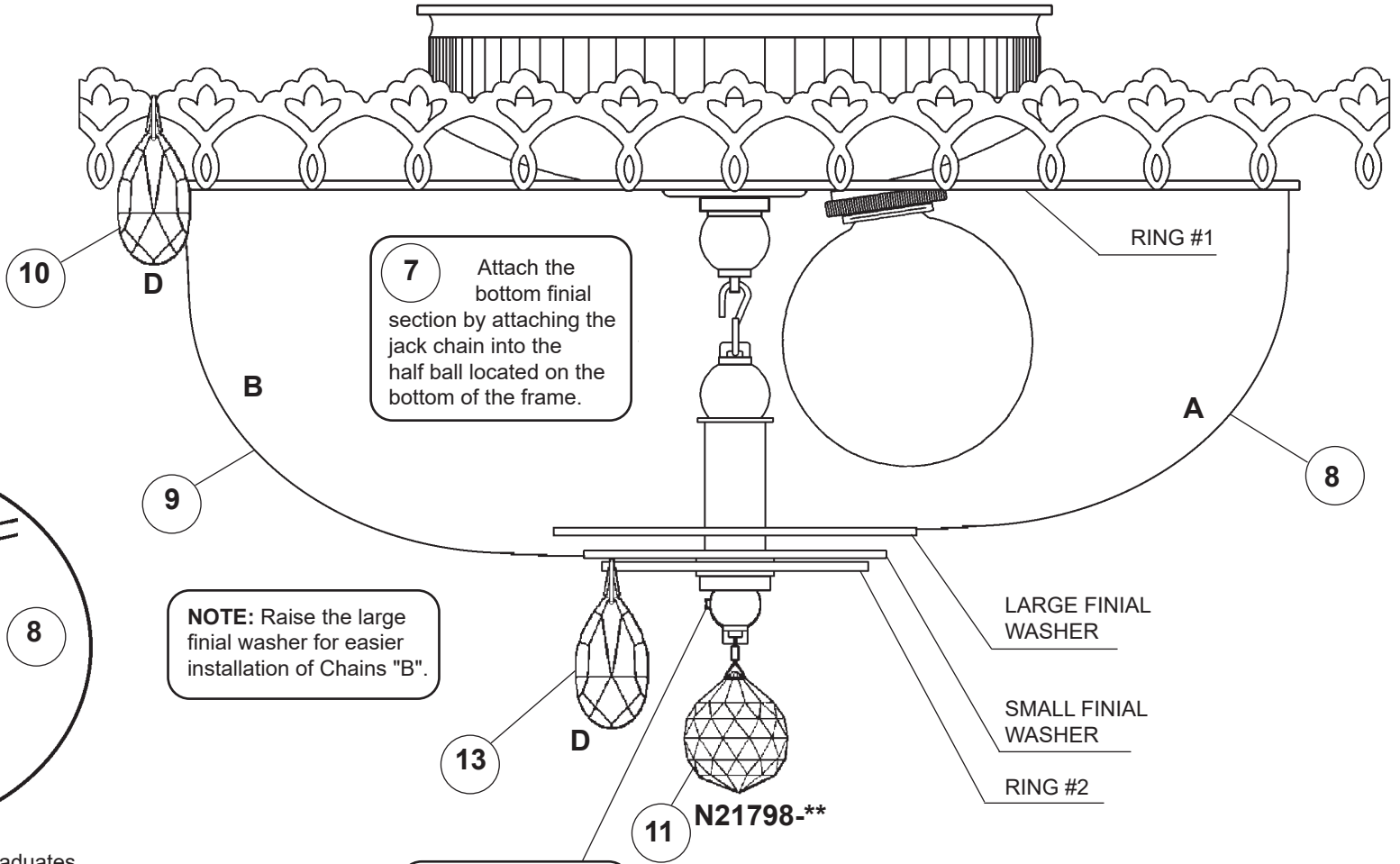
## STEPS 6 - 13

**6**



You will need 3 - G16-1/2  
25 Watts Recommended  
40 Watts Max  
MIN 90°C SUPPLY  
CONDUCTORS

Install bulb and be sure  
to test fixture BEFORE  
trimming.



**NOTE:** Larger jewels at top and graduates to smaller jewels toward bottom of chain.

**12**



Tighten With  
Tool Provided.

