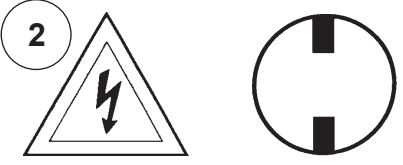


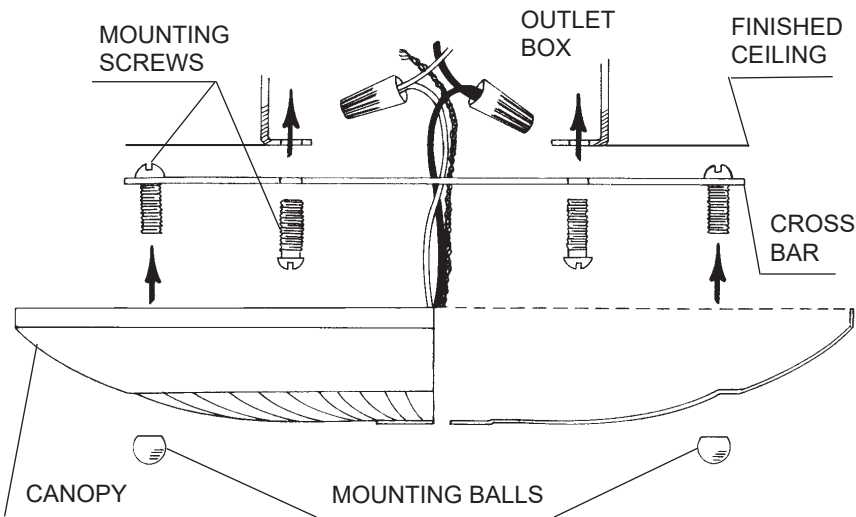
**Instructions for electrician
STEPS 2 - 5**

WARNING:

2 

Electrical Danger Turn Power Off

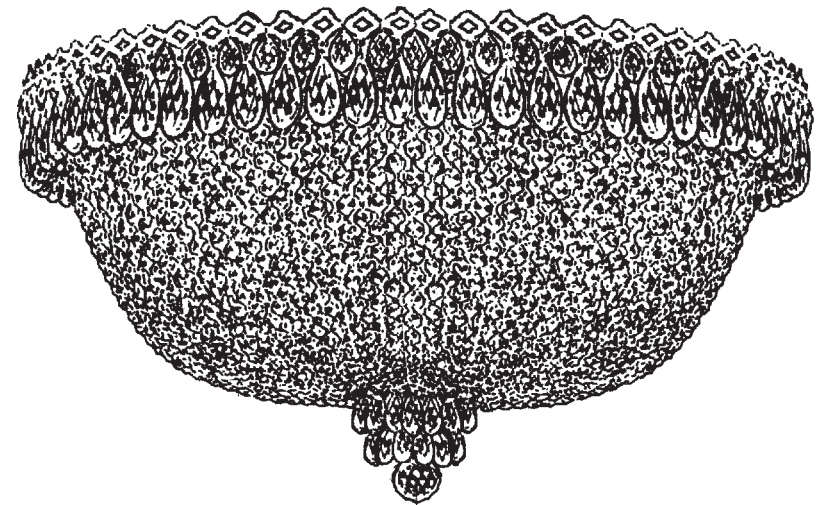
All electrical components must be installed by a licensed electrician in accordance with the National Electric Code and the appropriate local electrical codes.



- 3** Attach cross bar to outlet box.
- 4** Feed stem wires through crossbar and attach to power wires in outlet box. Fixture **MUST** be properly grounded.
- 5** Attach canopy to ceiling with mounting balls, thereby retaining complete fixture against ceiling.

CHANDELIER 2618-___O TRIM DIAGRAM

(Finish Option)



THIS DESIGN IS THE PROPRIETARY TRADE DRESS/TRADemark OF W SCHONBEK LLC.

6 Lights
Diameter: 19-1/2"
Body Length: 11"
Hanging Weight: 11 lbs.



**See diagram on back page
Follow steps in exact order
Save this trim diagram for future reference**

IMPORTANT


1 *Person who opens carton should record the following information for future service.*

CODE # _____ Four-digit number on outside of carton.
PACKER # _____ See crystal package label.
ORDER # _____ See crystal package label.



Instructions for crystal trimming

STEPS 6 - 15

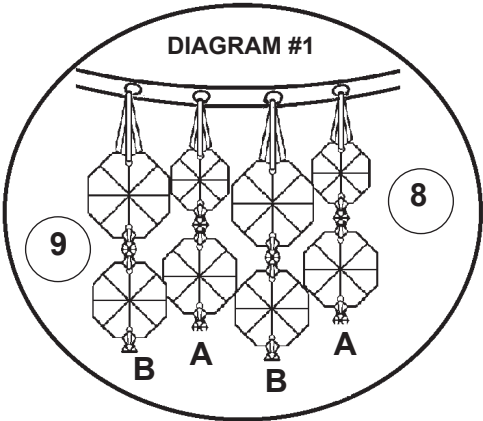


6

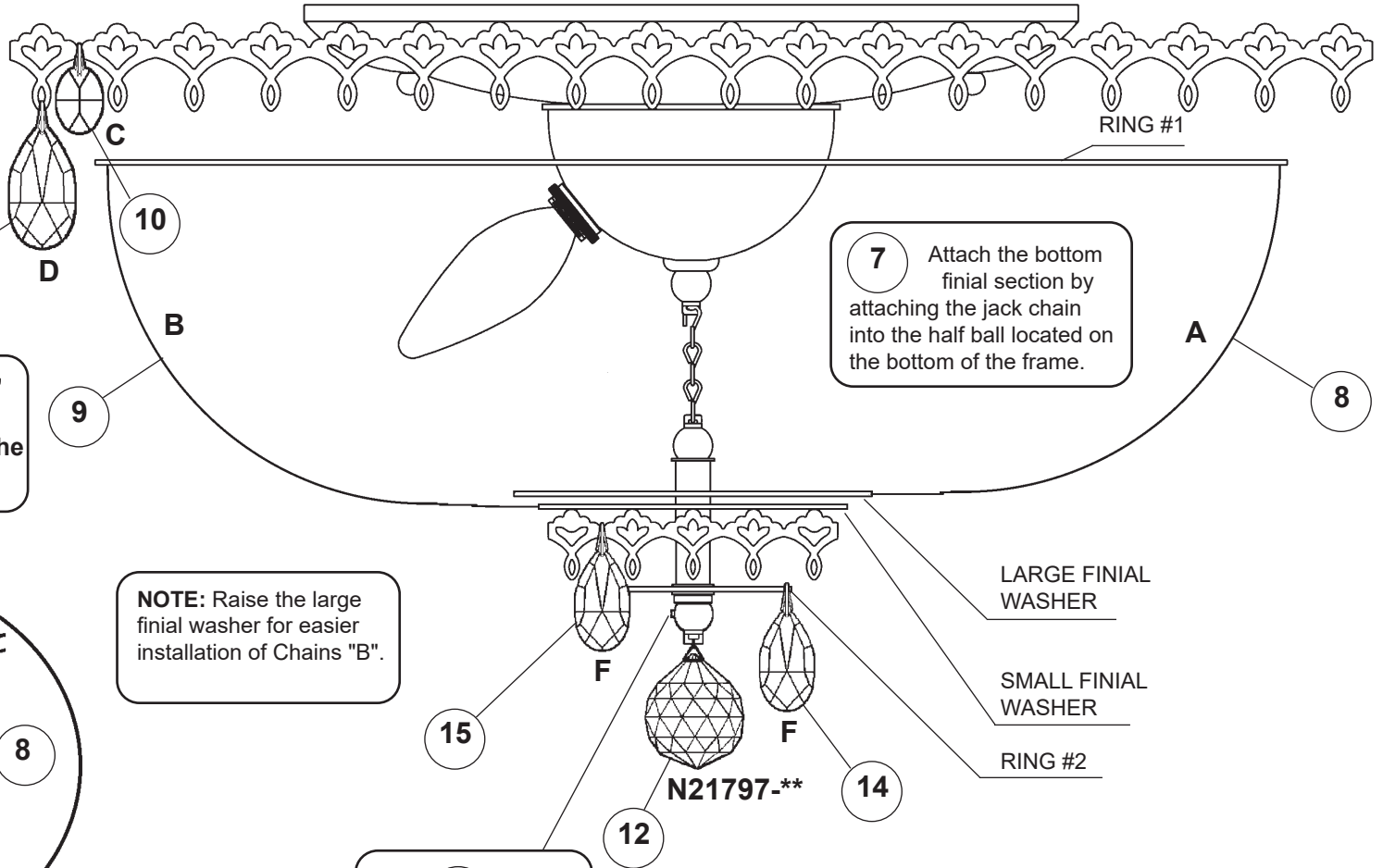
You will need 6 - B10
25 Watts Recommended
40 Watts Max
MIN 90°C SUPPLY
CONDUCTORS

Install bulb and be sure
to test fixture **BEFORE**
trimming.

NOTE: Hang drop "C"
from scallop, **NOT**
through the loop on the
gallery.



NOTE: Larger jewels at top and graduates
to smaller jewels toward bottom of chain.



13



Tighten With
Tool Provided.

