


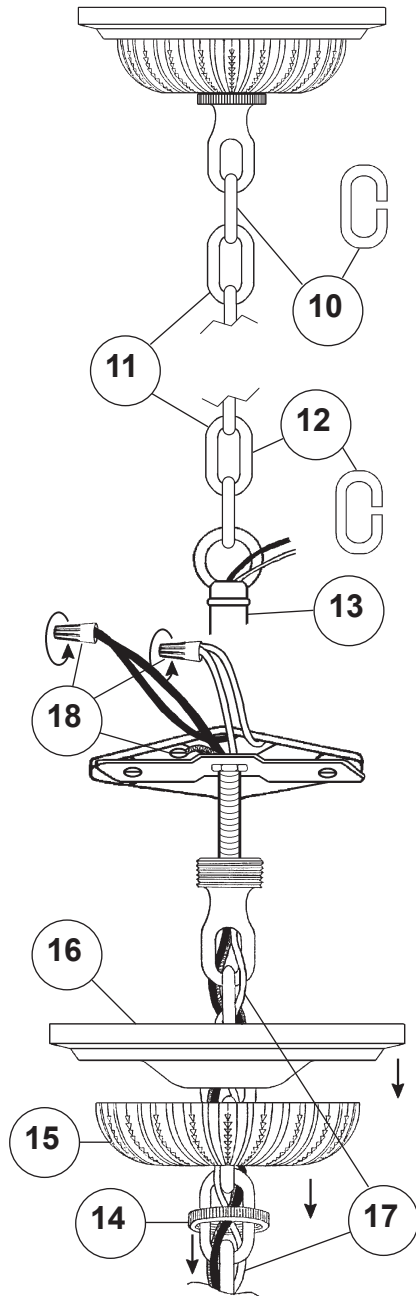
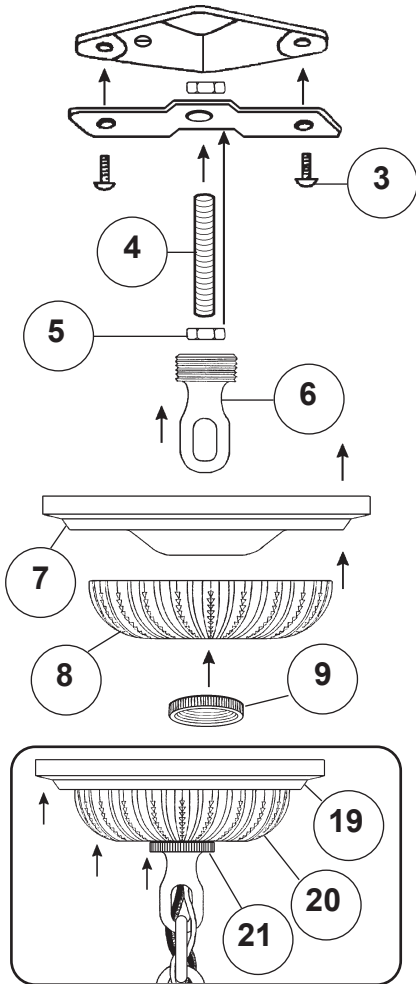
**Instructions for electrician**  
**STEPS 2 - 21**

**2** **WARNING:**



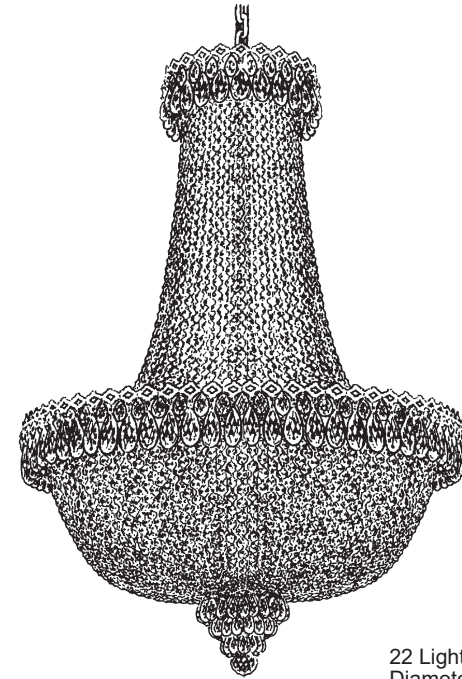
**Electrical Danger Turn Power Off**

All electrical components must be installed by a licensed electrician in accordance with the National Electric Code and the appropriate local electrical codes.



**CHANDELIER 2626-\_\_\_O TRIM DIAGRAM**

(Finish Option)



22 Lights  
Diameter: 24"  
Body Length: 36"  
Hanging Weight: 28 lbs.

THIS DESIGN IS THE PROPRIETARY  
TRADE DRESS/TRADEMARK OF  
W SCHONBEK LLC.



**SCHONBEK** | 1870

**See diagram on back page**  
**Follow steps in exact order**  
**Save this trim diagram for future reference**

**1** **IMPORTANT**  
*Person who opens carton should record the following information for future service.*


CODE # \_\_\_\_\_ Four-digit number on outside of carton.  
PACKER # \_\_\_\_\_ See crystal package label.  
ORDER # \_\_\_\_\_ See crystal package label.



# Instructions for crystal trimming

## STEPS 22 - 35

**22**

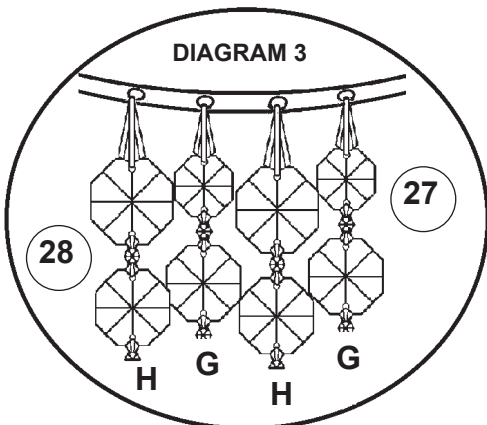


You will need 22 - B10  
25 Watts Recommended  
60 Watts Max

Install bulb and be sure  
to test fixture **BEFORE**  
trimming.

**23** Attach the bottom  
finial section by  
attaching the jackchain into  
the half ball located on the  
bottom of the frame.

**NOTE:** Hang drop "C"  
from scallop, **NOT**  
through the loop on the  
gallery.

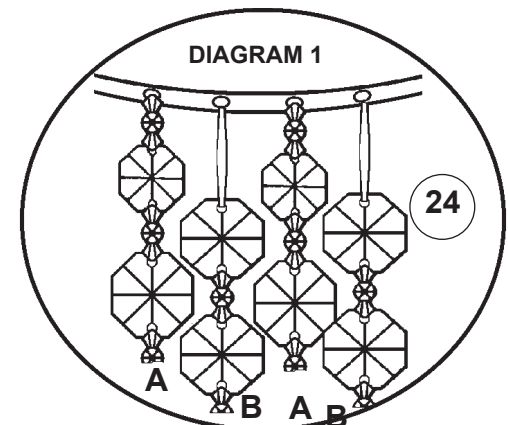
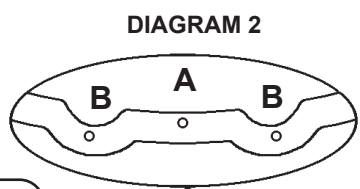


Large jewel at top and graduates to a  
smaller jewel toward bottom of chain.

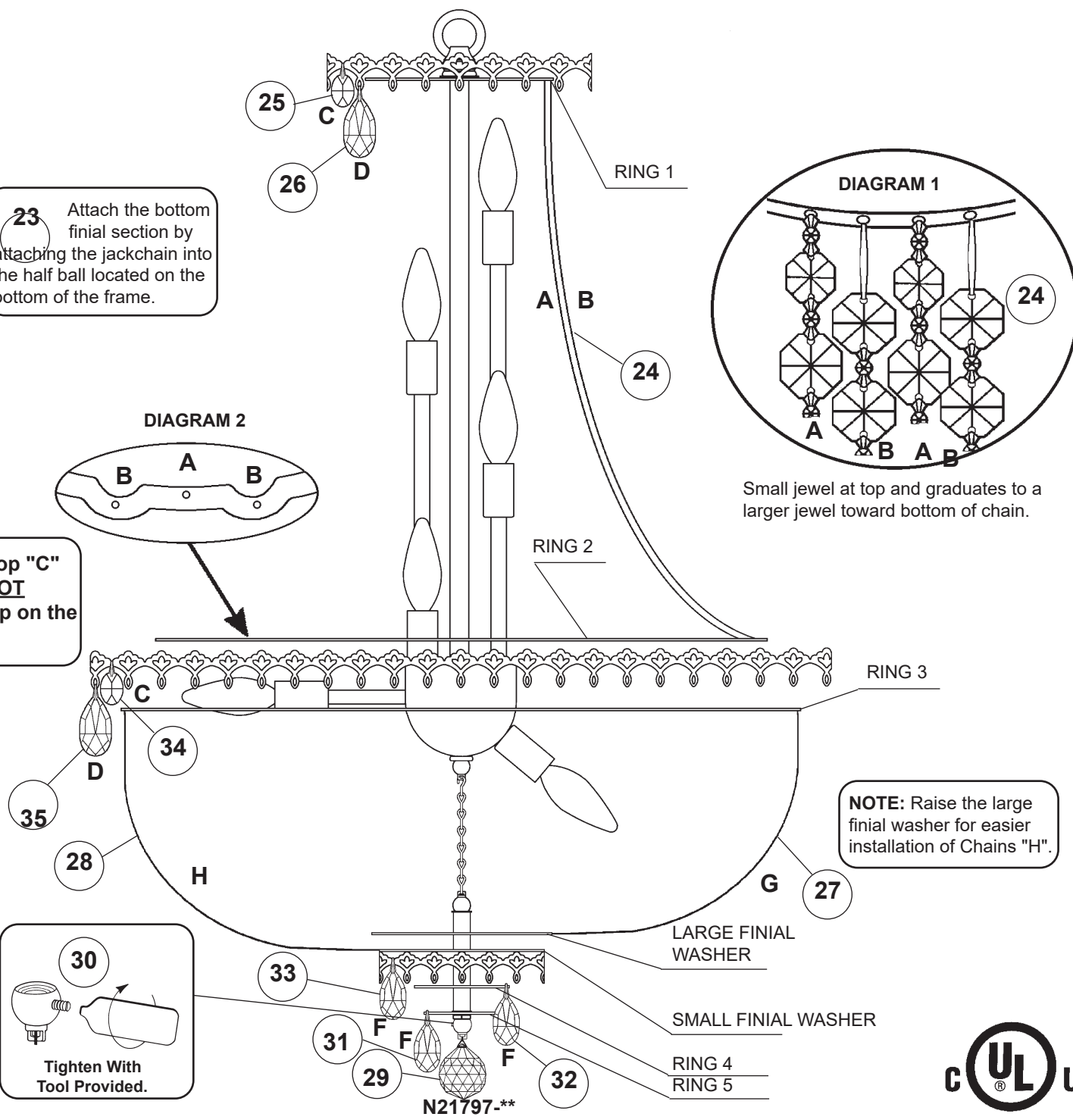
**30**



Tighten With  
Tool Provided.



Small jewel at top and graduates to a  
larger jewel toward bottom of chain.



**NOTE:** Raise the large  
finial washer for easier  
installation of Chains "H".

