


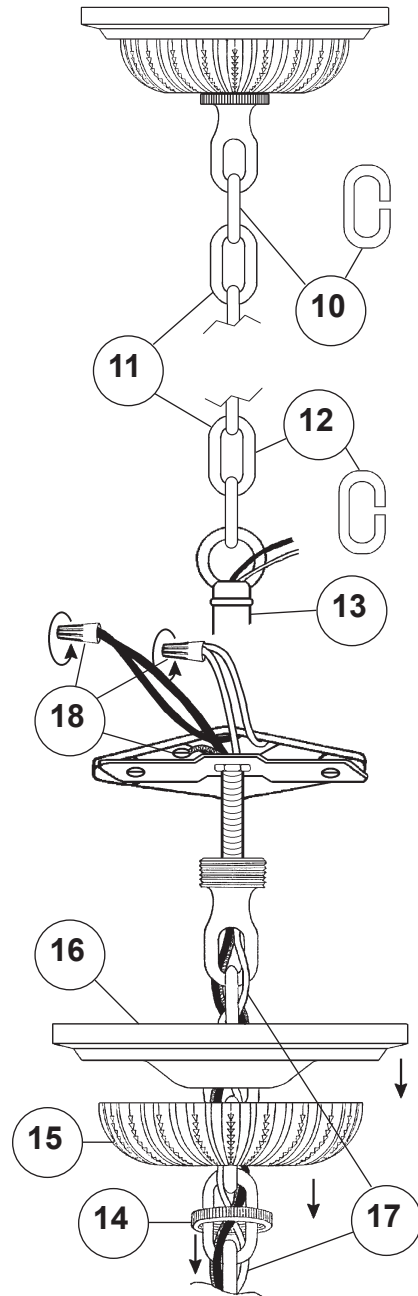
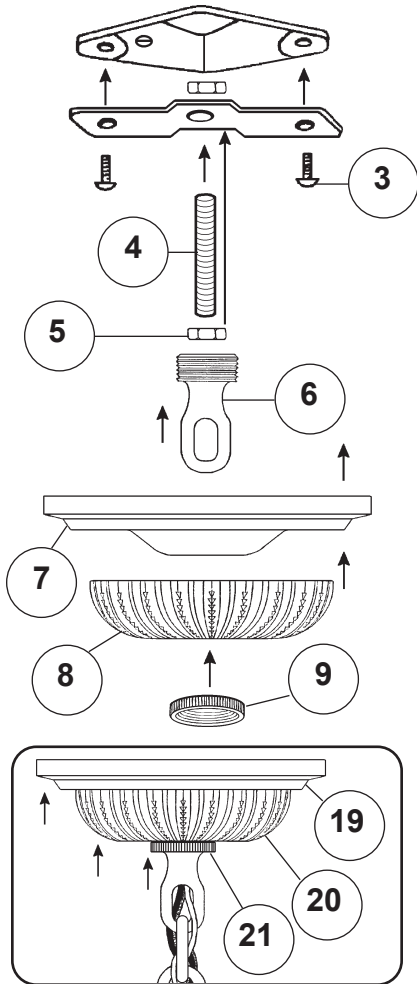
Instructions for electrician
STEPS 2 - 21

2 **WARNING:**



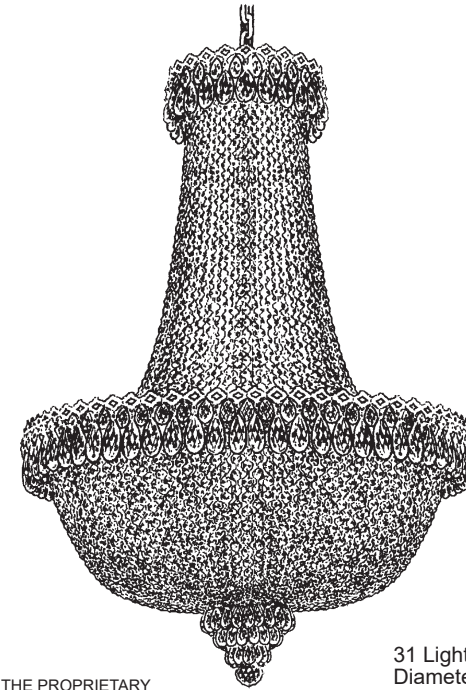
Electrical Danger Turn Power Off

All electrical components must be installed by a licensed electrician in accordance with the National Electric Code and the appropriate local electrical codes.



CHANDELIER 2628- _____ TRIM DIAGRAM

(Finish Option)



31 Lights
Diameter: 28"
Body Length: 40"
Hanging Weight: 36 lbs.

THIS DESIGN IS THE PROPRIETARY TRADE DRESS/TRADEMARK OF W SCHONBEK LLC.



See diagram on back page
Follow steps in exact order
Save this trim diagram for future reference


1 **IMPORTANT**
Person who opens carton should record the following information for future service.

CODE # _____ Four-digit number on outside of carton.
PACKER # _____ See crystal package label.
ORDER # _____ See crystal package label.



Instructions for crystal trimming
STEPS 22 - 35

22

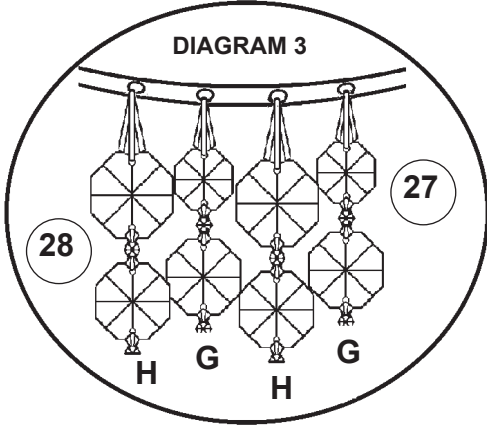


You will need 31 - B10
25 Watts Recommended
60 Watts Max

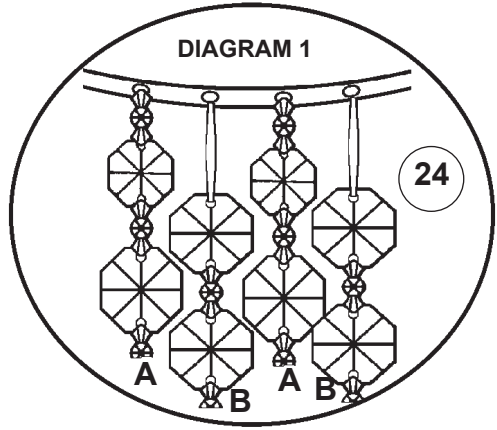
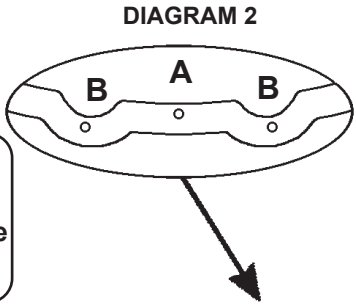
**Install bulb and be sure
to test fixture BEFORE
trimming.**

23 Attach the bottom
finial section by
attaching the jackchain into
the half ball located on the
bottom of the frame.

**NOTE: Hang drop "C"
from scallop, NOT
through the loop on the
gallery.**



Large jewel at top and graduates to a
smaller jewel toward bottom of chain.

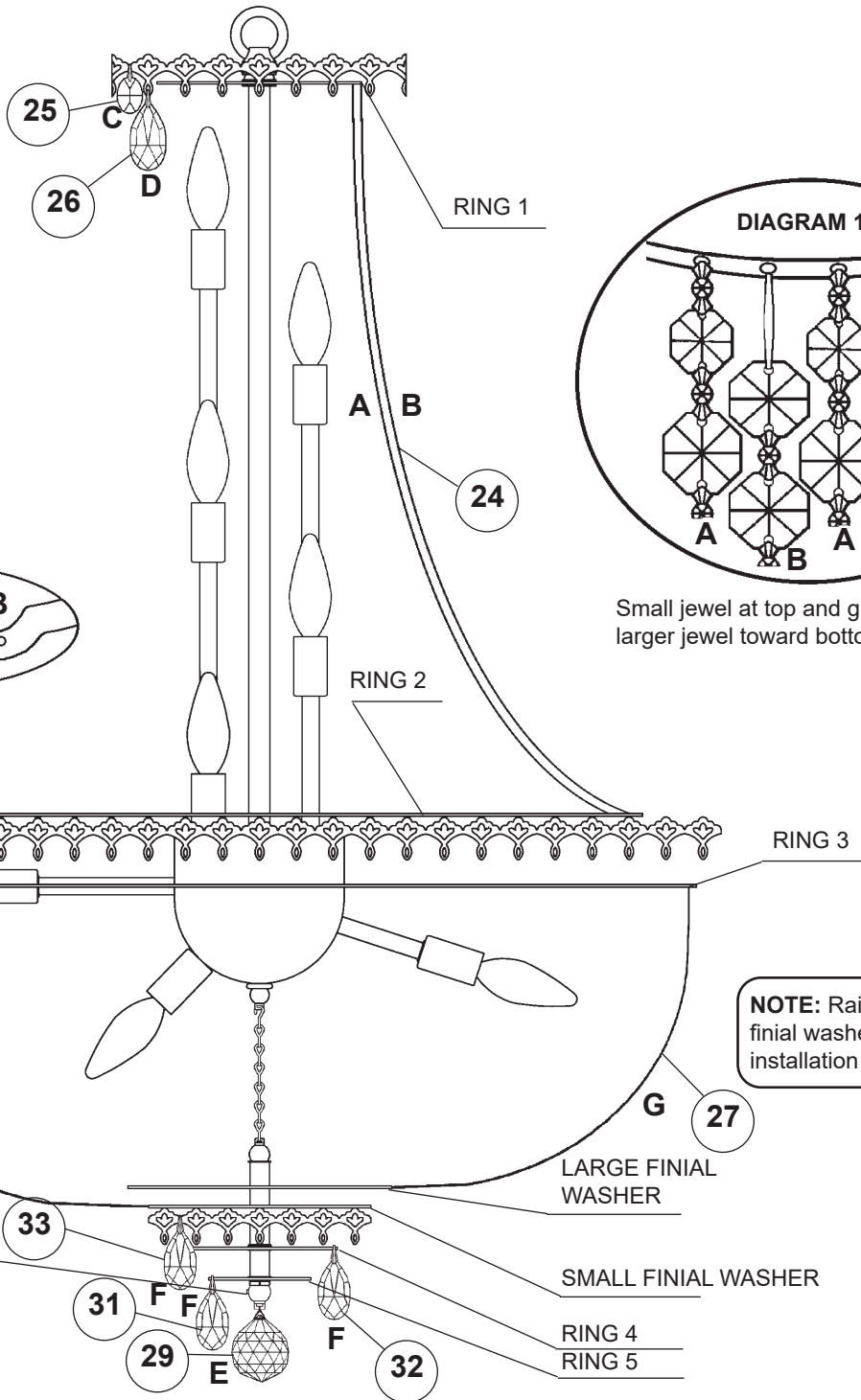


Small jewel at top and graduates to a
larger jewel toward bottom of chain.

30



**Tighten With
Tool Provided.**



**NOTE: Raise the large
finial washer for easier
installation of Chains "H".**

