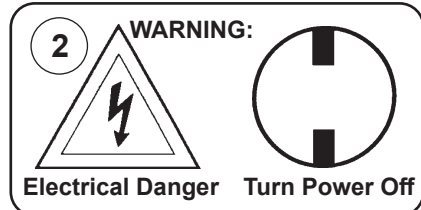
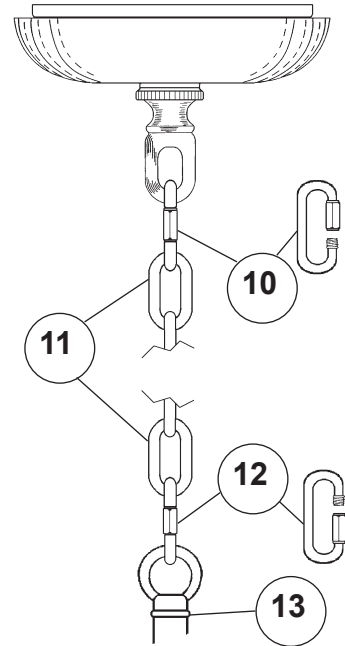
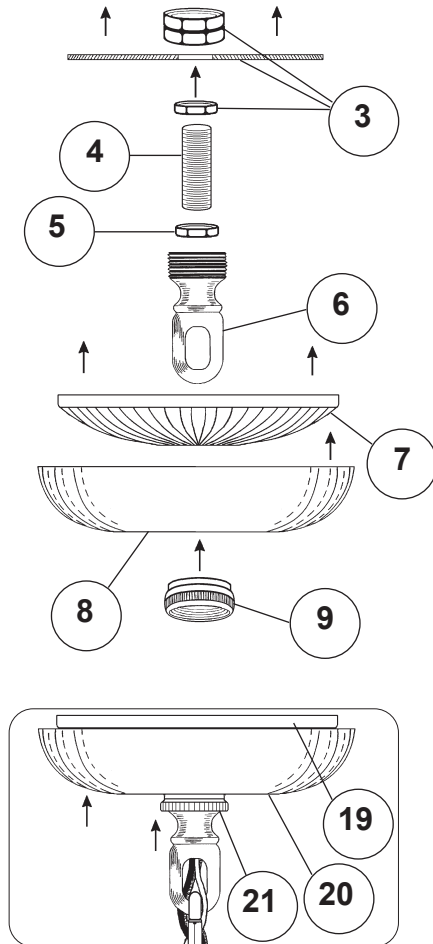


## Instructions for electrician STEPS 2 - 21

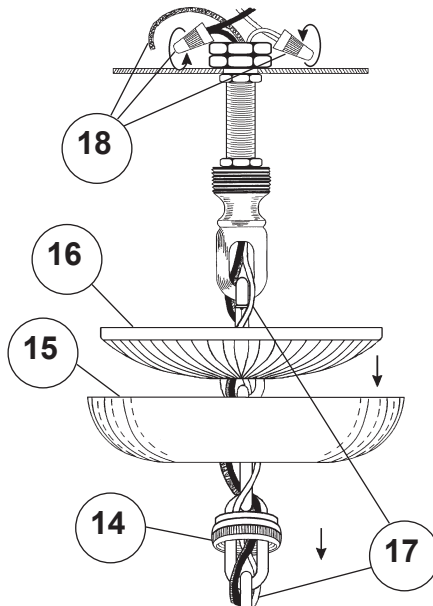
**WARNING:** THIS LUMINAIRE MUST BE MOUNTED OR SUPPORTED INDEPENDENTLY OF AN OUTLET BOX.



All electrical components must be installed by a licensed electrician in accordance with the National Electric Code and the appropriate local electrical codes.

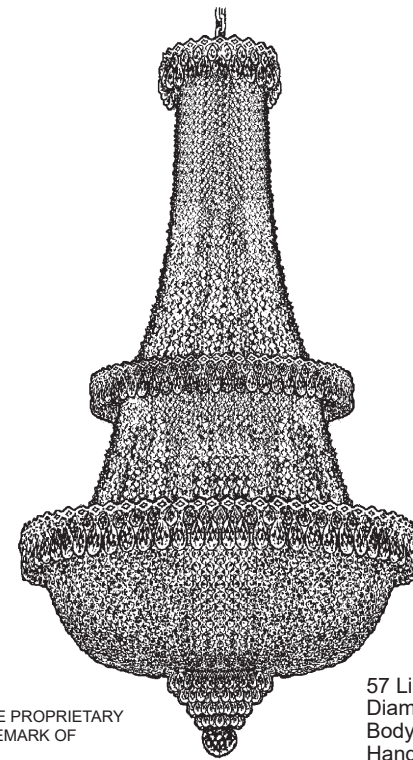


**NOTE:**  
SLIDE LOOSE RING 2 ONTO  
FRAME BEFORE ATTACHING  
FRAME TO CHAIN!



## CHANDELIER 2642-\_\_\_O TRIM DIAGRAM

(Finish Option)



**T** HIS DESIGN IS THE PROPRIETARY  
TRADE DRESS/TRADEMARK OF  
W SCHONBEK LLC.

57 Lights  
Diameter: 34"  
Body Length: 60"  
Hanging Weight: 66 lbs.



# SCHONBEK

1870

**See diagram on back page  
Follow steps in exact order  
Save this trim diagram for future reference**

**1**

### IMPORTANT

Person who opens carton should record the following information for future service.


CODE # \_\_\_\_\_ Four-digit number on outside of carton.  
PACKER # \_\_\_\_\_ See crystal package label.  
ORDER # \_\_\_\_\_ See crystal package label.



# Instructions for crystal trimming

## STEPS 22 - 36

**22**

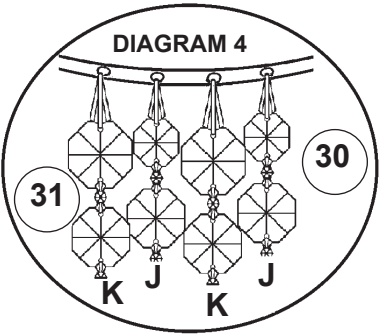
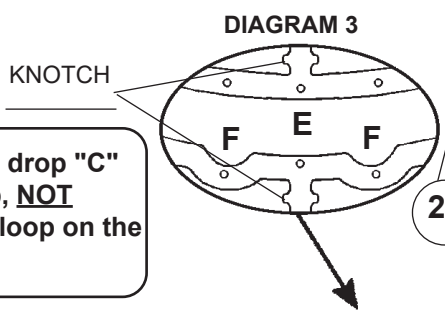


You will need 57 - B10  
25 Watts Recommended  
60 Watts Max

**Install bulb and be sure  
to test fixture BEFORE  
trimming.**

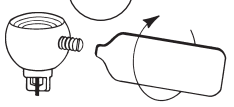
**23** Attach the bottom  
finial section by  
attaching the jackchain into  
the half ball located on the  
bottom of the frame.

**NOTE: Hang drop "C"  
from scallop, NOT  
through the loop on the  
gallery.**

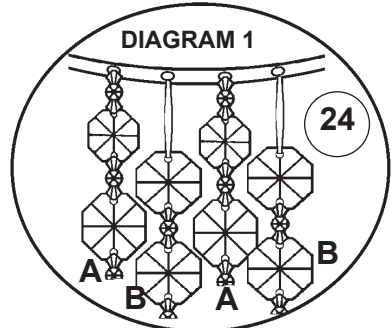
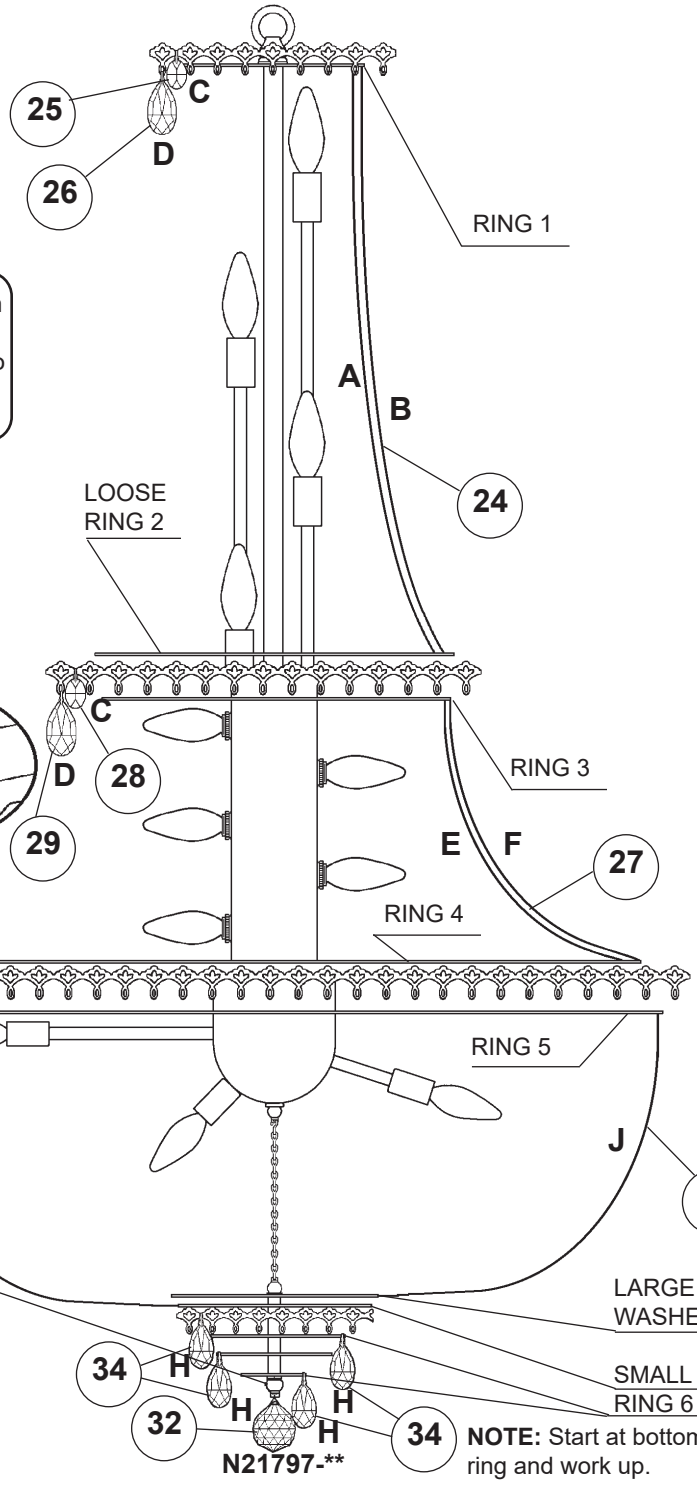


Large jewel at top and graduates  
to a smaller jewel toward bottom of  
chain.

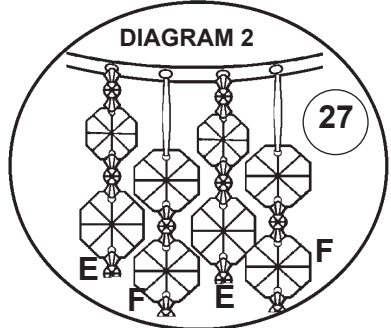
**33**



**Tighten With  
Tool Provided.**



Small jewel at top and graduates  
to a larger jewel toward bottom of  
chain.



Large jewel at top and graduates  
to a smaller jewel toward bottom of  
chain.  
Start Chains "E" in hole of knotch  
on ring 3 and other end in hole of  
knotch on ring 4 (see diagram 3).

**NOTE: Raise the large  
finial washer for easier  
installation of Chains "K".**

**34** **NOTE: Start at bottom  
ring and work up.**

