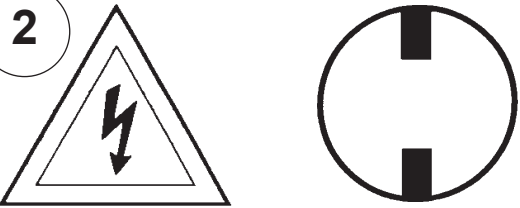


Instructions for electrician
STEPS 2 - 21

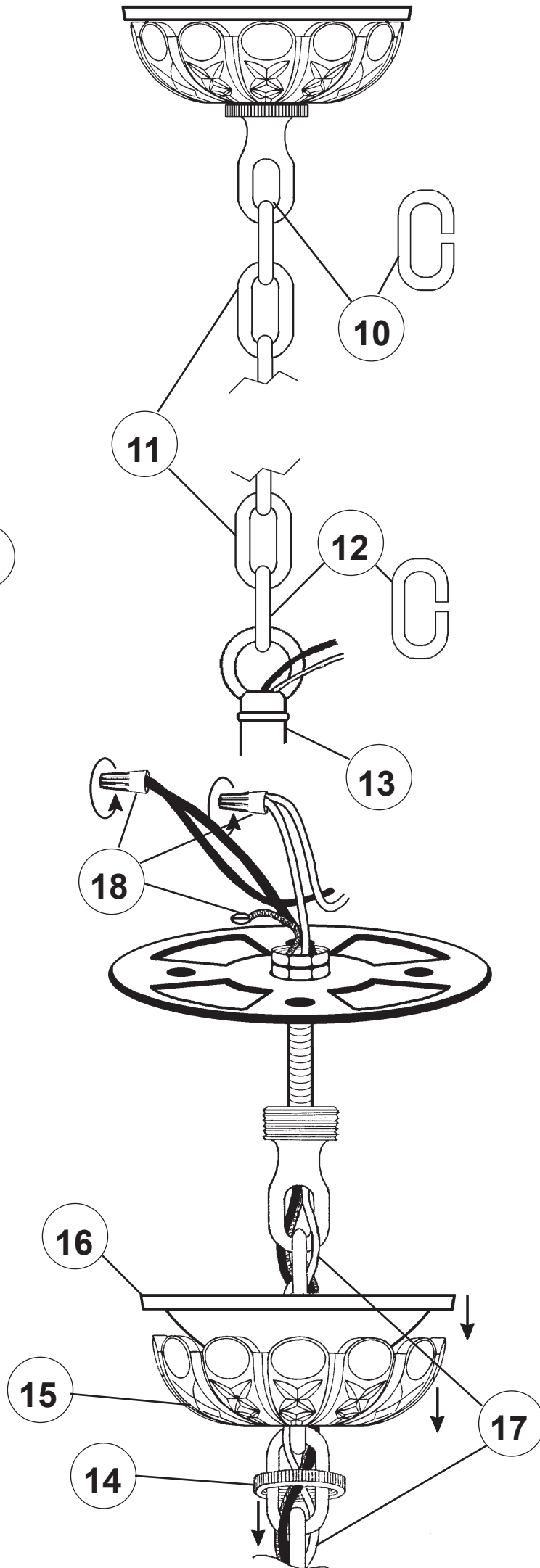
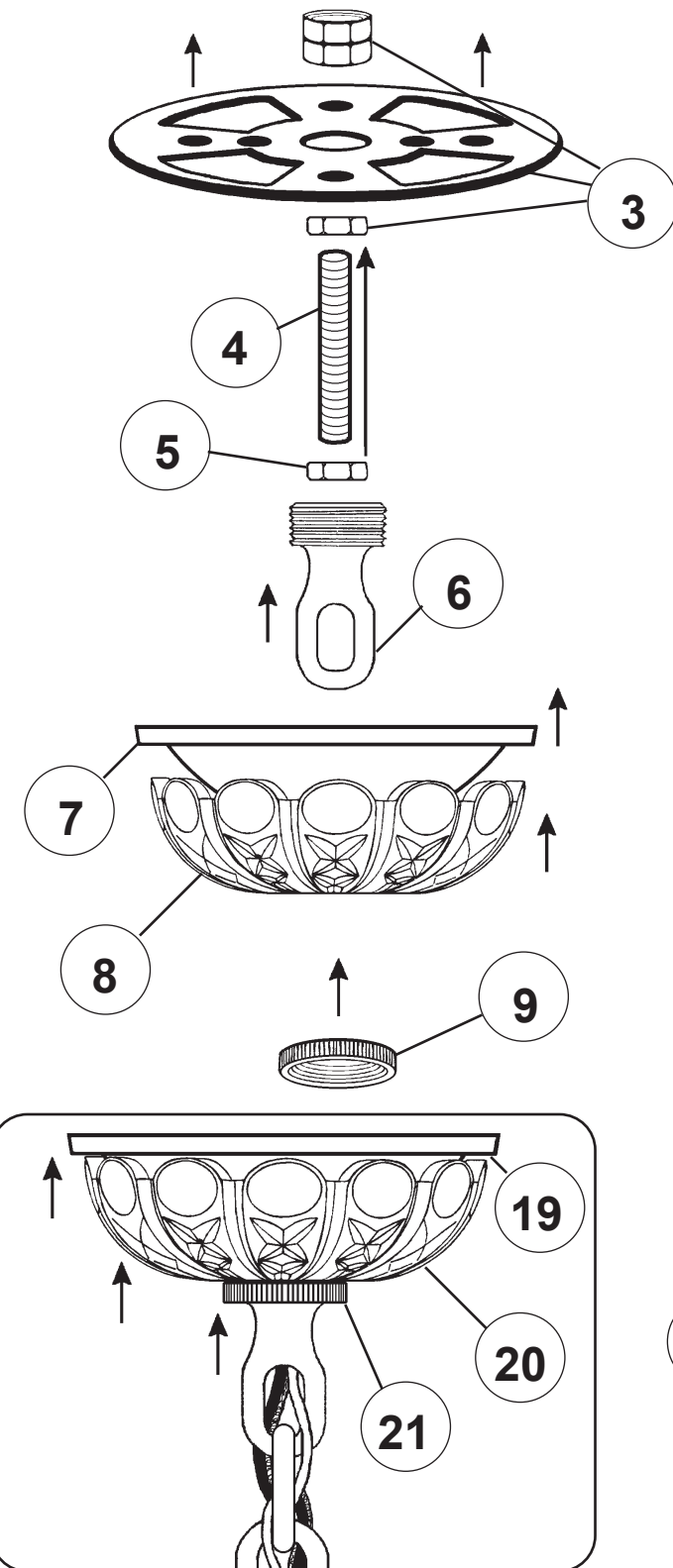
WARNING: THIS LUMINAIRE MUST BE MOUNTED OR SUPPORTED INDEPENDENTLY OF AN OUTLET BOX.

WARNING:

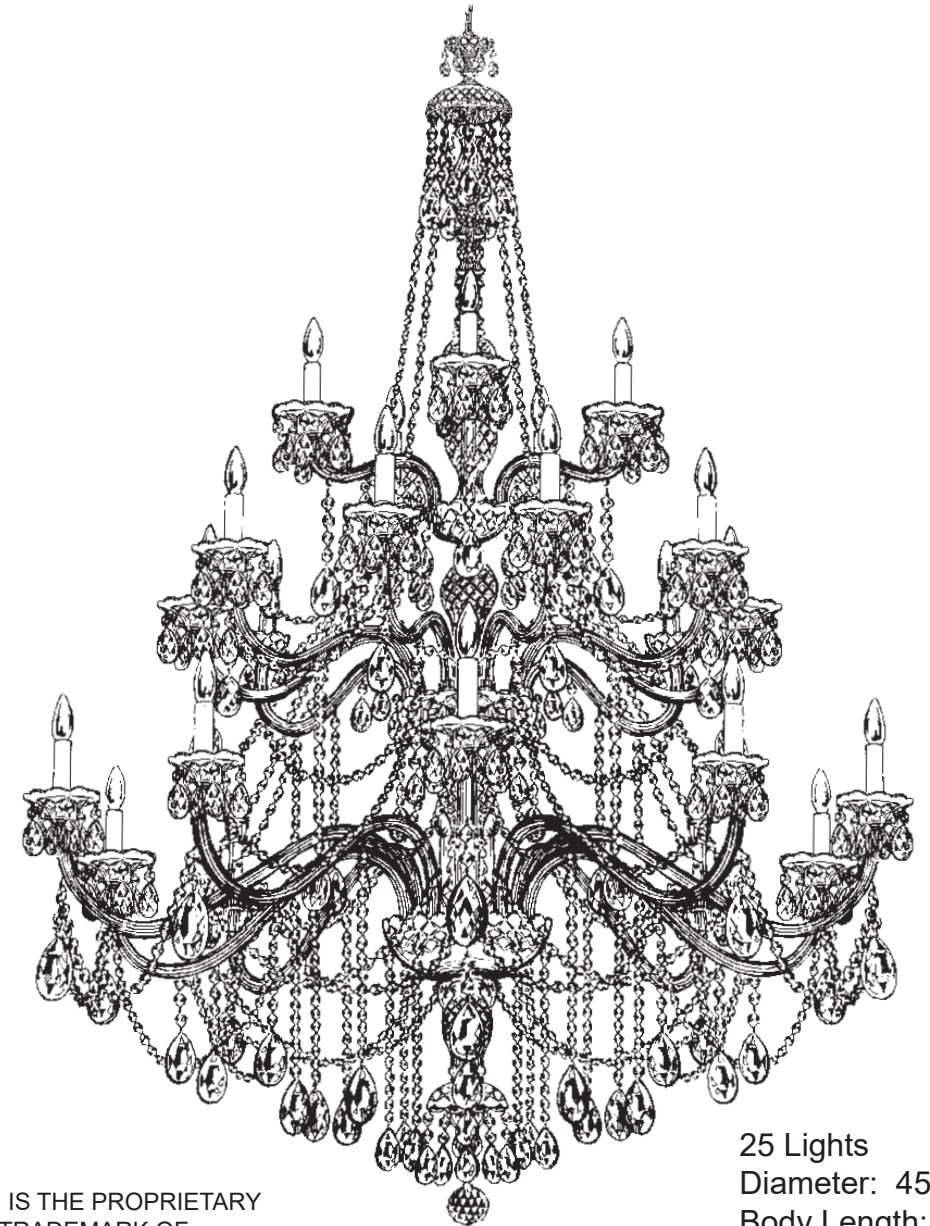


Electrical Danger Turn Power Off

All electrical components must be installed by a licensed electrician in accordance with the National Electric Code and the appropriate local electrical codes.



CHANDELIER 3610-____H TRIM DIAGRAM
(Finish Option)



25 Lights
Diameter: 45"
Body Length: 61"
Hanging Weight: 70 pounds

THIS DESIGN IS THE PROPRIETARY TRADE DRESS/TRADEMARK OF W SCHONBEK LLC.



See diagram on back page
Follow steps in exact order
Save this trim diagram for future reference

1 IMPORTANT
Person who opens carton should record the following information for future service.

CODE # _____	Four-digit number on outside of carton.
PACKER # _____	See crystal package label.
ORDER # _____	See crystal package label.

