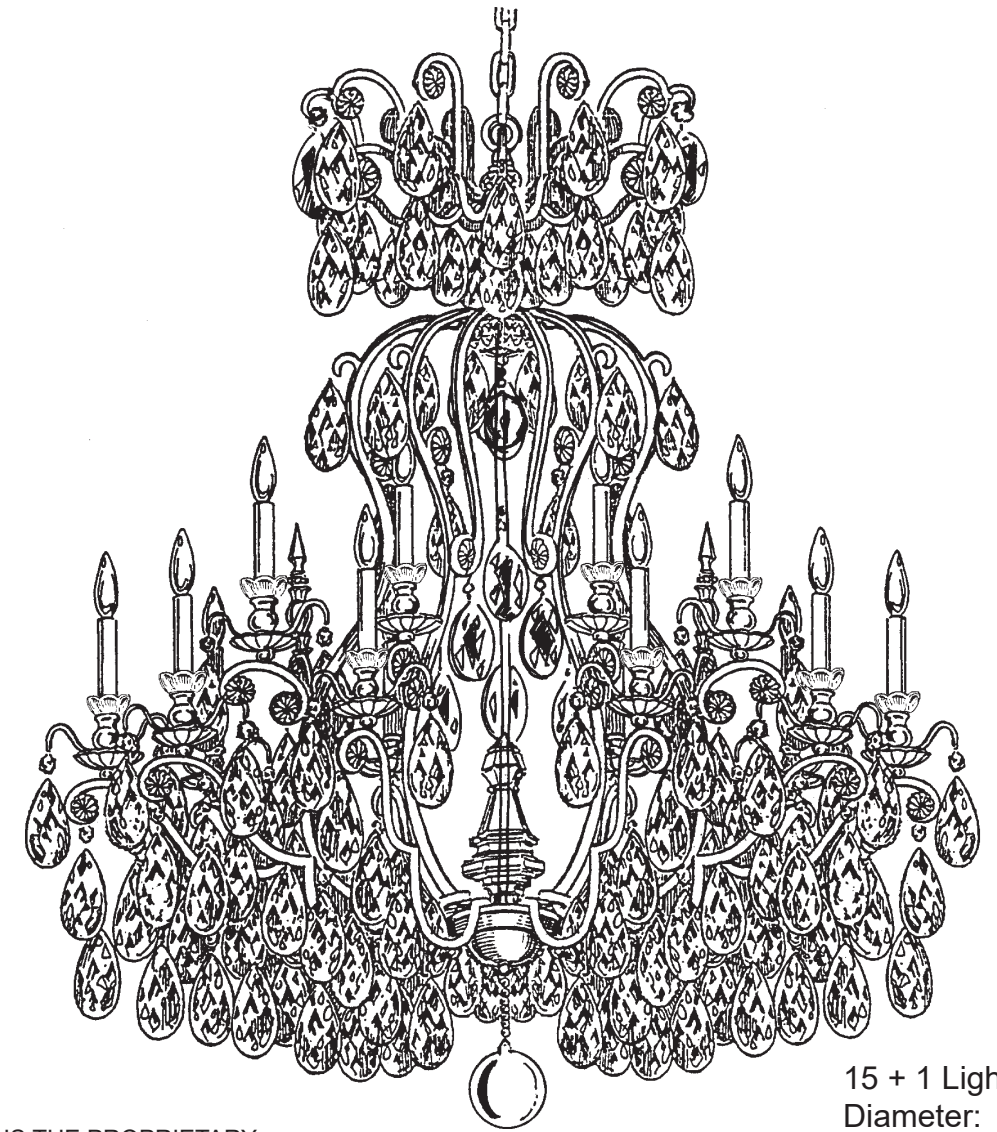


RENAISSANCE 3773- ____













15 + 1 Lights
Diameter: 38"
Body Length: 44"
Hanging Weight: 93 lbs.

THIS DESIGN IS THE PROPRIETARY
TRADE DRESS/TRADEMARK OF
W SCHONBEK LLC.

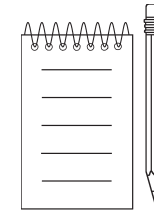
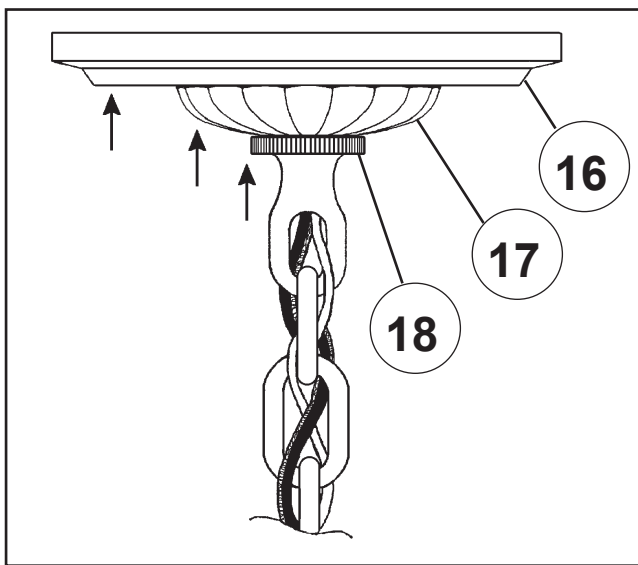
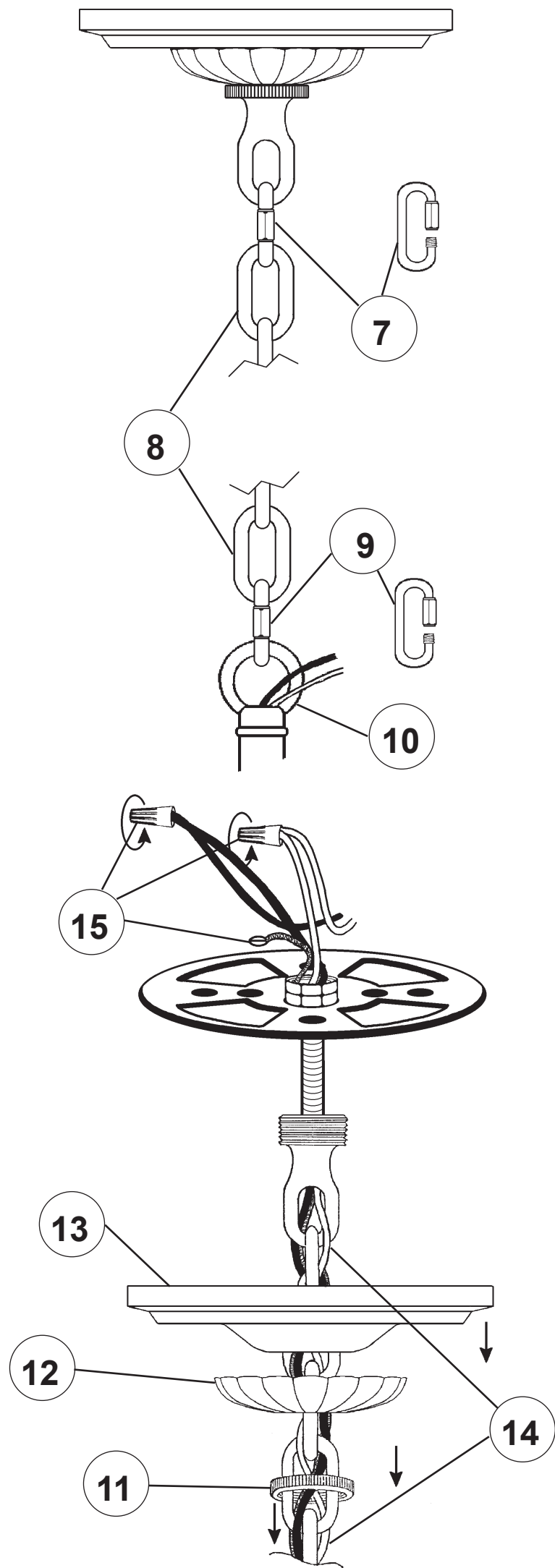
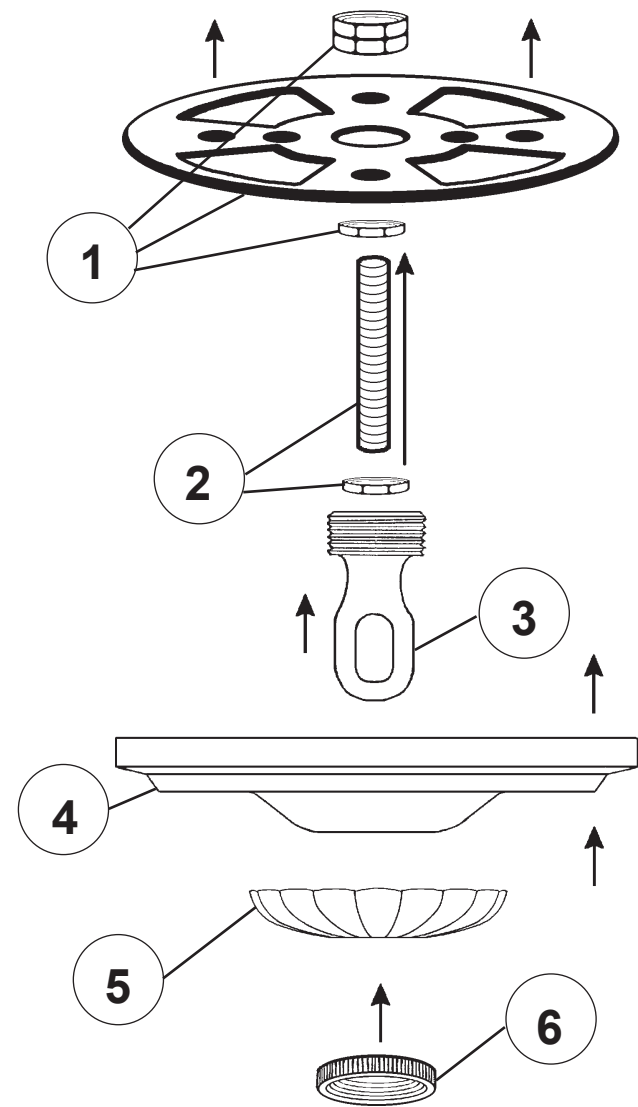
 **SCHONBEK** | 1870

 **SCHONBEK** | 1870

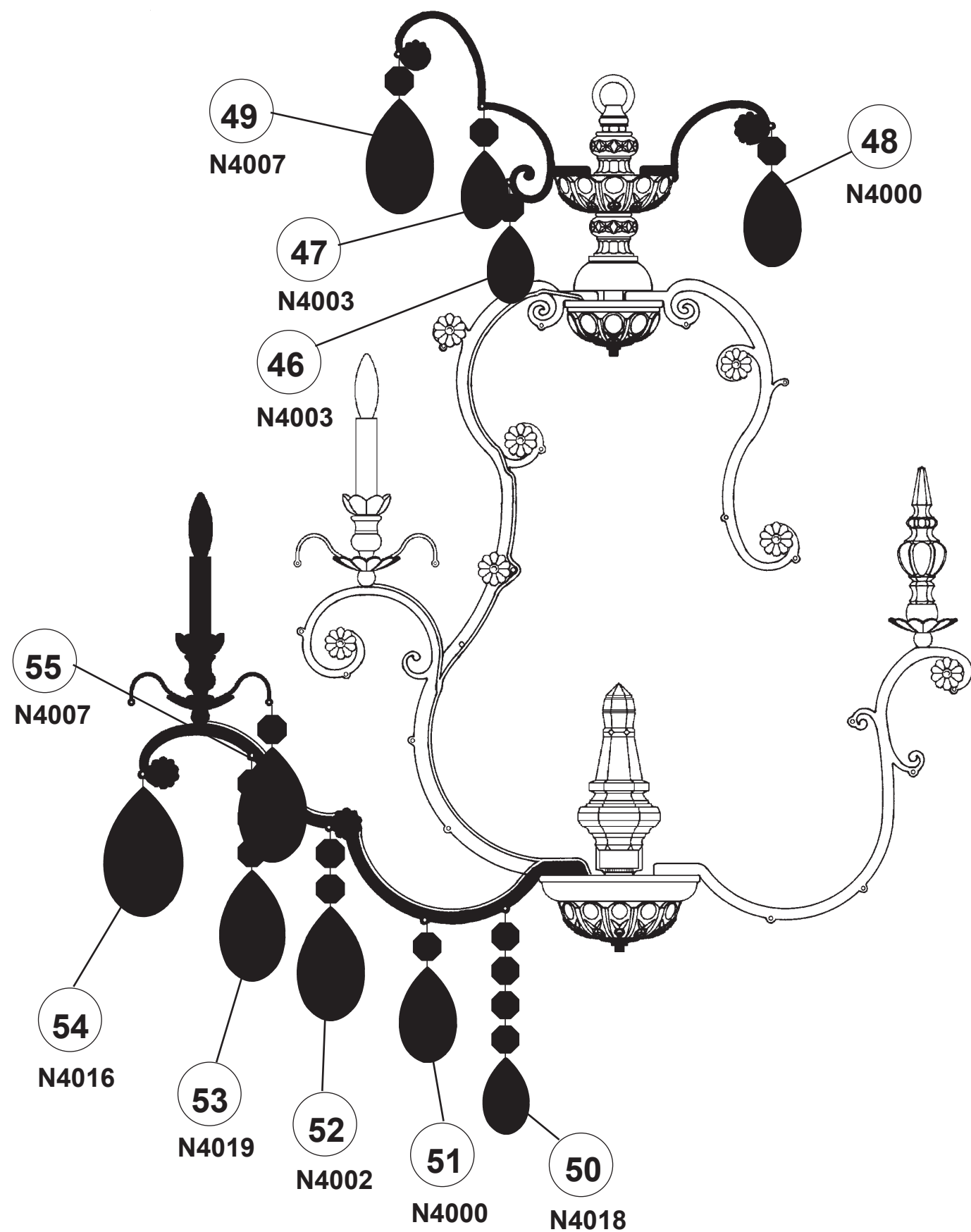
								
MAX 60 W	MAX 15 W	110-120 V						

All electrical components must be installed by a licensed electrician in accordance with the National Electric Code and the appropriate local electrical codes.

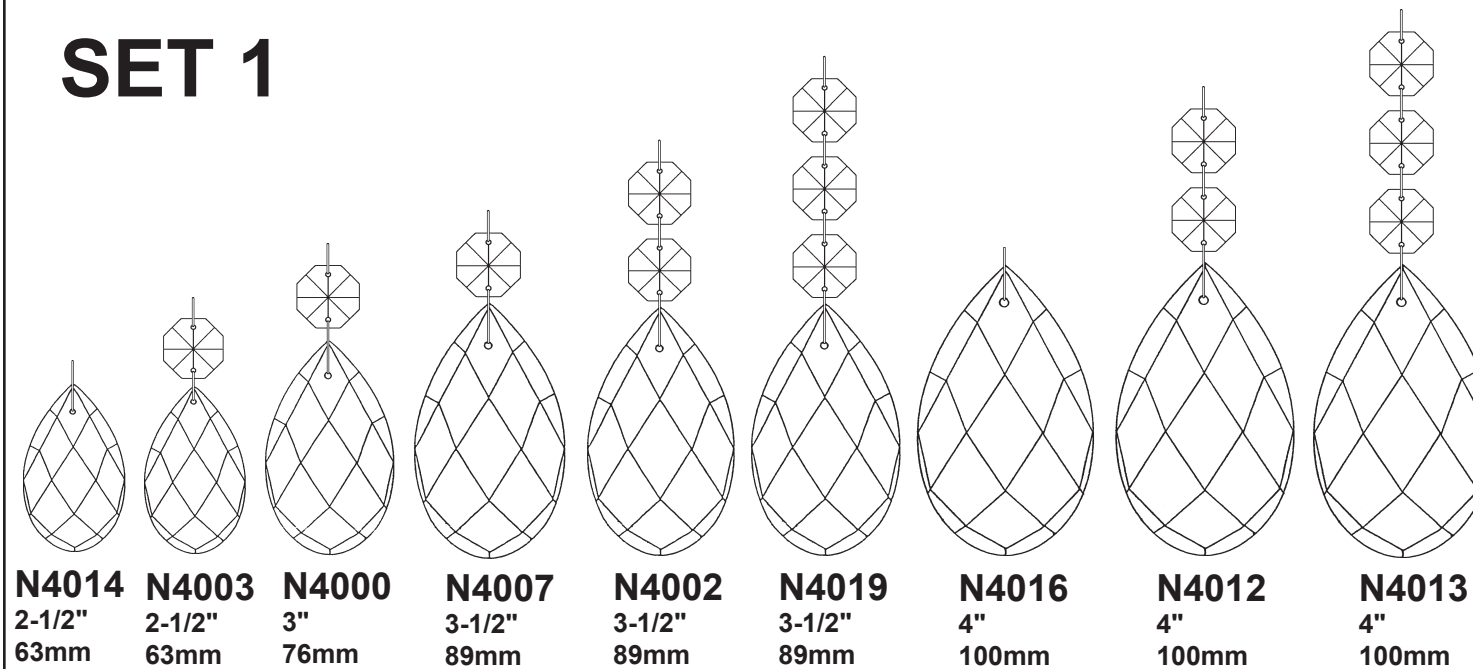
WARNING: THIS LUMINAIRE MUST BE MOUNTED OR SUPPORTED INDEPENDENTLY OF AN OUTLET BOX.



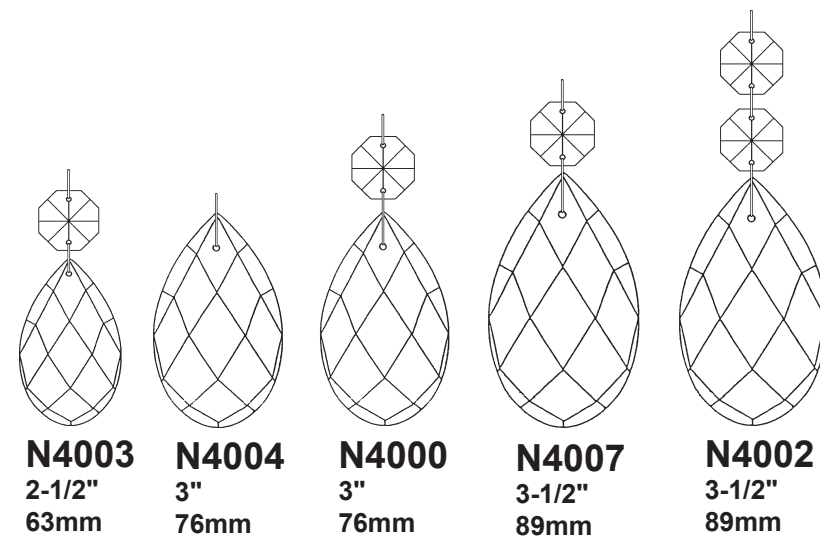
Crystal Set 3 in Black



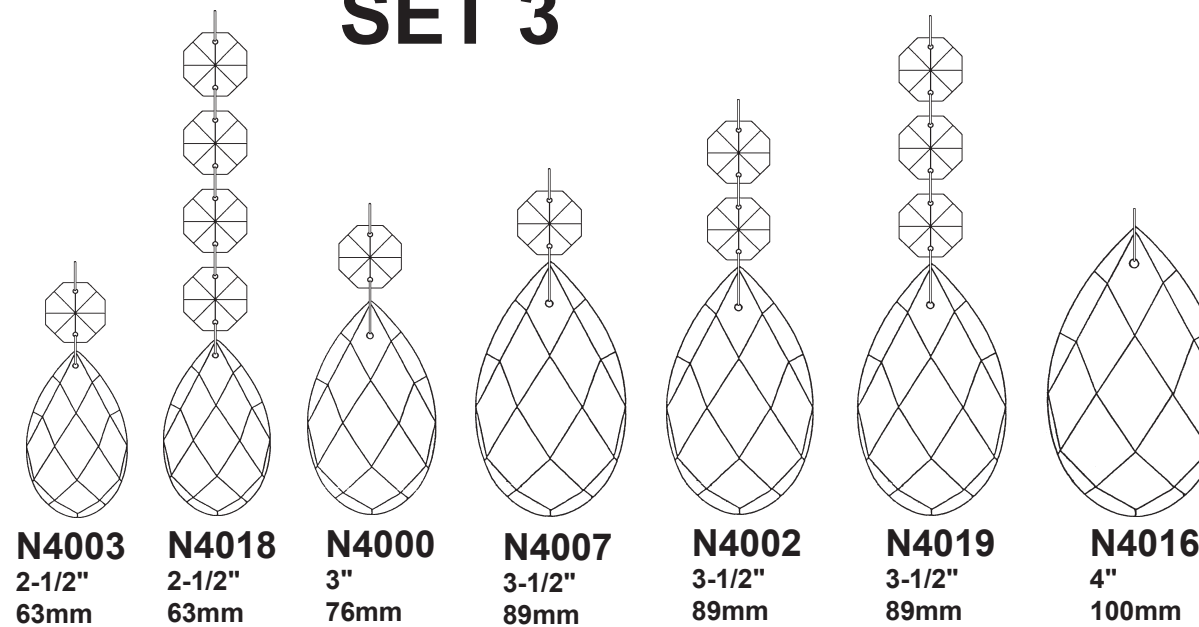
SET 1

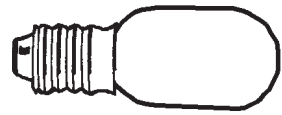


SET 2



SET 3





You will need 1 - T7
15 Watts Max
(Center Light)

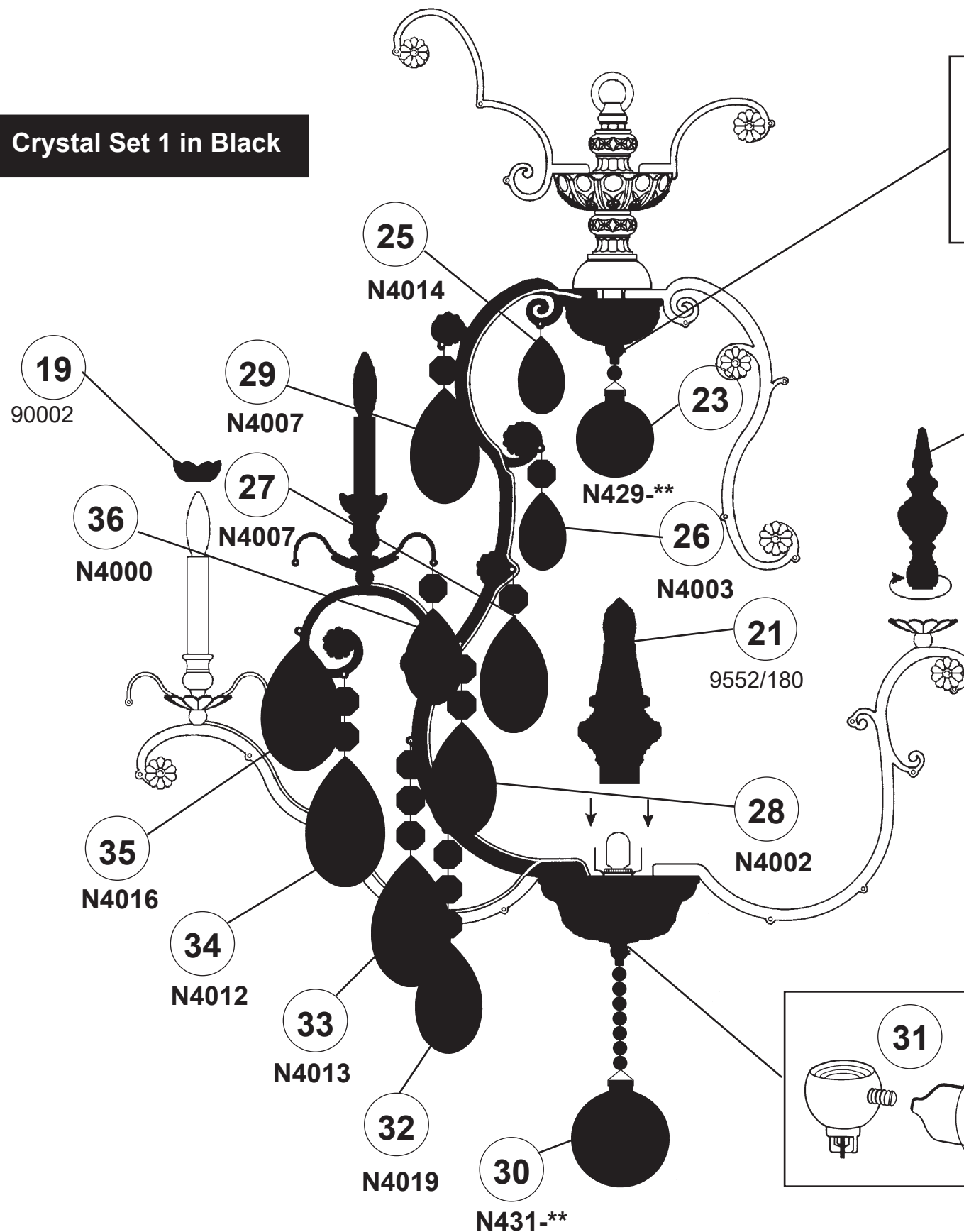
20



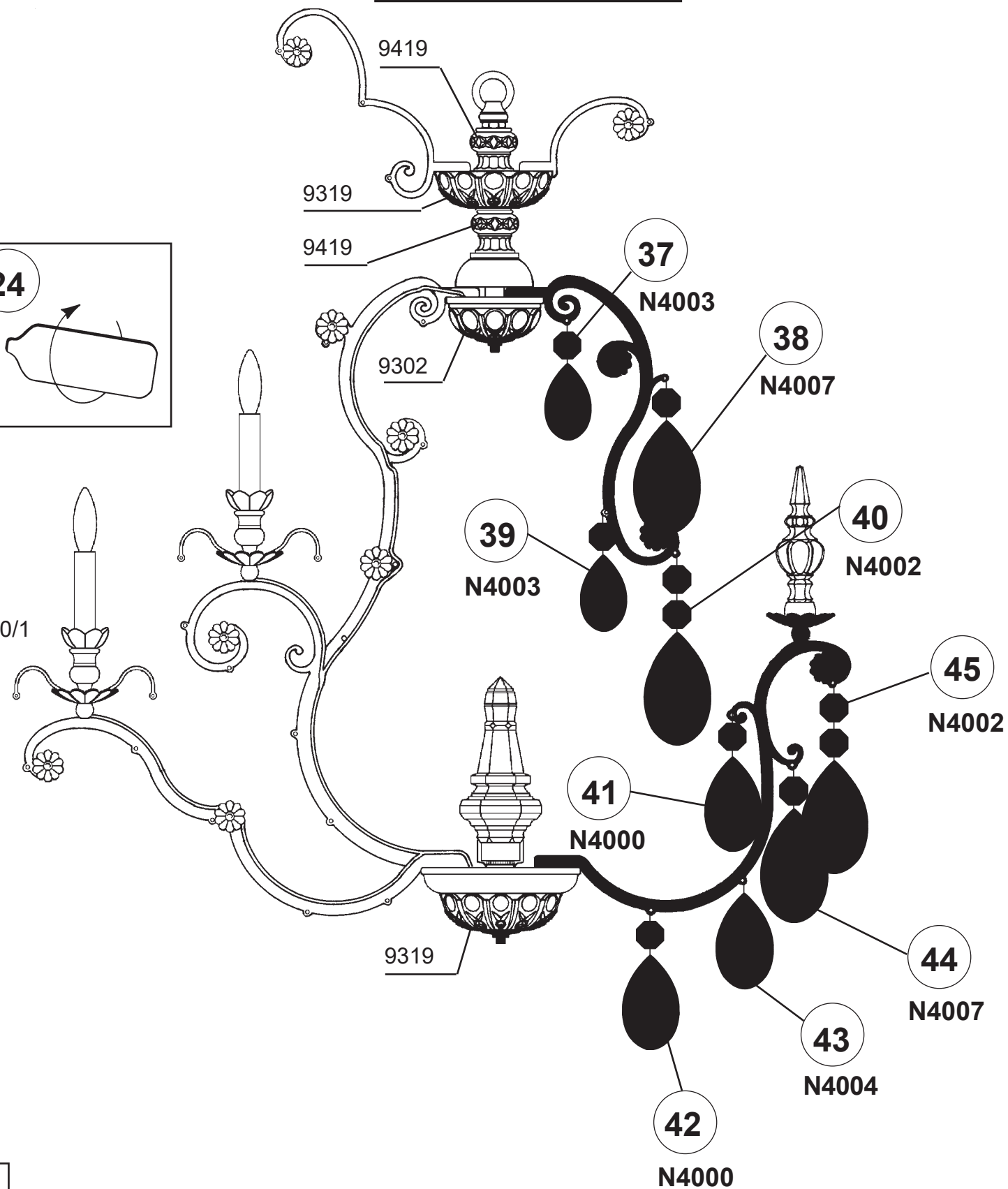
You will need 15 - B10
25 Watts Recommended
60 Watts Max

Install bulbs and be sure
to test fixture **BEFORE**
trimming.

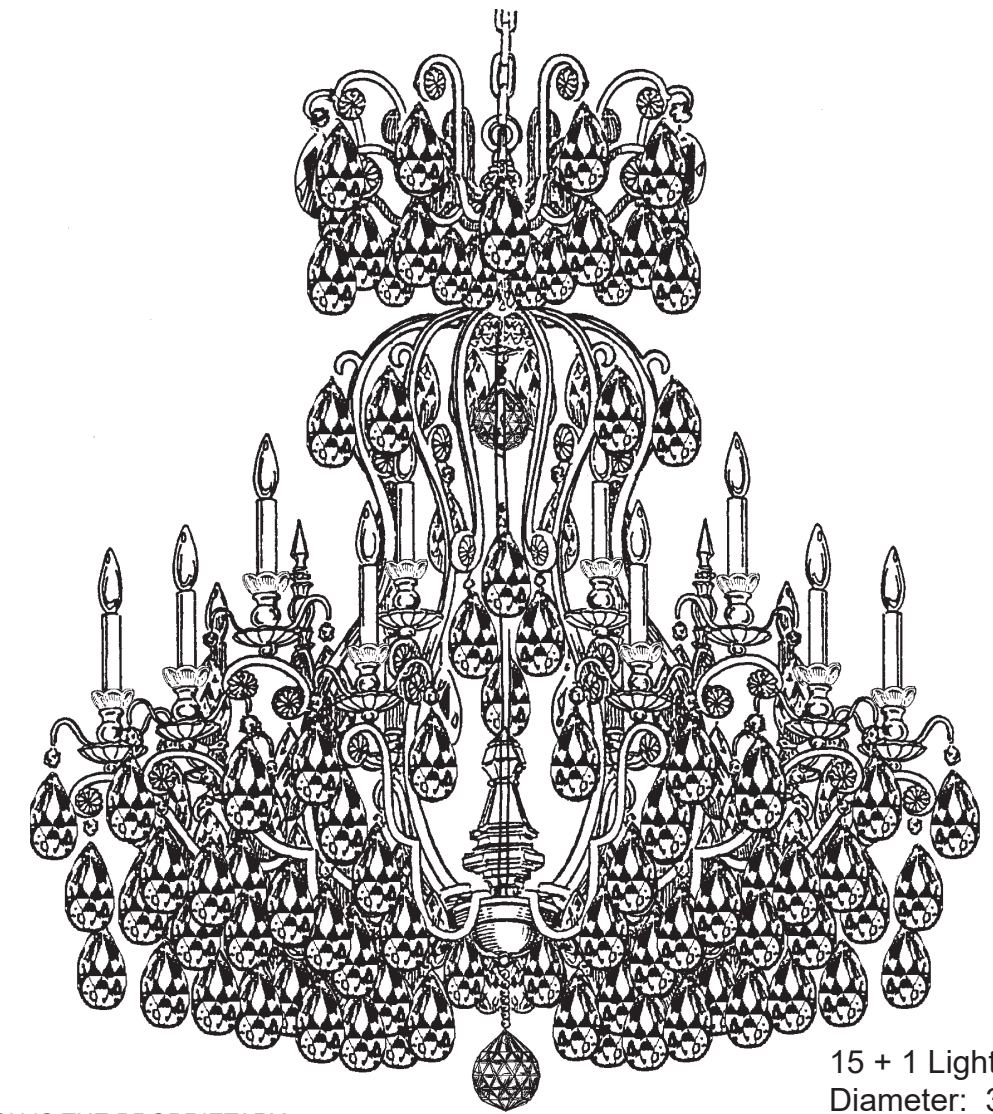
Crystal Set 1 in Black



Crystal Set 2 in Black



RENAISSANCE 3773- _____













15 + 1 Lights
Diameter: 38"
Body Length: 44"
Hanging Weight: 93 lbs.

THIS DESIGN IS THE PROPRIETARY
TRADE DRESS/TRADEMARK OF
W SCHONBEK LLC.

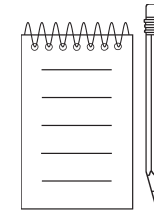
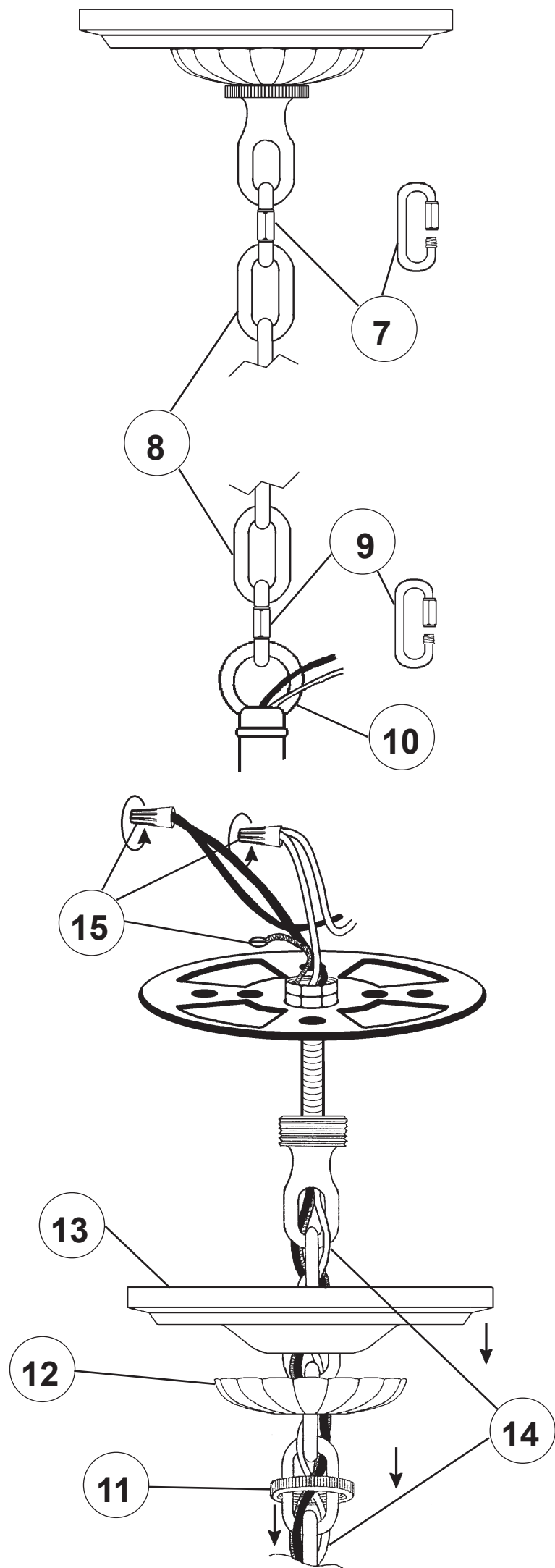
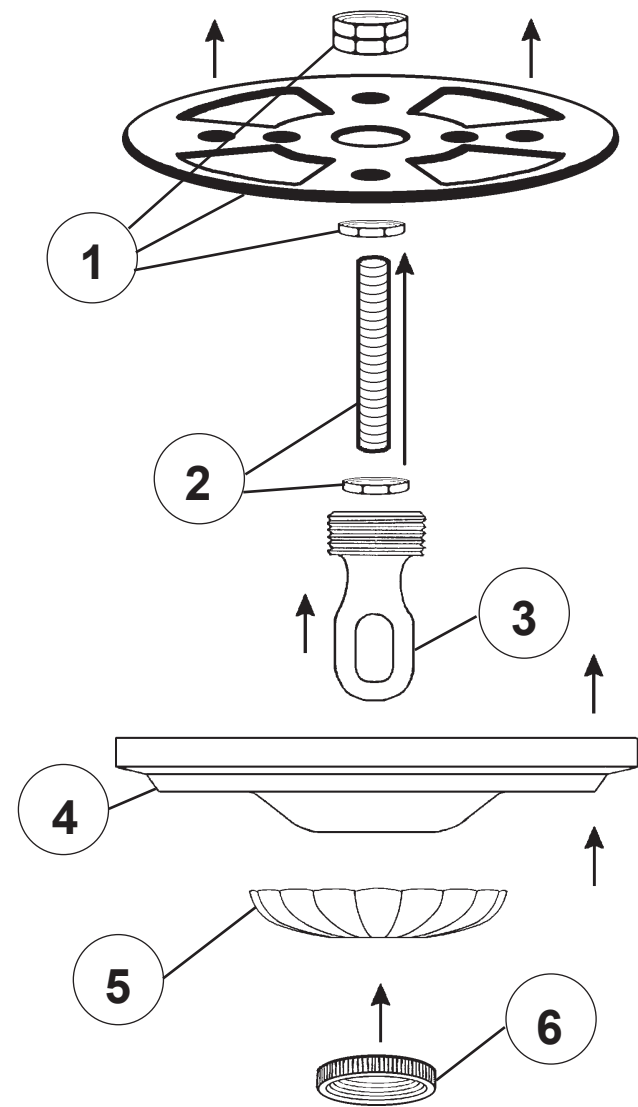
 **SCHONBEK** | 1870

 **SCHONBEK** | 1870

								
MAX <u>60</u> W	MAX <u>15</u> W	110-120 V						

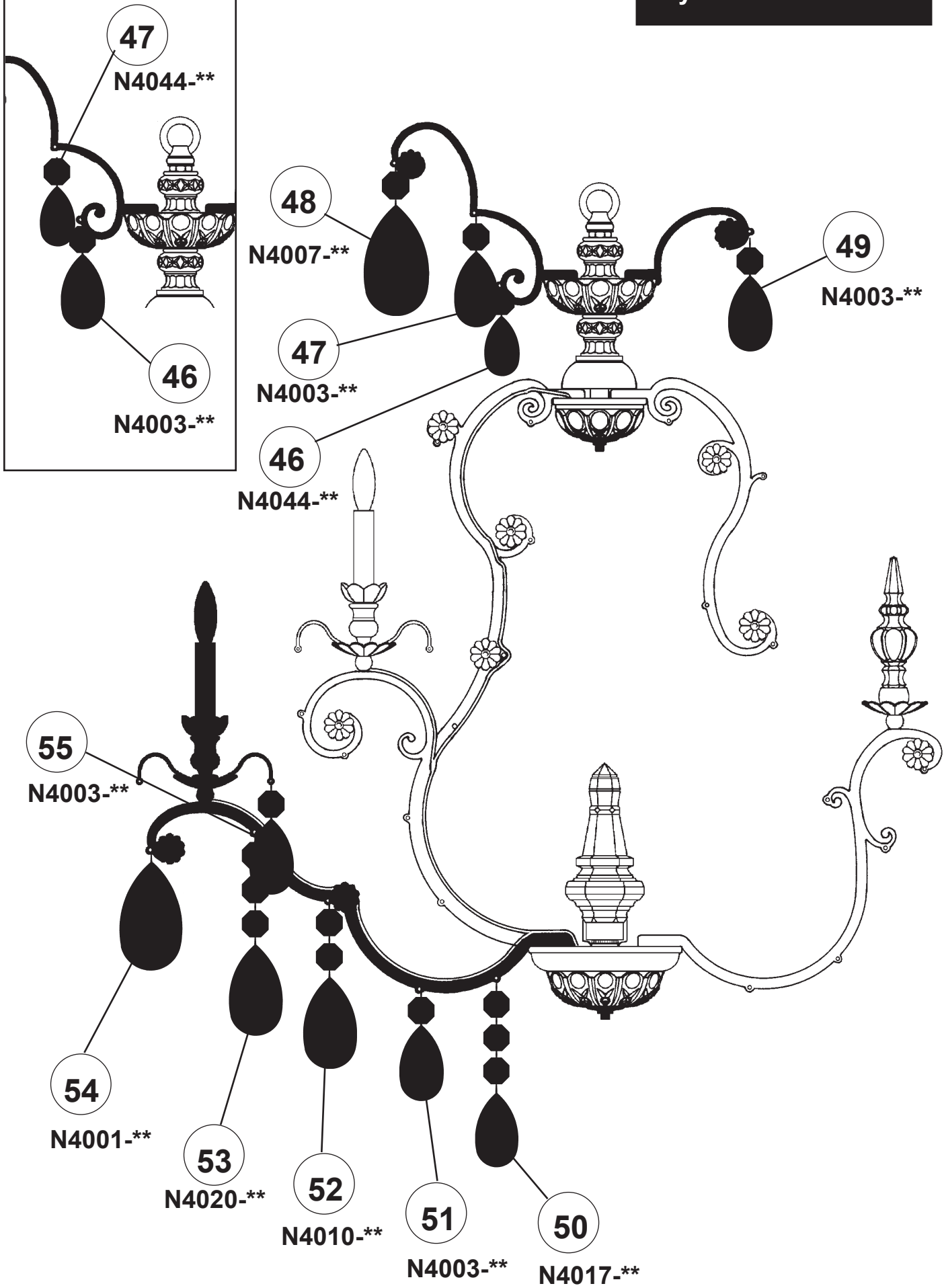
All electrical components must be installed by a licensed electrician in accordance with the National Electric Code and the appropriate local electrical codes.

WARNING: THIS LUMINAIRE MUST BE MOUNTED OR SUPPORTED INDEPENDENTLY OF AN OUTLET BOX.

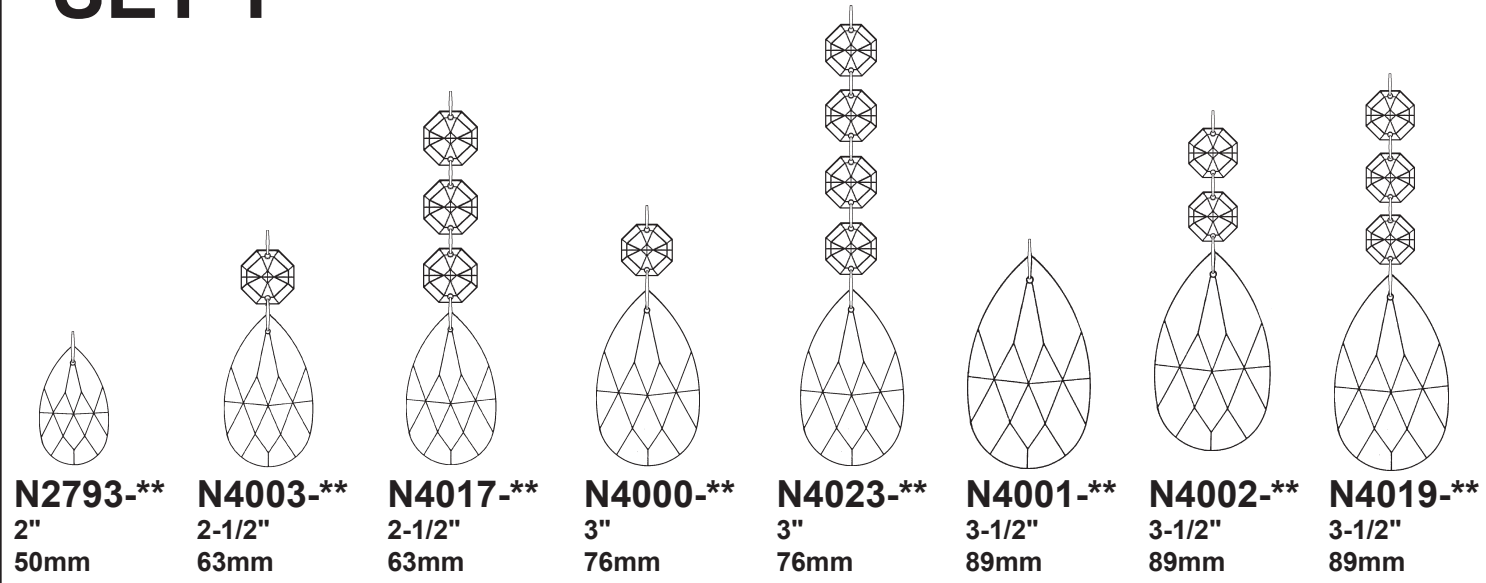


ALTERNATE:

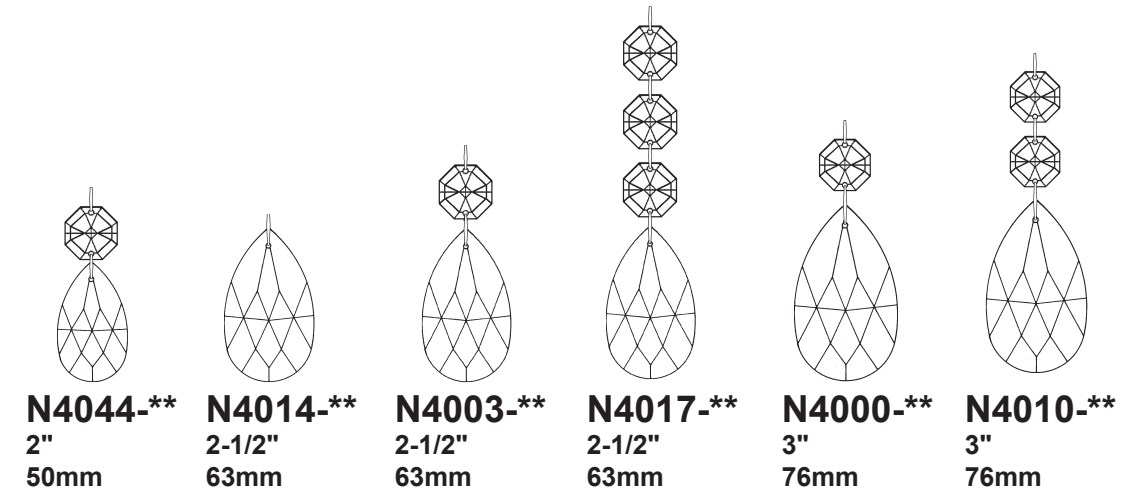
Crystal Set 3 in Black



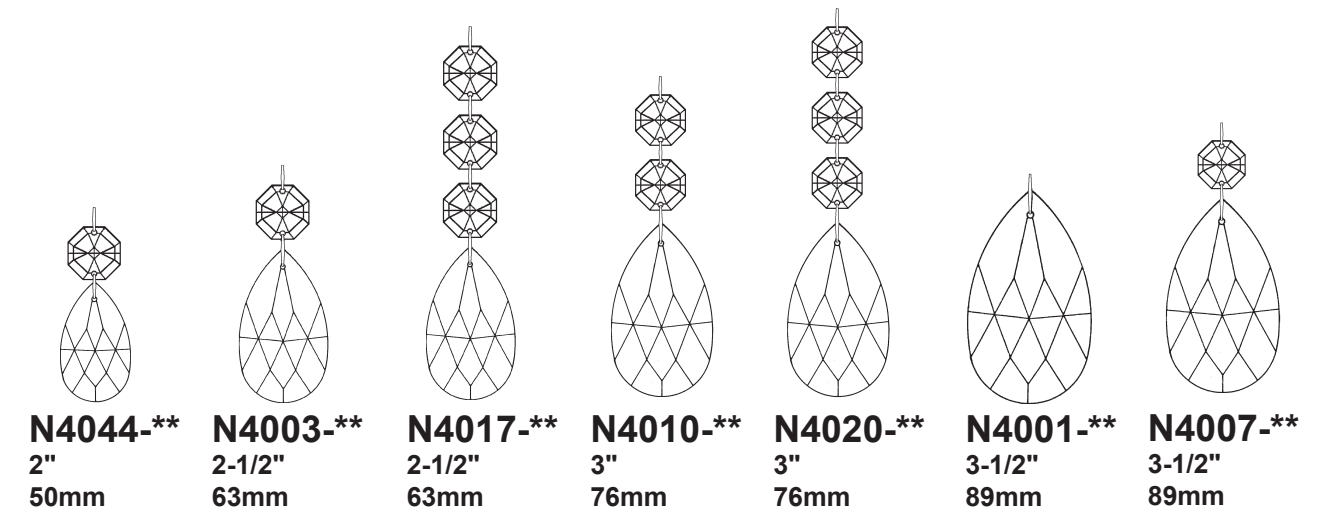
SET 1

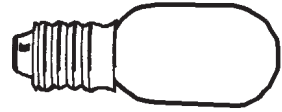


SET 2



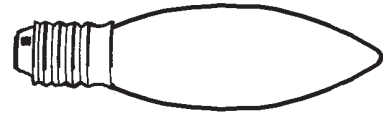
SET 3





You will need 1 - T7
15 Watts Max
(Center Light)

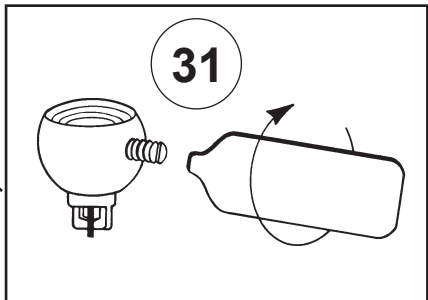
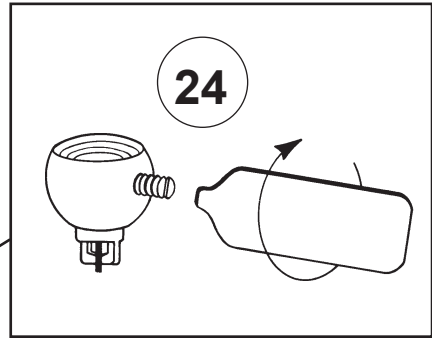
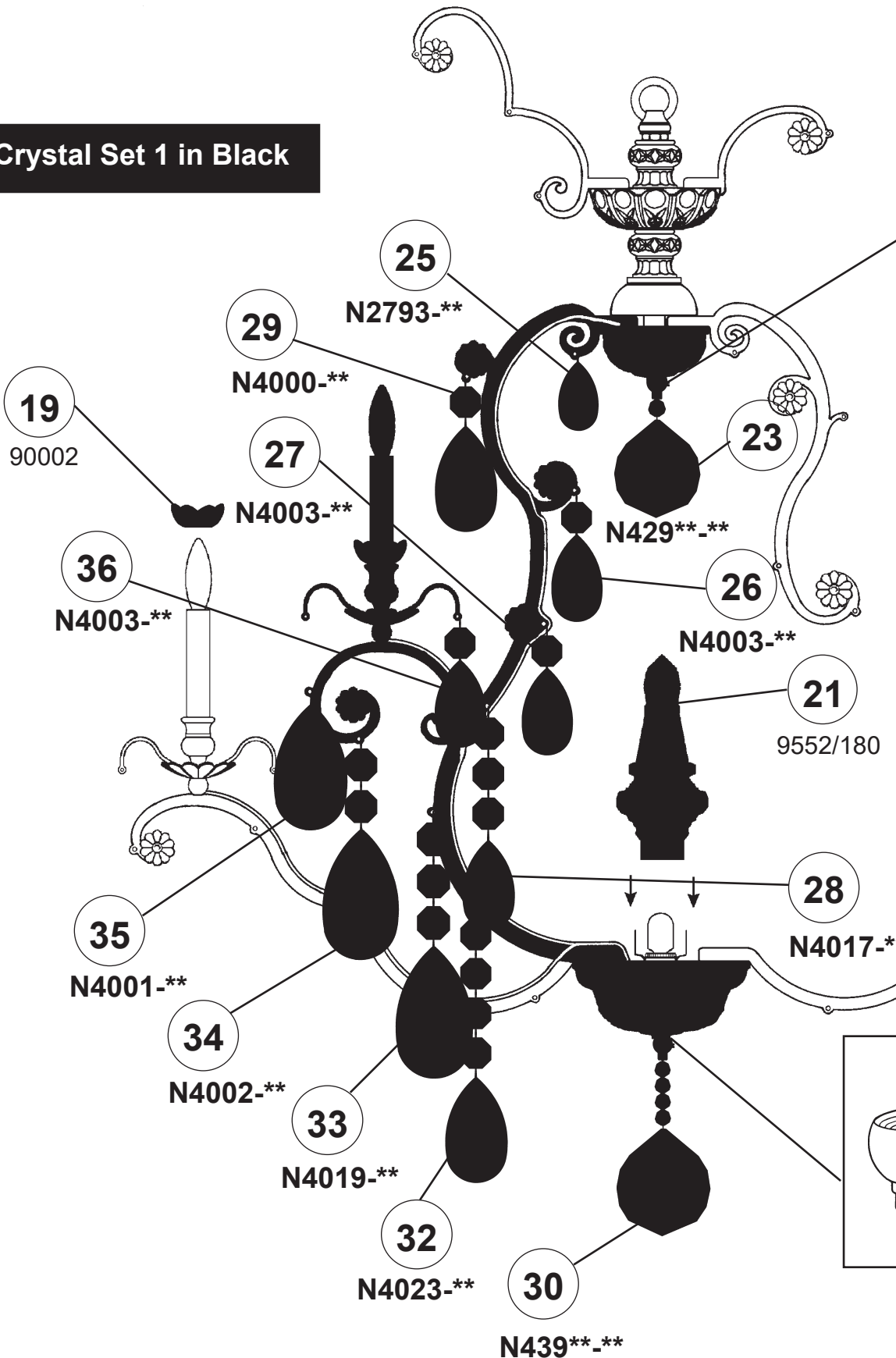
20



You will need 15 - B10
25 Watts Recommended
60 Watts Max

Install bulbs and be sure
to test fixture BEFORE
trimming.

Crystal Set 1 in Black



Crystal Set 2 in Black

