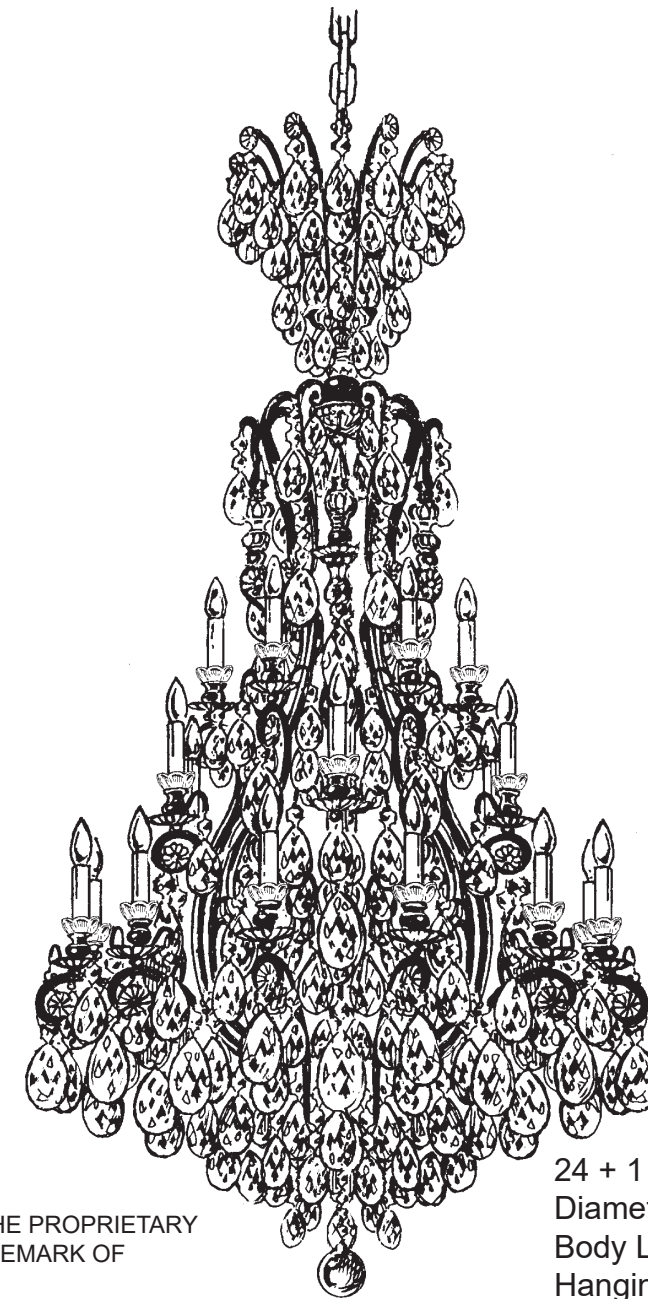




CHANDELIER 3783-____ TRIM DIAGRAM

(Finish Option)



THIS DESIGN IS THE PROPRIETARY TRADE DRESS/TRADEMARK OF W SCHONBEK LLC.

24 + 1 Lights
Diameter: 36"
Body Length: 72"
Hanging Weight: 124 lbs.



Follow steps in exact order
Save this trim diagram for future reference

1

IMPORTANT

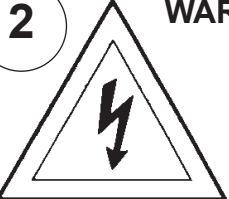
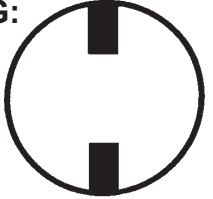
Person who opens carton should record the following information for future service.

- CODE # _____ Four-digit number on outside of carton.
- PACKER # _____ See crystal package label.
- ORDER # _____ See crystal package label.

Instructions for electrician

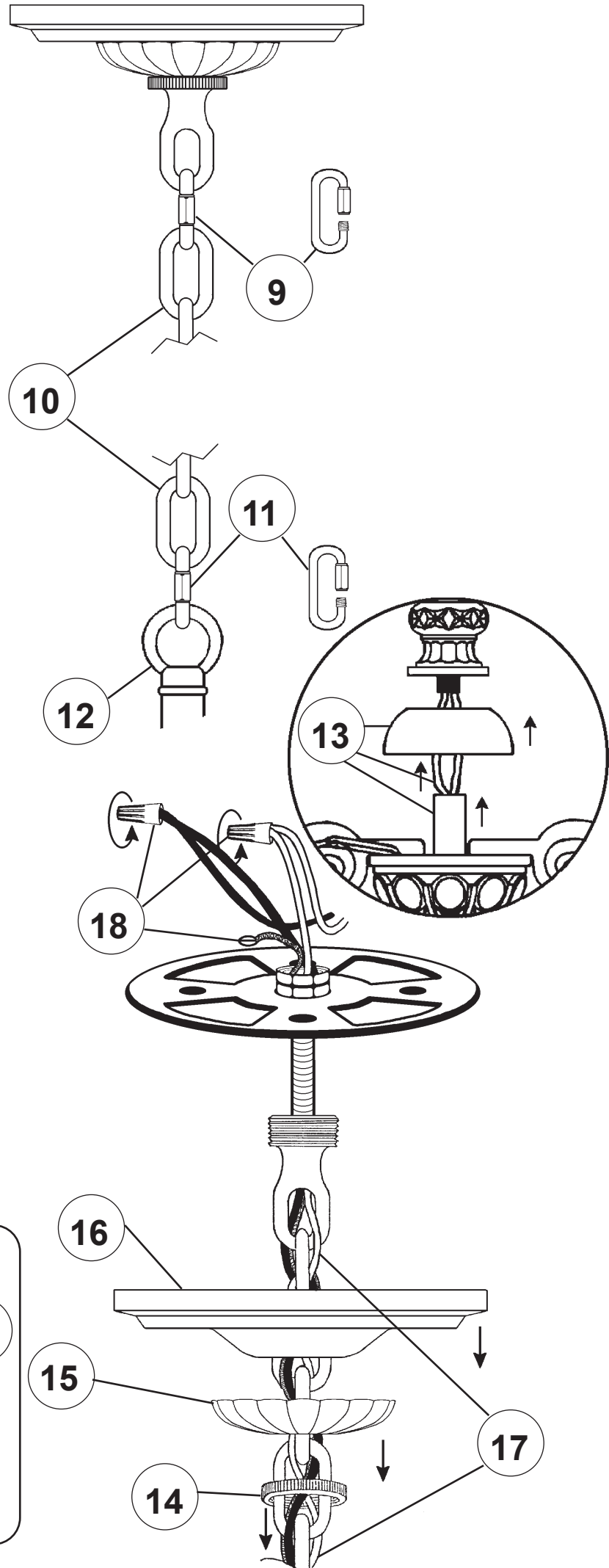
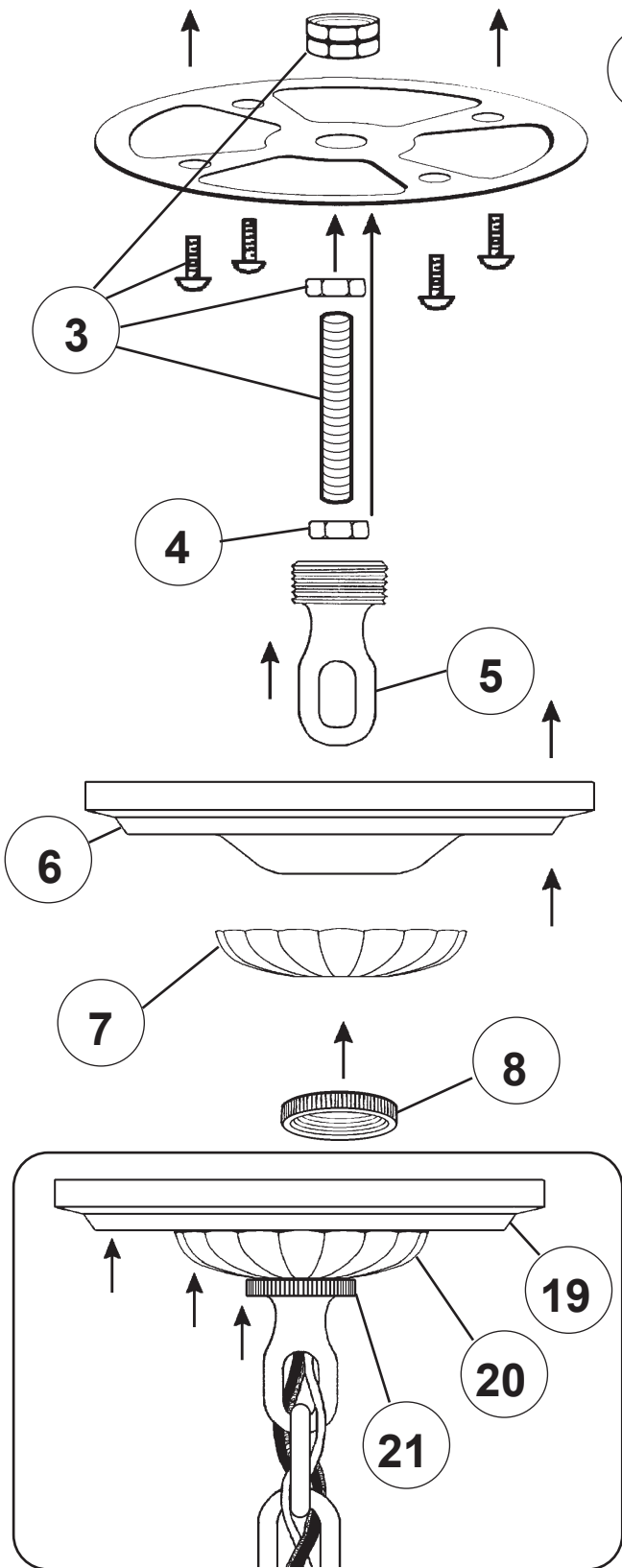
STEPS 2 - 21

WARNING: THIS LUMINAIRE MUST BE MOUNTED OR SUPPORTED INDEPENDENTLY OF AN OUTLET BOX.

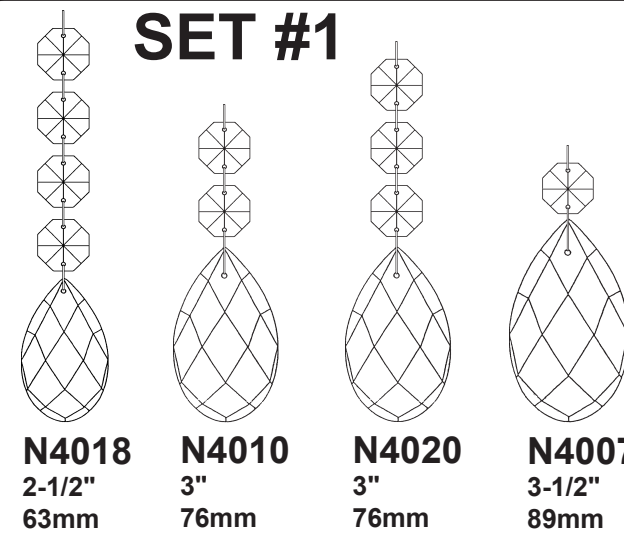
2 **WARNING:**  

Electrical Danger **Turn Power Off**

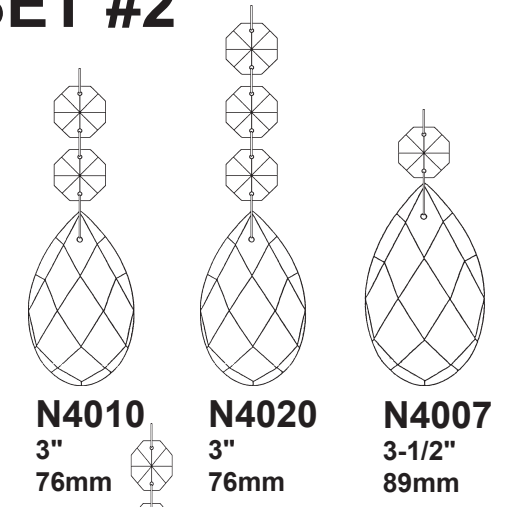
All electrical components must be installed by a licensed electrician in accordance with the National Electric Code and the appropriate local electrical codes.



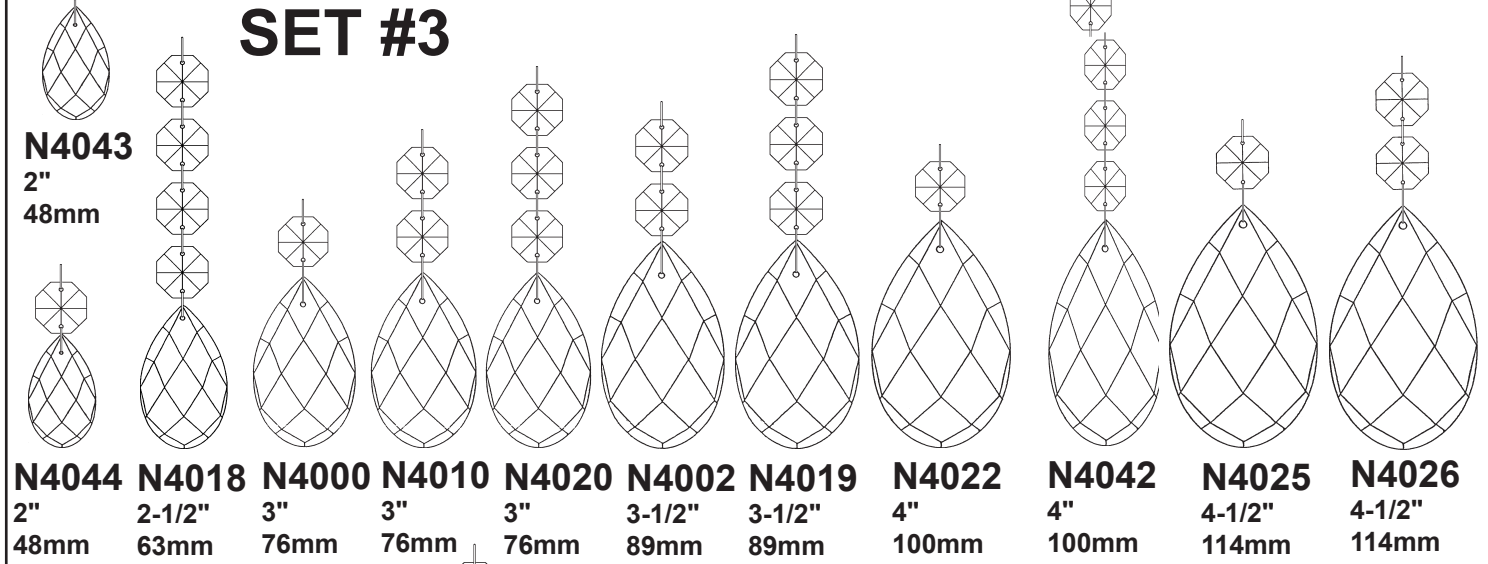
SET #1



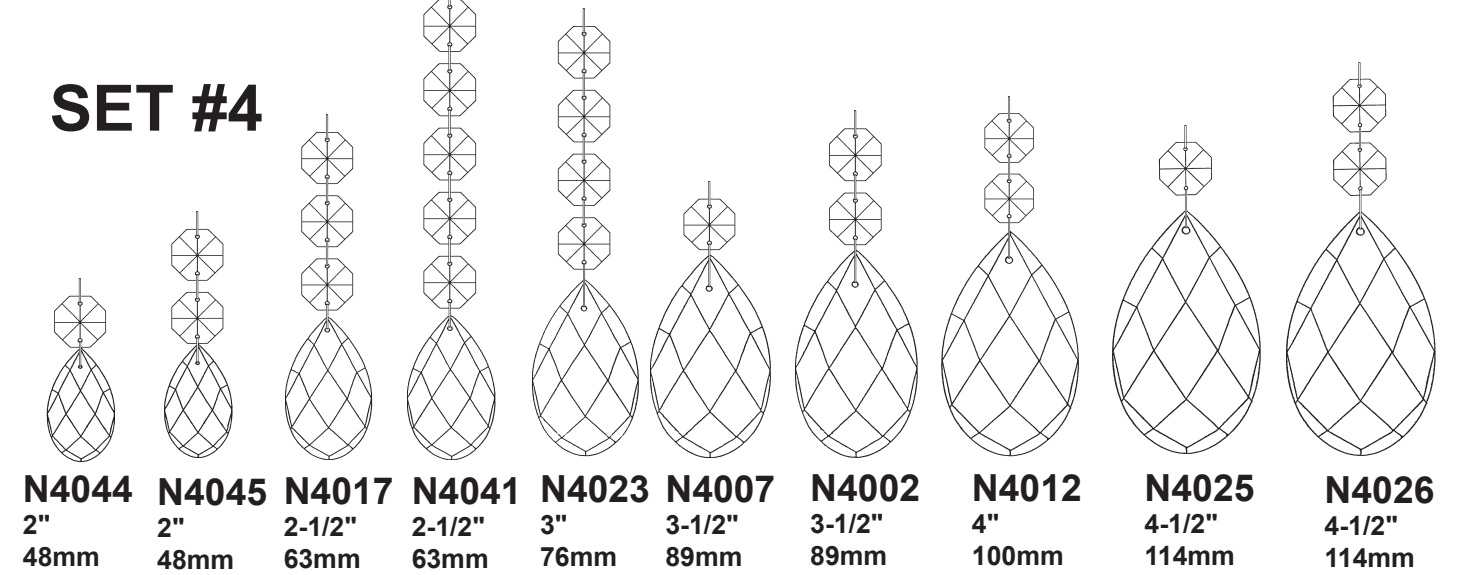
SET #2



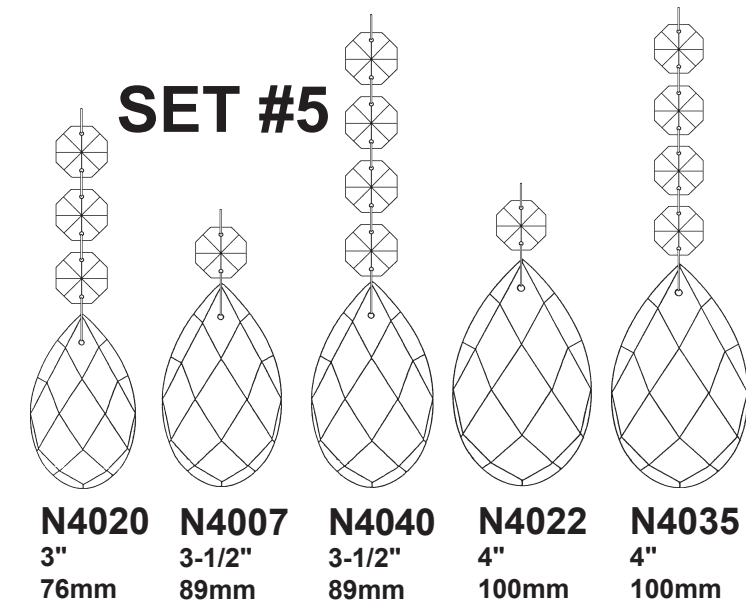
SET #3



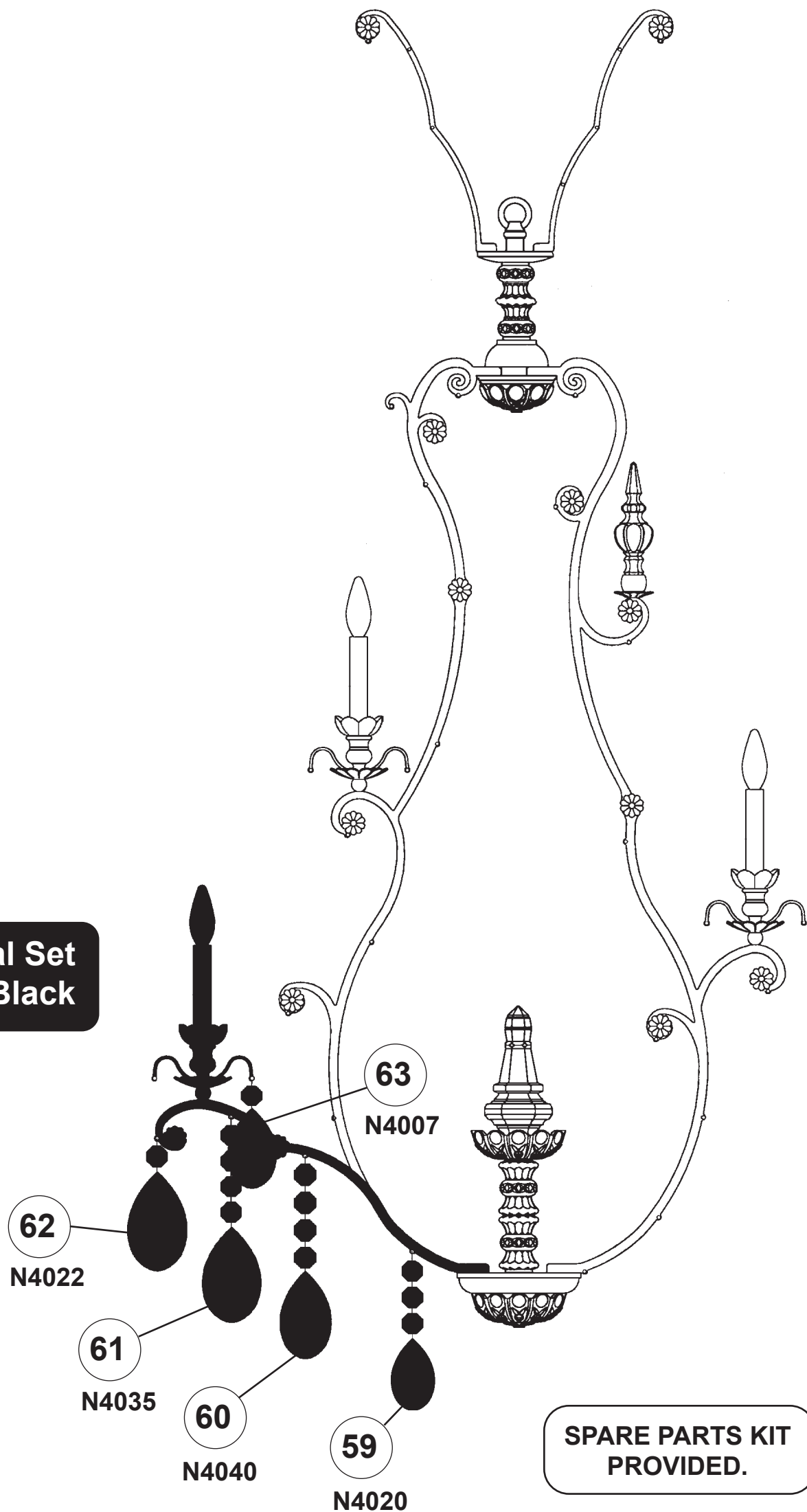
SET #4



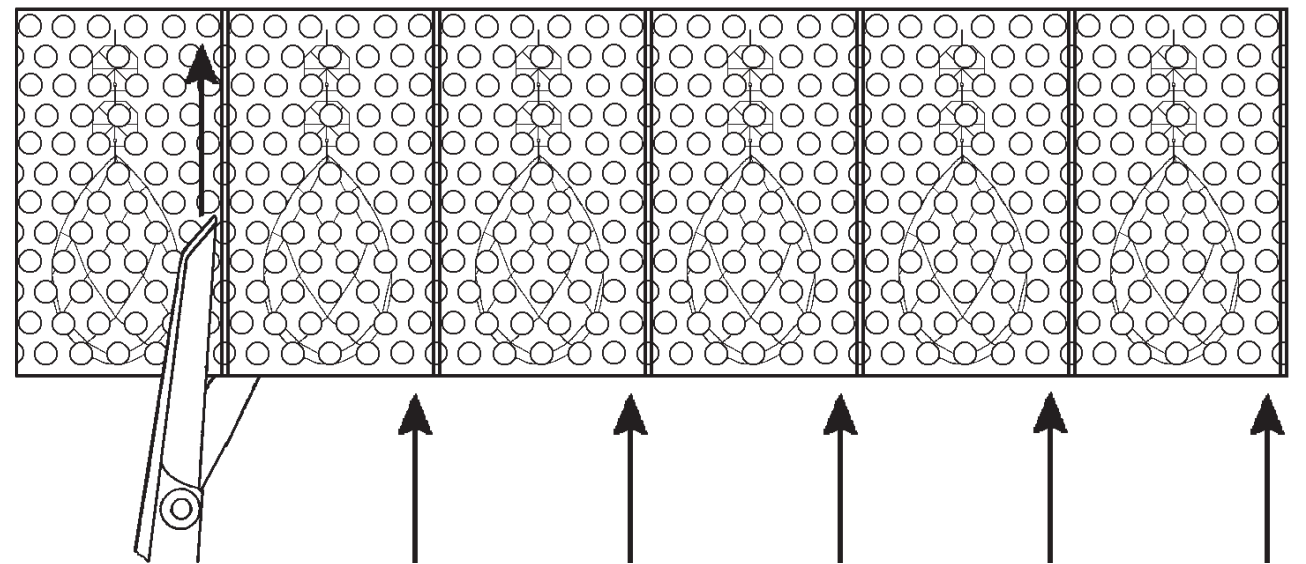
SET #5



**Crystal Set
#5 in Black**



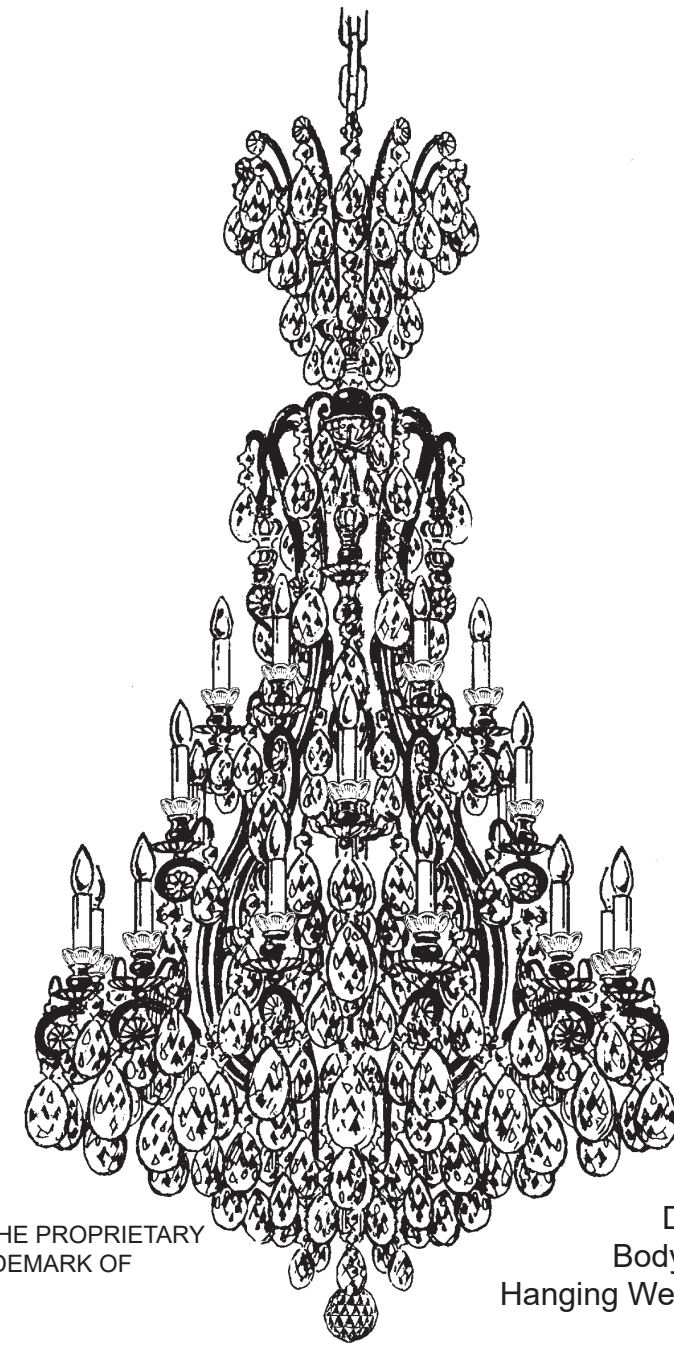
**For easy removal of crystal from
bubble pack, please cut along
pouches on the inside of the
seam. Gently remove crystal
from the side of the pouch.**



**NOTE: Work on one
crystal set at a time.
Follow the black line from
top to bottom according
to the numbered steps on
the trim diagram.**



CHANDELIER 3783- _____
(Finish Option) (Trim Option)
TRIM DIAGRAM



THIS DESIGN IS THE PROPRIETARY
TRADE DRESS/TRADEMARK OF
W SCHONBEK LLC.

24 + 1 Lights
Diameter: 36"
Body Length: 72"
Hanging Weight: 124 lbs.



**Follow steps in exact order
Save this trim diagram for future reference**

1

IMPORTANT

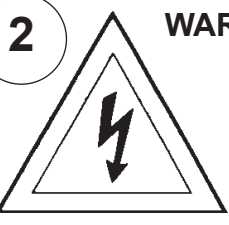
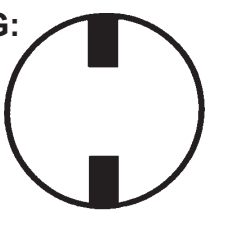
Person who opens carton should record the following information for future service.

- CODE # _____ Four-digit number on outside of carton.
- PACKER # _____ See crystal package label.
- ORDER # _____ See crystal package label.

Instructions for electrician

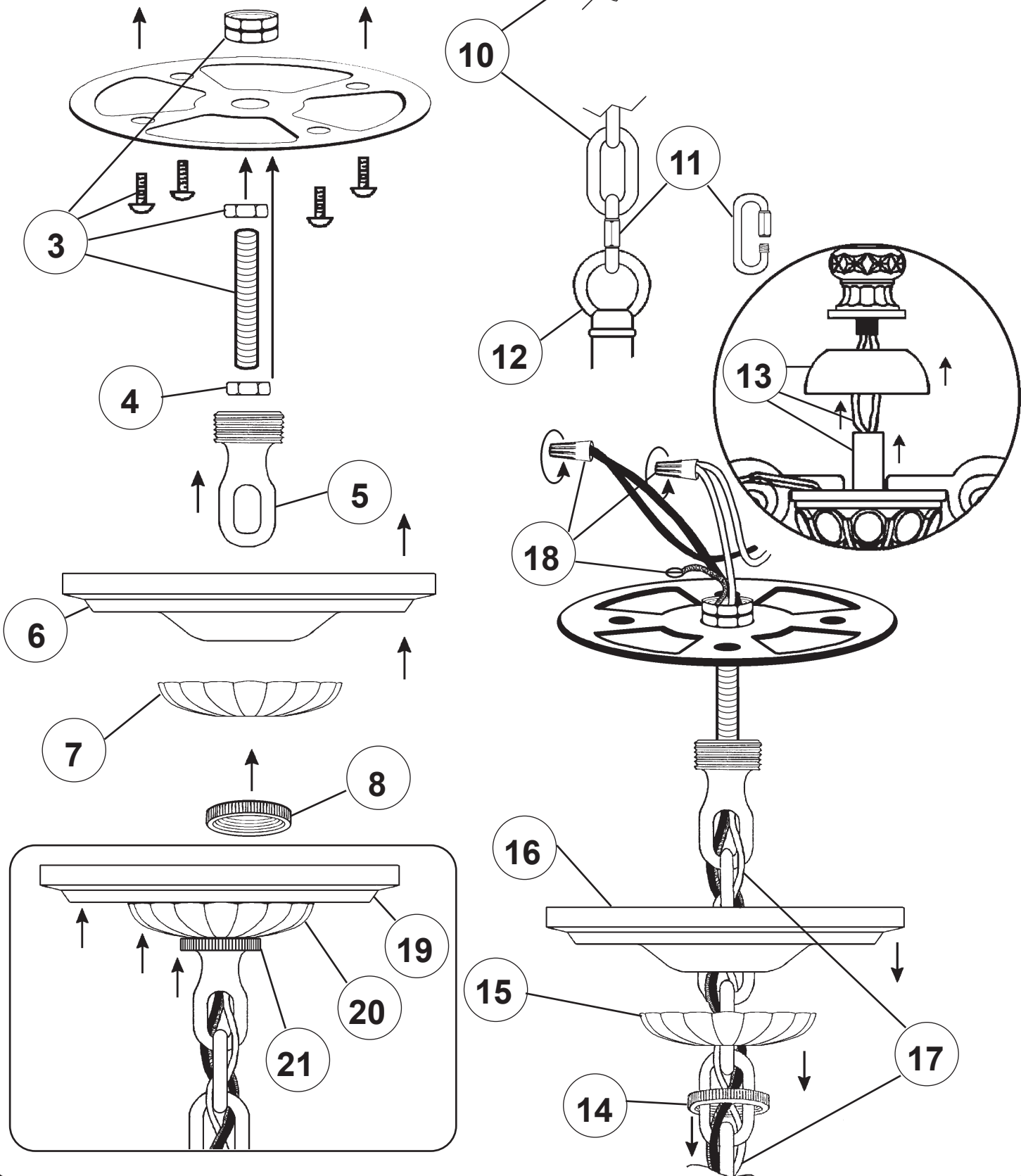
STEPS 2 - 21

WARNING: THIS LUMINAIRE MUST BE MOUNTED OR SUPPORTED INDEPENDENTLY OF AN OUTLET BOX.

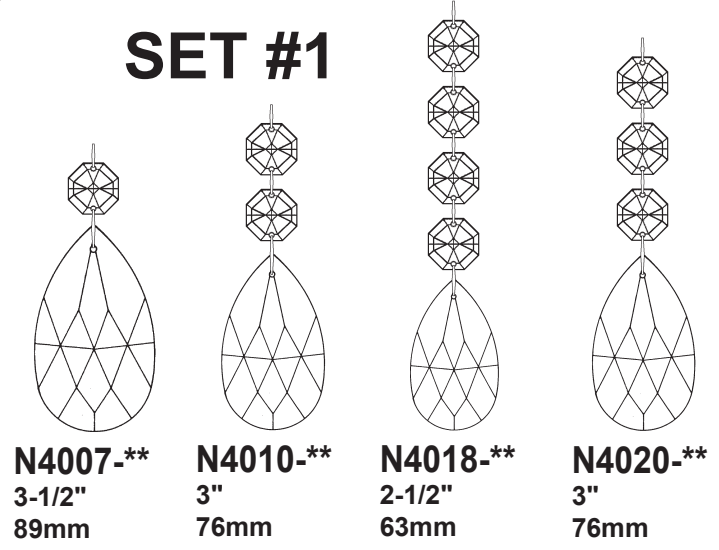
2 **WARNING:**  

Electrical Danger Turn Power Off

All electrical components must be installed by a licensed electrician in accordance with the National Electric Code and the appropriate local electrical codes.

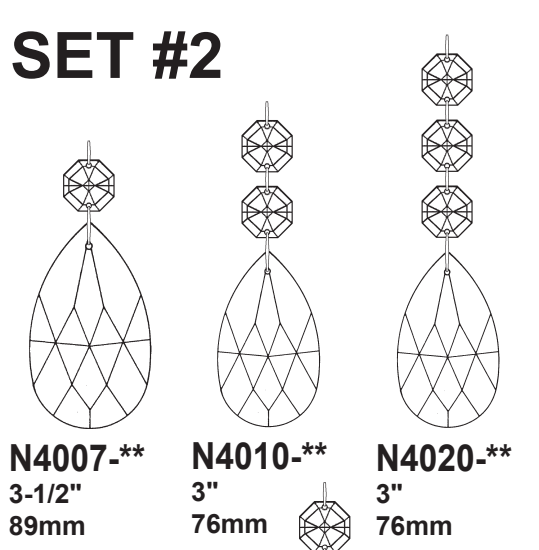


SET #1



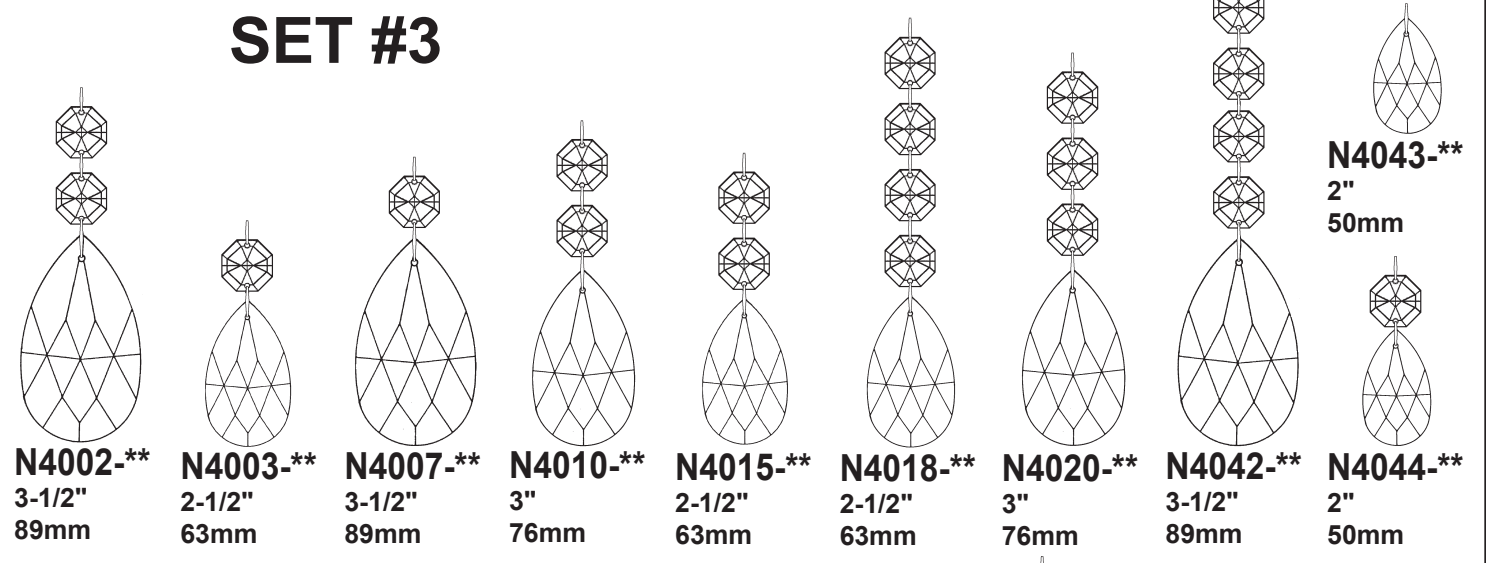
N4007-** 3-1/2" 89mm
N4010-** 3" 76mm
N4018-** 2-1/2" 63mm
N4020-** 3" 76mm

SET #2



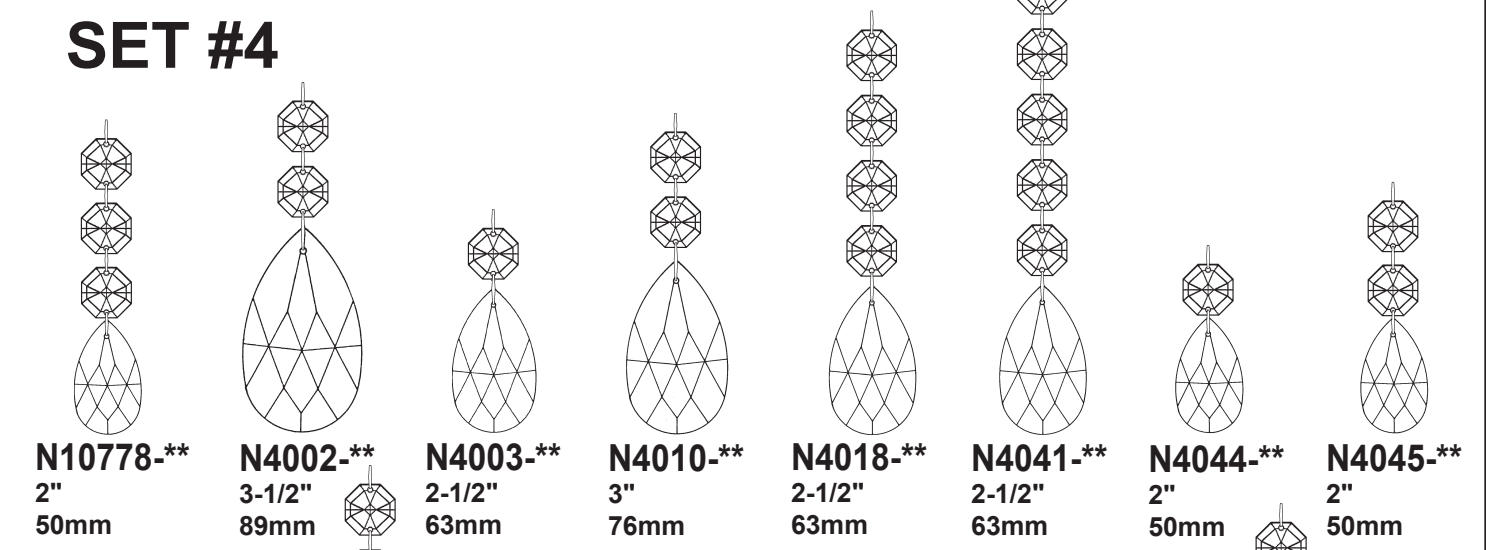
N4007-** 3-1/2" 89mm
N4010-** 3" 76mm
N4020-** 3" 76mm

SET #3



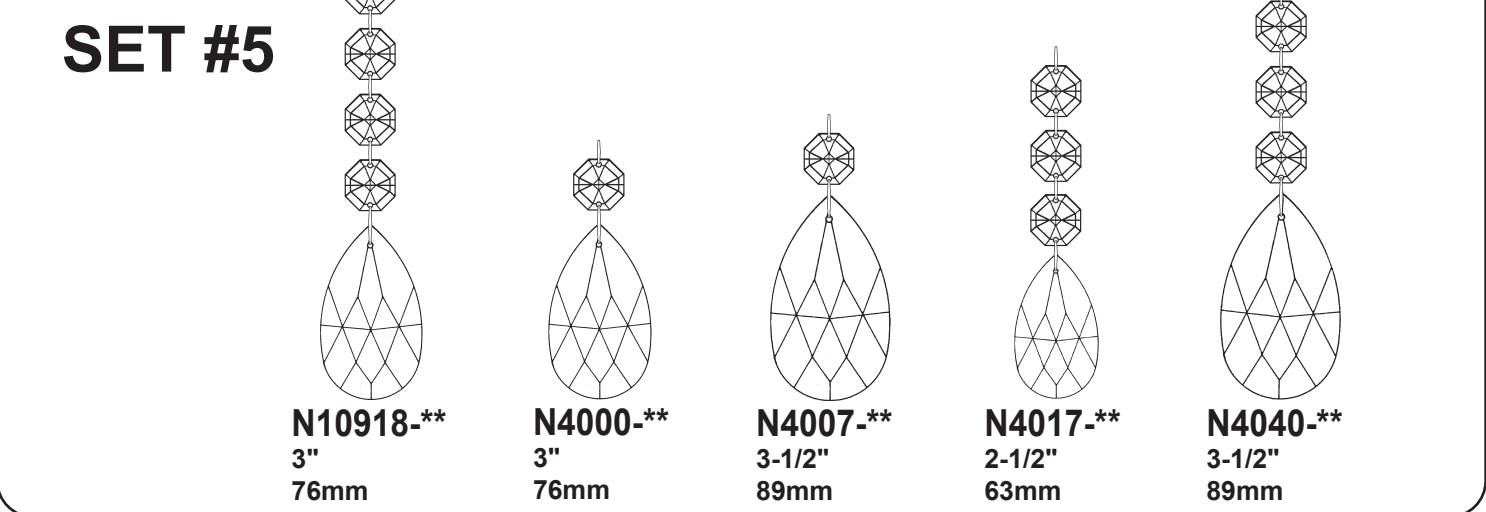
N4002-** 3-1/2" 89mm
N4003-** 2-1/2" 63mm
N4007-** 3-1/2" 89mm
N4010-** 3" 76mm
N4015-** 2-1/2" 63mm
N4018-** 2-1/2" 63mm
N4020-** 3" 76mm
N4042-** 3-1/2" 89mm
N4043-** 2" 50mm
N4044-** 2" 50mm

SET #4



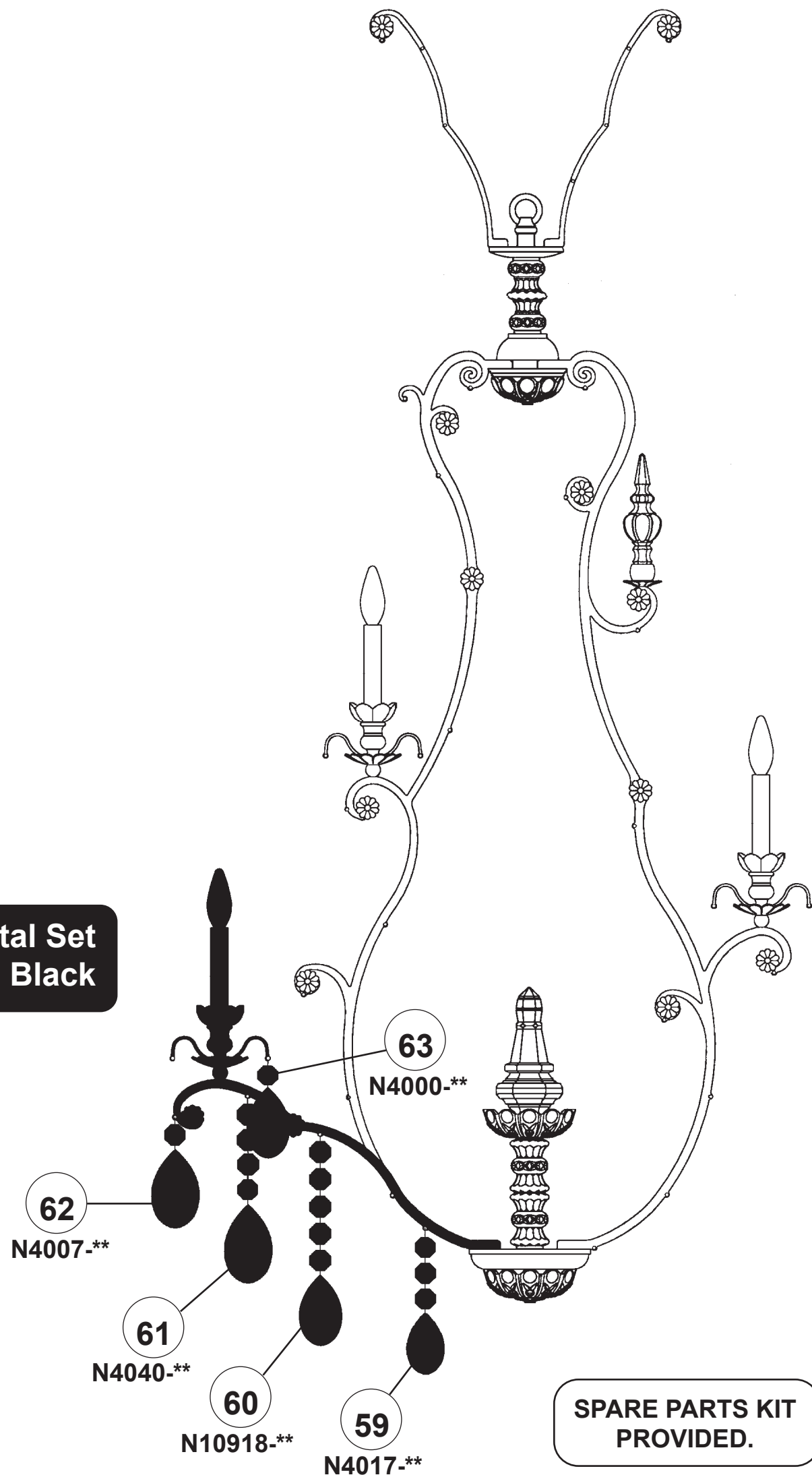
N10778-** 2" 50mm
N4002-** 3-1/2" 89mm
N4003-** 2-1/2" 63mm
N4010-** 3" 76mm
N4018-** 2-1/2" 63mm
N4041-** 2-1/2" 63mm
N4044-** 2" 50mm
N4045-** 2" 50mm

SET #5



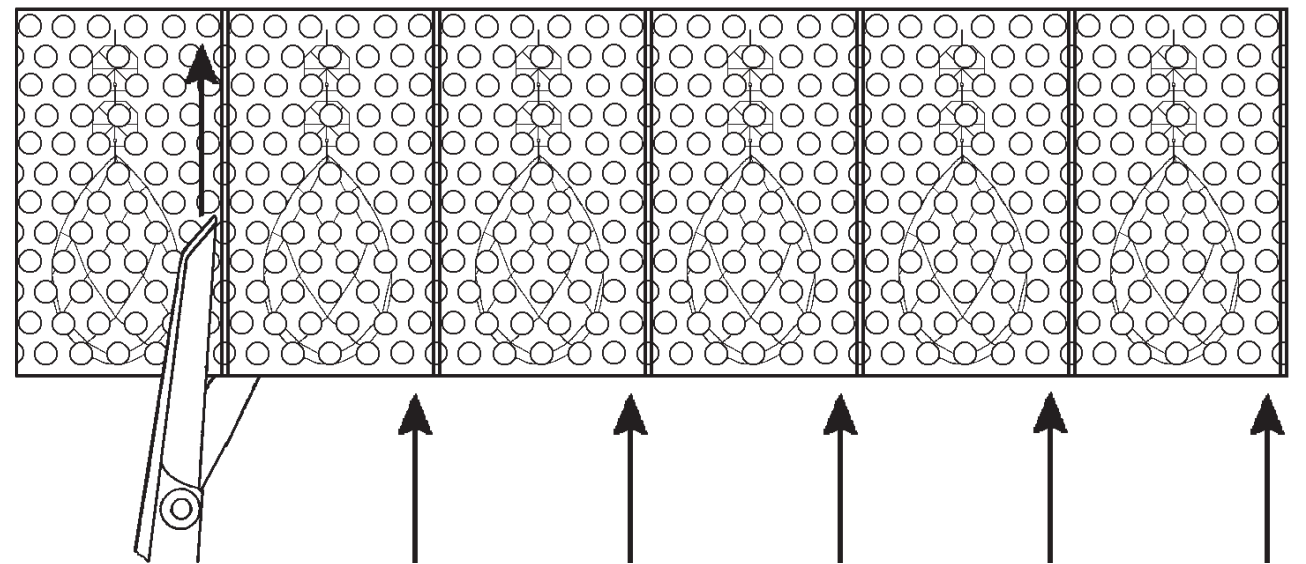
N10918-** 3" 76mm
N4000-** 3" 76mm
N4007-** 3-1/2" 89mm
N4017-** 2-1/2" 63mm
N4040-** 3-1/2" 89mm

**Crystal Set
#5 in Black**



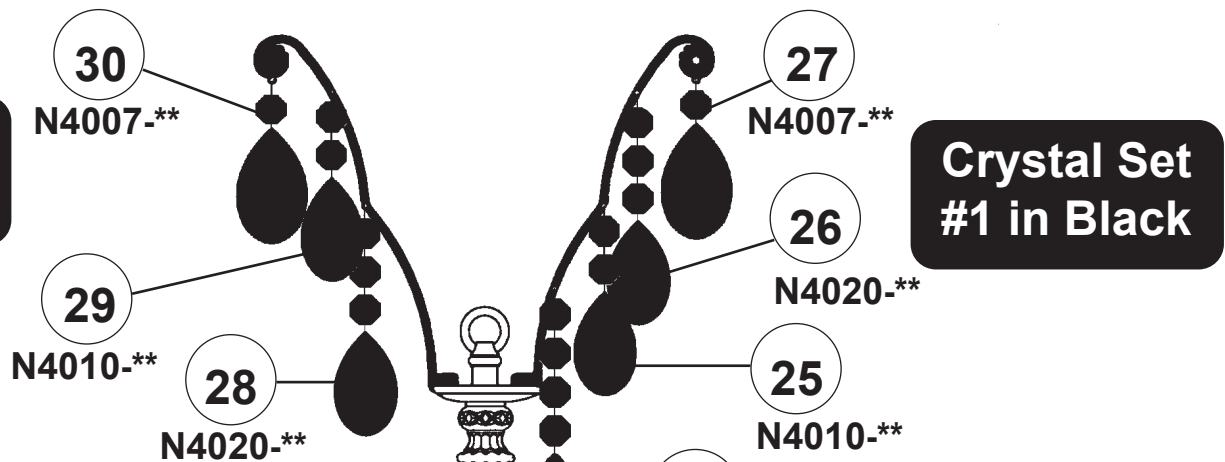
**SPARE PARTS KIT
PROVIDED.**

For easy removal of crystal from bubble pack, please cut along pouches on the inside of the seam. Gently remove crystal from the side of the pouch.



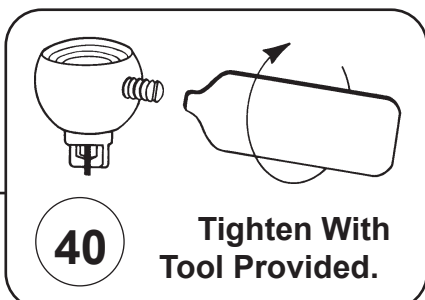
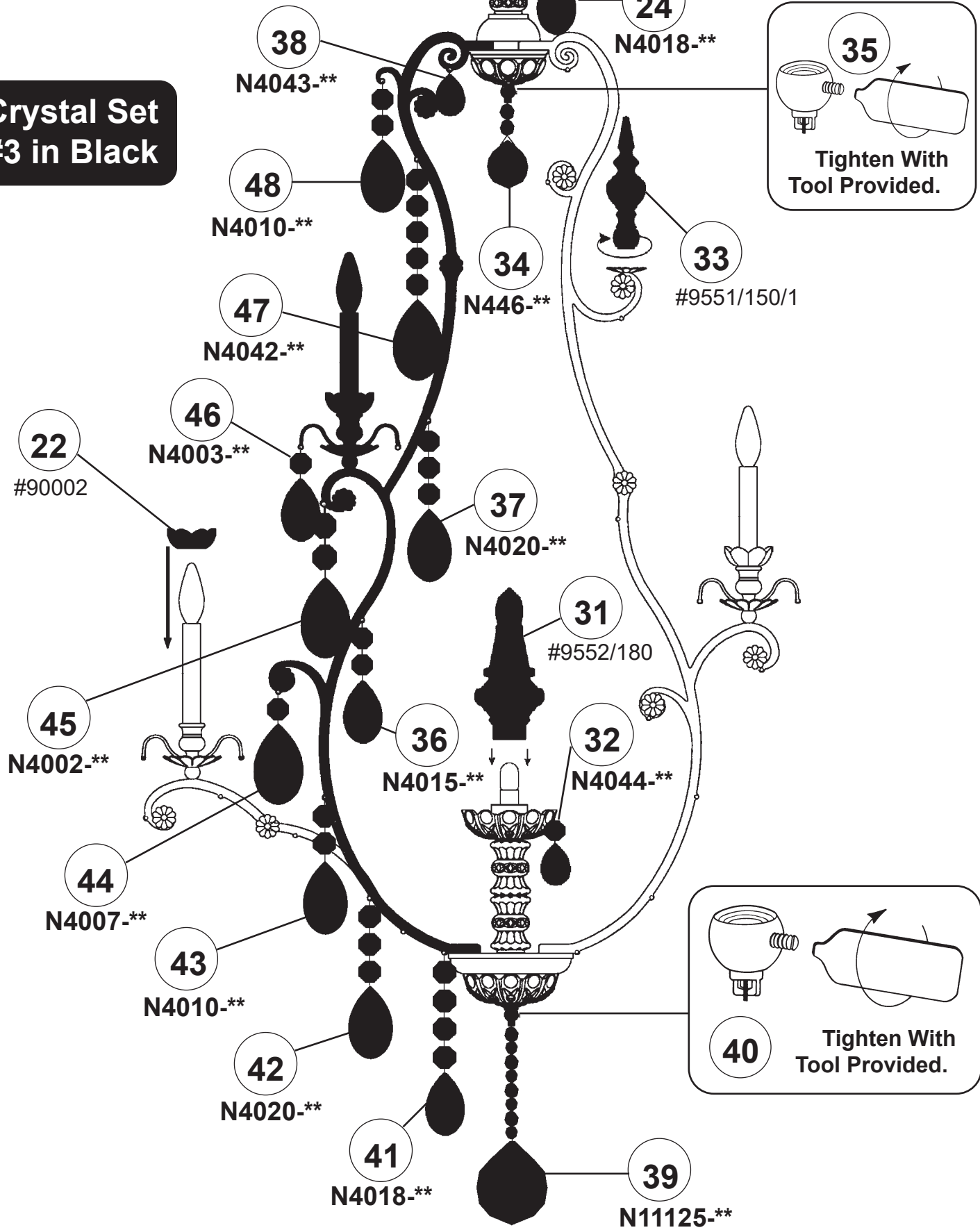
NOTE: Work on one crystal set at a time. Follow the black line from top to bottom according to the numbered steps on the trim diagram.

**Crystal Set
#2 in Black**



**Crystal Set
#1 in Black**

**Crystal Set
#3 in Black**

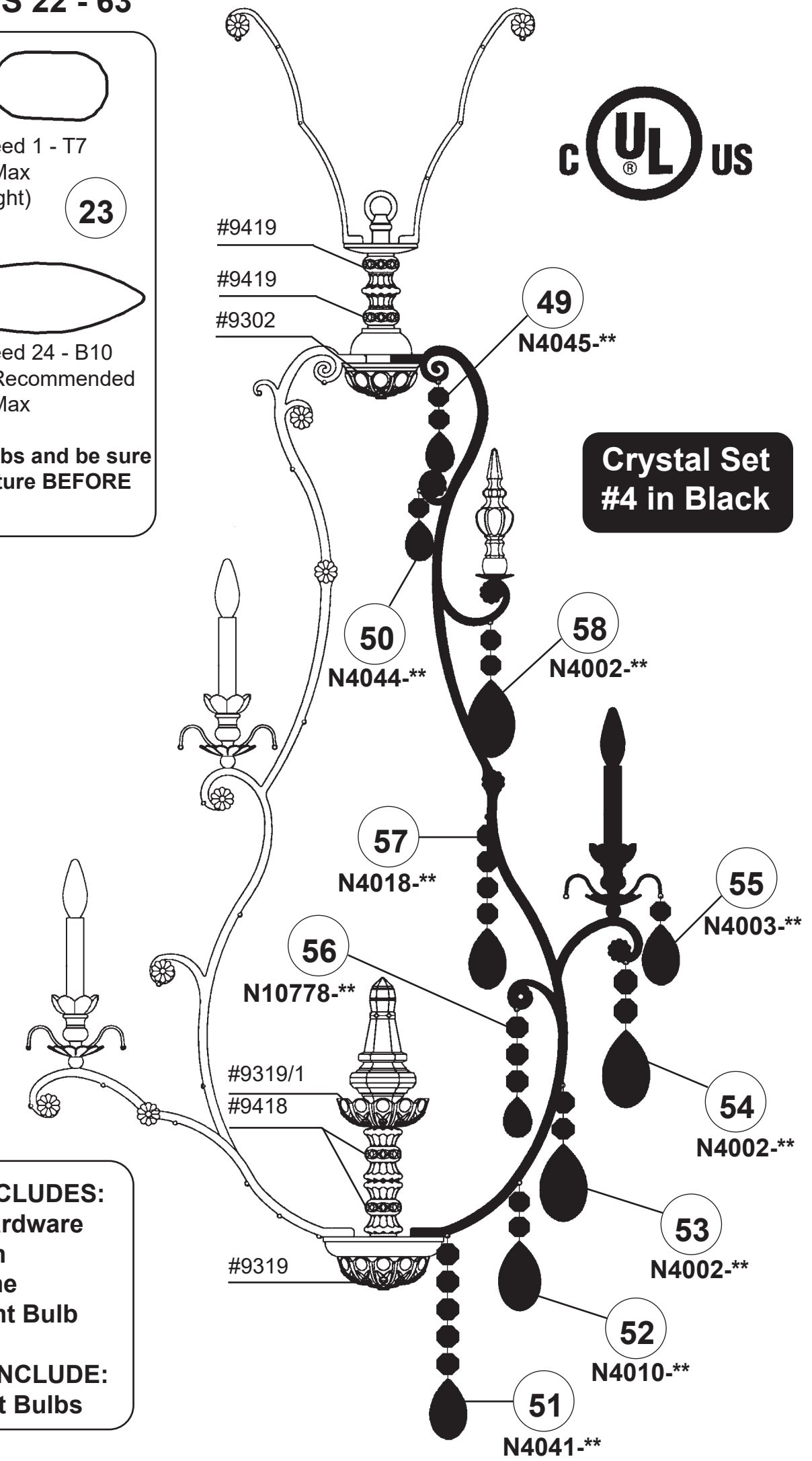


**Instructions for crystal trimming
STEPS 22 - 63**

23
You will need 1 - T7
15 Watts Max
(Center Light)

You will need 24 - B10
25 Watts Recommended
60 Watts Max

Install bulbs and be sure
to test fixture **BEFORE**
trimming.



FIXTURE INCLUDES:
Hanger Hardware
Trim
Frame
1 - T7 Light Bulb

DOES NOT INCLUDE:
B10 - Light Bulbs