

 **SCHONBEK** | 1870











RENAISSANCE
3796N- __ _ H



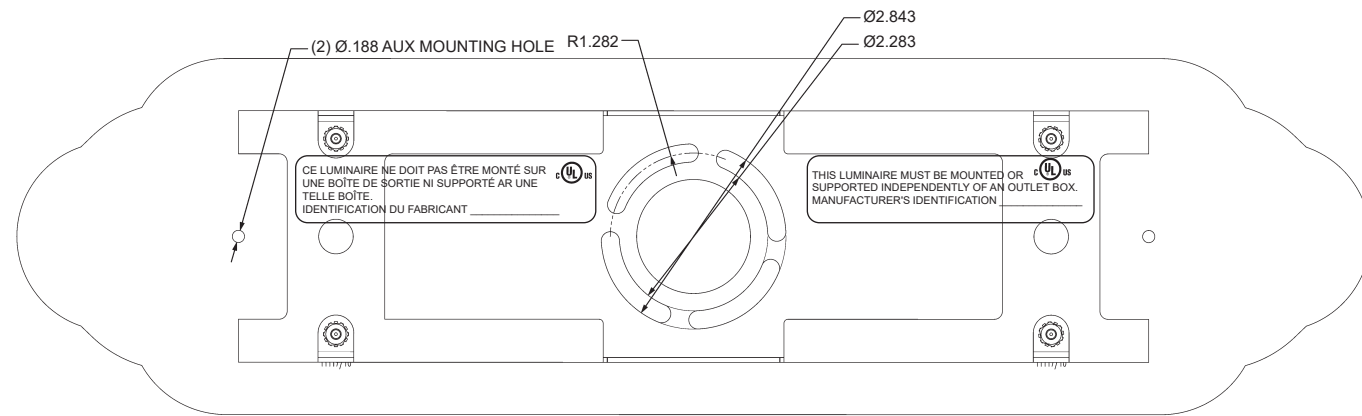
THIS DESIGN IS THE PROPRIETARY
TRADE DRESS/TRADEMARK OF
W SCHONBEK LLC.

12 + 2 Lights
Length: 56"
Width: 23"
Height: 34"
Hanging Weight: 56lbs.

 **SCHONBEK** | 1870

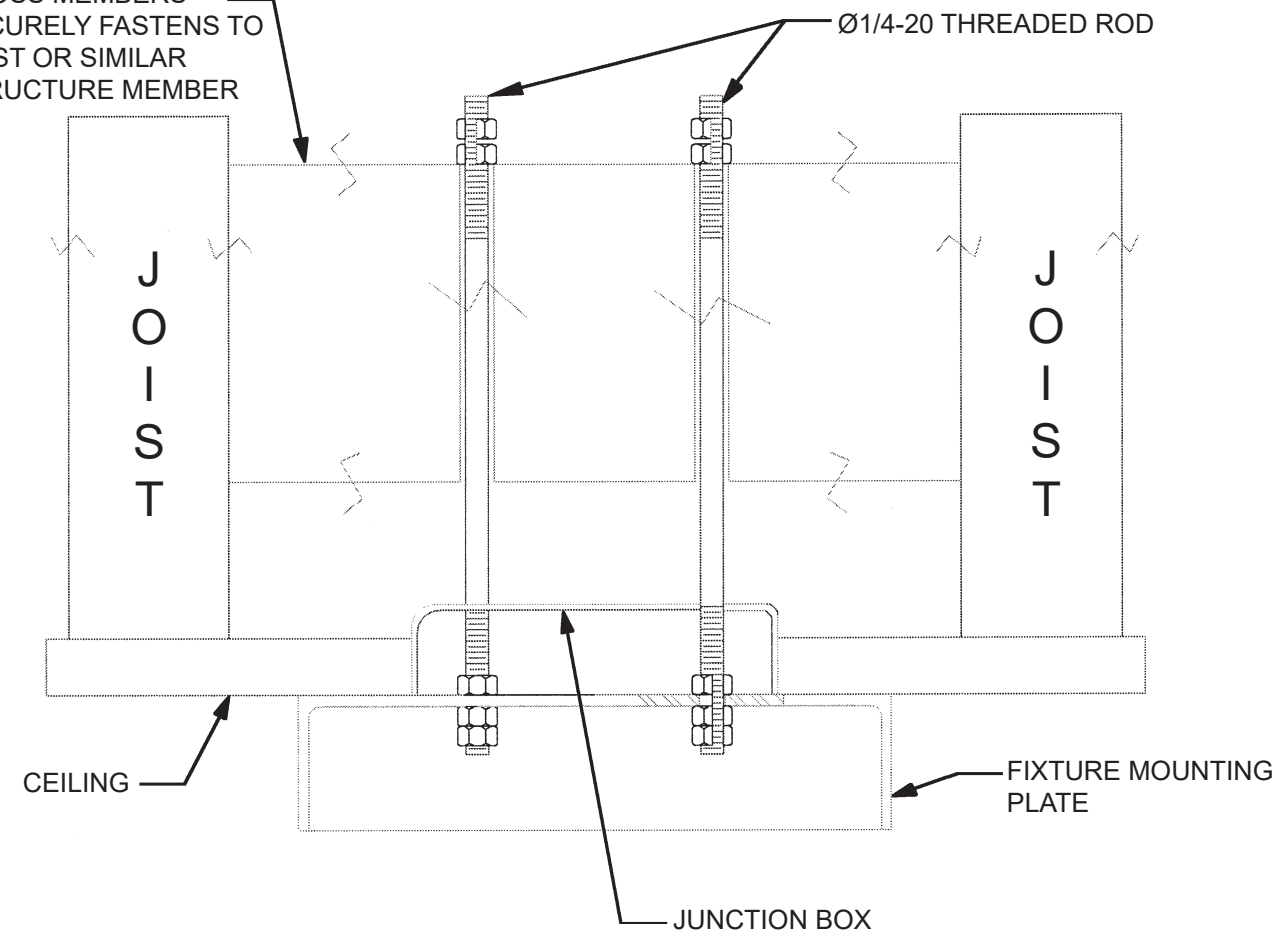
| | | | | | | | | |
|---|---|---|---|---|---|---|---|---|
|  |  |  |  |  |  |  |  |  |
| MAX 60 W | MAX 15 W | 110-120 V |  | | | | | |

NOTE: INSTALLER IS SOLELY RESPONSIBLE FOR PROPER MOUNTING!

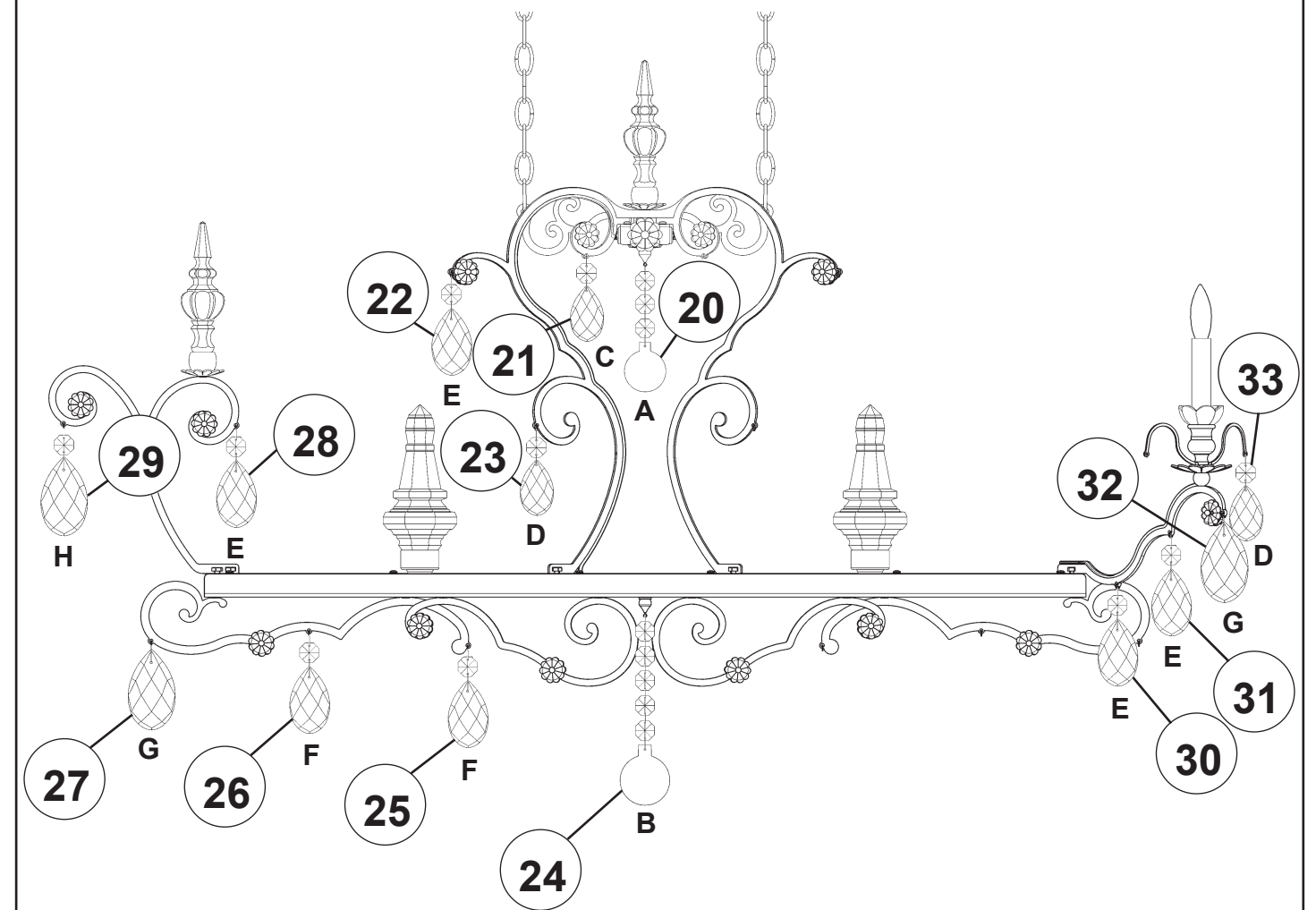


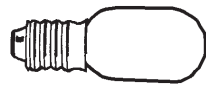
PLAN VIEW OF MOUNTING BRACKET

CROSS MEMBERS SECURELY FASTENS TO JOIST OR SIMILAR STRUCTURE MEMBER



WARNING:
MOUNTING CONFIGURATION AND HARDWARE MUST HOLD 4X THE WEIGHT OF THE FIXTURE. MOUNTING DESIGN AND FIXTURE INSTALLATION SHOULD BE CONDUCTED BY A QUALIFIED LICENSED PROFESSIONAL.



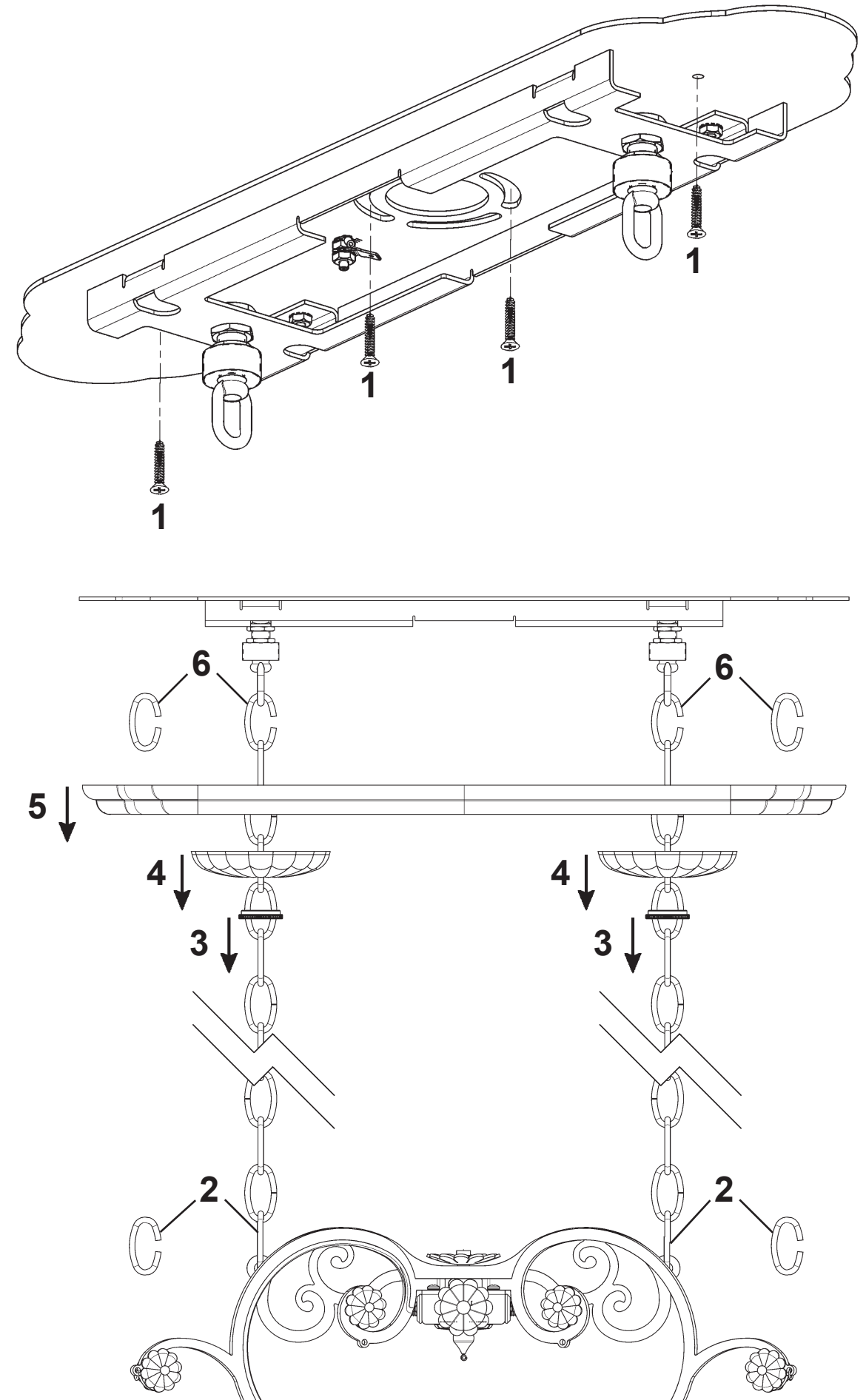
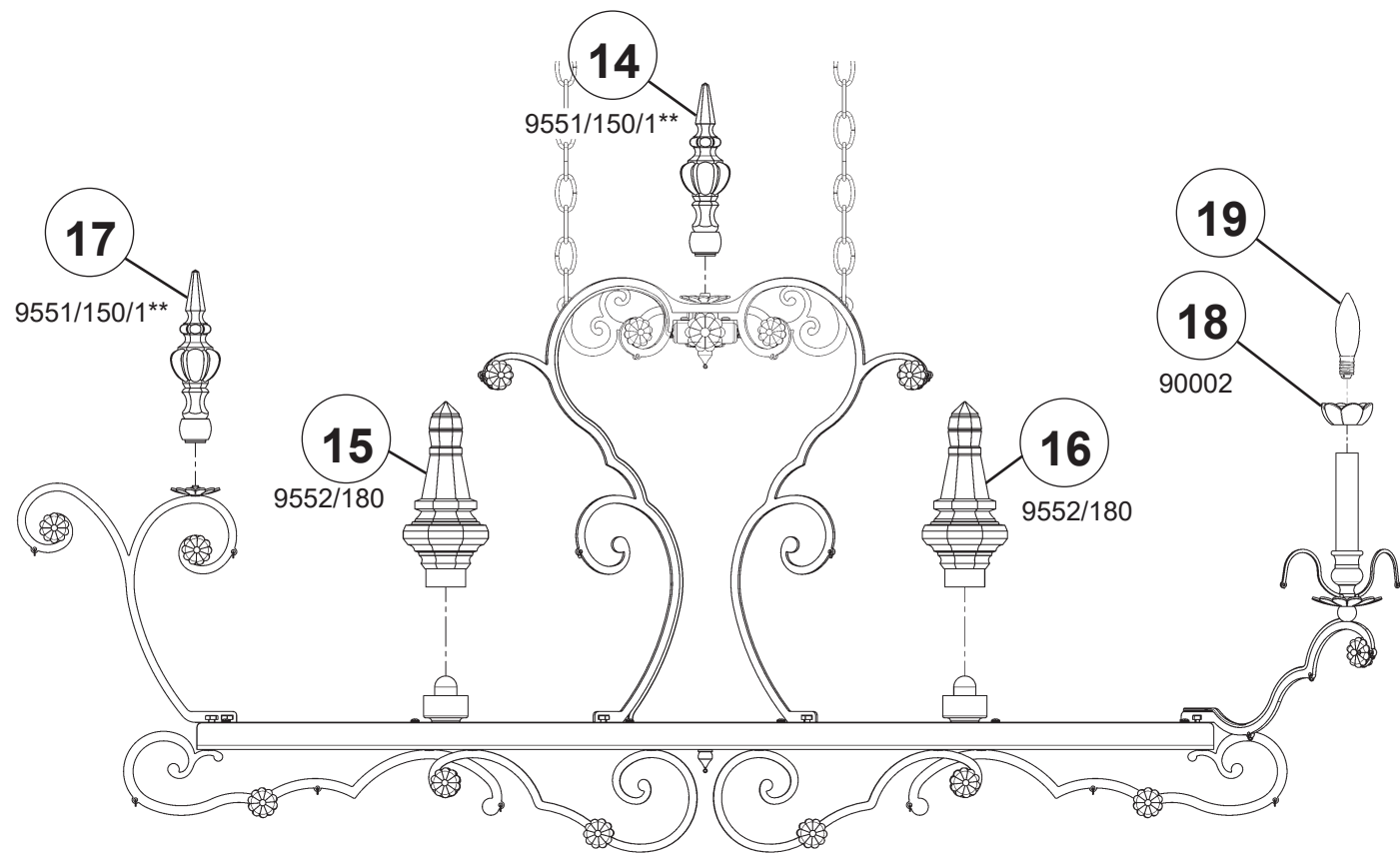


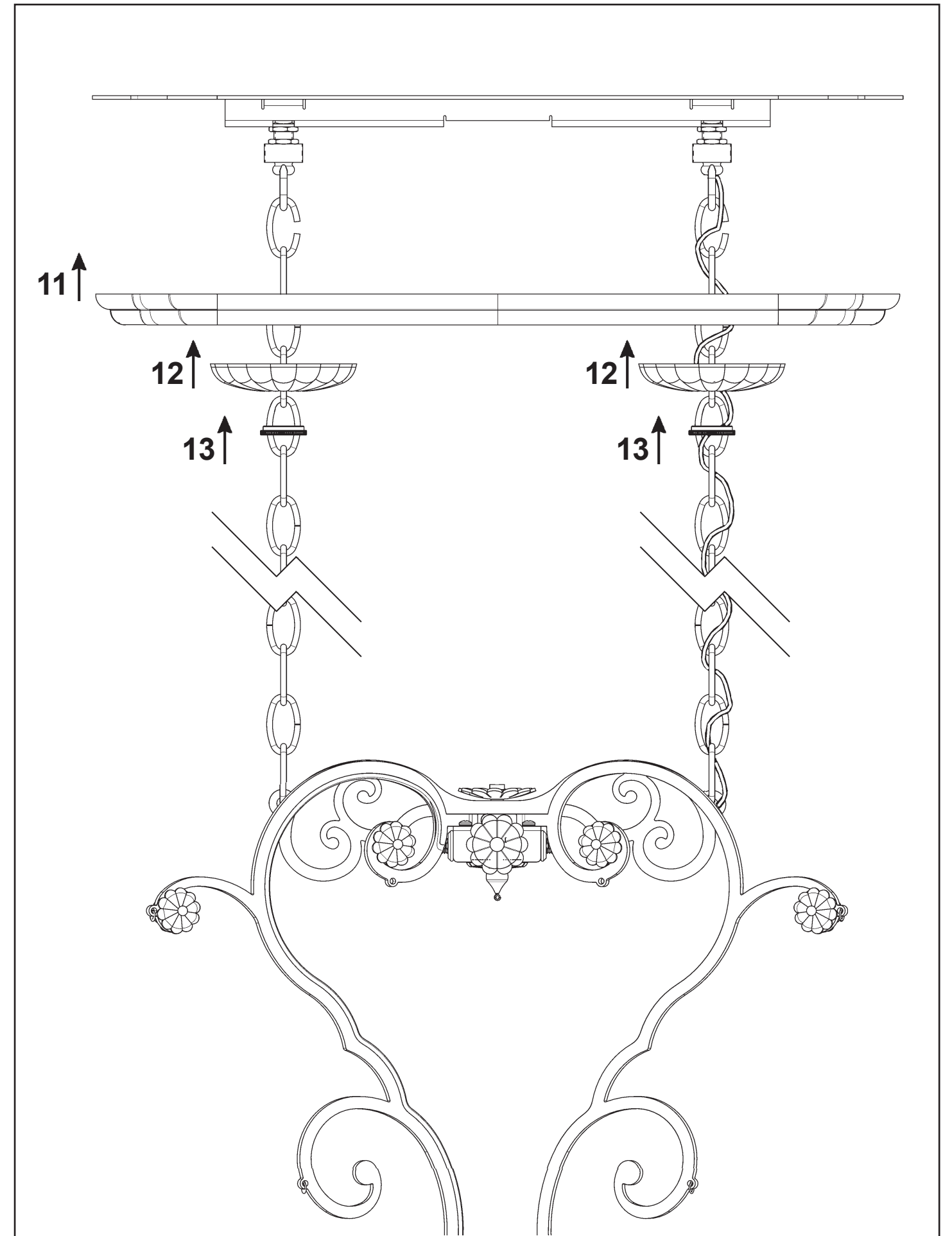
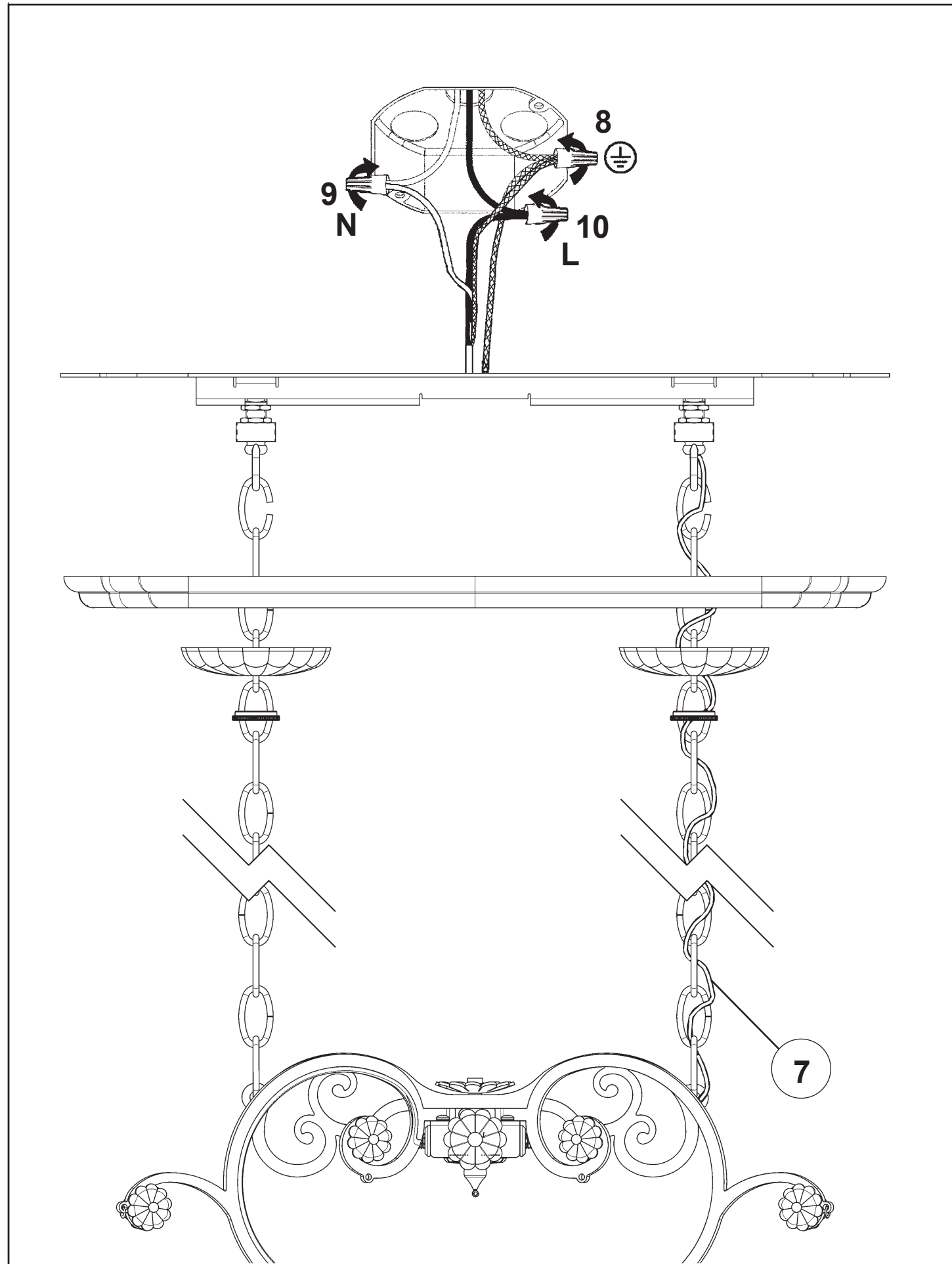
You will need 2 - T7
15 Watts Max
(Center Light - Installed)



You will need 12 - B10
25 Watts Recommended
60 Watts Max

Install bulbs and be sure
to test fixture **BEFORE**
trimming.





 **SCHONBEK** | 1870











RENAISSANCE
3796N- _ _ _ _ _



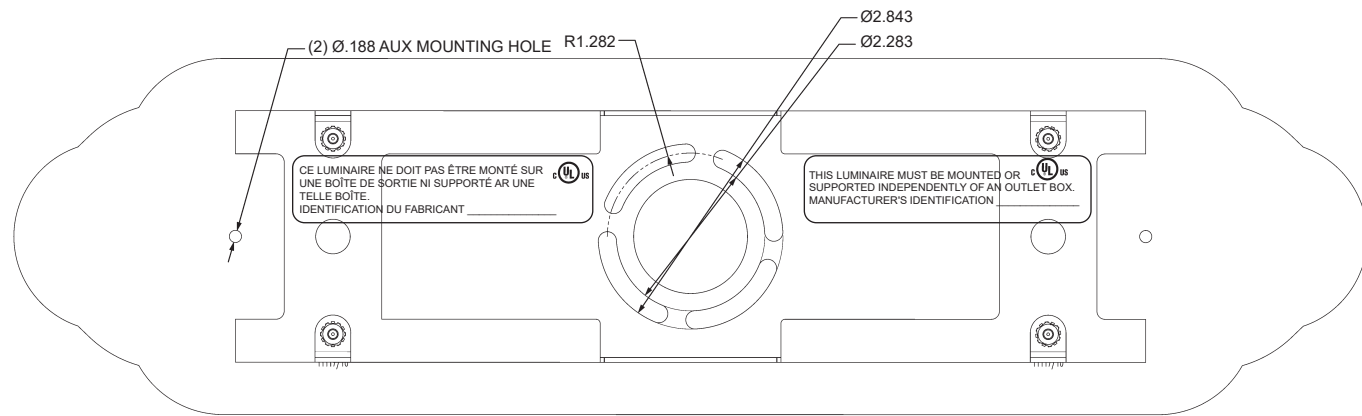
THIS DESIGN IS THE PROPRIETARY TRADE DRESS/TRADemark OF W SCHONBEK LLC.

12 + 2 Lights
Length: 56"
Width: 23"
Height: 34"
Hanging Weight: 56lbs.

 **SCHONBEK** | 1870

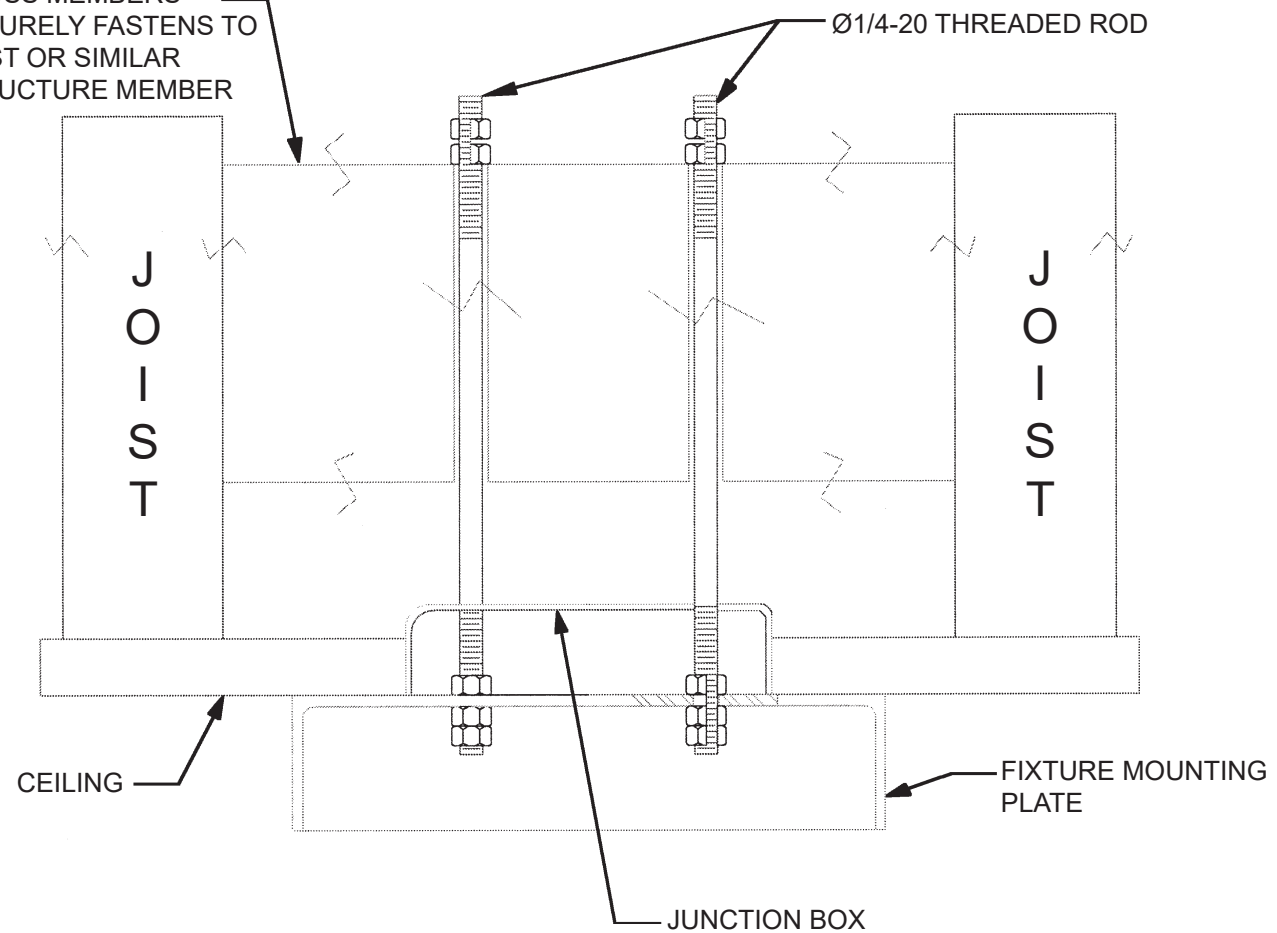
| | | | | | | | | |
|---|---|---|---|---|---|---|---|---|
|  |  |  |  |  |  |  |  |  |
| MAX 60 W | MAX 15 W | 110-120 V |  | | | | | |

NOTE: INSTALLER IS SOLELY RESPONSIBLE FOR PROPER MOUNTING!

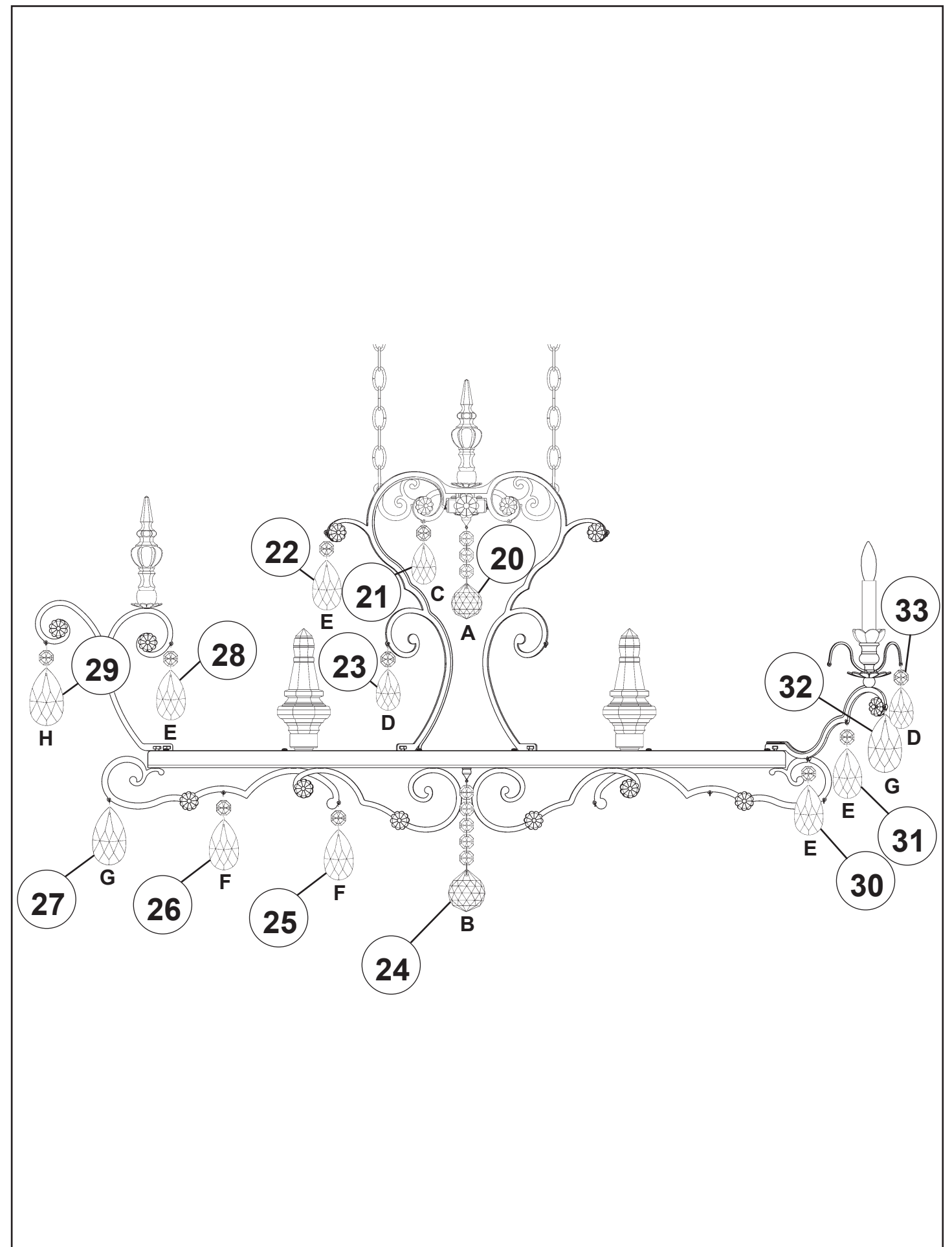


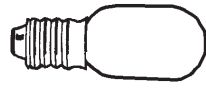
PLAN VIEW OF MOUNTING BRACKET

CROSS MEMBERS SECURELY FASTENS TO JOIST OR SIMILAR STRUCTURE MEMBER



WARNING: MOUNTING CONFIGURATION AND HARDWARE MUST HOLD 4X THE WEIGHT OF THE FIXTURE. MOUNTING DESIGN AND FIXTURE INSTALLATION SHOULD BE CONDUCTED BY A QUALIFIED LICENSED PROFESSIONAL.





You will need 2 - T7
15 Watts Max
(Center Light - Installed)



You will need 12 - B10
25 Watts Recommended
60 Watts Max

Install bulbs and be sure
to test fixture **BEFORE**
trimming.

