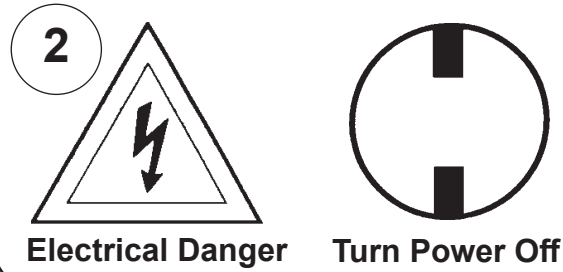


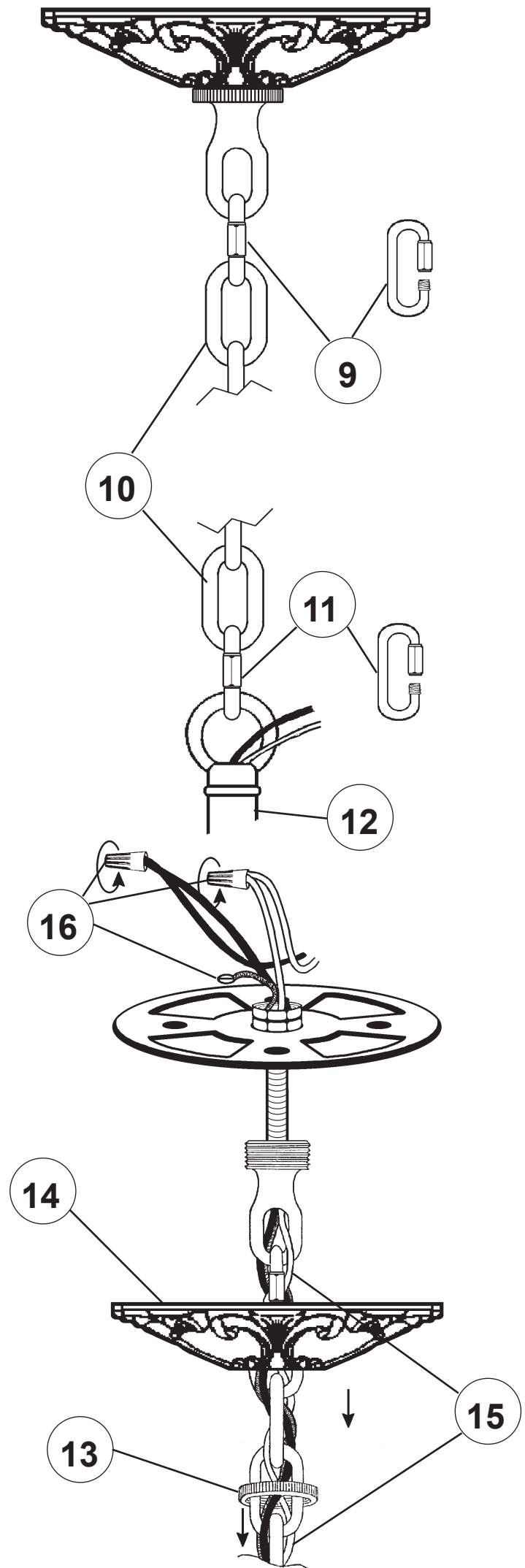
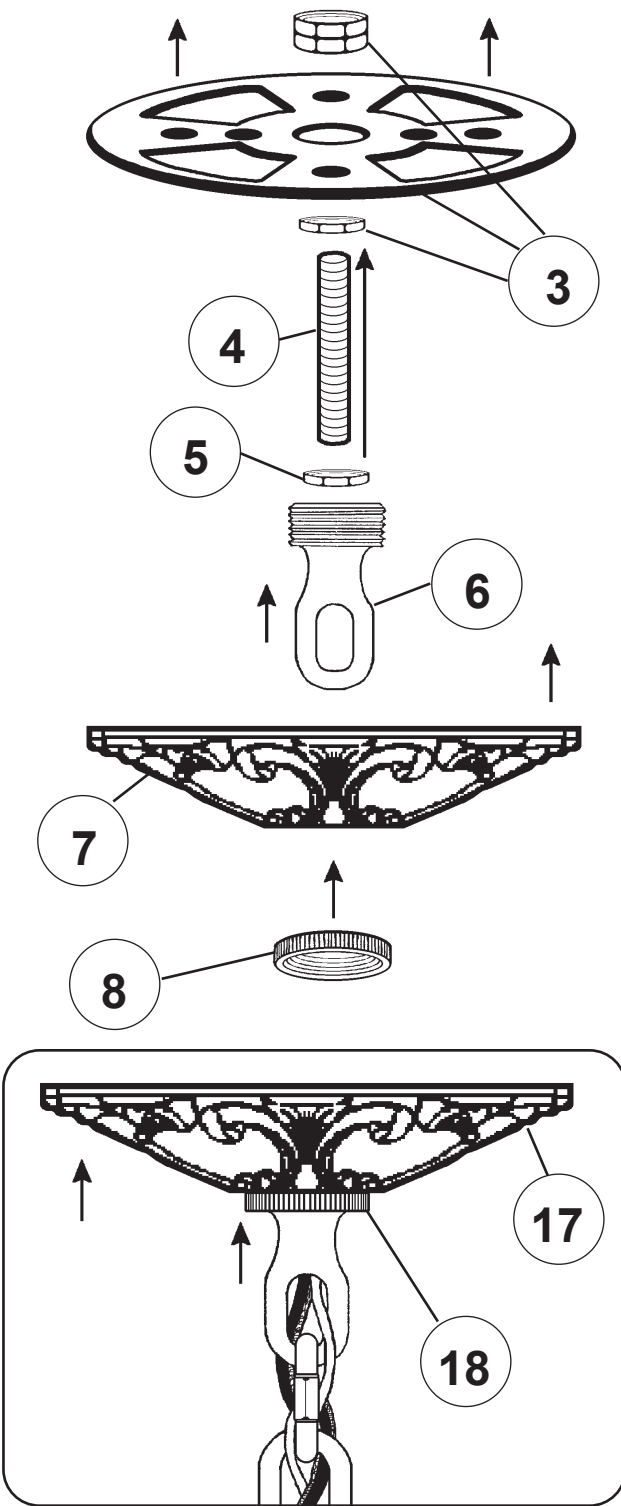
Instructions for electrician STEPS 2 - 18

WARNING: THIS LUMINAIRE MUST BE MOUNTED OR SUPPORTED INDEPENDENTLY OF AN OUTLET BOX.

WARNING:



All electrical components must be installed by a licensed electrician in accordance with the National Electric Code and the appropriate local electrical codes.



CHANDELIER 5008- _____ TRIM DIAGRAM

(Finish Option)



10 Lights
Diameter: 28"
Body Length: 38"
Hanging Weight: 50 lbs.

THIS DESIGN IS THE PROPRIETARY TRADE DRESS/TRADEMARK OF W SCHONBEK LLC.

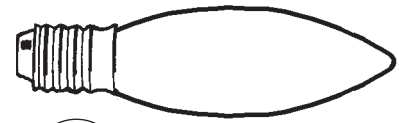


See diagram on back page
Follow steps in exact order
Save this trim diagram for future reference

1 **IMPORTANT**
Person who opens carton should record the following information for future service.
CODE # _____ Four-digit number on outside of carton.
PACKER # _____ See crystal package label.
ORDER # _____ See crystal package label.

Instructions for crystal trimming

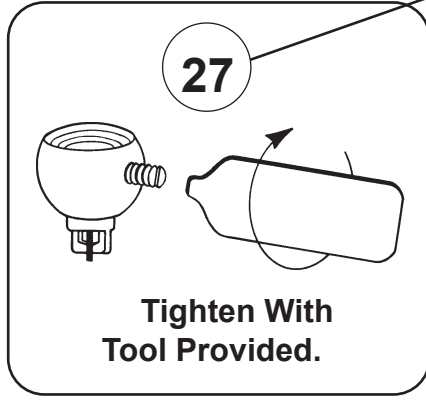
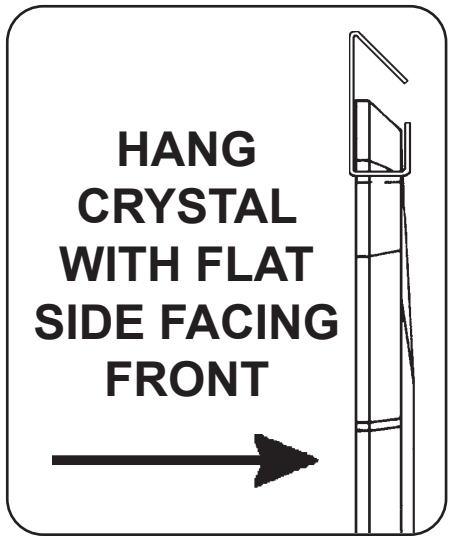
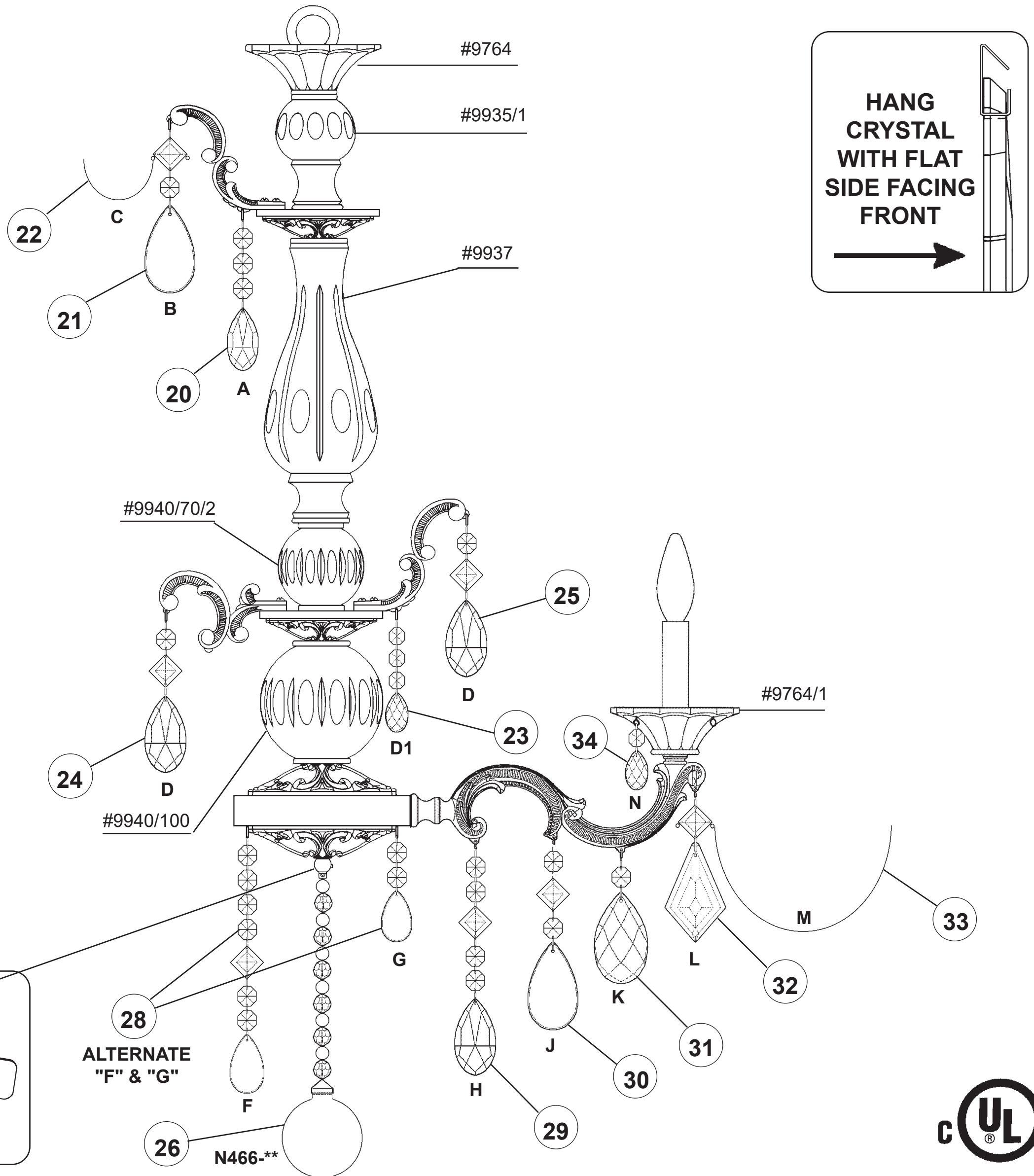
STEPS 19 - 34



19

You will need 10 - B10
25 Watts Recommended
60 Watts Max

Install bulbs and be sure
to test fixture **BEFORE**
trimming.



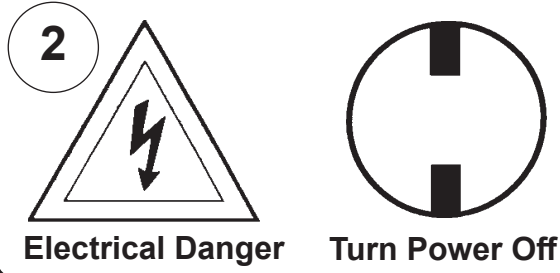
ALTERNATE
"F" & "G"



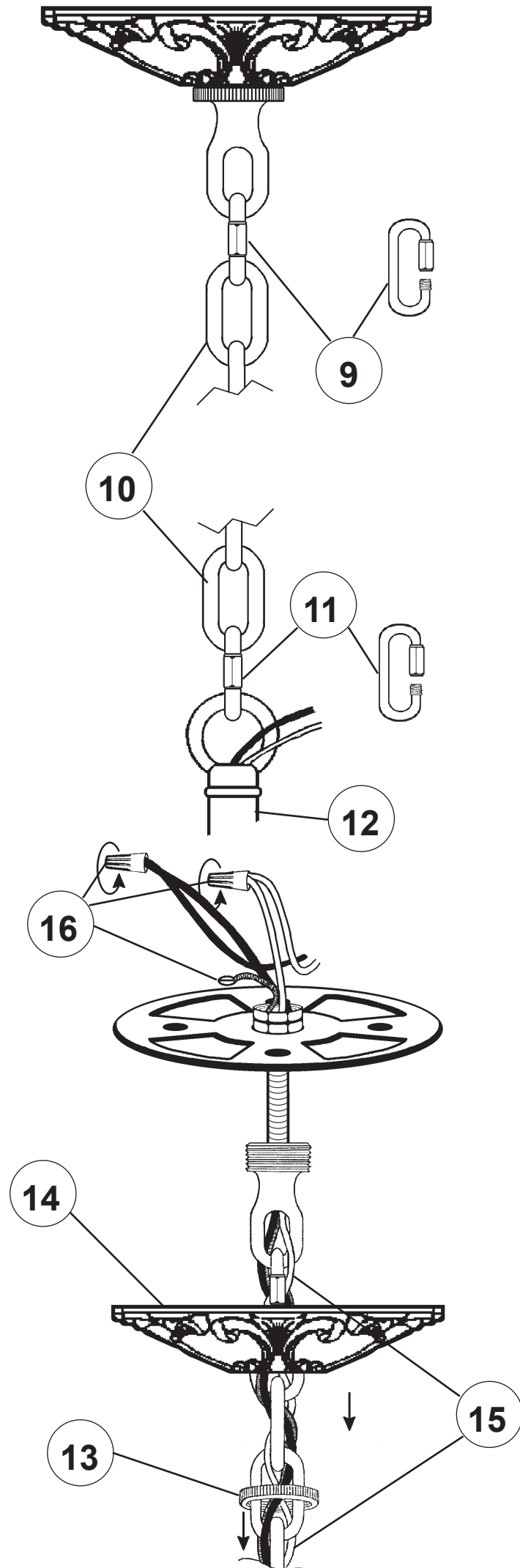
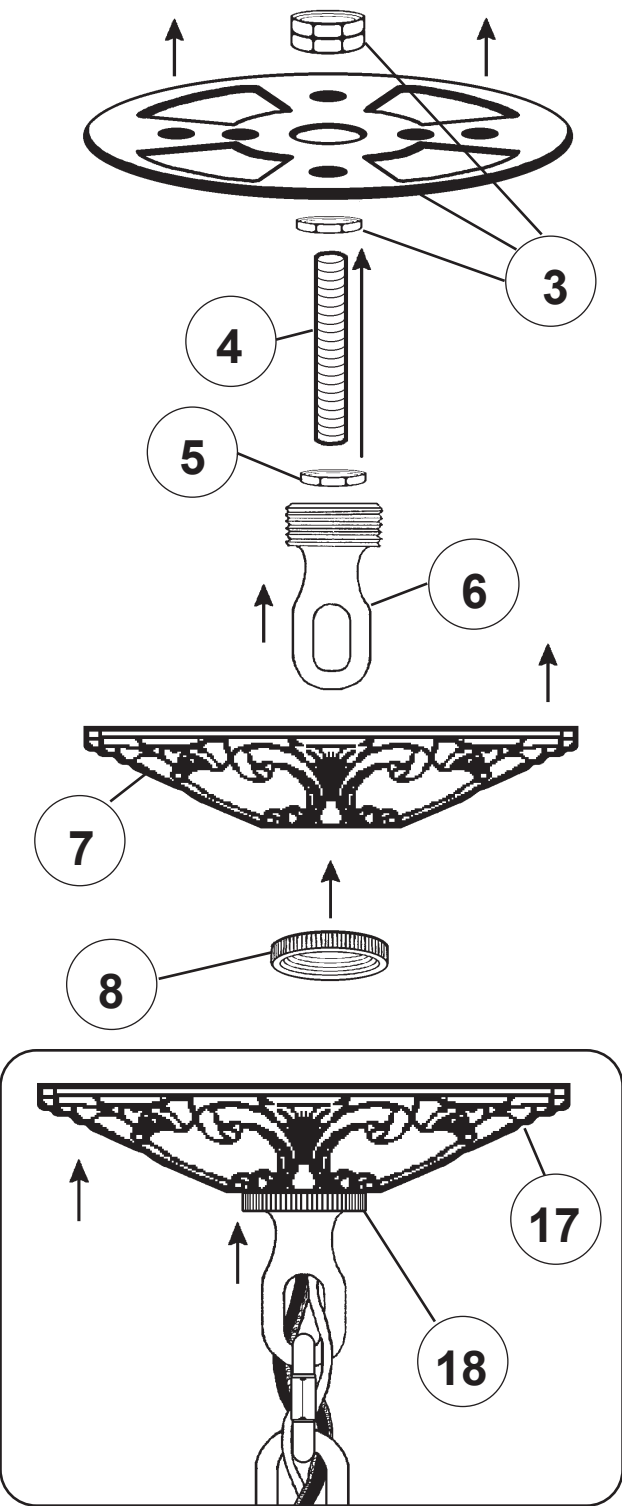
Instructions for electrician STEPS 2 - 18

WARNING: THIS LUMINAIRE MUST BE MOUNTED OR SUPPORTED INDEPENDENTLY OF AN OUTLET BOX.

WARNING:



All electrical components must be installed by a licensed electrician in accordance with the National Electric Code and the appropriate local electrical codes.



CHANDELIER 5008-___ __R TRIM DIAGRAM

(Finish Option)



10 Lights
Diameter: 28"
Body Length: 38"
Hanging Weight: 50 lbs.

THIS DESIGN IS THE PROPRIETARY TRADE DRESS/TRADEMARK OF W SCHONBEK LLC.



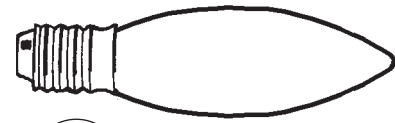
See diagram on back page
Follow steps in exact order
Save this trim diagram for future reference

1 **IMPORTANT**
Person who opens carton should record the following information for future service.

CODE # _____ Four-digit number on outside of carton.
PACKER # _____ See crystal package label.
ORDER # _____ See crystal package label.

Instructions for crystal trimming

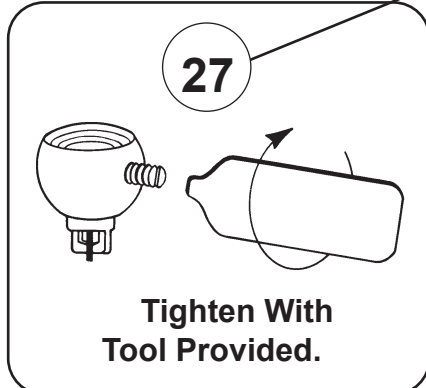
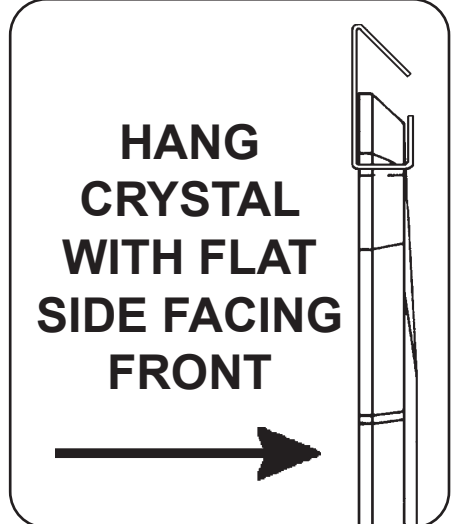
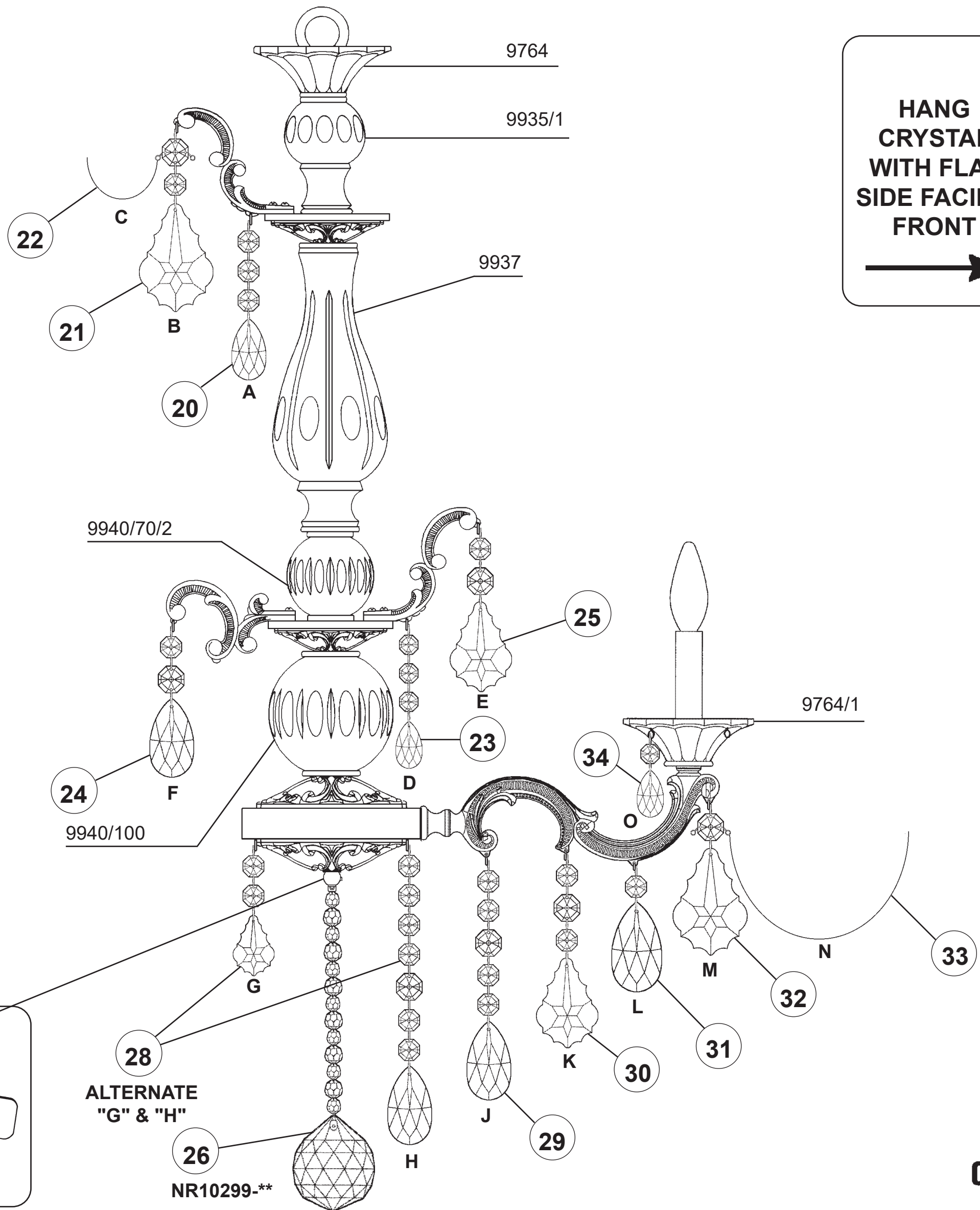
STEPS 19 - 34



19

You will need 10 - B10
25 Watts Recommended
60 Watts Max

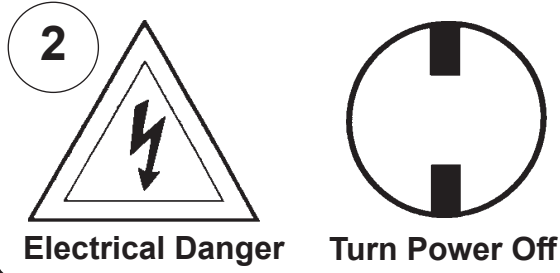
Install bulbs and be sure
to test fixture **BEFORE**
trimming.



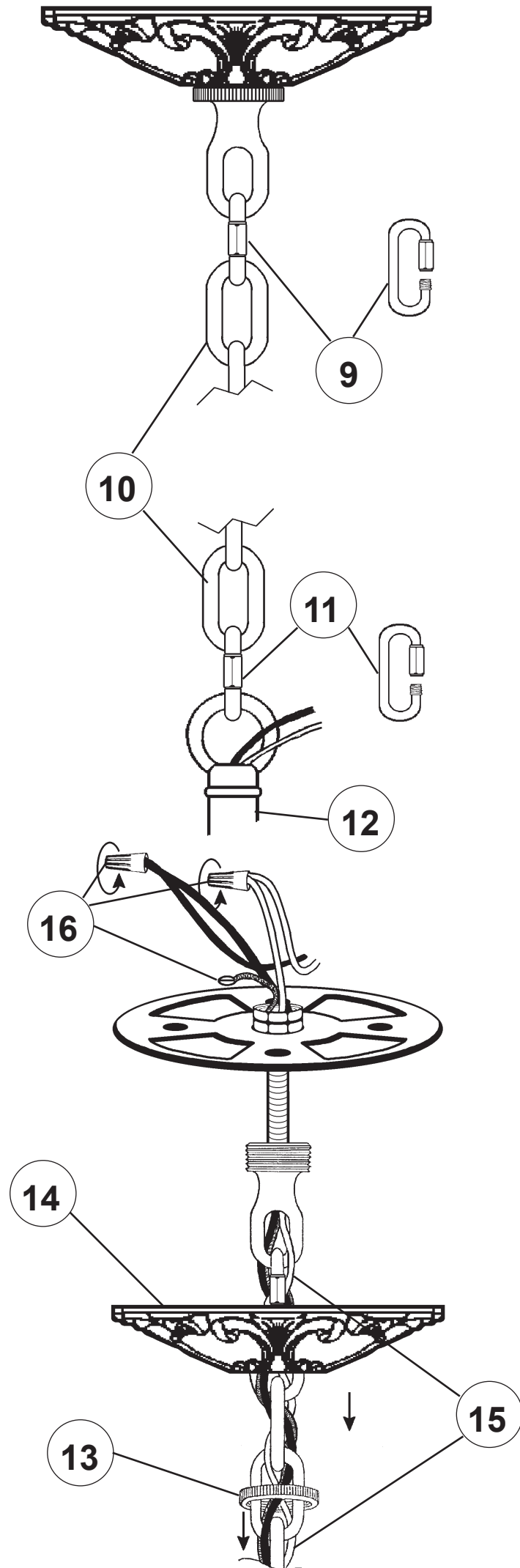
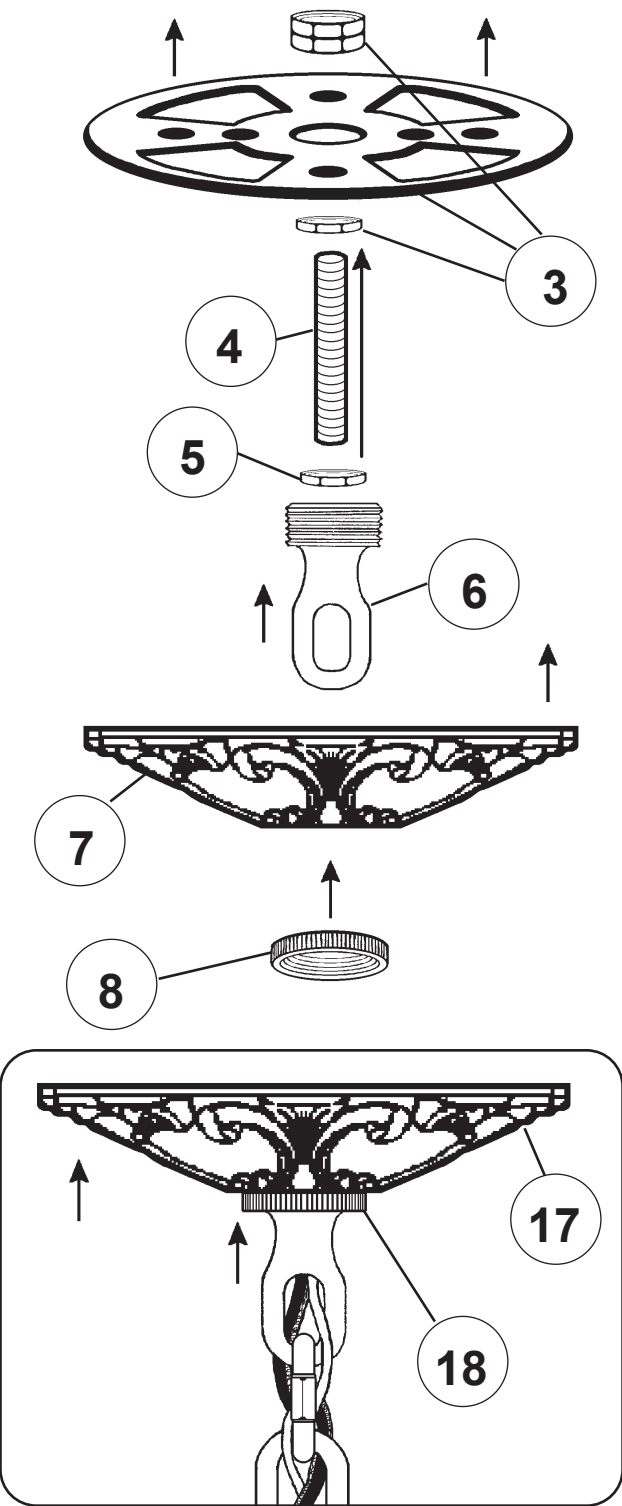
Instructions for electrician STEPS 2 - 18

WARNING: THIS LUMINAIRE MUST BE MOUNTED OR SUPPORTED INDEPENDENTLY OF AN OUTLET BOX.

WARNING:



All electrical components must be installed by a licensed electrician in accordance with the National Electric Code and the appropriate local electrical codes.



CHANDELIER 5008- _____ TRIM DIAGRAM

(Finish Option) (Trim Option)



10 Lights
Diameter: 28"
Body Length: 38"
Hanging Weight: 50 lbs.

THIS DESIGN IS THE PROPRIETARY TRADE DRESS/TRADEMARK OF W SCHONBEK LLC.



See diagram on back page
Follow steps in exact order
Save this trim diagram for future reference

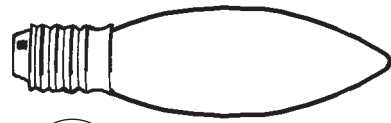
1 **IMPORTANT**
Person who opens carton should record the following information for future service.

CODE # _____	Four-digit number on outside of carton.
PACKER # _____	See crystal package label.
ORDER # _____	See crystal package label.



Instructions for crystal trimming

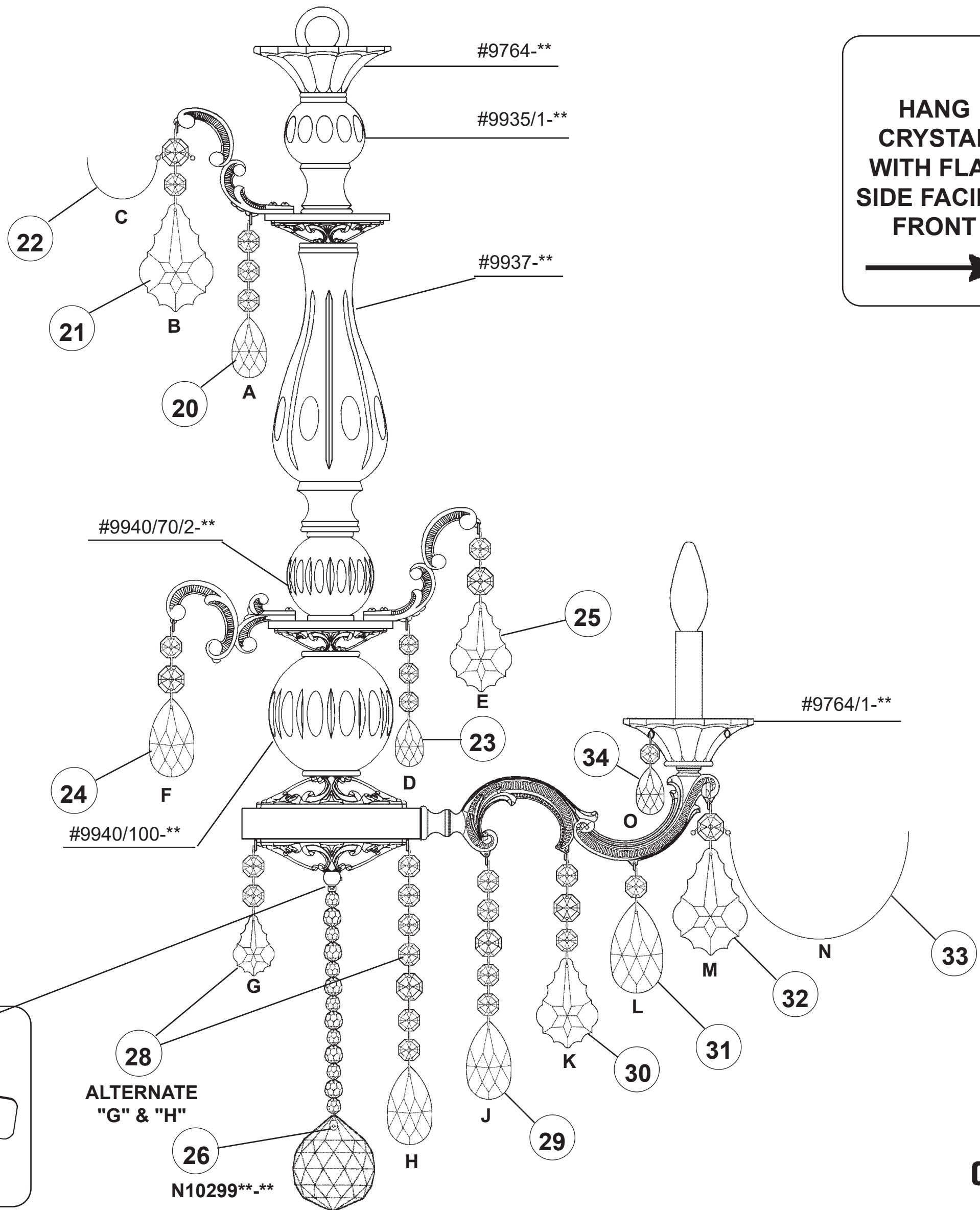
STEPS 19 - 34



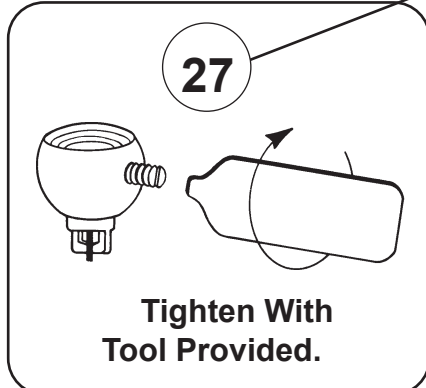
19

You will need 10 - B10
25 Watts Recommended
60 Watts Max

Install bulbs and be sure
to test fixture BEFORE
trimming.



HANG
CRYSTAL
WITH FLAT
SIDE FACING
FRONT



28
ALTERNATE
"G" & "H"

26
N10299**-**

