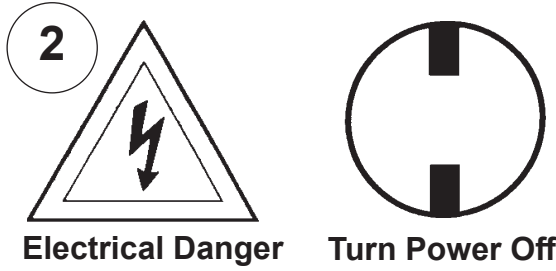


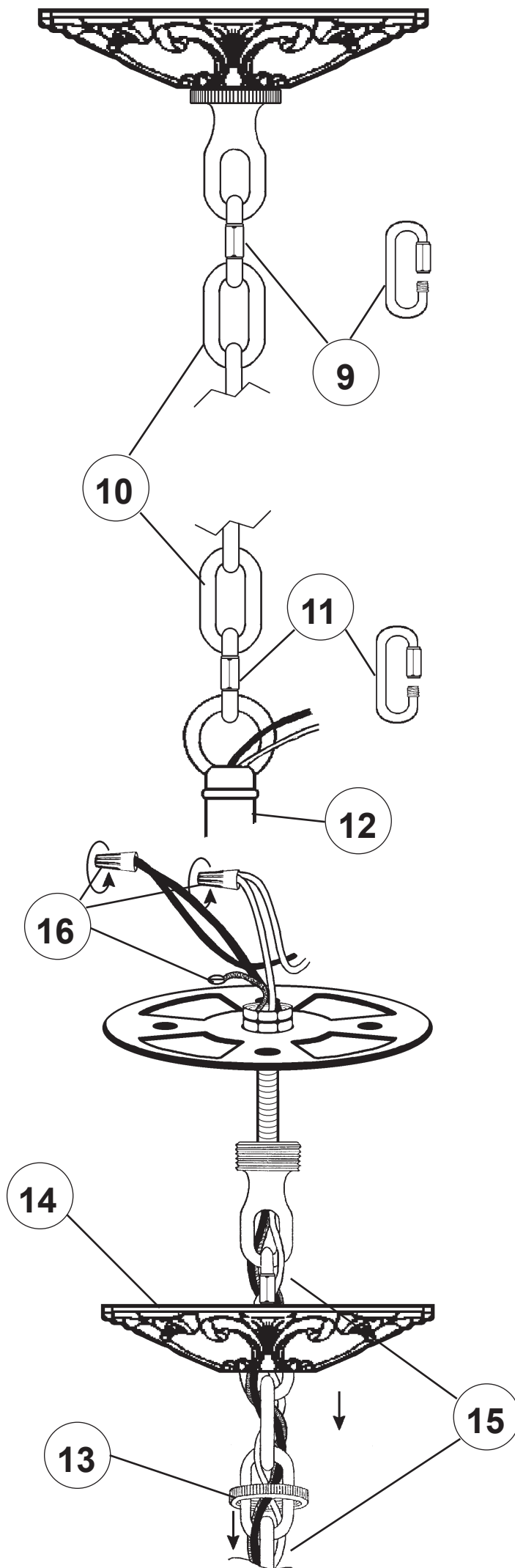
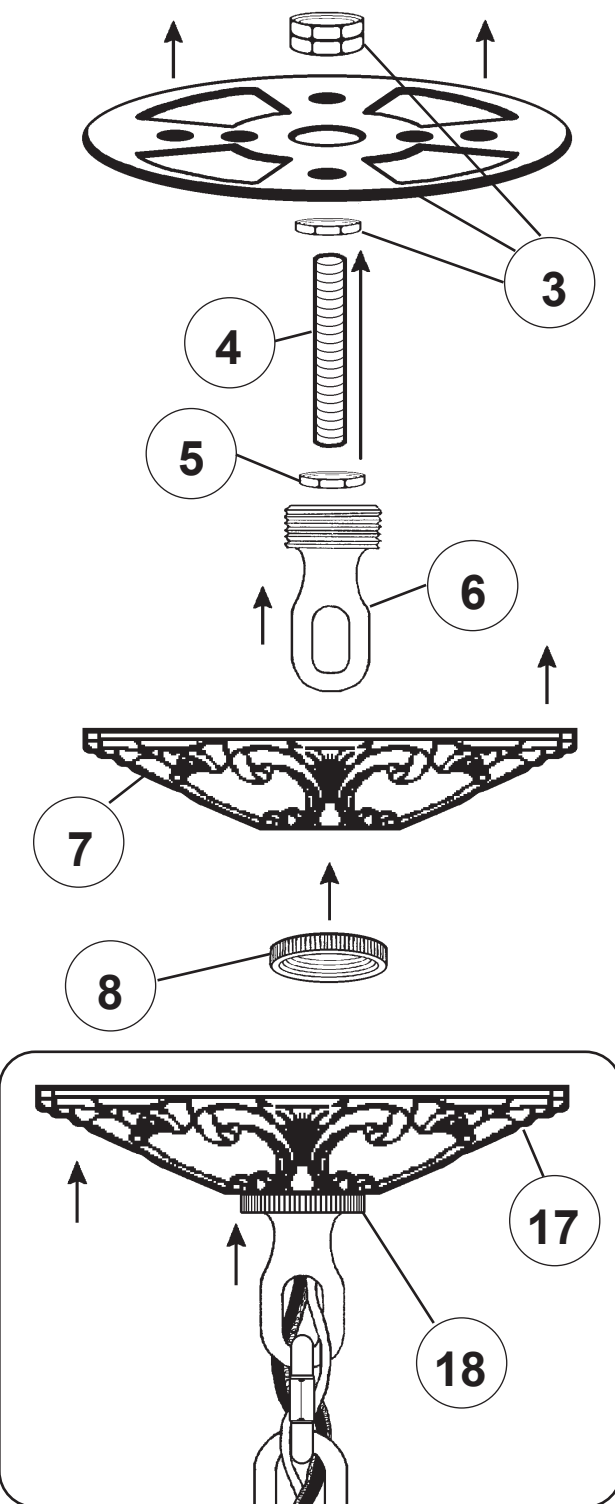
Instructions for electrician STEPS 2 - 18

WARNING: THIS LUMINAIRE MUST BE MOUNTED OR SUPPORTED INDEPENDENTLY OF AN OUTLET BOX.

WARNING:

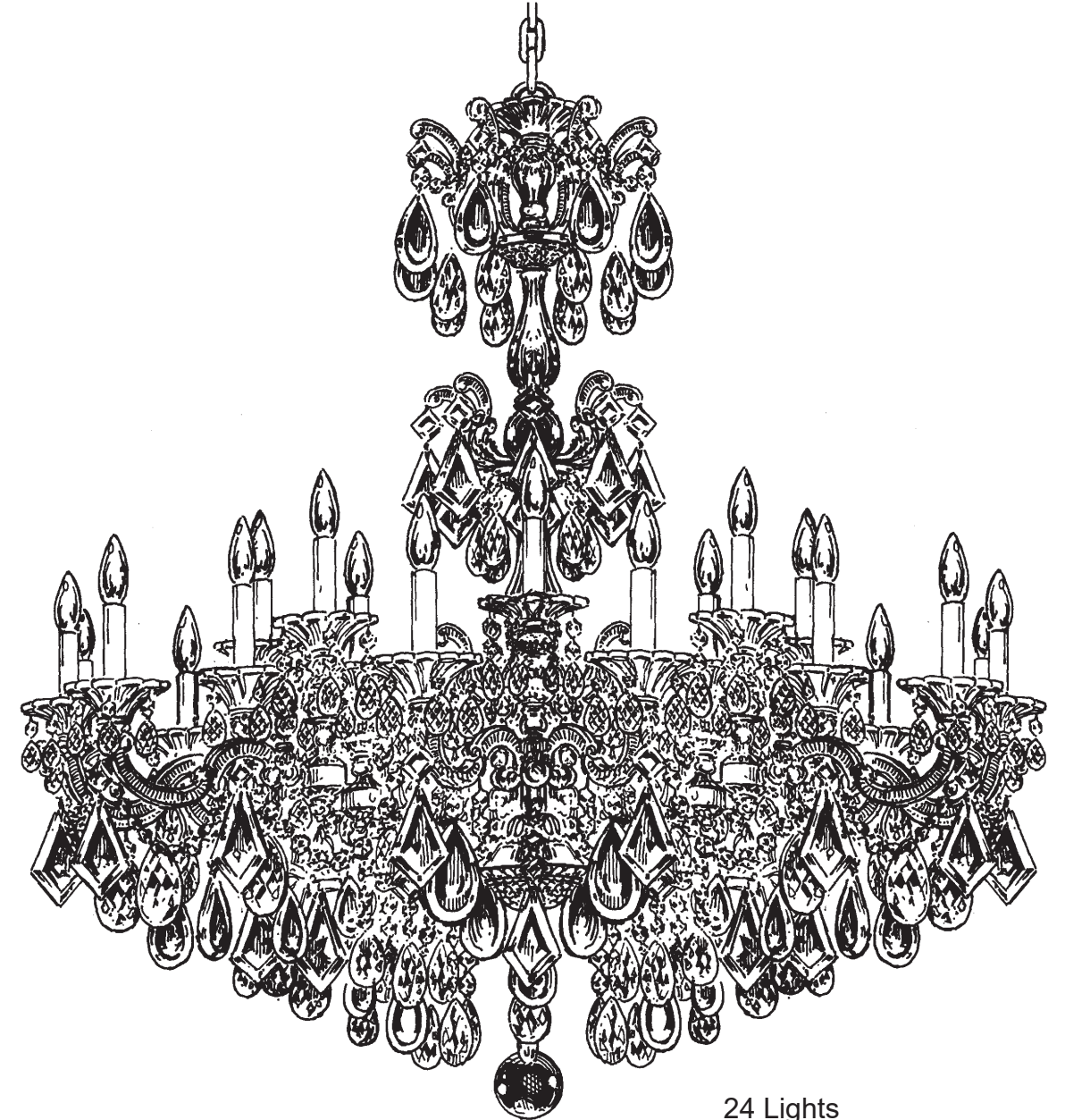


All electrical components must be installed by a licensed electrician in accordance with the National Electric Code and the appropriate local electrical codes.



CHANDELIER 5013-____ TRIM DIAGRAM

(Finish Option)



24 Lights
Diameter: 46"
Body Length: 48"
Hanging Weight: 102 lbs.

THIS DESIGN IS THE PROPRIETARY TRADE DRESS/TRADEMARK OF W SCHONBEK LLC.



SCHONBEK | 1870

See diagram on back page
Follow steps in exact order
Save this trim diagram for future reference

1

IMPORTANT

Person who opens carton should record the following information for future service.

CODE # _____ Four-digit number on outside of carton.
PACKER # _____ See crystal package label.
ORDER # _____ See crystal package label.

Instructions for crystal trimming STEPS 19 - 45

STEPS #2 - #18 ON BACK PAGE

19 Use lock washer and nut to secure arms in place.

20 Connect white arm wires to neutral column wire (ribbed or marked is neutral). Connect black arm wires to power wire in column. **NO MORE THAN 5 - WIRES PER WIRE NUT.** Use electrical tape to secure wire nuts. Carefully press wires as close as possible to the underside of both washers.

21 Attach the washers (top and bottom) with the lock washer and nut. Attach the bottom dish with the rosette and the round nut. Install candle slips and bobèche onto arms.

22 You will need 24 - B10 25 Watts Recommended 60 Watts Max

Install bulbs and be sure to test fixture **BEFORE** trimming.

HANG CRYSTAL WITH FLAT SIDE TO FRONT

32

Tighten With Tool Provided.

#9764

#9935/1

#9934

#9940/70/1

#9937

#9930

#9764/1

#9764/1

#9940/70/1

N475-**

23, 24, 25, 26, 27, 28, 29, 30, 31, 32, 33, 34, 35, 36, 37, 38, 39, 40, 41, 42, 43, 44, 45

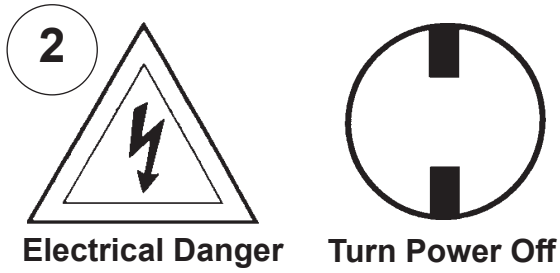
A, B, C, D, E, F, G, H, J, K, L, M, N, O, P, Q, R, S, T, U



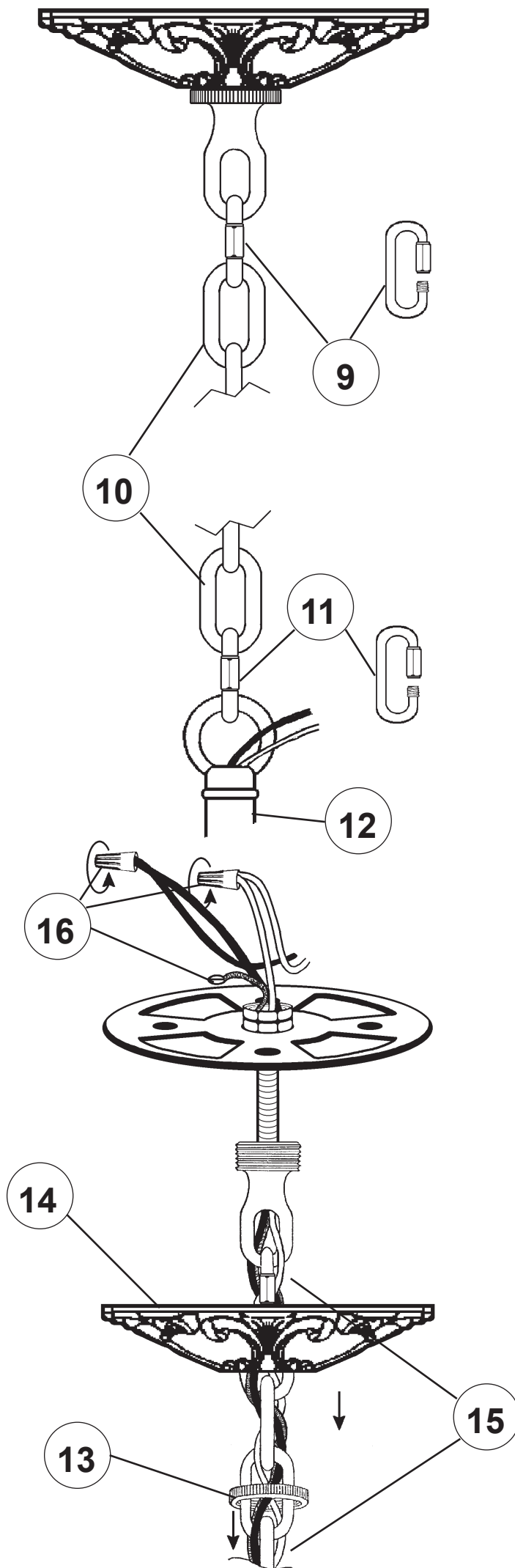
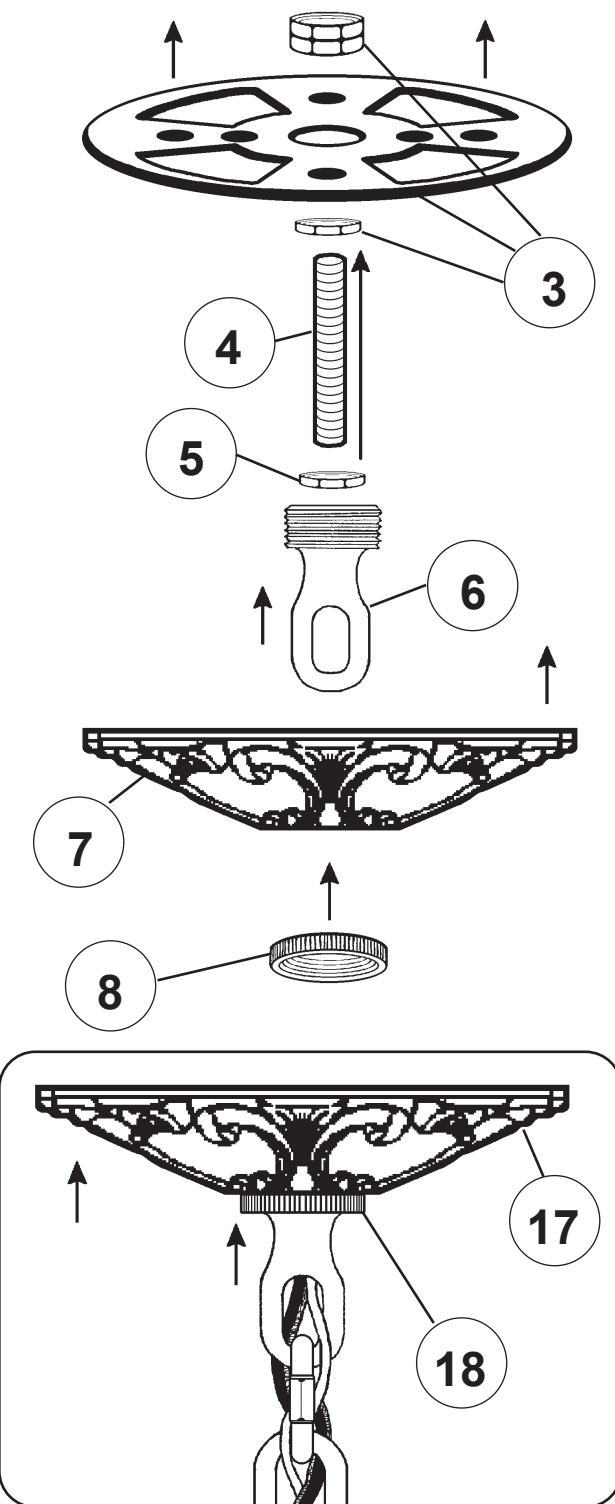
Instructions for electrician STEPS 2 - 18

WARNING: THIS LUMINAIRE MUST BE MOUNTED OR SUPPORTED INDEPENDENTLY OF AN OUTLET BOX.

WARNING:



All electrical components must be installed by a licensed electrician in accordance with the National Electric Code and the appropriate local electrical codes.



CHANDELIER 5013-___ __R TRIM DIAGRAM

(Finish Option)



24 Lights
Diameter: 46"
Body Length: 48"
Hanging Weight: 96 lbs.

THIS DESIGN IS THE PROPRIETARY TRADE DRESS/TRADEMARK OF W SCHONBEK LLC.



SCHONBEK

1870

See diagram on back page
Follow steps in exact order
Save this trim diagram for future reference

1 **IMPORTANT**
Person who opens carton should record the following information for future service.

CODE # _____ Four-digit number on outside of carton.
PACKER # _____ See crystal package label.
ORDER # _____ See crystal package label.



Instructions for crystal trimming STEPS 19 - 45

STEPS #2 - #18 ON BACK PAGE

19 Use lock washer and nut to secure arms in place.

20 Connect white arm wires to neutral column wire (ribbed or marked is neutral). Connect black arm wires to power wire in column. **NO MORE THAN 5 - WIRES PER WIRE NUT.** Use electrical tape to secure wire nuts. Carefully press wires as close as possible to the underside of both washers.

21 Attach the washers (top and bottom) with the lock washer and nut. Attach the bottom dish with the rosette and the round nut. Install candle slips and bobèche onto arms.

Labels: BOTTOM DISH, ROSETTE, ROUND NUT, TOP WASHER, BOTTOM WASHER

22 You will need 24 - B10 25 Watts Recommended 60 Watts Max

Install bulbs and be sure to test fixture **BEFORE** trimming.

HANG CRYSTAL WITH FLAT SIDE TO FRONT

32

Tighten With Tool Provided.

23 9940/70/1

24 9940/70/1

25 9930

26 9940/70/1

27 9940/70/1

28 A, D

29 E

30

31 NR10305-**

32

33 F, G

34 H

35 J, K

36 O

37 P

38 9764/1

39 M

40 N

41 Q

42 R

43 S

44

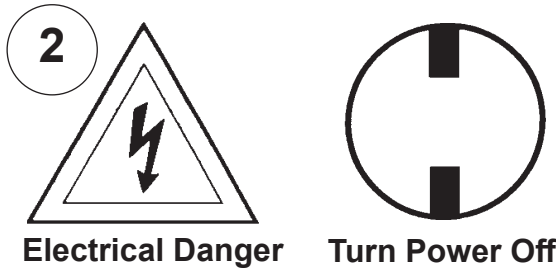
45 9764/1



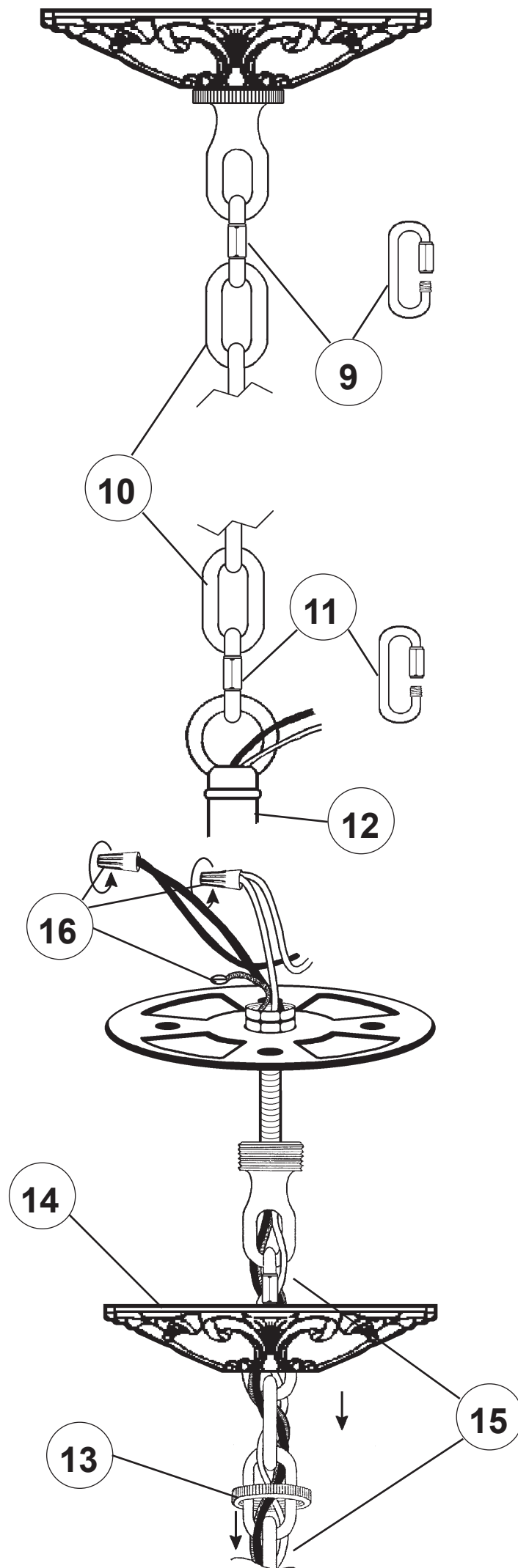
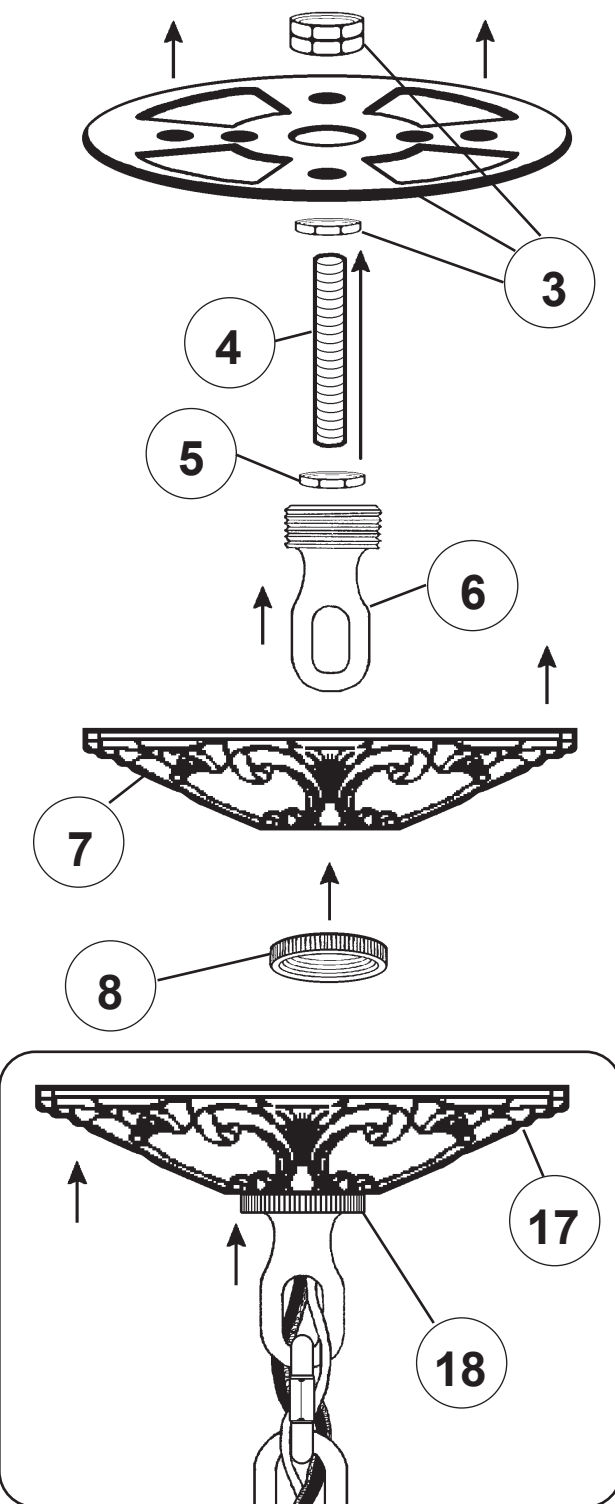
Instructions for electrician STEPS 2 - 18

WARNING: THIS LUMINAIRE MUST BE MOUNTED OR SUPPORTED INDEPENDENTLY OF AN OUTLET BOX.

WARNING:



All electrical components must be installed by a licensed electrician in accordance with the National Electric Code and the appropriate local electrical codes.



CHANDELIER 5013- _____ TRIM DIAGRAM

(Finish Option) (Trim Option)



24 Lights
Diameter: 46"
Body Length: 48"
Hanging Weight: 96 lbs.

THIS DESIGN IS THE PROPRIETARY TRADE DRESS/TRADEMARK OF W SCHONBEK LLC.



SCHONBEK 1870

See diagram on back page
Follow steps in exact order
Save this trim diagram for future reference

1 **IMPORTANT**
Person who opens carton should record the following information for future service.

CODE # _____ Four-digit number on outside of carton.
PACKER # _____ See crystal package label.
ORDER # _____ See crystal package label.

Instructions for crystal trimming

STEPS 19 - 45

STEPS #2 - #18 ON BACK PAGE

19 Use lock washer and nut to secure arms in place.

20 Connect white arm wires to neutral column wire (ribbed or marked is neutral). Connect black arm wires to power wire in column. NO MORE THAN 5 - WIRES PER WIRE NUT. Use electrical tape to secure wire nuts. Carefully press wires as close as possible to the underside of both washers.

21 Attach the washers (top and bottom) with the lock washer and nut. Attach the bottom dish with the rosette and the round nut. Install candle slips and bobèche onto arms.

22 You will need 24 - B10 25 Watts Recommended 60 Watts Max

Install bulbs and be sure to test fixture BEFORE trimming.

HANG CRYSTAL WITH FLAT SIDE TO FRONT

32

Tighten With Tool Provided.

#9764-**

#9935/1-**

#9934-**

#9940/70/1-**

#9937-**

#9764/1-**

#9764/1-**

#9940/70/1-**

#9930-**

N10305**-**

23, 24, 25, 26, 27, 28, 29, 30, 31, 32, 33, 34, 35, 36, 37, 38, 39, 40, 41, 42, 43, 44, 45

A, B, C, D, E, L, M, N, O, P, Q, R, S

