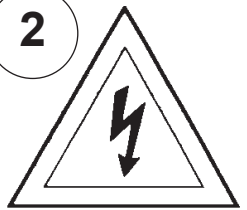


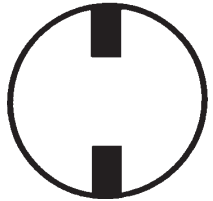
Instructions for electrician
STEPS 2 - 9

WARNING:

2

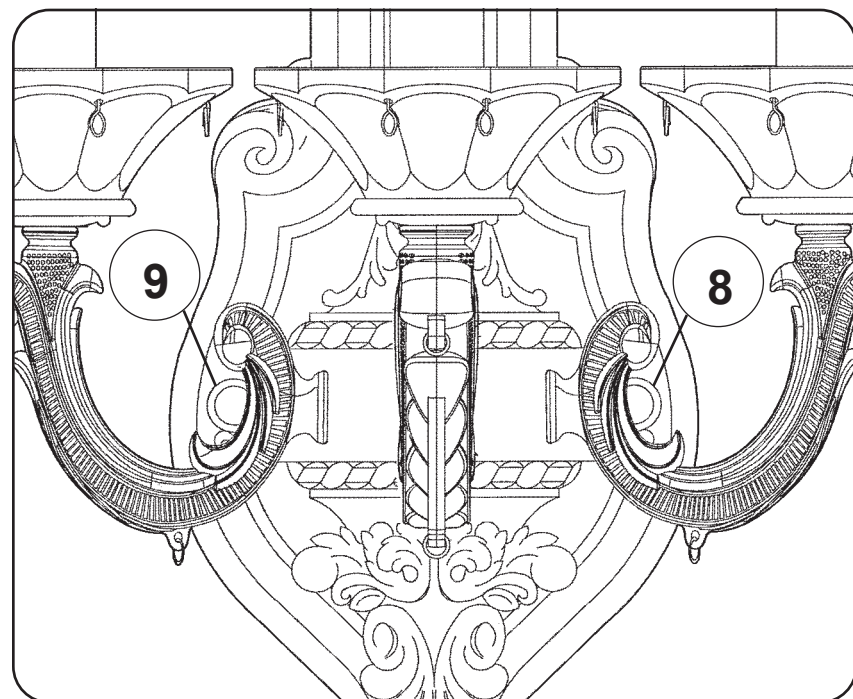
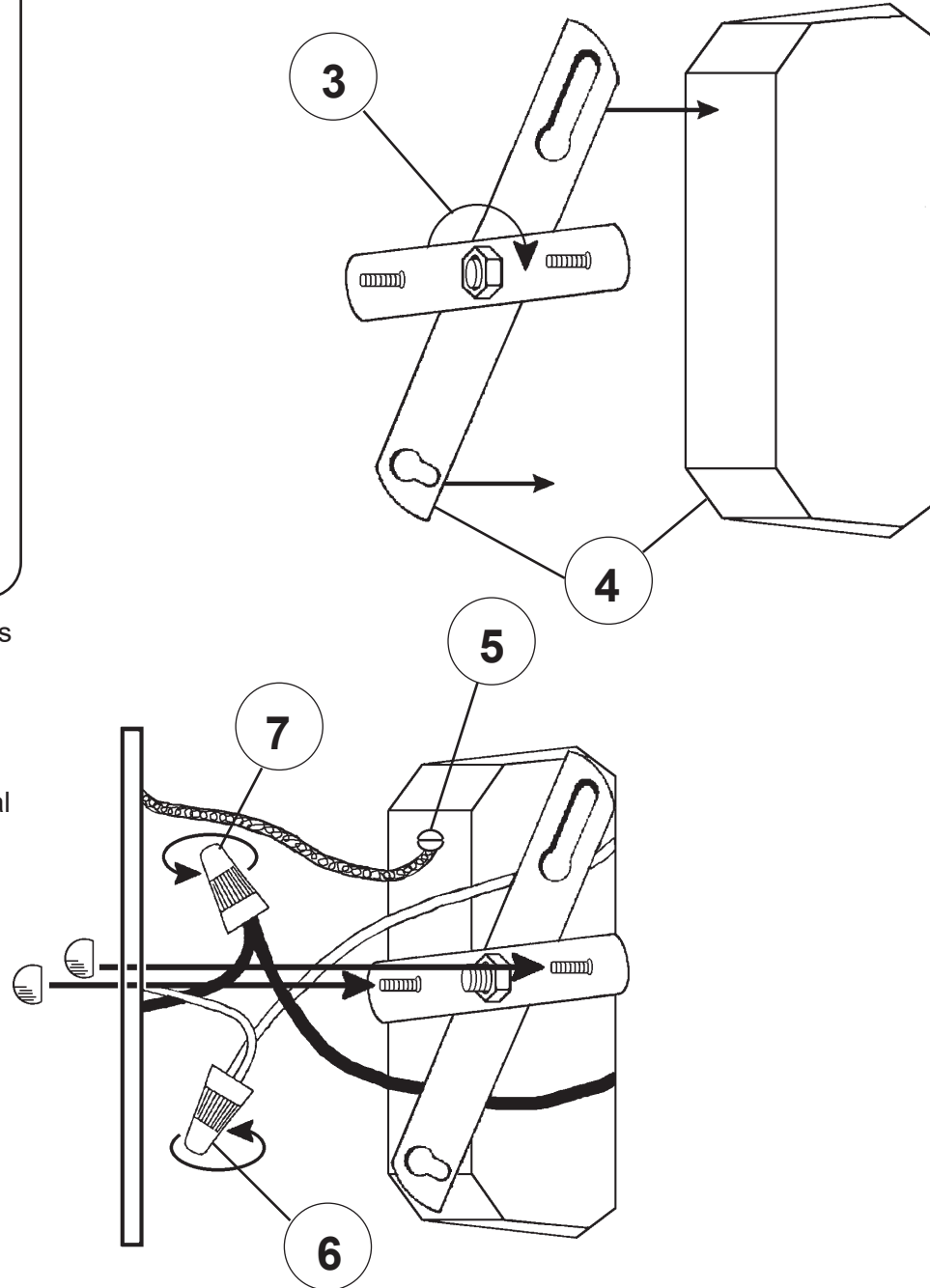


Electrical Danger

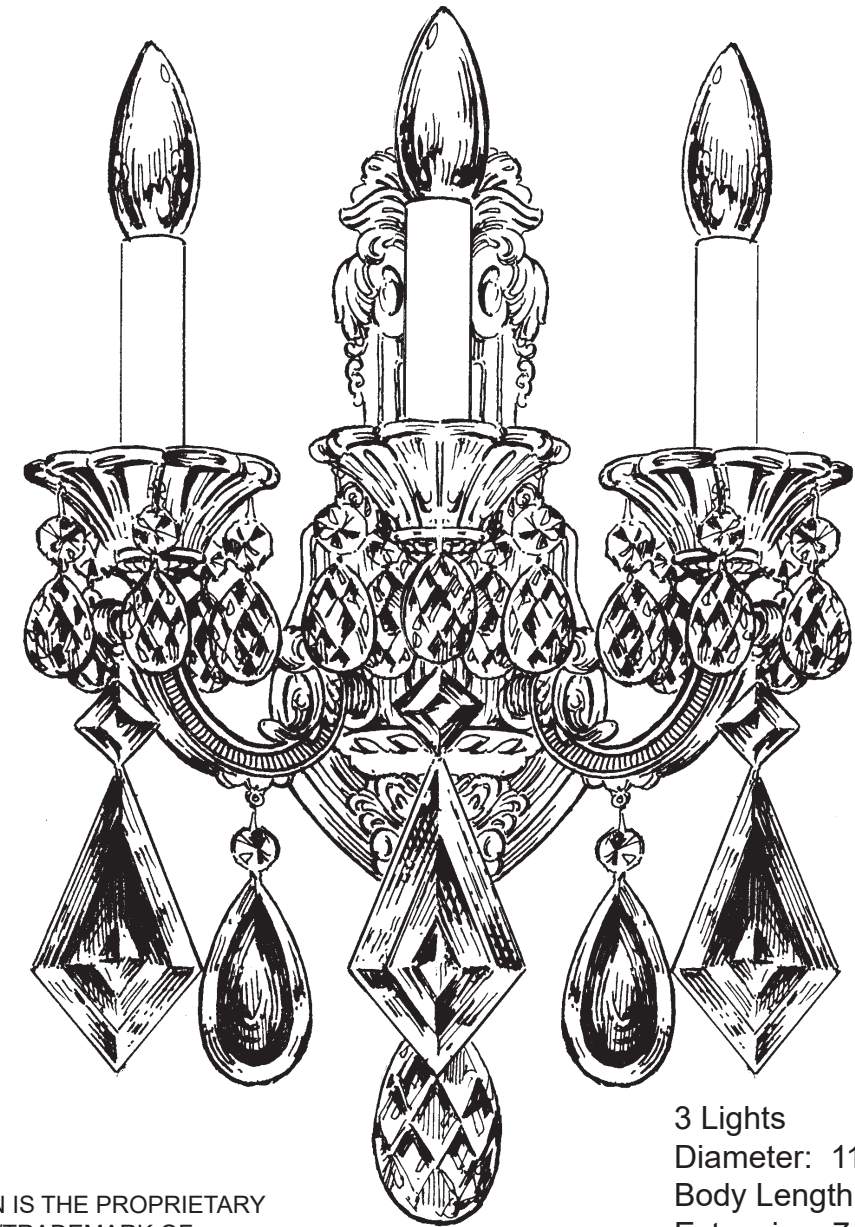


Turn Power Off

All electrical components must be installed by a licensed electrician in accordance with the National Electric Code and the appropriate local electrical codes.



CHANDELIER 5071- _____ TRIM DIAGRAM
(Finish Option)



3 Lights
Diameter: 11-1/2"
Body Length: 17"
Extension: 7-1/2"
Hanging Weight: 5 pounds

THIS DESIGN IS THE PROPRIETARY TRADE DRESS/TRADEMARK OF W SCHONBEK LLC.



SCHONBEK | 1870

See diagram on back page
Follow steps in exact order
Save this trim diagram for future reference

1

IMPORTANT

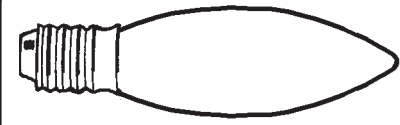
Person who opens carton should record the following information for future service.

CODE # _____ Four-digit number on outside of carton.
PACKER # _____ See crystal package label.
ORDER # _____ See crystal package label.



Instructions for crystal trimming

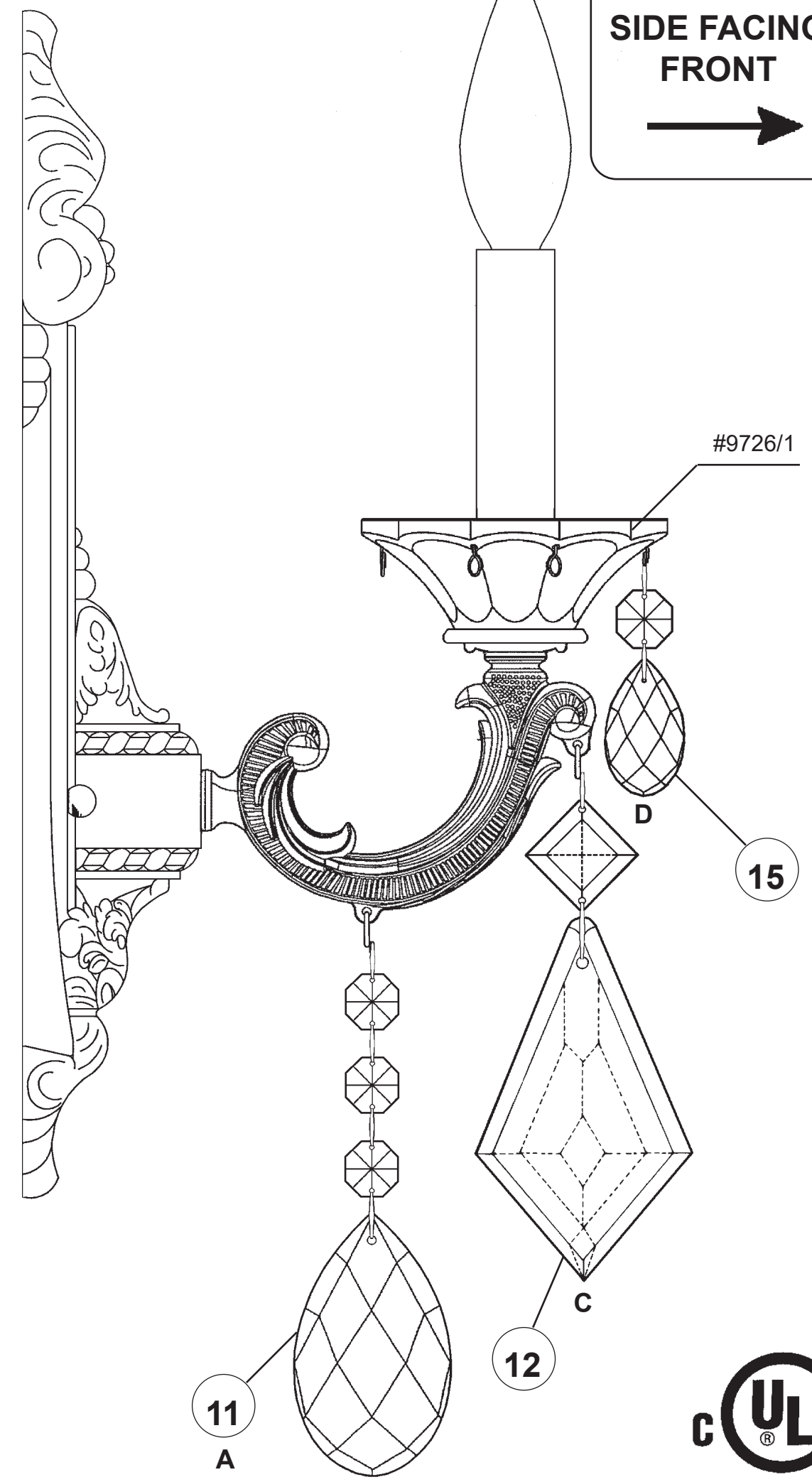
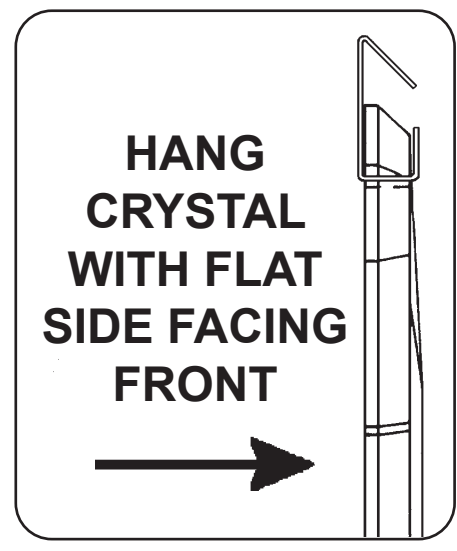
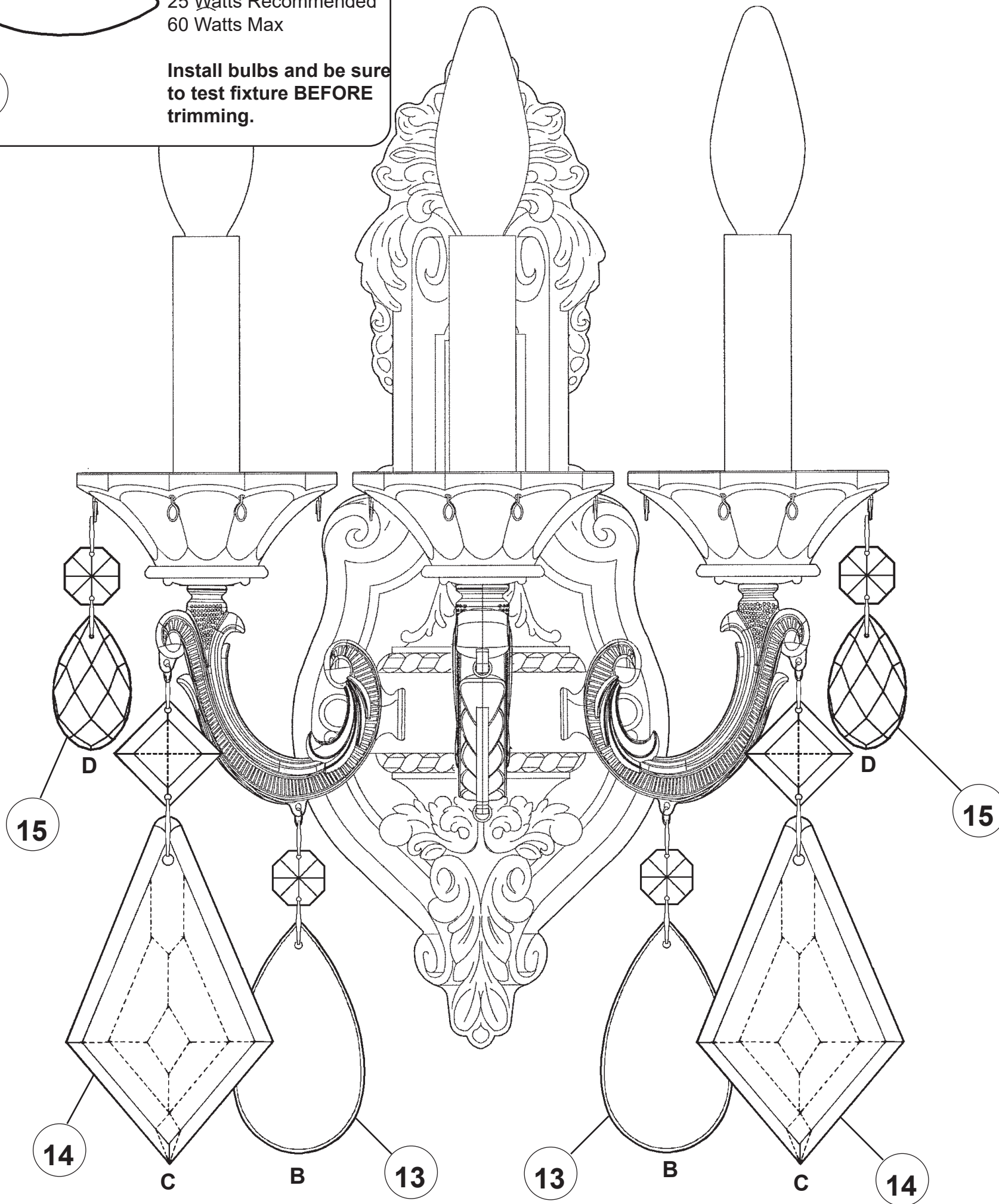
STEPS 10 - 15



You will need 3 - B10
25 Watts Recommended
60 Watts Max

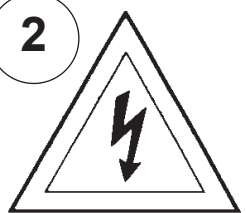
10

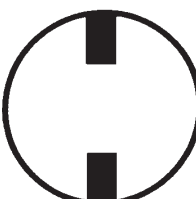
Install bulbs and be sure
to test fixture **BEFORE**
trimming.



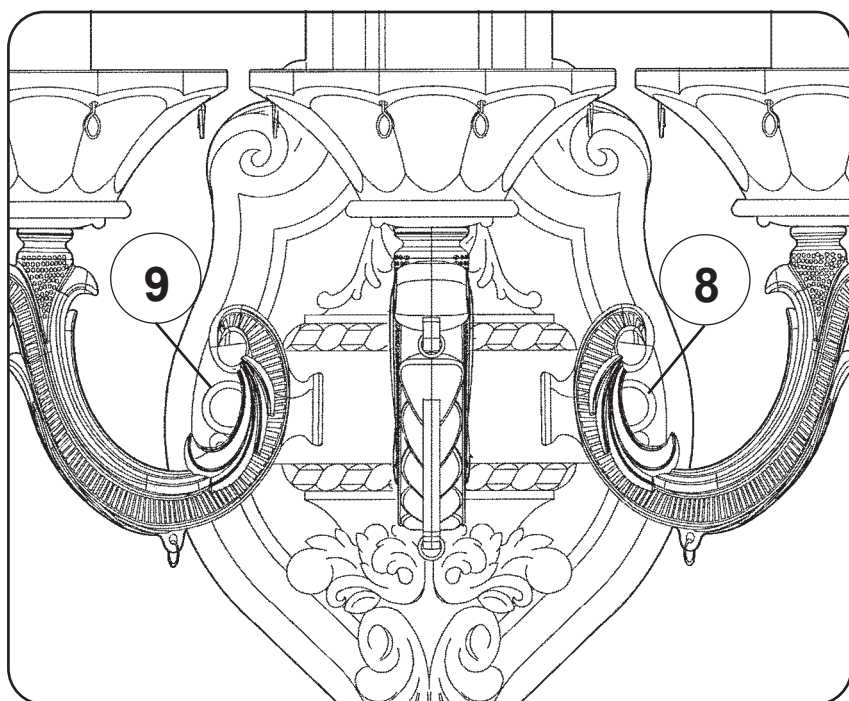
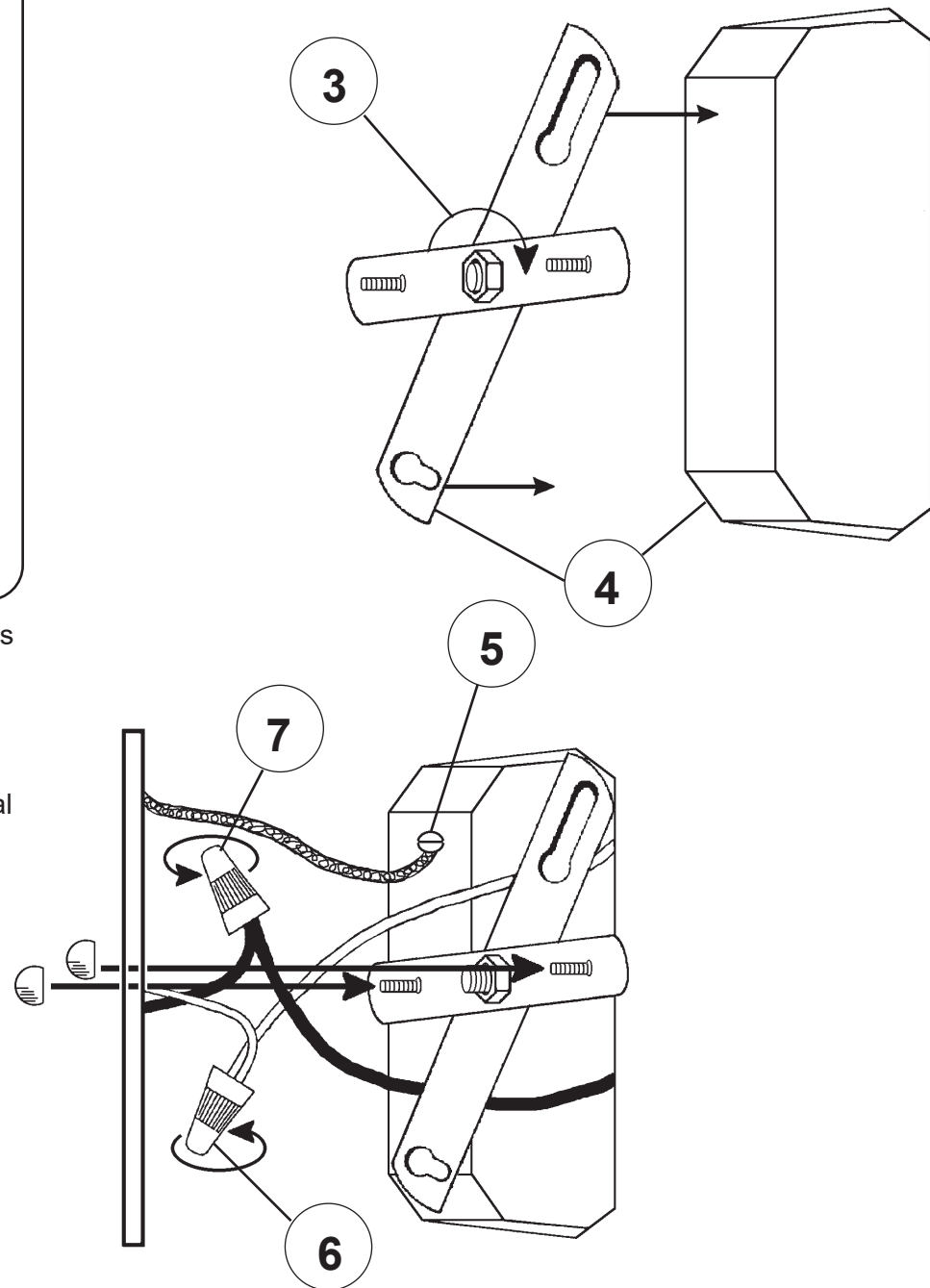
Instructions for electrician
STEPS 2 - 9

WARNING:

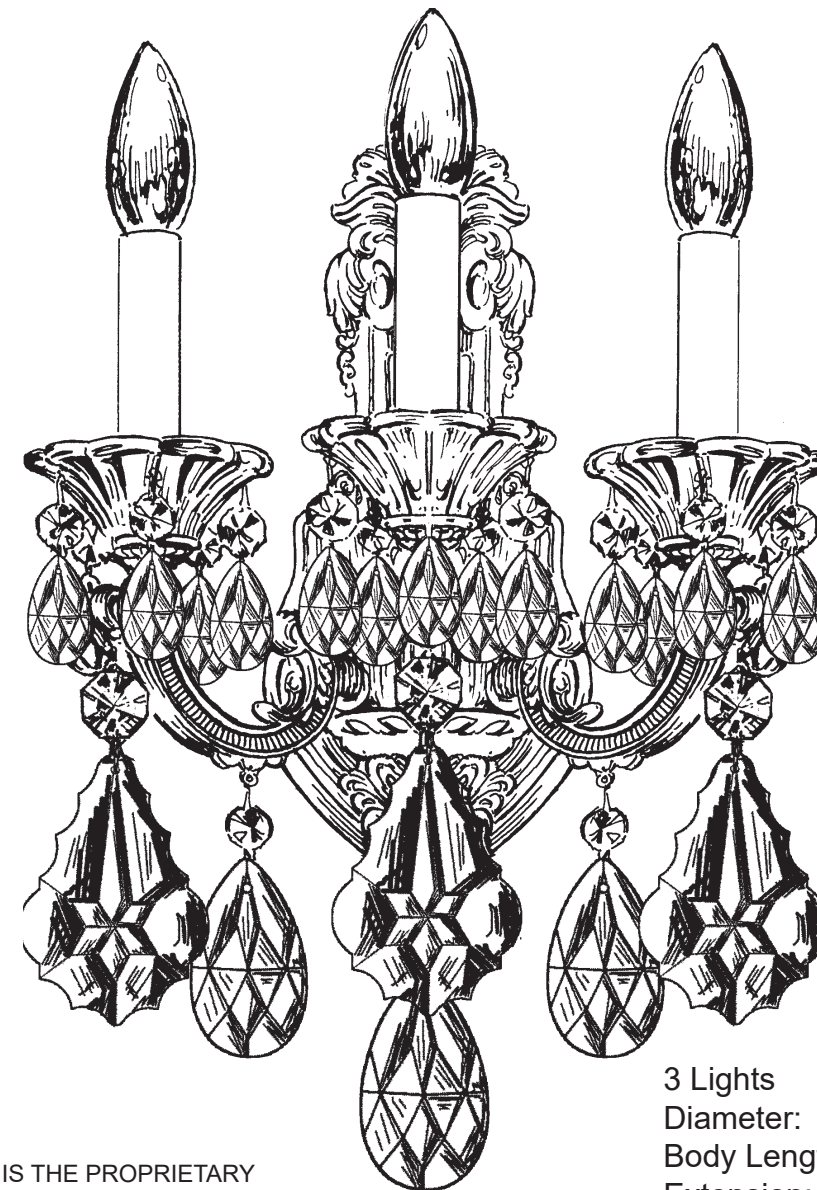
2 
Electrical Danger


Turn Power Off

All electrical components must be installed by a licensed electrician in accordance with the National Electric Code and the appropriate local electrical codes.



CHANDELIER 5071-____R TRIM DIAGRAM
(Finish Option)



3 Lights
Diameter: 11-1/2"
Body Length: 17"
Extension: 7-1/2"
Hanging Weight: 5 lbs.

THIS DESIGN IS THE PROPRIETARY TRADE DRESS/TRADEMARK OF W SCHONBEK LLC.



See diagram on back page
Follow steps in exact order
Save this trim diagram for future reference

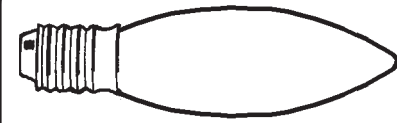
IMPORTANT

1 **Person who opens carton should record the following information for future service.**

CODE #	_____	Four-digit number on outside of carton.
PACKER #	_____	See crystal package label.
ORDER #	_____	See crystal package label.



Instructions for crystal trimming
STEPS 10 - 15

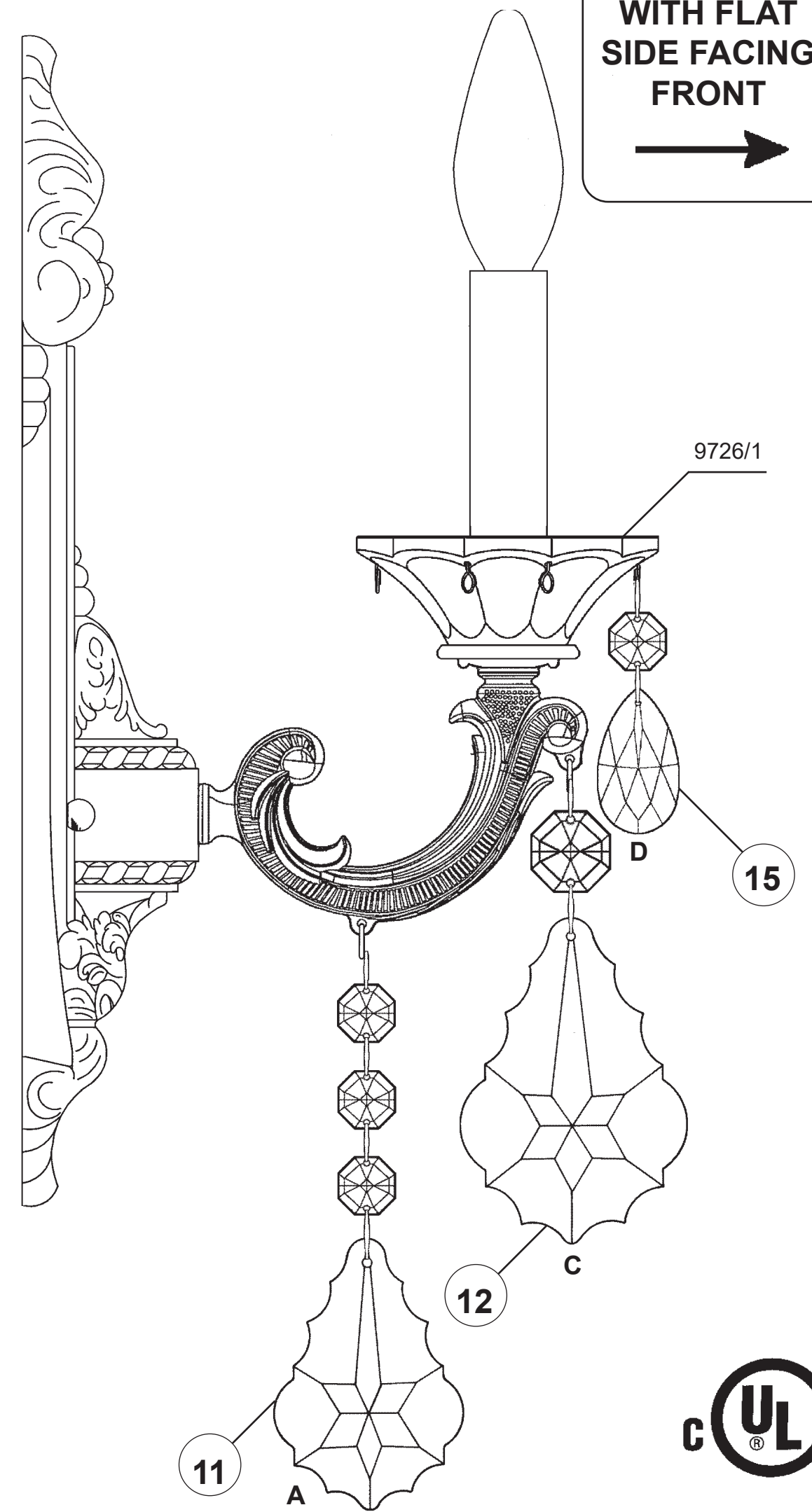
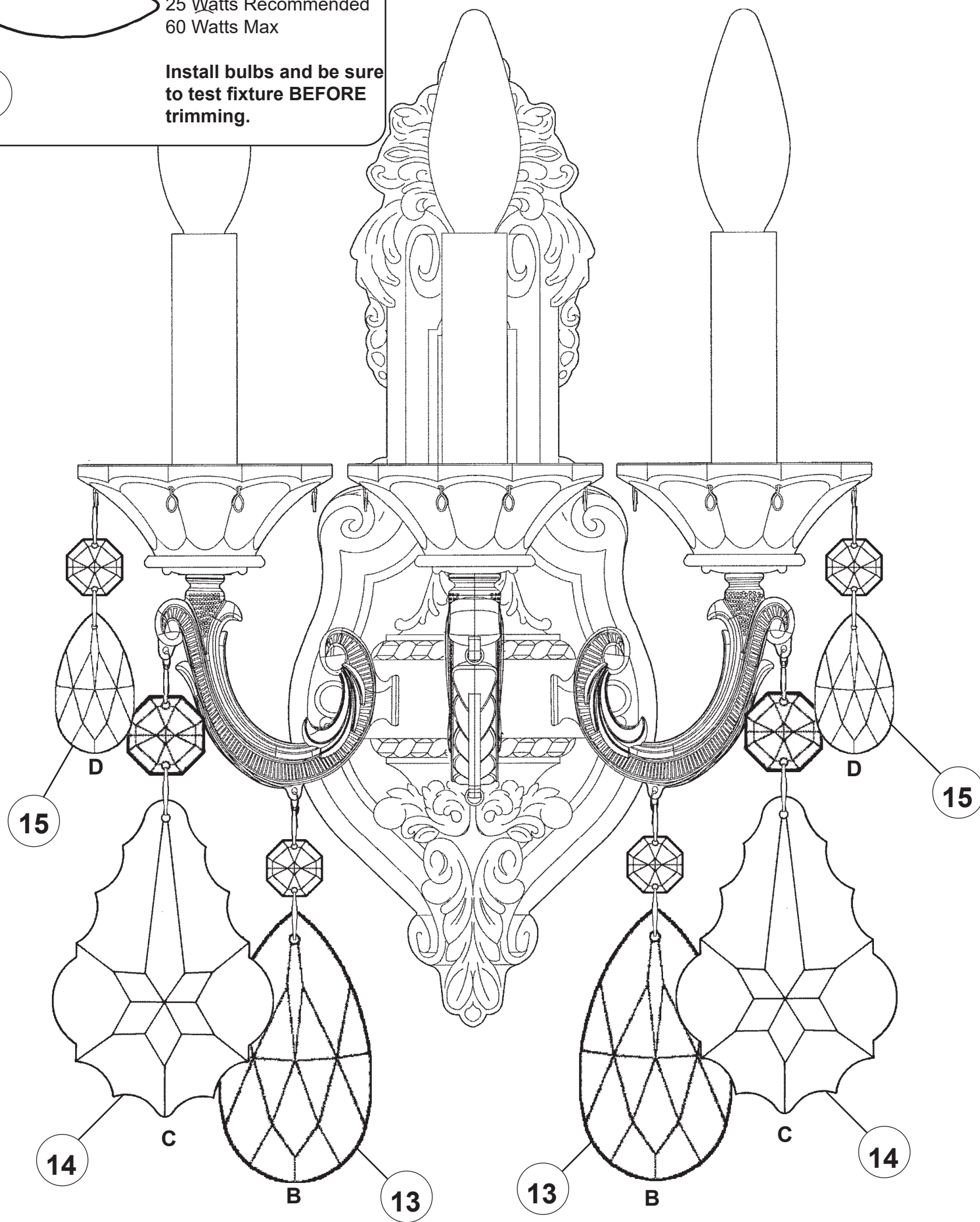


You will need 3 - B10
 25 Watts Recommended
 60 Watts Max

10

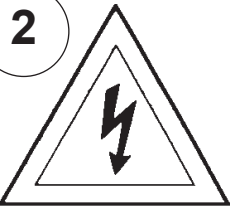
**Install bulbs and be sure
 to test fixture BEFORE
 trimming.**

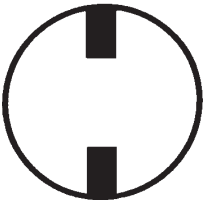
**HANG
 CRYSTAL
 WITH FLAT
 SIDE FACING
 FRONT**



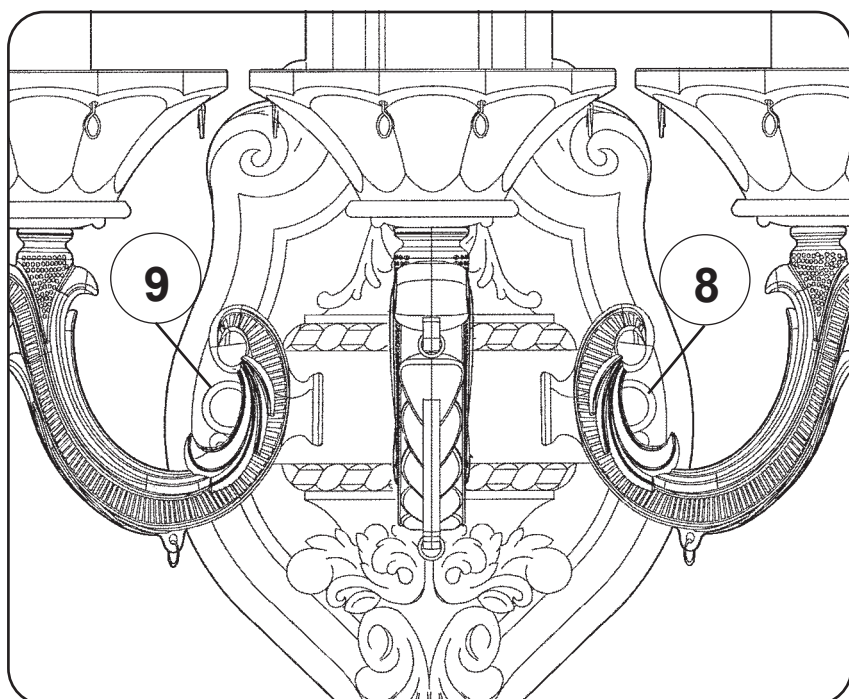
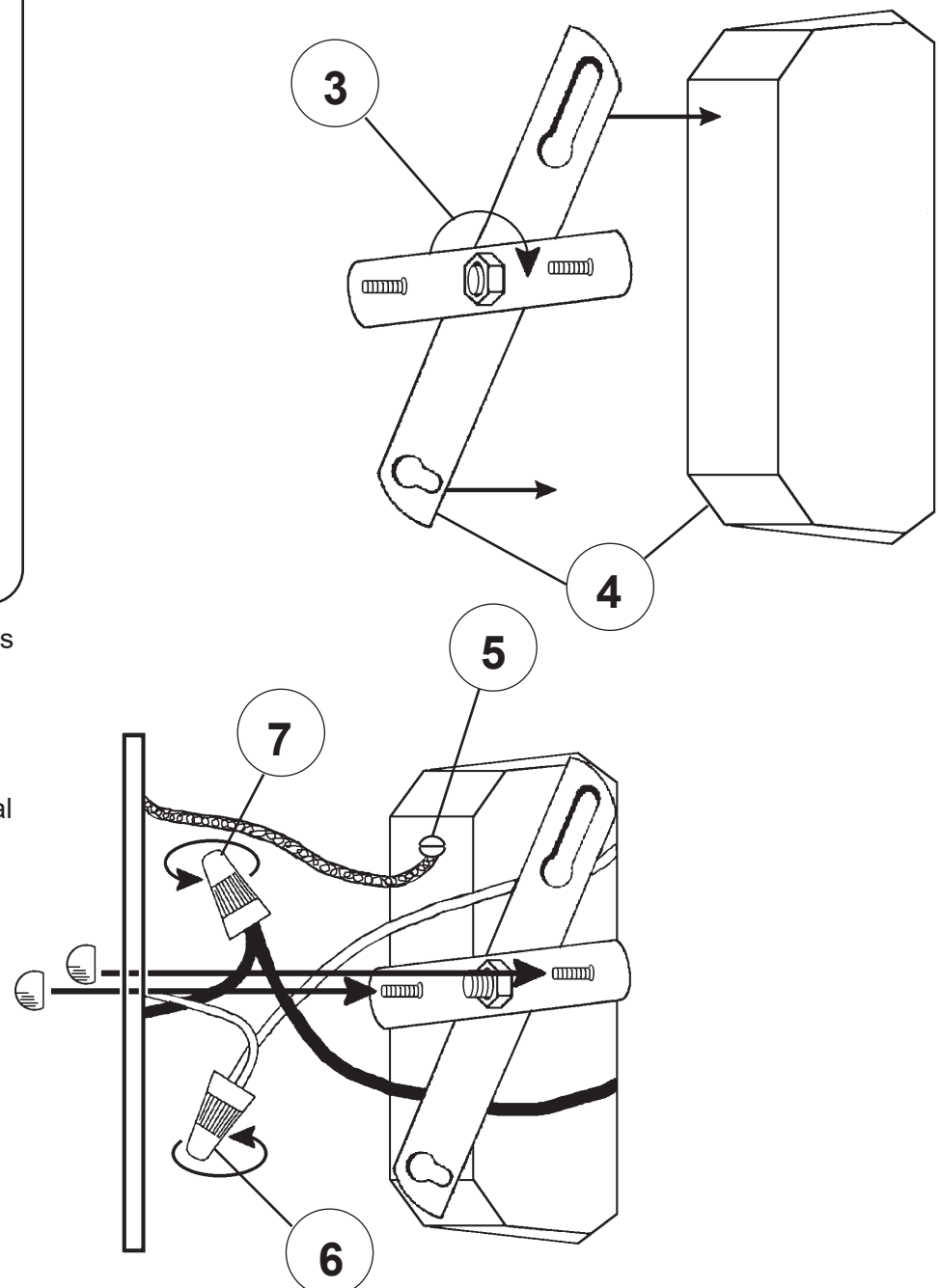
Instructions for electrician
STEPS 2 - 9

WARNING:

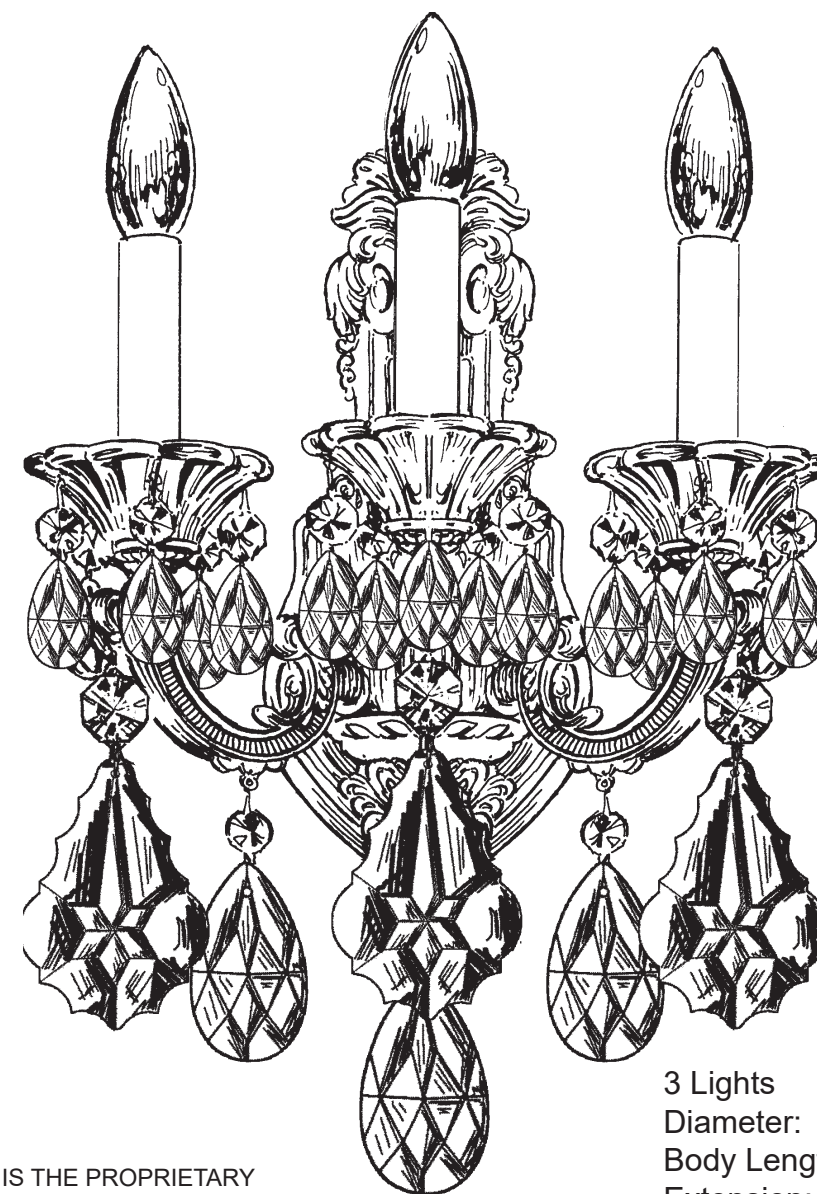
2 
Electrical Danger


Turn Power Off

All electrical components must be installed by a licensed electrician in accordance with the National Electric Code and the appropriate local electrical codes.



CHANDELIER 5071- _____ TRIM DIAGRAM
(Finish Option) (Trim Option)



3 Lights
Diameter: 11-1/2"
Body Length: 17"
Extension: 7-1/2"
Hanging Weight: 5 lbs.

THIS DESIGN IS THE PROPRIETARY TRADE DRESS/TRADEMARK OF W SCHONBEK LLC.



See diagram on back page
Follow steps in exact order
Save this trim diagram for future reference

IMPORTANT

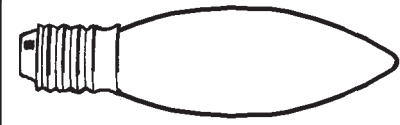
1 **Person who opens carton should record the following information for future service.**

CODE #	_____	Four-digit number on outside of carton.
PACKER #	_____	See crystal package label.
ORDER #	_____	See crystal package label.



Instructions for crystal trimming

STEPS 10 - 15



You will need 3 - B10
25 Watts Recommended
60 Watts Max

10

Install bulbs and be sure
to test fixture **BEFORE**
trimming.

**HANG
CRYSTAL
WITH FLAT
SIDE FACING
FRONT**

