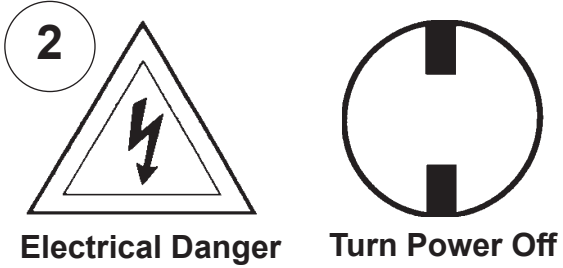
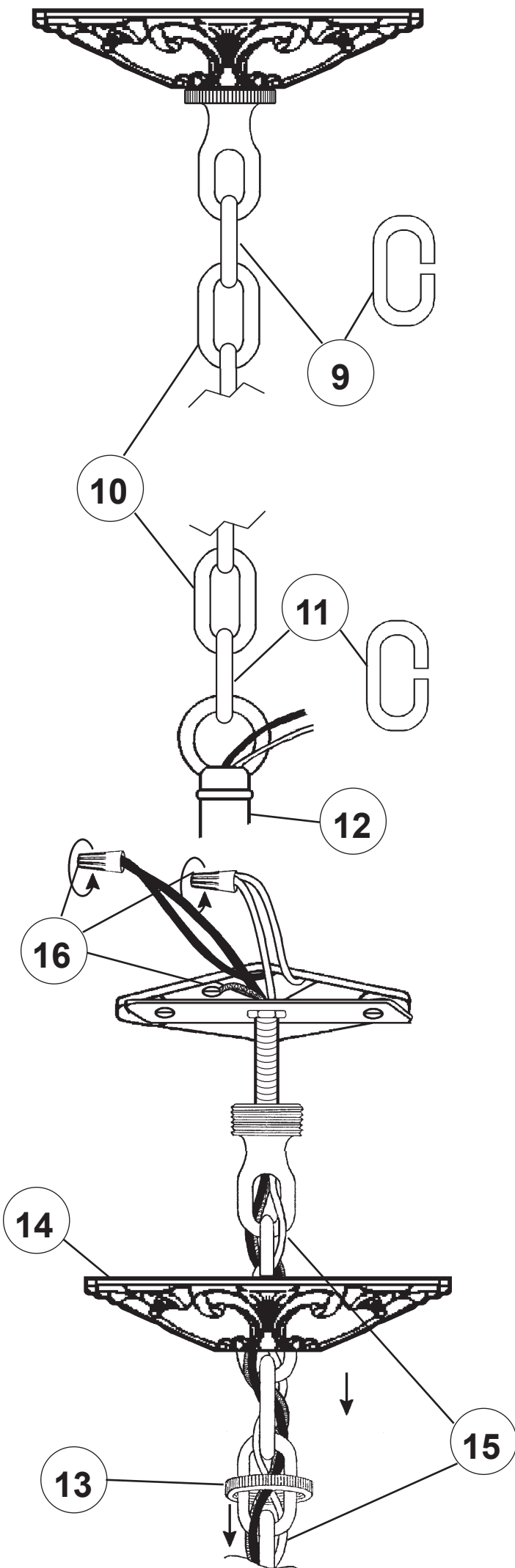
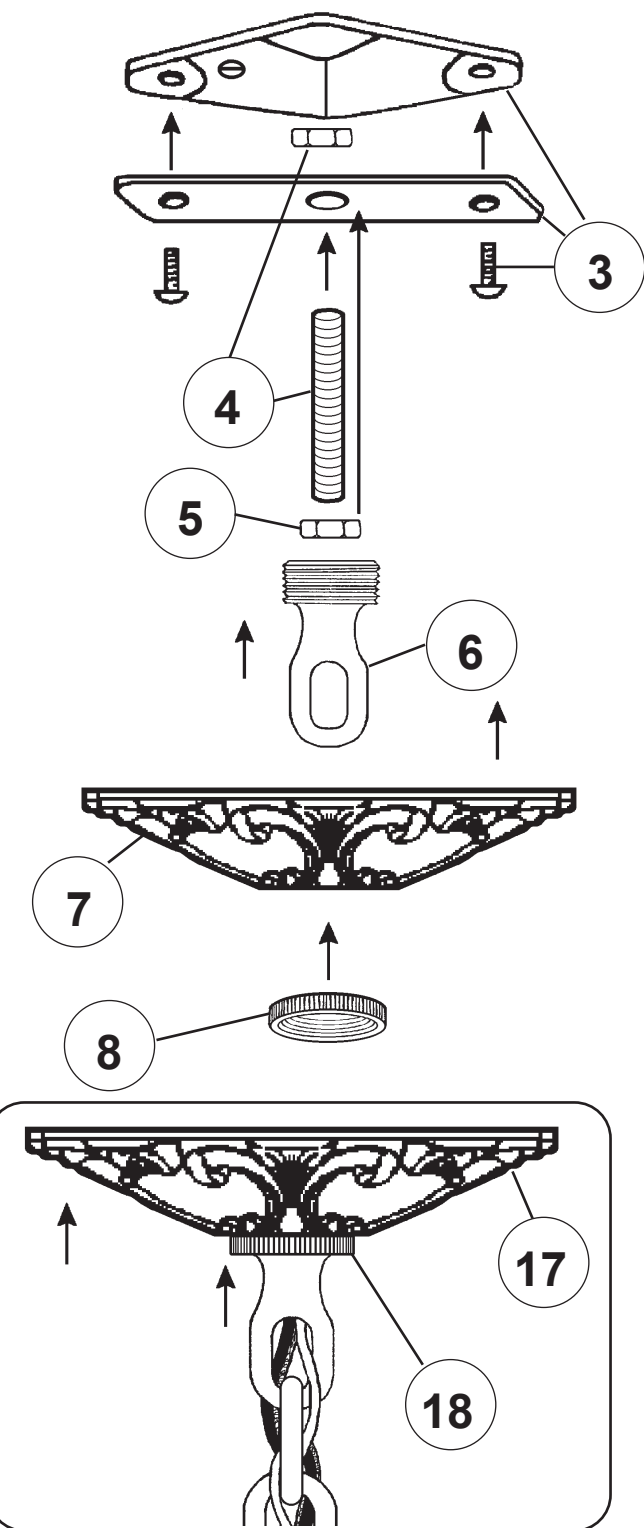


Instructions for electrician  
STEPS 2 - 18

WARNING:



All electrical components must be installed by a licensed electrician in accordance with the National Electric Code and the appropriate local electrical codes.



CHANDELIER 5072-\_\_\_\_ TRIM DIAGRAM  
(Finish Option)



6 Lights  
Diameter: 23"  
Body Length: 25"  
Hanging Weight: 20 lbs.

THIS DESIGN IS THE PROPRIETARY TRADE DRESS/TRADEMARK OF W SCHONBEK LLC.



**SCHONBEK** | 1870

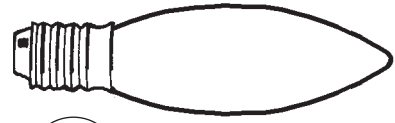
See diagram on back page  
Follow steps in exact order  
Save this trim diagram for future reference

**1** IMPORTANT  
Person who opens carton should record the following information for future service.

CODE # \_\_\_\_\_ Four-digit number on outside of carton.  
PACKER # \_\_\_\_\_ See crystal package label.  
ORDER # \_\_\_\_\_ See crystal package label.

# Instructions for crystal trimming

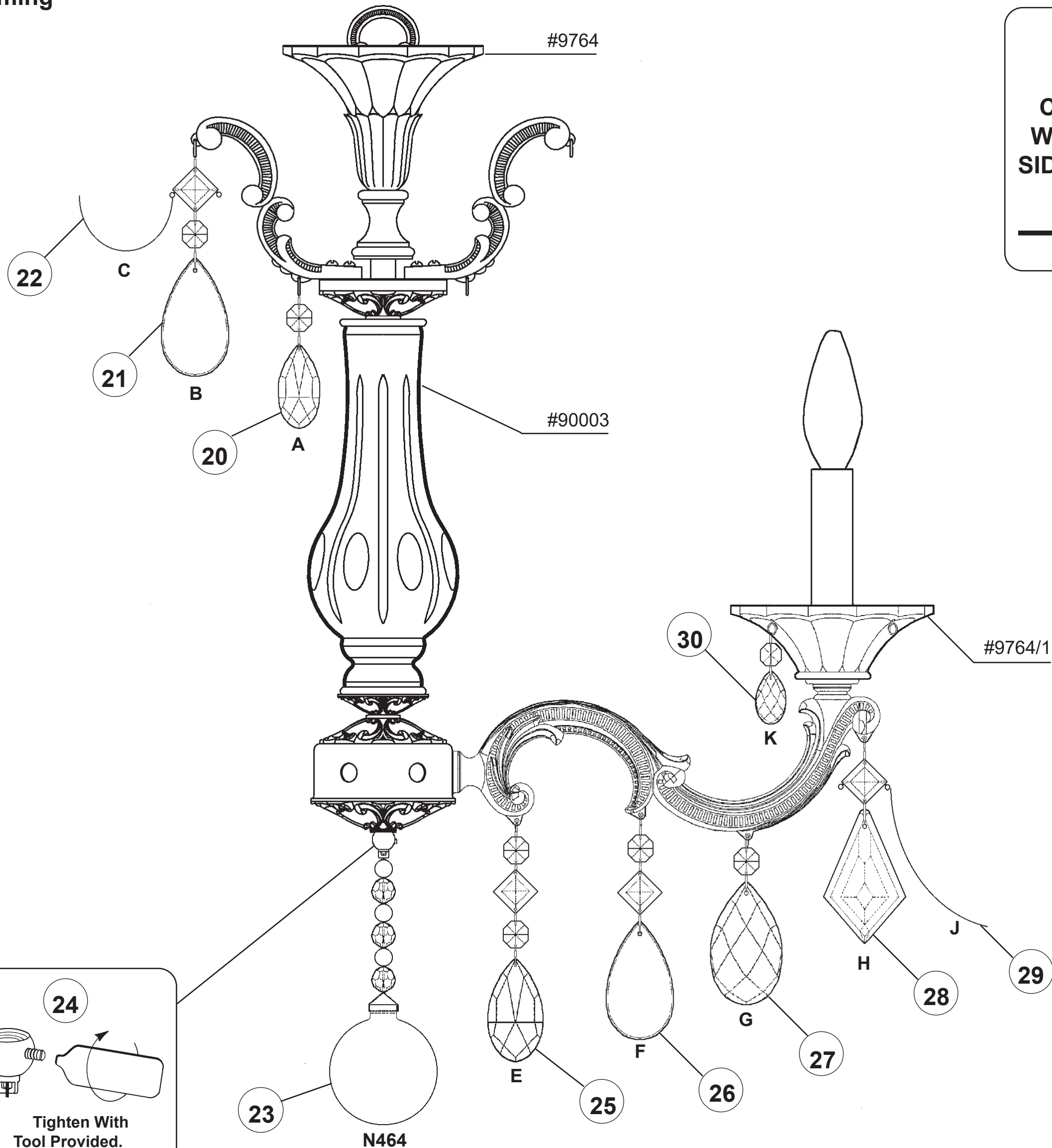
## STEPS 19 - 30



19

You will need 6 - B10  
25 Watts Recommended  
60 Watts Max

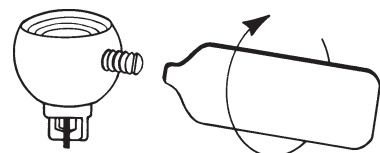
Install bulbs and be sure  
to test fixture BEFORE  
trimming.



HANG  
CRYSTAL  
WITH FLAT  
SIDE FACING  
FRONT



24



Tighten With  
Tool Provided.

23

N464

E

25

F

26

G

27

H

28

J

29

30

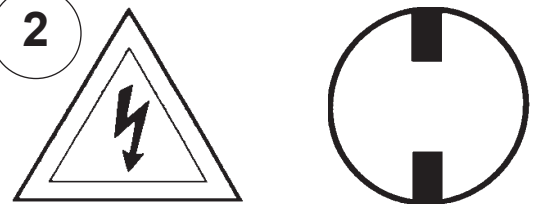
K

#9764/1



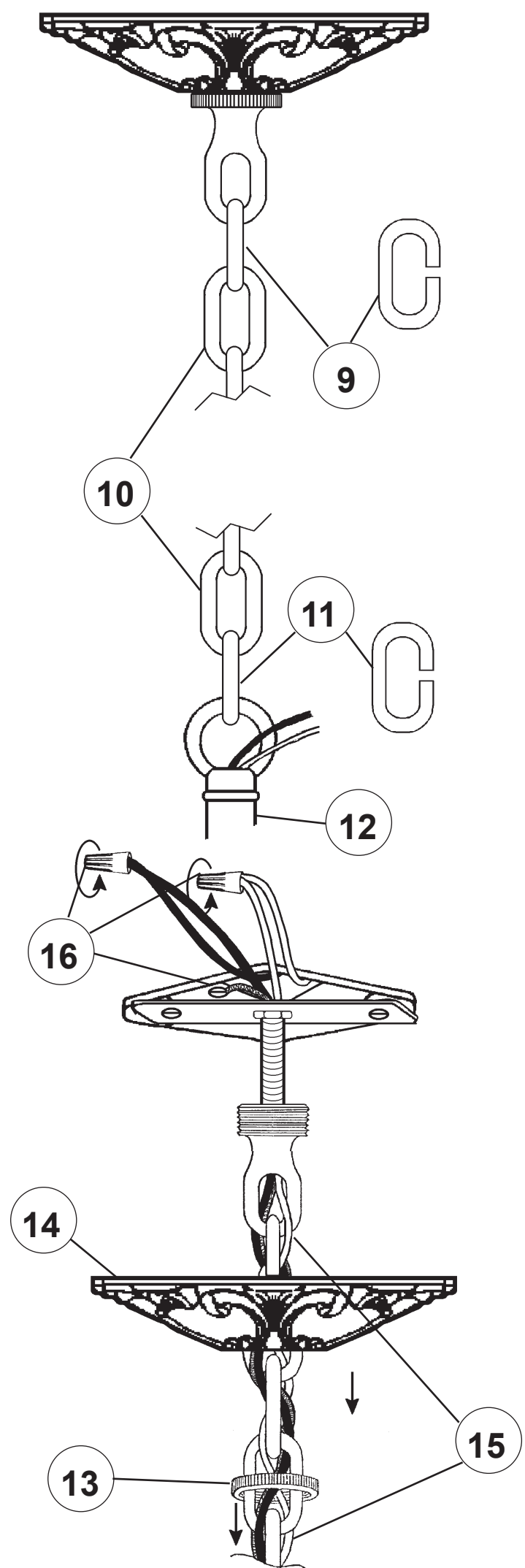
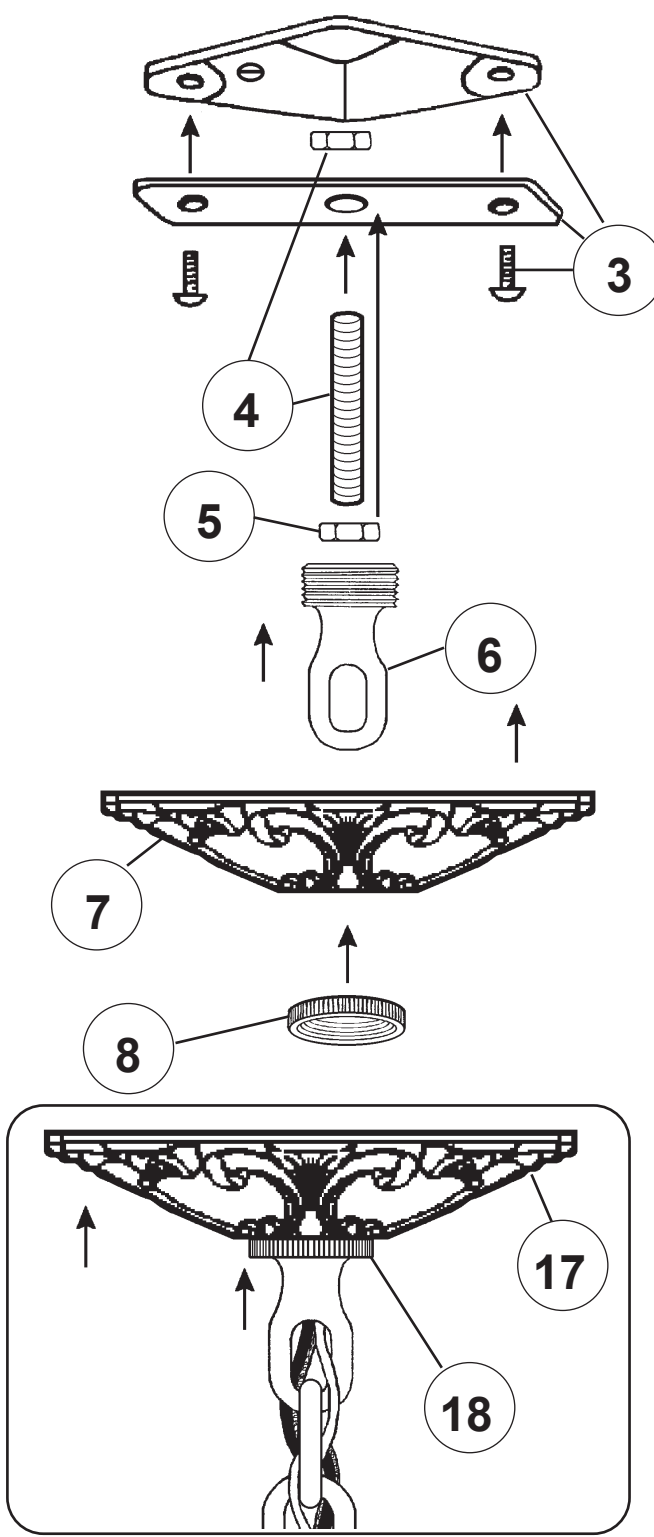
Instructions for electrician  
STEPS 2 - 18

**WARNING:**

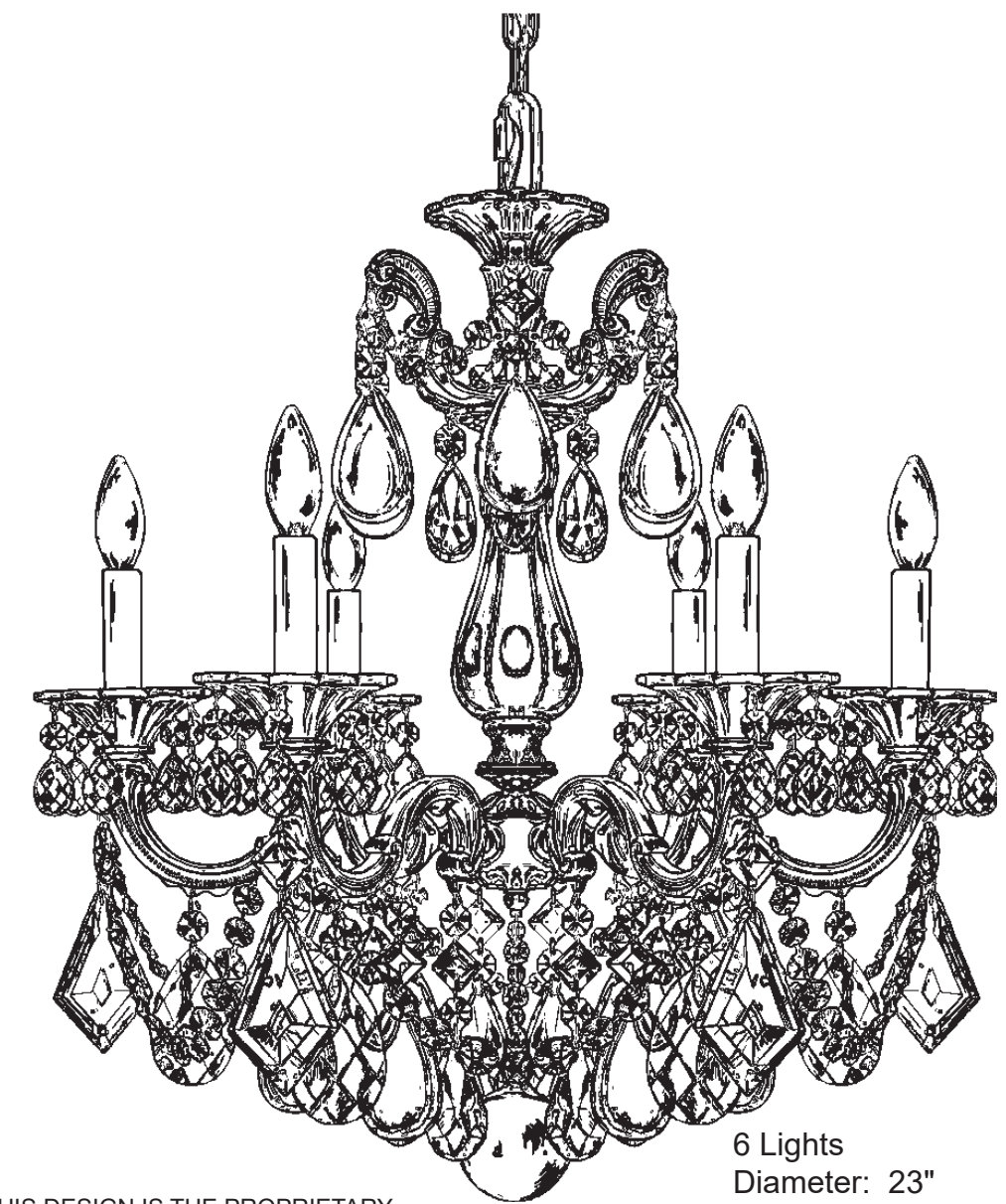
2 

Electrical Danger Turn Power Off

All electrical components must be installed by a licensed electrician in accordance with the National Electric Code and the appropriate local electrical codes.



CHANDELIER 5072-\_\_\_\_ TRIM DIAGRAM  
(Finish Option)



6 Lights  
Diameter: 23"  
Body Length: 25"  
Hanging Weight: 20 lbs.

THIS DESIGN IS THE PROPRIETARY TRADE DRESS/TRADEMARK OF W SCHONBEK LLC.



See diagram on back page  
Follow steps in exact order  
Save this trim diagram for future reference

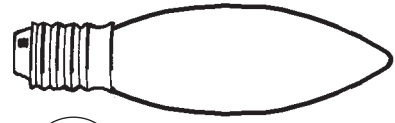
**1 IMPORTANT**  
Person who opens carton should record the following information for future service.

CODE # \_\_\_\_\_ Four-digit number on outside of carton.  
PACKER # \_\_\_\_\_ See crystal package label.  
ORDER # \_\_\_\_\_ See crystal package label.



# Instructions for crystal trimming

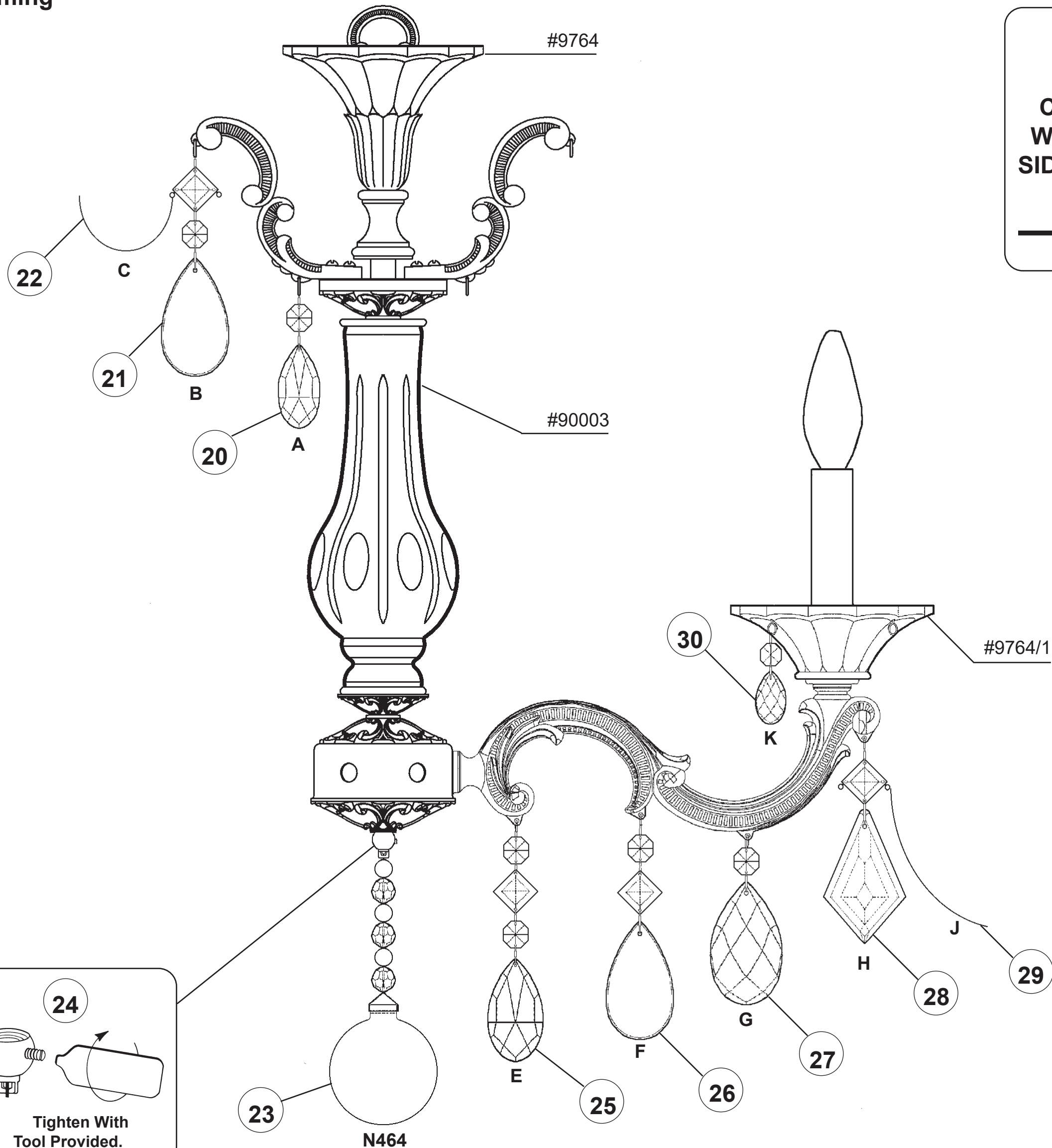
## STEPS 19 - 30



**19**

You will need 6 - B10  
25 Watts Recommended  
60 Watts Max

Install bulbs and be sure  
to test fixture **BEFORE**  
trimming.



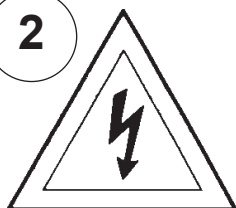
**HANG  
CRYSTAL  
WITH FLAT  
SIDE FACING  
FRONT**



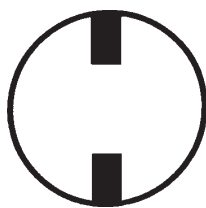
**Instructions for electrician**  
**STEPS 2 - 18**

**WARNING:**

2

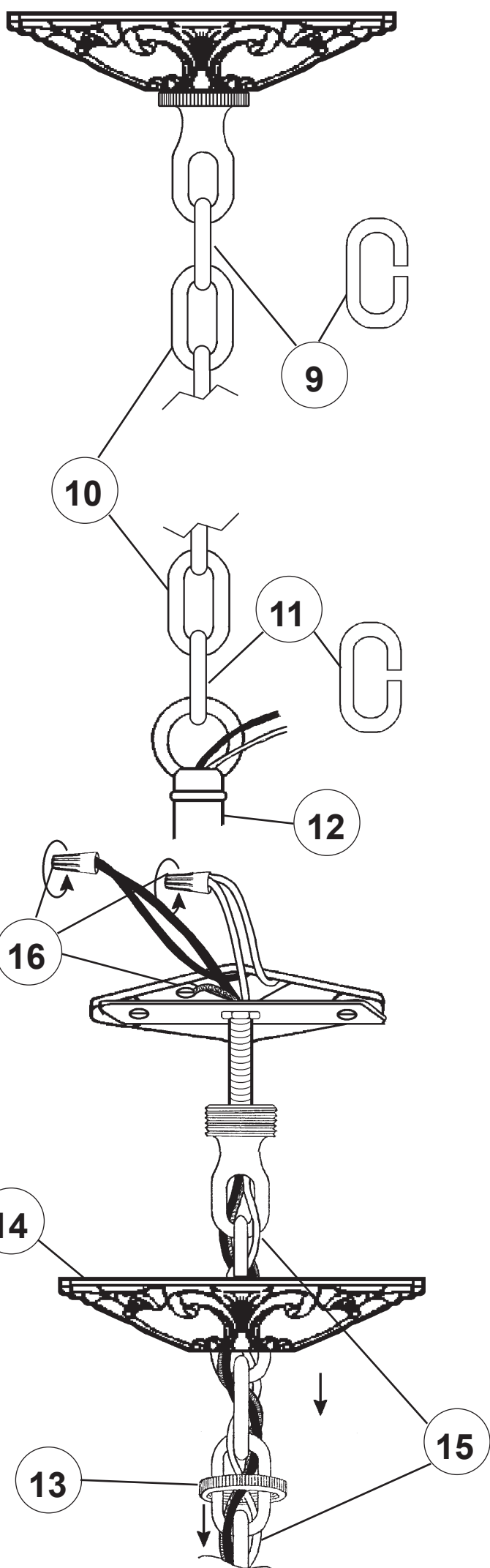
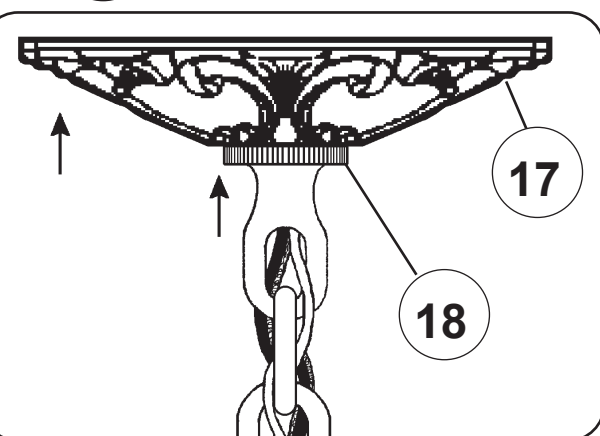
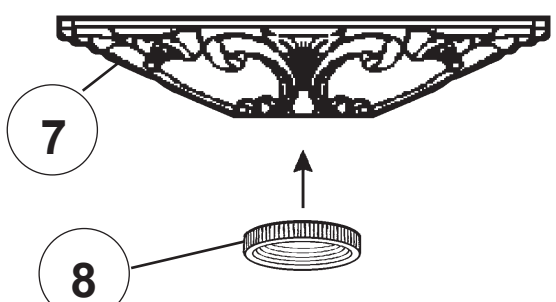
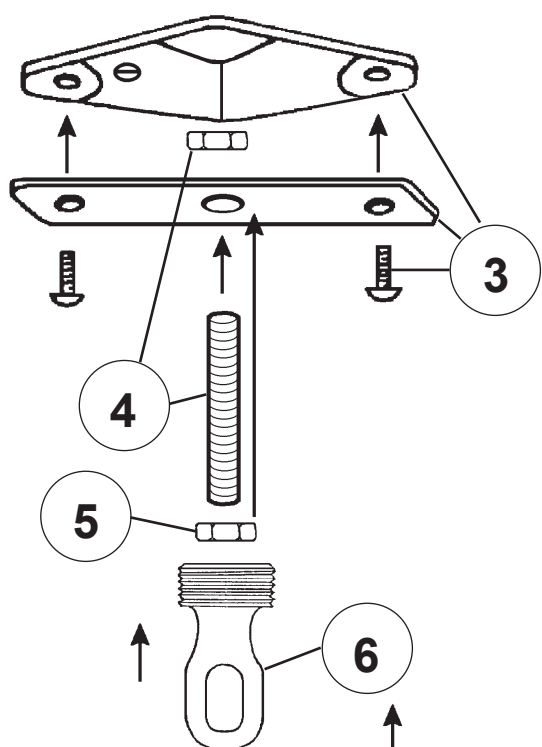


**Electrical Danger**



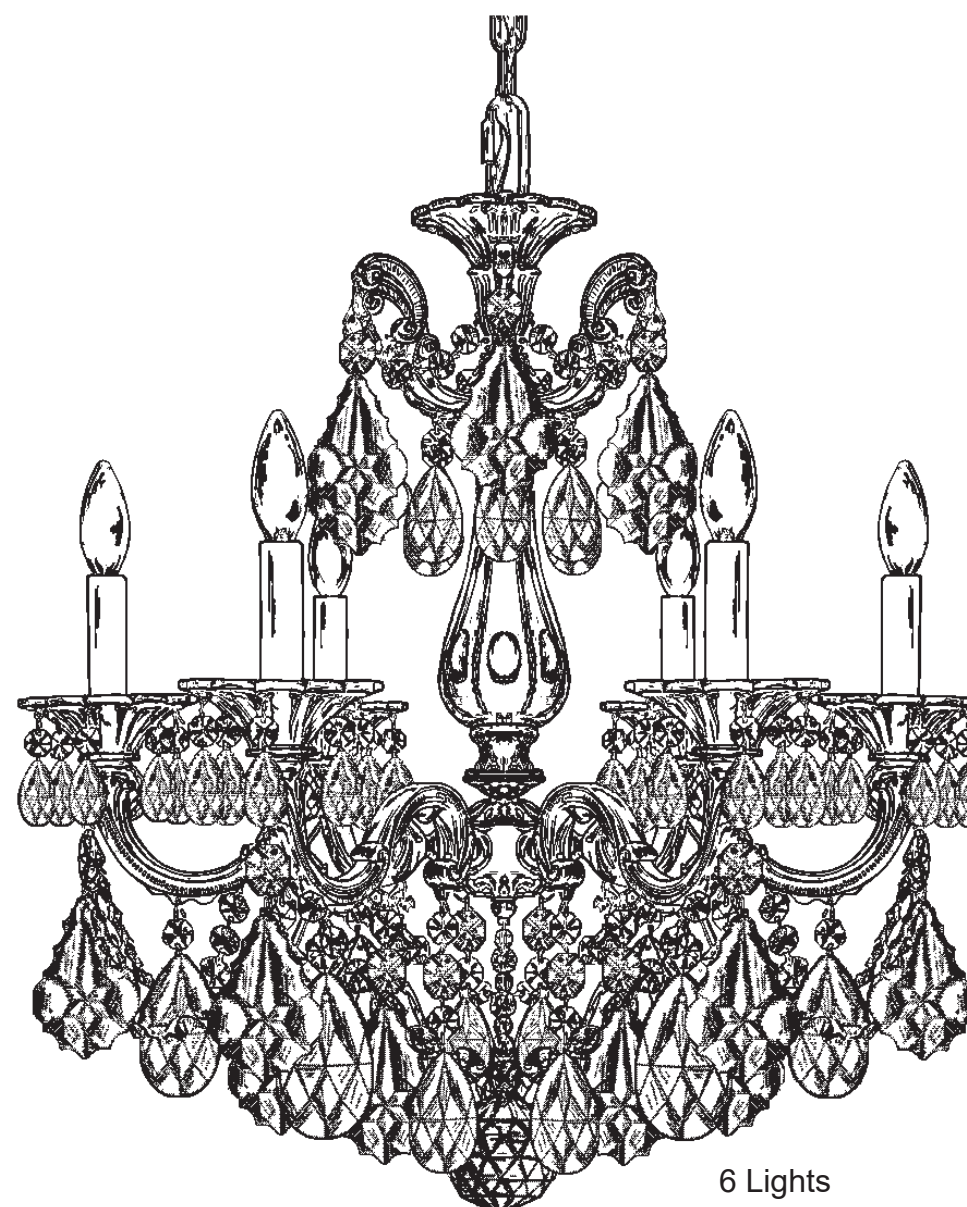
**Turn Power Off**

All electrical components must be installed by a licensed electrician in accordance with the National Electric Code and the appropriate local electrical codes.



**CHANDELIER 5072- \_\_\_\_\_ TRIM DIAGRAM**

(Finish Option) (Trim Option)



THIS DESIGN IS THE PROPRIETARY TRADE DRESS/TRADEMARK OF W SCHONBEK LLC.

6 Lights  
Diameter: 23"  
Body Length: 25"  
Hanging Weight: 18 lbs.



**SCHONBEK** 1870

**See diagram on back page**  
**Follow steps in exact order**  
**Save this trim diagram for future reference**

1

**IMPORTANT**

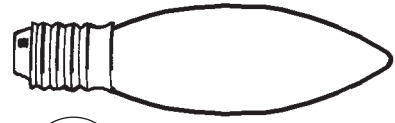
*Person who opens carton should record the following information for future service.*

CODE # \_\_\_\_\_ Four-digit number on outside of carton.  
PACKER # \_\_\_\_\_ See crystal package label.  
ORDER # \_\_\_\_\_ See crystal package label.



# Instructions for crystal trimming

## STEPS 19 - 30



**19**

You will need 6 - B10  
25 Watts Recommended  
60 Watts Max

Install bulbs and be sure  
to test fixture **BEFORE**  
trimming.

