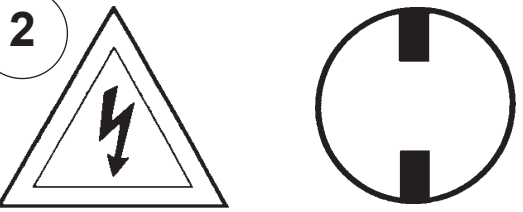


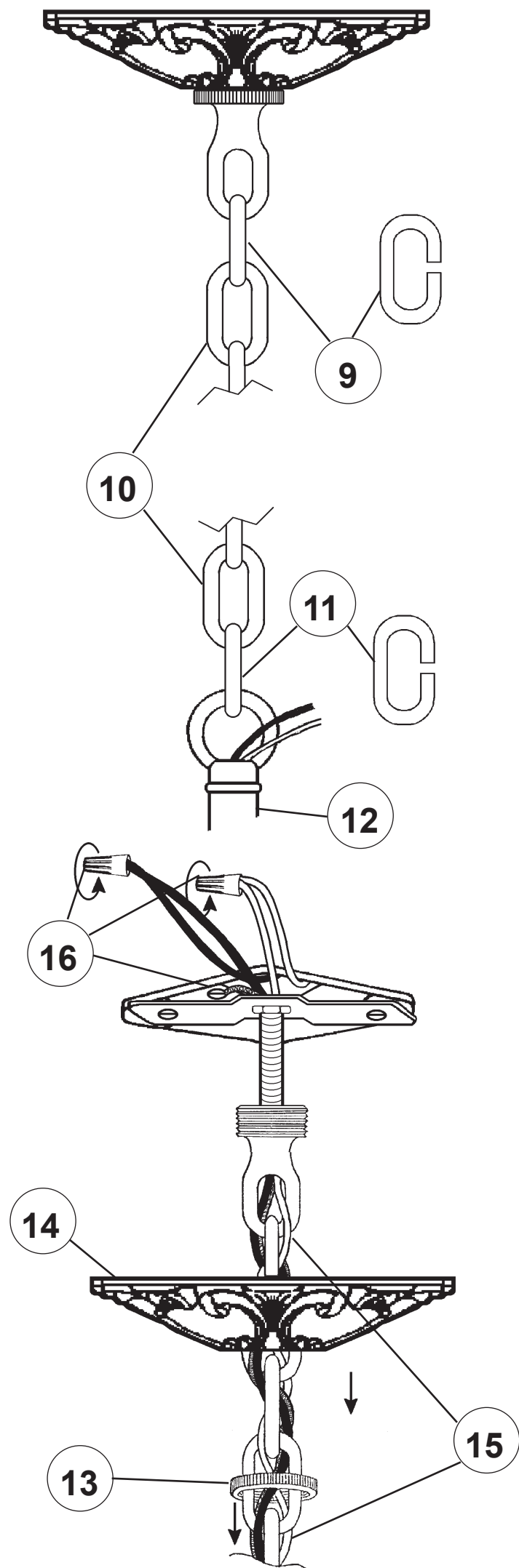
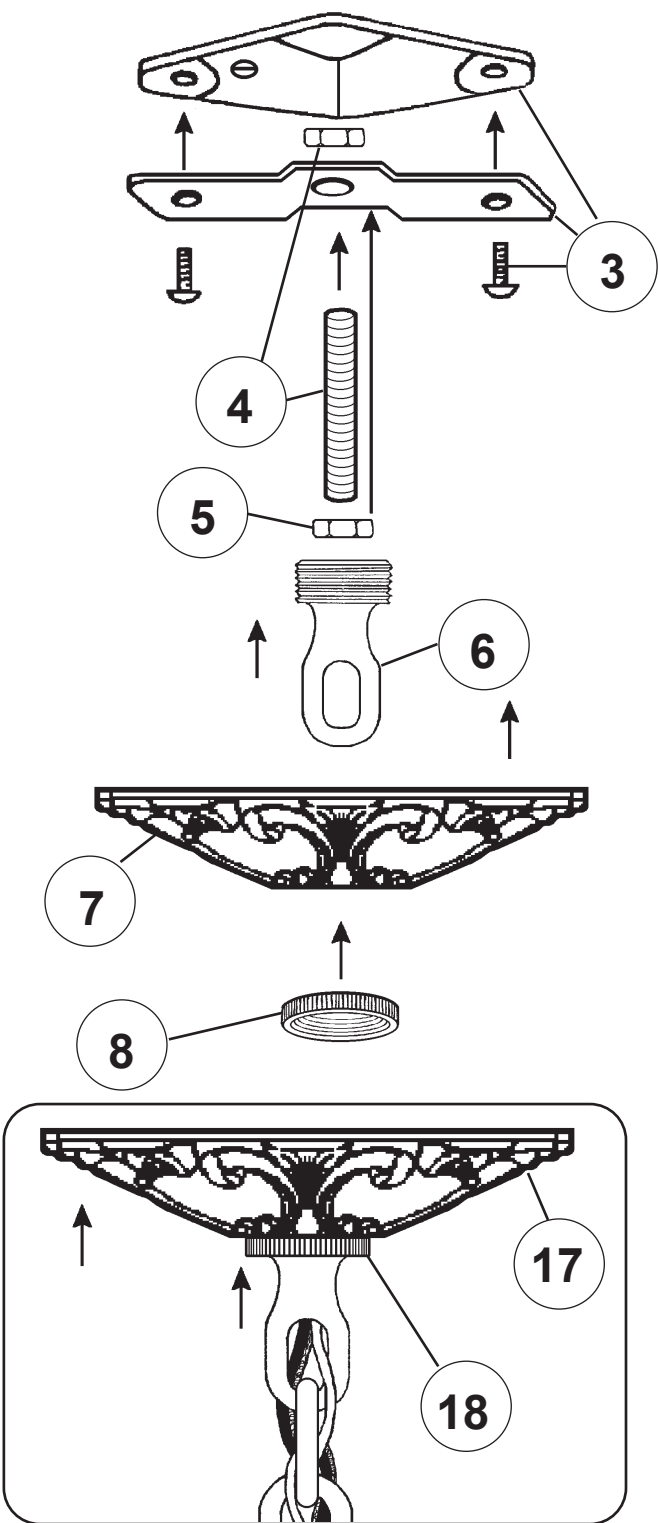
Instructions for electrician
STEPS 2 - 18

WARNING:

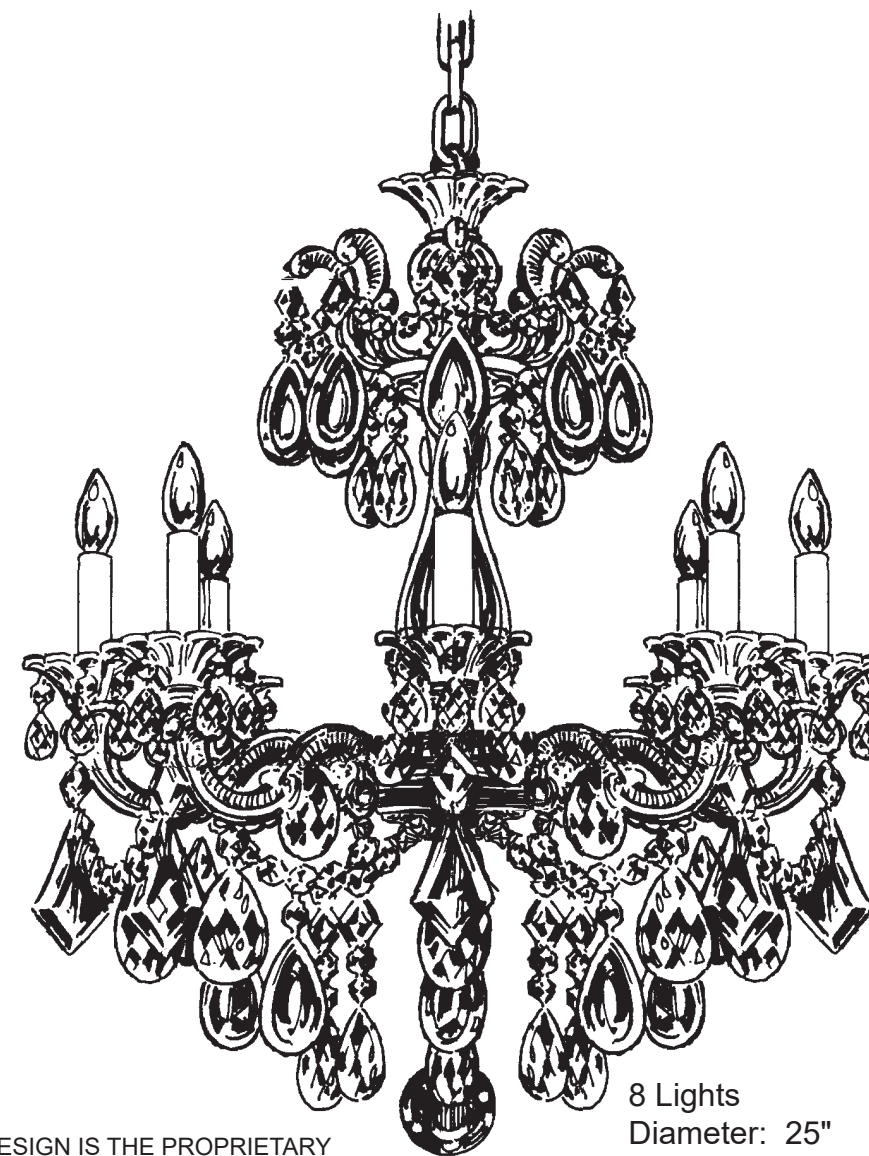
2 

Electrical Danger Turn Power Off

All electrical components must be installed by a licensed electrician in accordance with the National Electric Code and the appropriate local electrical codes.



CHANDELIER 5073- _____ TRIM DIAGRAM
(Finish Option)



THIS DESIGN IS THE PROPRIETARY TRADE DRESS/TRADEMARK OF W SCHONBEK LLC.

8 Lights
Diameter: 25"
Body Length: 28-1/2"
Hanging Weight: 27 lbs.



See diagram on back page
Follow steps in exact order
Save this trim diagram for future reference

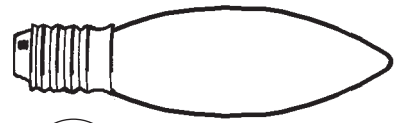
1 **IMPORTANT**
Person who opens carton should record the following information for future service.

CODE # _____	Four-digit number on outside of carton.
PACKER # _____	See crystal package label.
ORDER # _____	See crystal package label.



Instructions for crystal trimming

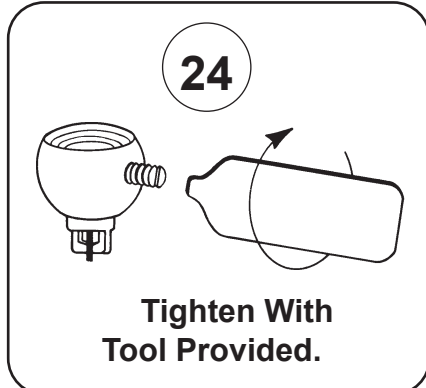
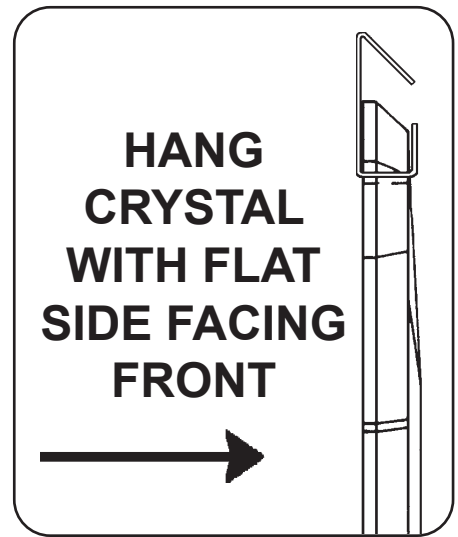
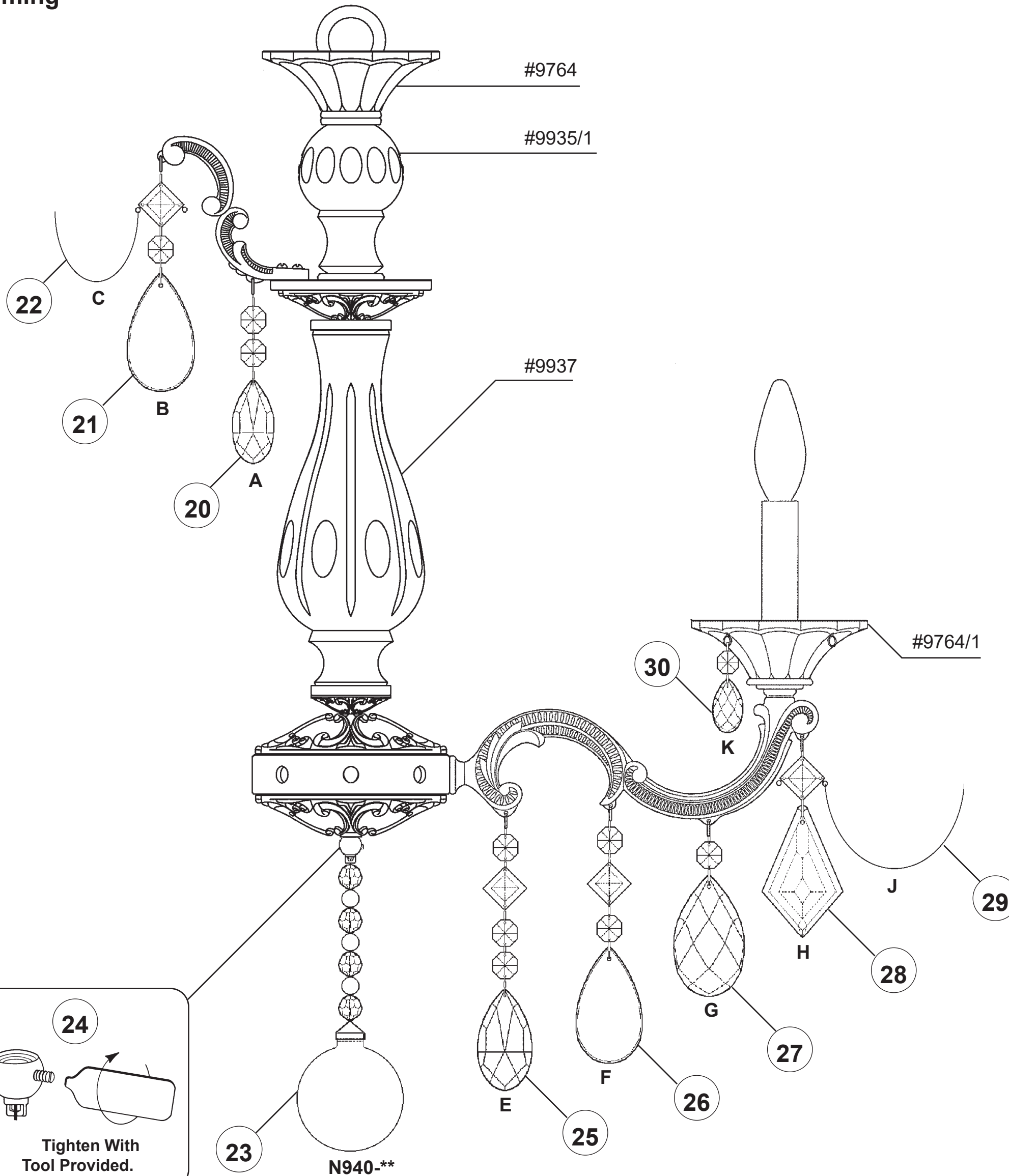
STEPS 19 - 30



19

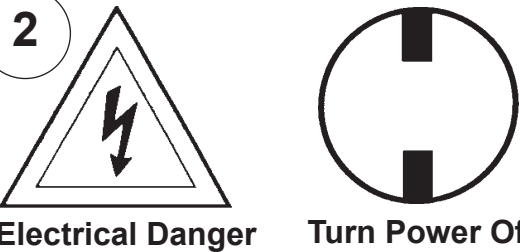
You will need 8 - B10
25 Watts Recommended
60 Watts Max

Install bulbs and be sure
to test fixture BEFORE
trimming.

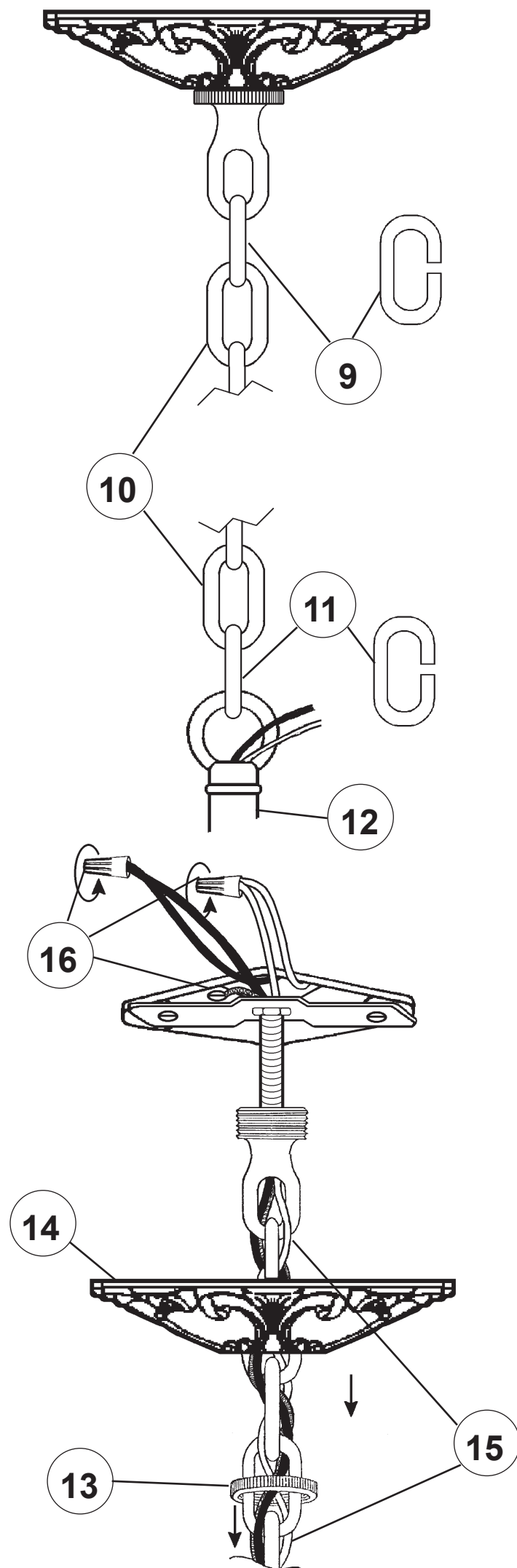
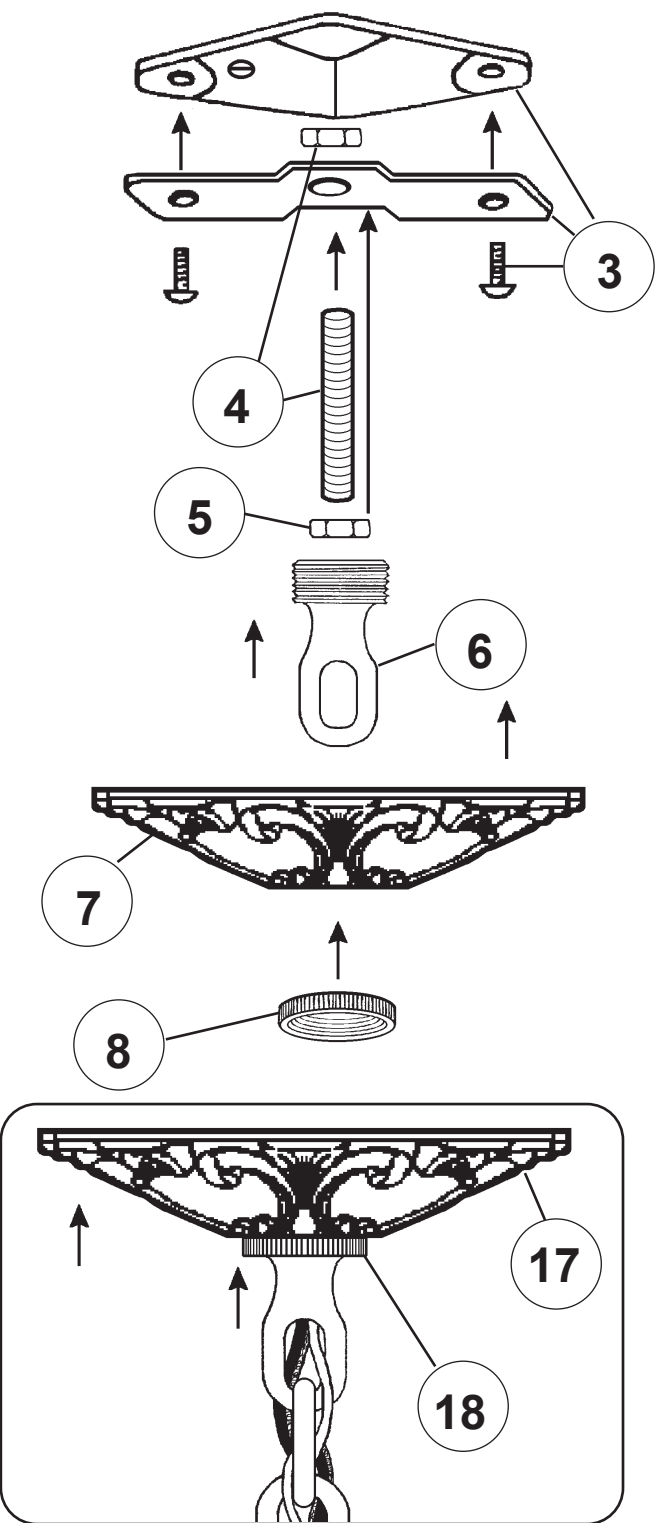


Instructions for electrician
STEPS 2 - 18

WARNING:



All electrical components must be installed by a licensed electrician in accordance with the National Electric Code and the appropriate local electrical codes.



CHANDELIER 5073-____R TRIM DIAGRAM
(Finish Option)



THIS DESIGN IS THE PROPRIETARY TRADE DRESS/TRADEMARK OF W SCHONBEK LLC.

8 Lights
Diameter: 25"
Body Length: 28-1/2"
Hanging Weight: 27 lbs.

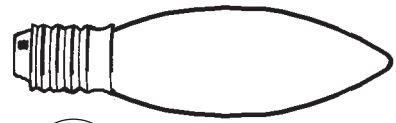


See diagram on back page
Follow steps in exact order
Save this trim diagram for future reference

IMPORTANT
1 Person who opens carton should record the following information for future service.
CODE # _____ Four-digit number on outside of carton.
PACKER # _____ See crystal package label.
ORDER # _____ See crystal package label.

Instructions for crystal trimming

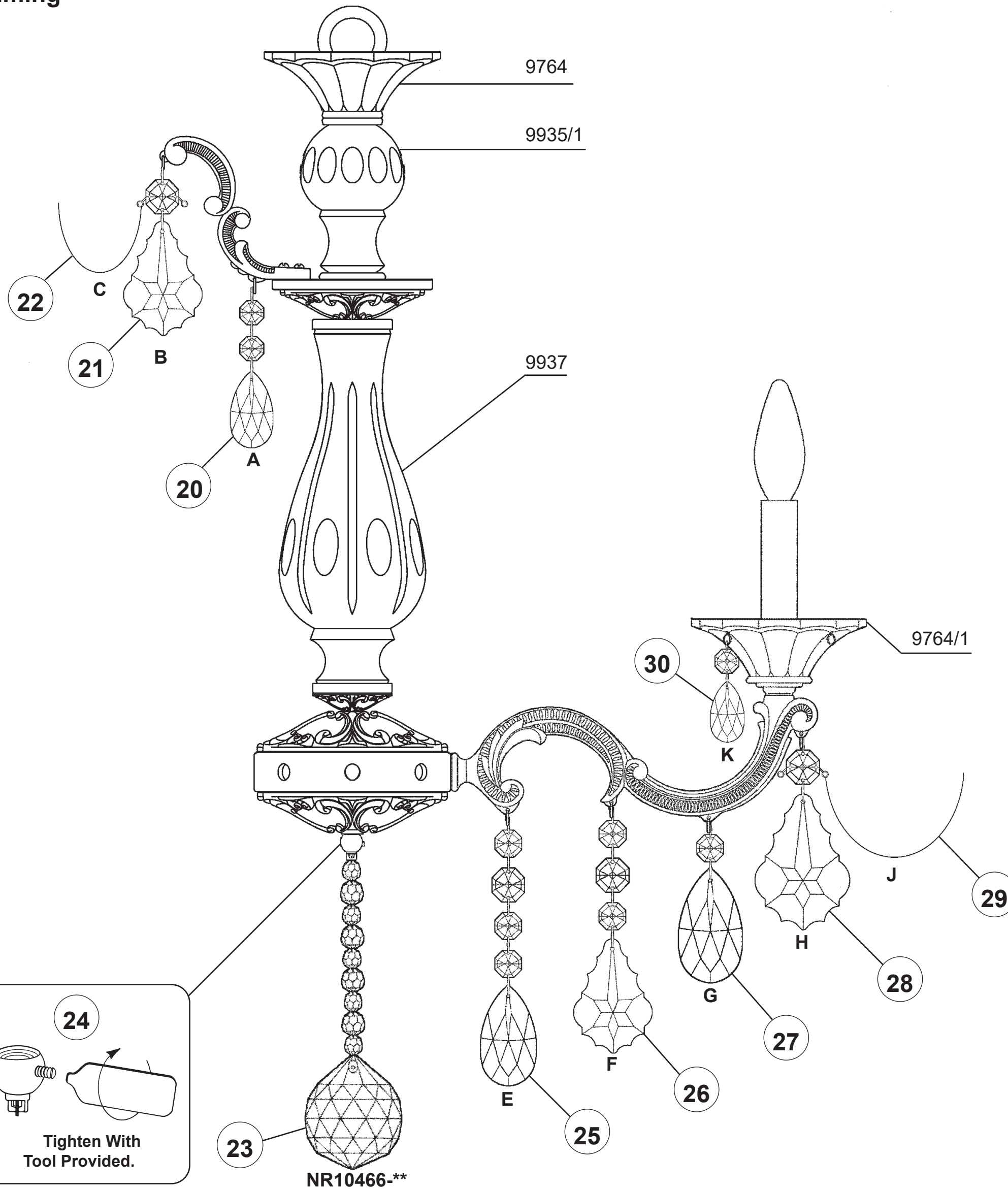
STEPS 19 - 30



19

You will need 8 - B10
25 Watts Recommended
60 Watts Max

Install bulbs and be sure
to test fixture **BEFORE**
trimming.



**HANG
CRYSTAL
WITH FLAT
SIDE FACING
FRONT**

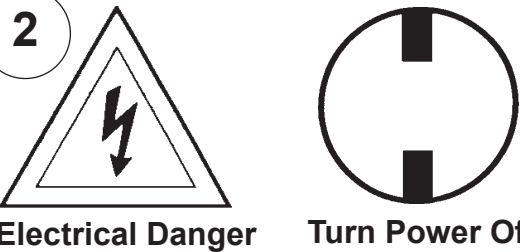
24

**Tighten With
Tool Provided.**

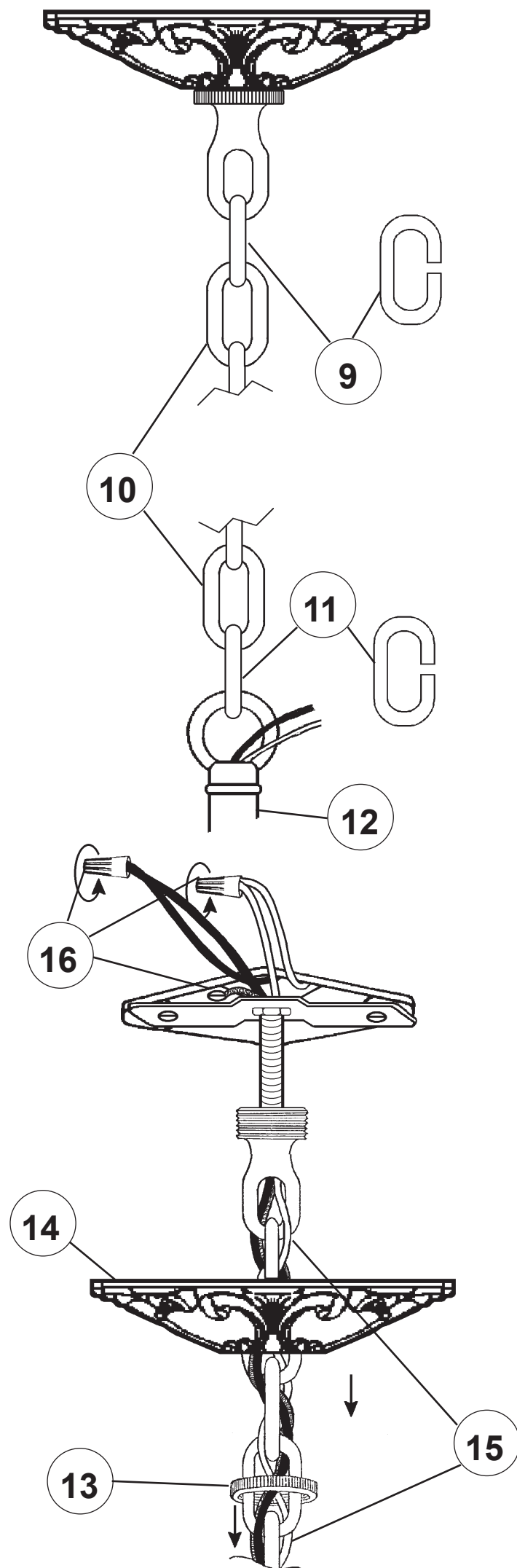
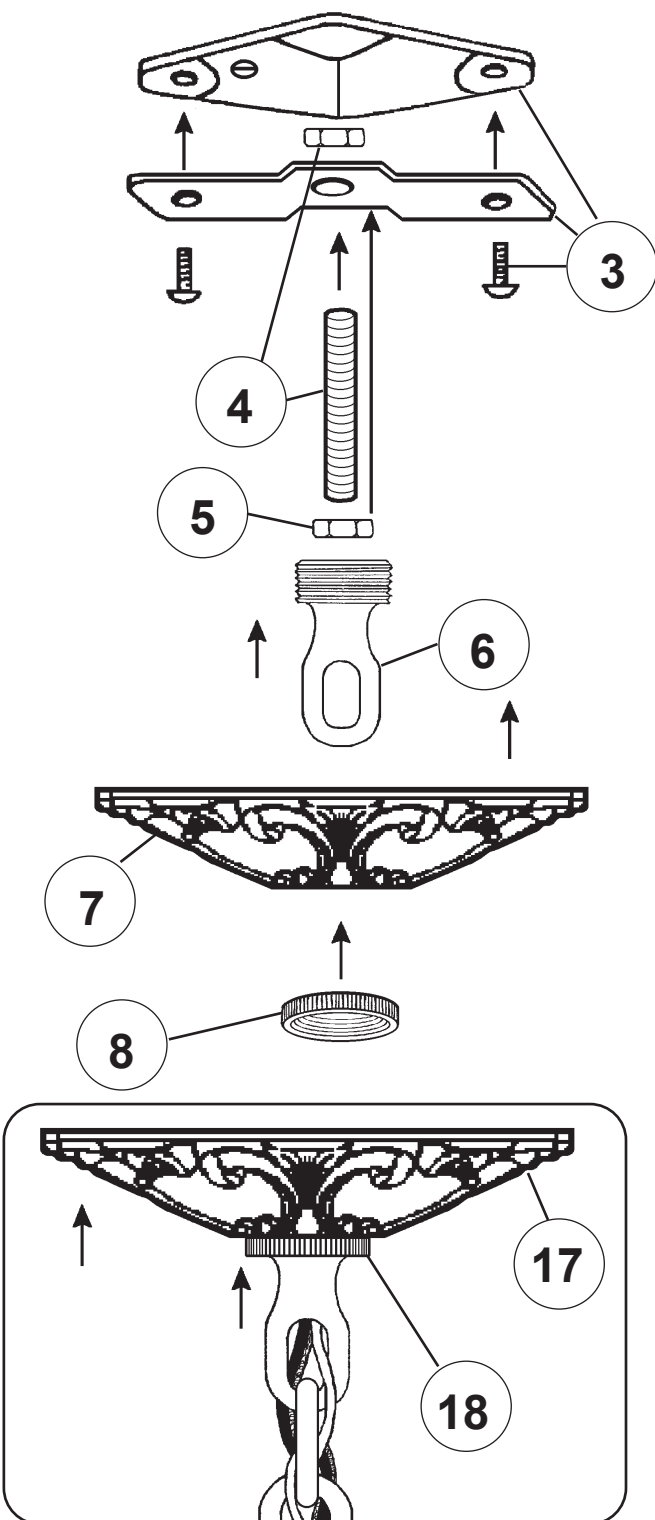


Instructions for electrician
STEPS 2 - 18

WARNING:



All electrical components must be installed by a licensed electrician in accordance with the National Electric Code and the appropriate local electrical codes.



CHANDELIER 5073- _____ TRIM DIAGRAM
(Finish Option) (Trim Option)



THIS DESIGN IS THE PROPRIETARY TRADE DRESS/TRADEMARK OF W SCHONBEK LLC.

8 Lights
Diameter: 25"
Body Length: 28-1/2"
Hanging Weight: 27 lbs.



SCHONBEK 1870

See diagram on back page
Follow steps in exact order
Save this trim diagram for future reference

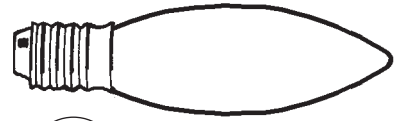
1 IMPORTANT
Person who opens carton should record the following information for future service.

CODE #	_____	Four-digit number on outside of carton.
PACKER #	_____	See crystal package label.
ORDER #	_____	See crystal package label.



Instructions for crystal trimming

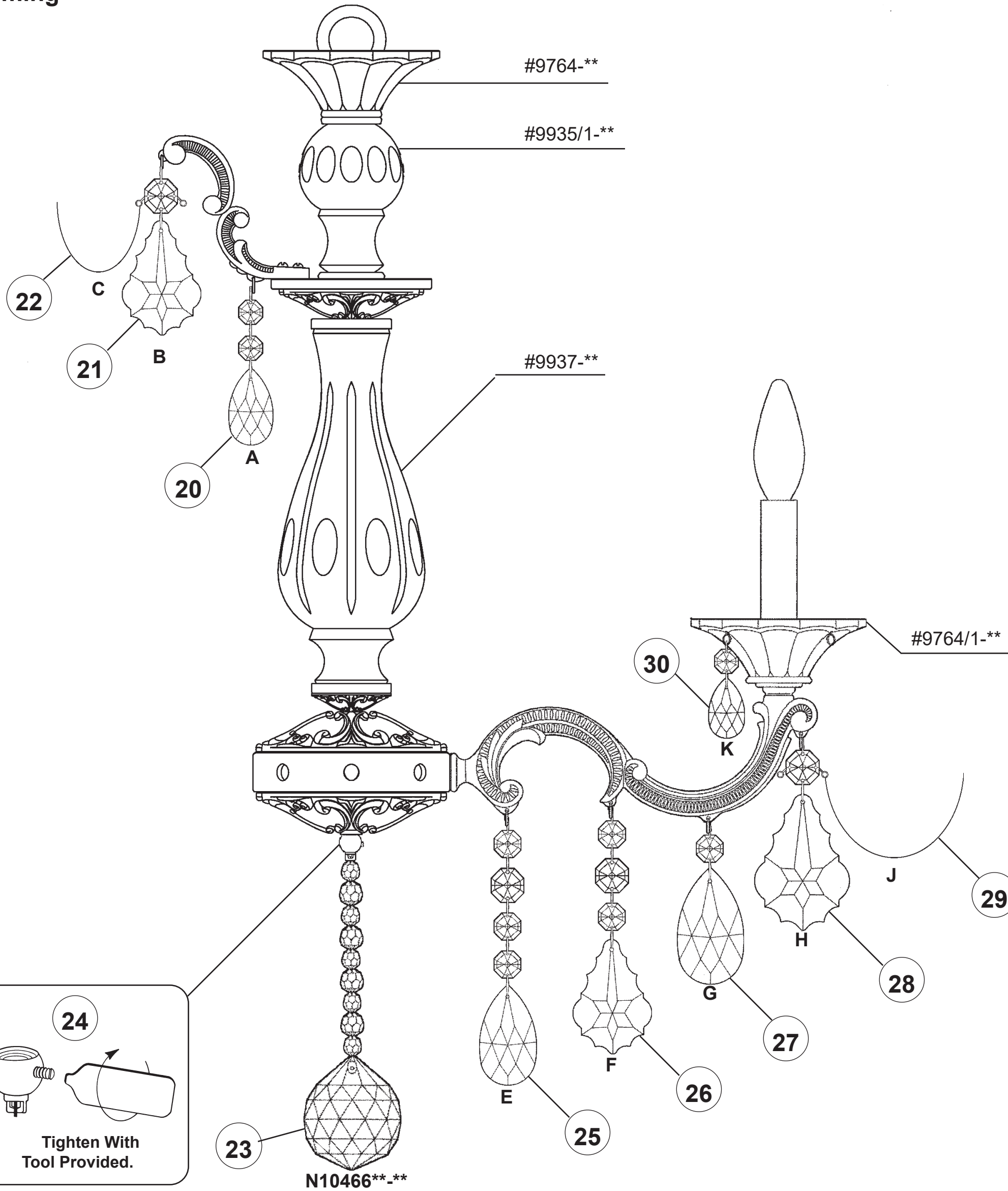
STEPS 19 - 30



19

You will need 8 - B10
25 Watts Recommended
60 Watts Max

Install bulbs and be sure
to test fixture BEFORE
trimming.



HANG
CRYSTAL
WITH FLAT
SIDE FACING
FRONT

24

Tighten With
Tool Provided.

