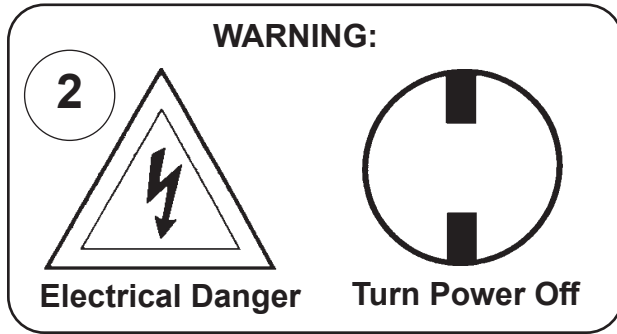


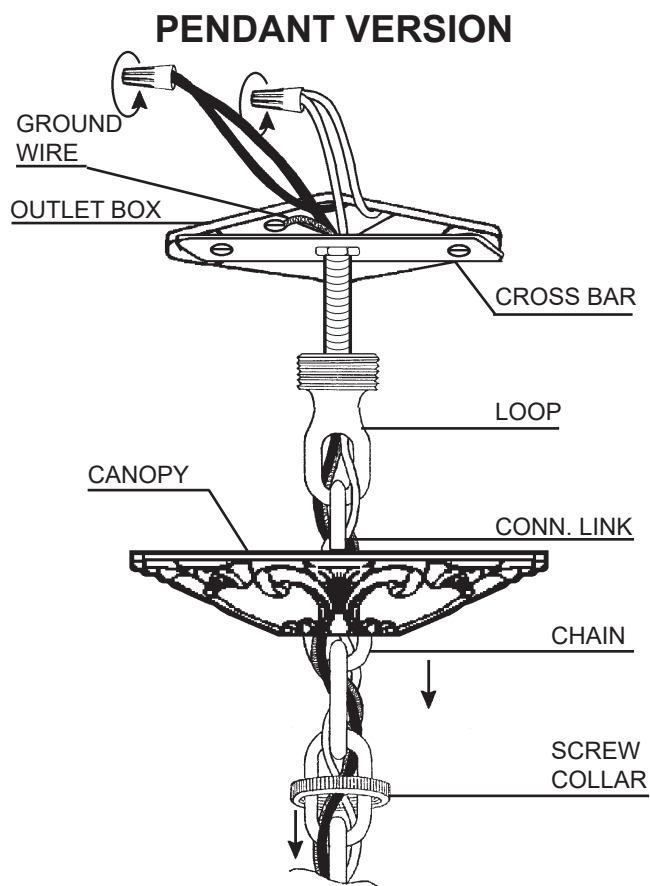
# CHANDELIER 5345-\_\_\_\_ TRIM DIAGRAM

(Finish Option)

## Instructions for electrician STEPS 2 - 6



All electrical components must be installed by a licensed electrician in accordance with the National Electric Code and the appropriate local electrical codes.



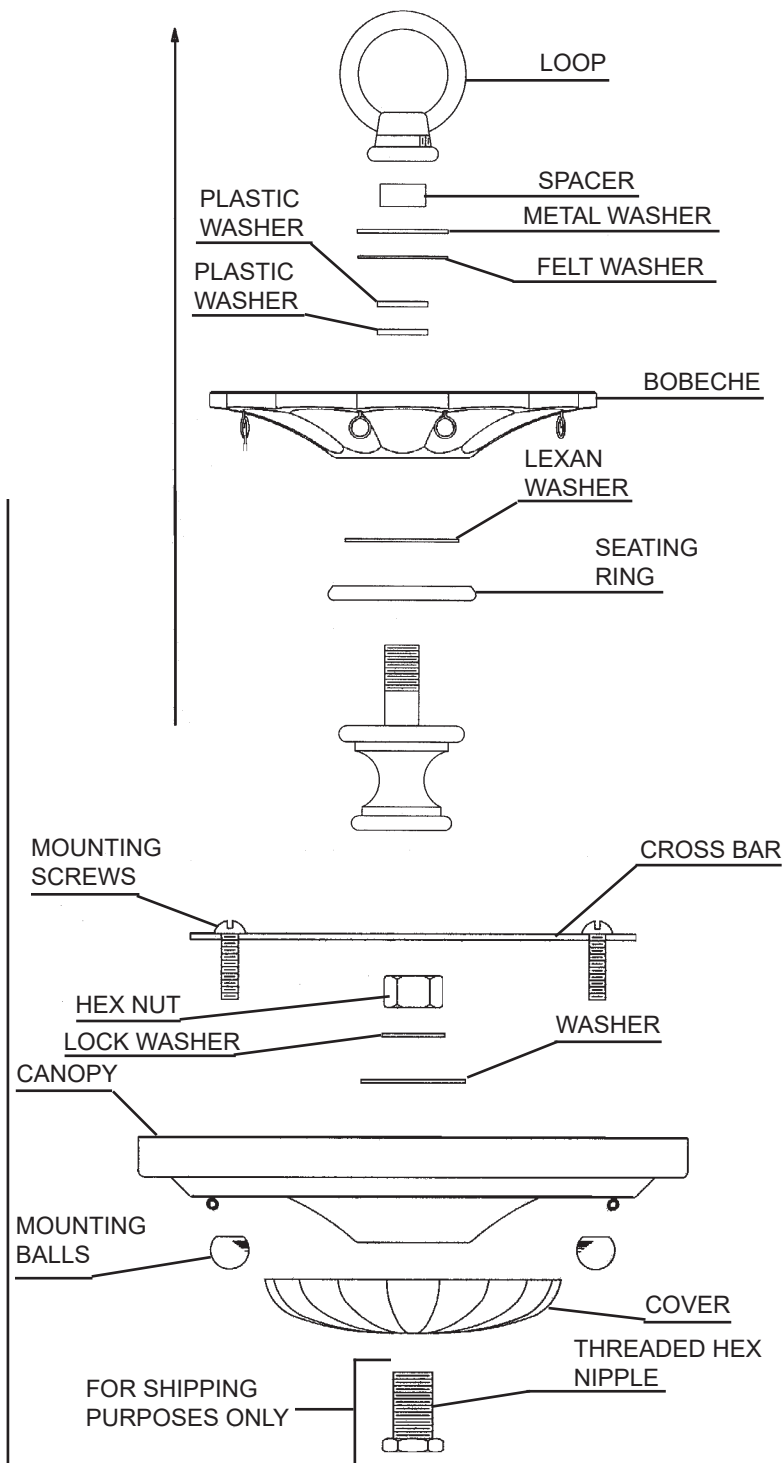
**3** Attach crossbar to outlet box.

**4** Slip screw collar and metal canopy over chain. Determine the suspension length of the fixture and cut chain, if necessary. Use two connecting links to attach chain to chandelier loop and ceiling loop.

**5** Insert stem wire through chain and ceiling loop. Connect wire. Fixture **MUST** be grounded. Check distance from ceiling to loop to assure canopy assembly will be flush against ceiling and tighten with lock nut. Attach canopy to ceiling with screw collar.

**6** Screw bulb into socket. Test power to insure proper wiring before hanging trim from fixture.

## CLOSE TO CEILING VERSION



**3** Remove set screw with tool provided. Remove all component parts from loop to seating ring. Remove threaded hex nipple and nut from assembled canopy. Run wires up through cover, canopy and component parts and tighten hex nut.

**4** Attach cross bar to outlet box. Connect wires. Fixture must be grounded.

**5** Attach canopy to ceiling with mounting balls, thereby retaining complete fixture against ceiling.

**6** Screw bulb into socket. Test power to insure proper wiring before hanging trim from fixture.



5 Lights  
Diameter: 18"  
Body Length: 19-1/2"  
Hanging Weight: 11 lbs.



5 Lights  
Diameter: 18"  
Body Length: 18-1/2"  
Hanging Weight: 11 lbs.

THIS DESIGN IS THE PROPRIETARY TRADE DRESS/TRADEMARK OF W SCHONBEK LLC.



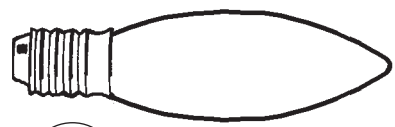
See diagram on back page  
Follow steps in exact order  
Save this trim diagram for future reference

**1** **IMPORTANT**  
*Person who opens carton should record the following information for future service.*

CODE #	_____	Four-digit number on outside of carton.
PACKER #	_____	See crystal package label.
ORDER #	_____	See crystal package label.



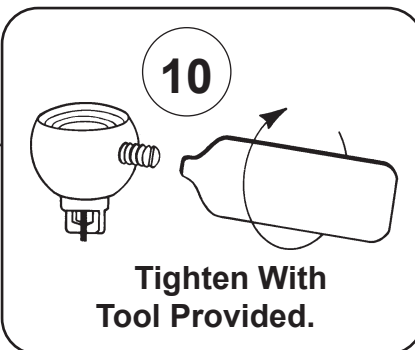
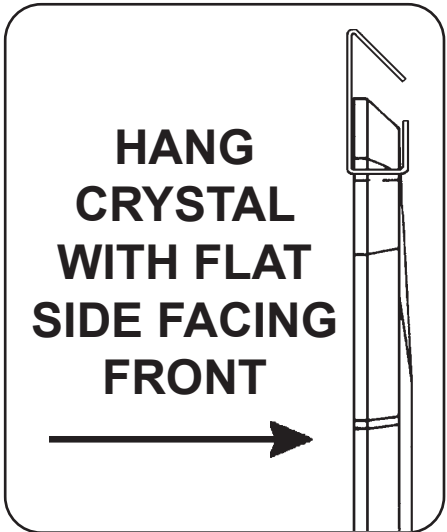
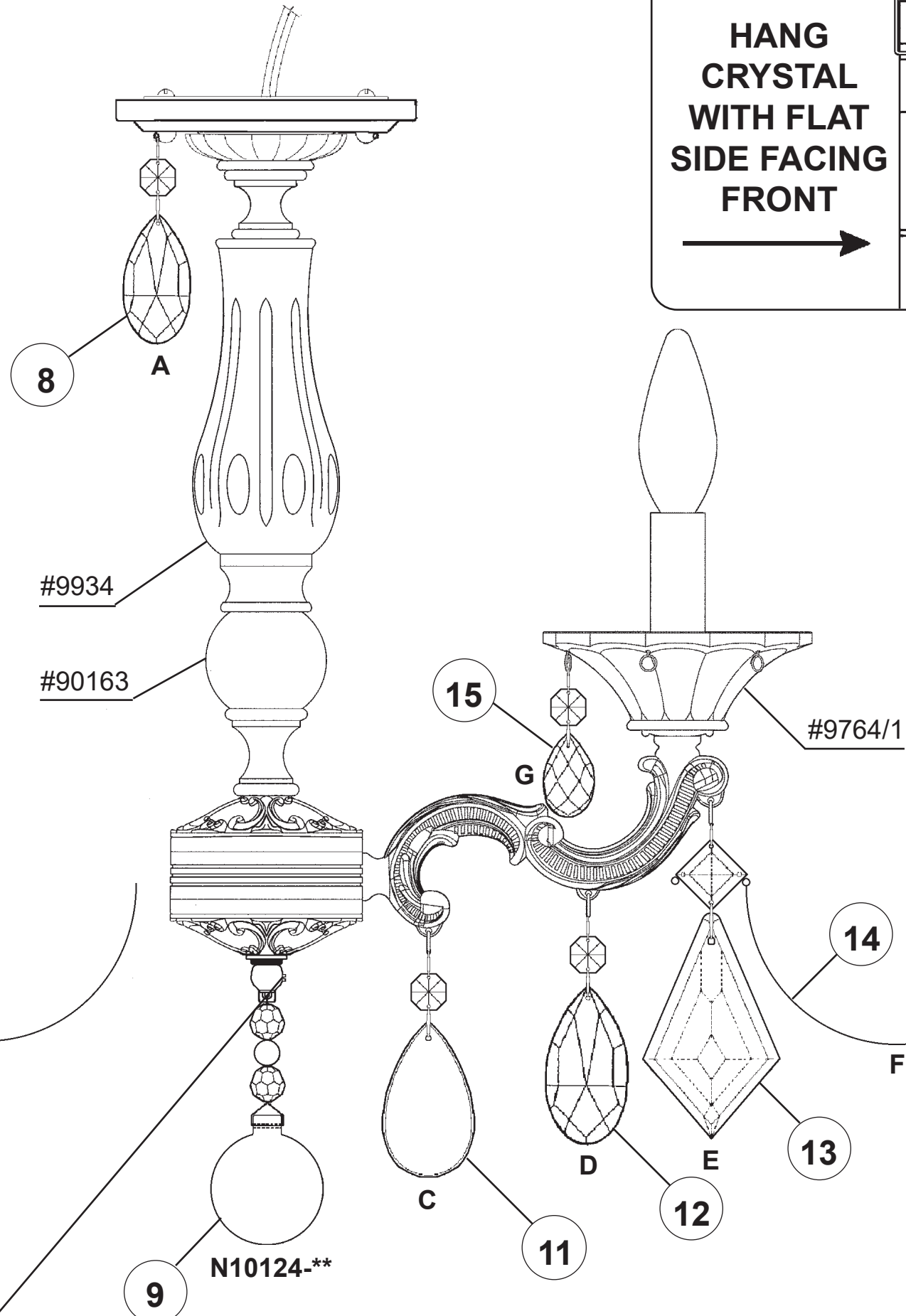
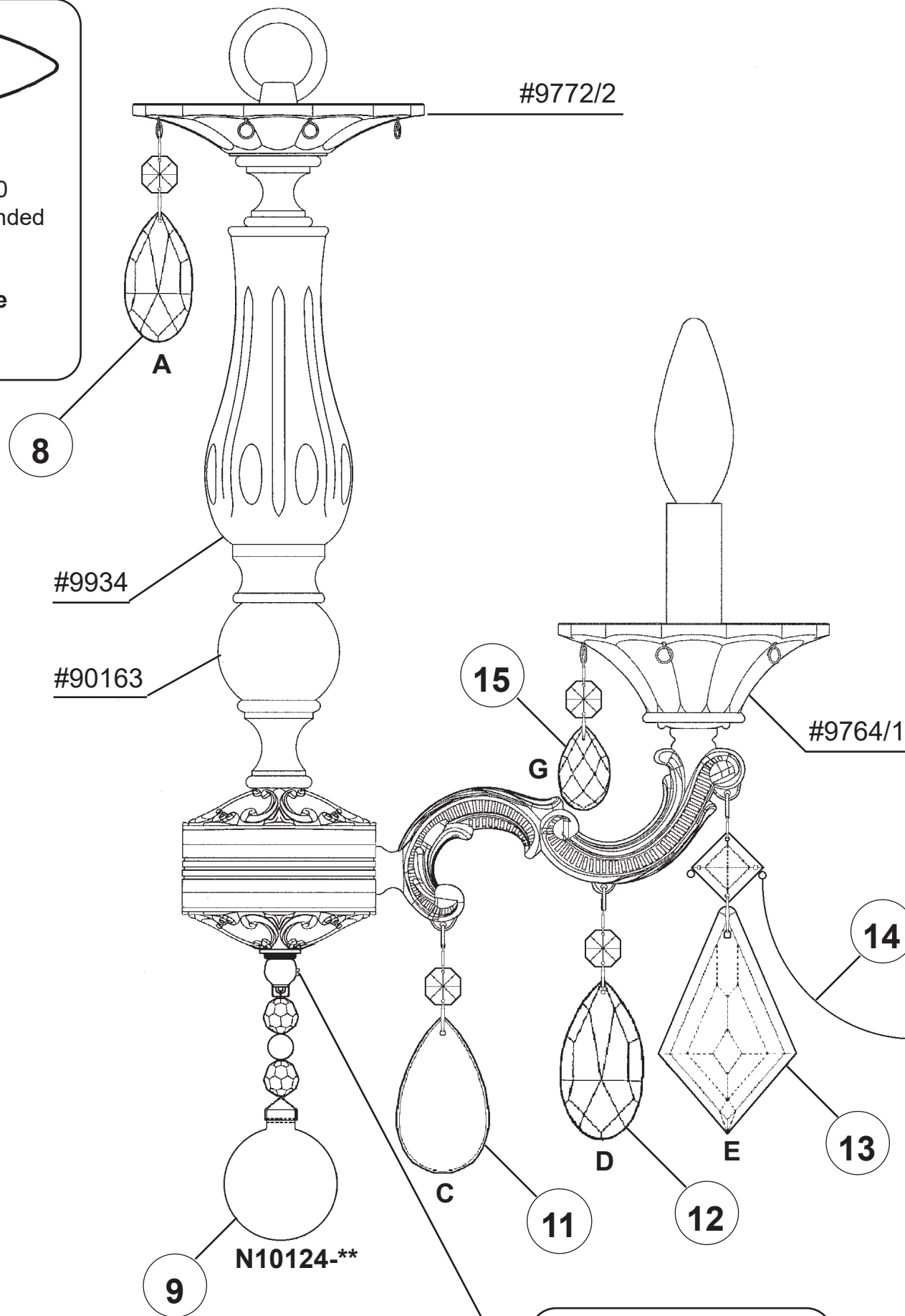
**Instructions for crystal trimming**  
**STEPS 7 - 15**



**7**

You will need 5 - B10  
25 Watts Recommended  
40 Watts Max

Install bulbs and be  
sure to test fixture  
BEFORE trimming.

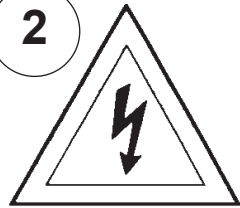


## Instructions for electrician

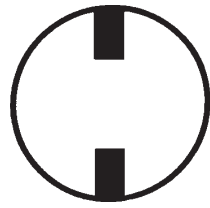
### STEPS 2 - 6

#### WARNING:

2



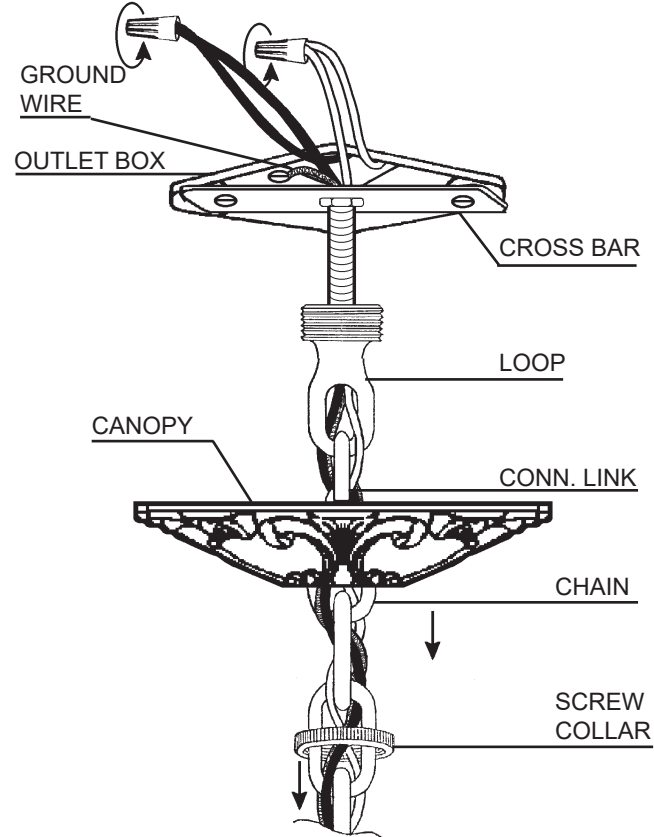
Electrical Danger



Turn Power Off

All electrical components must be installed by a licensed electrician in accordance with the National Electric Code and the appropriate local electrical codes.

#### PENDANT VERSION



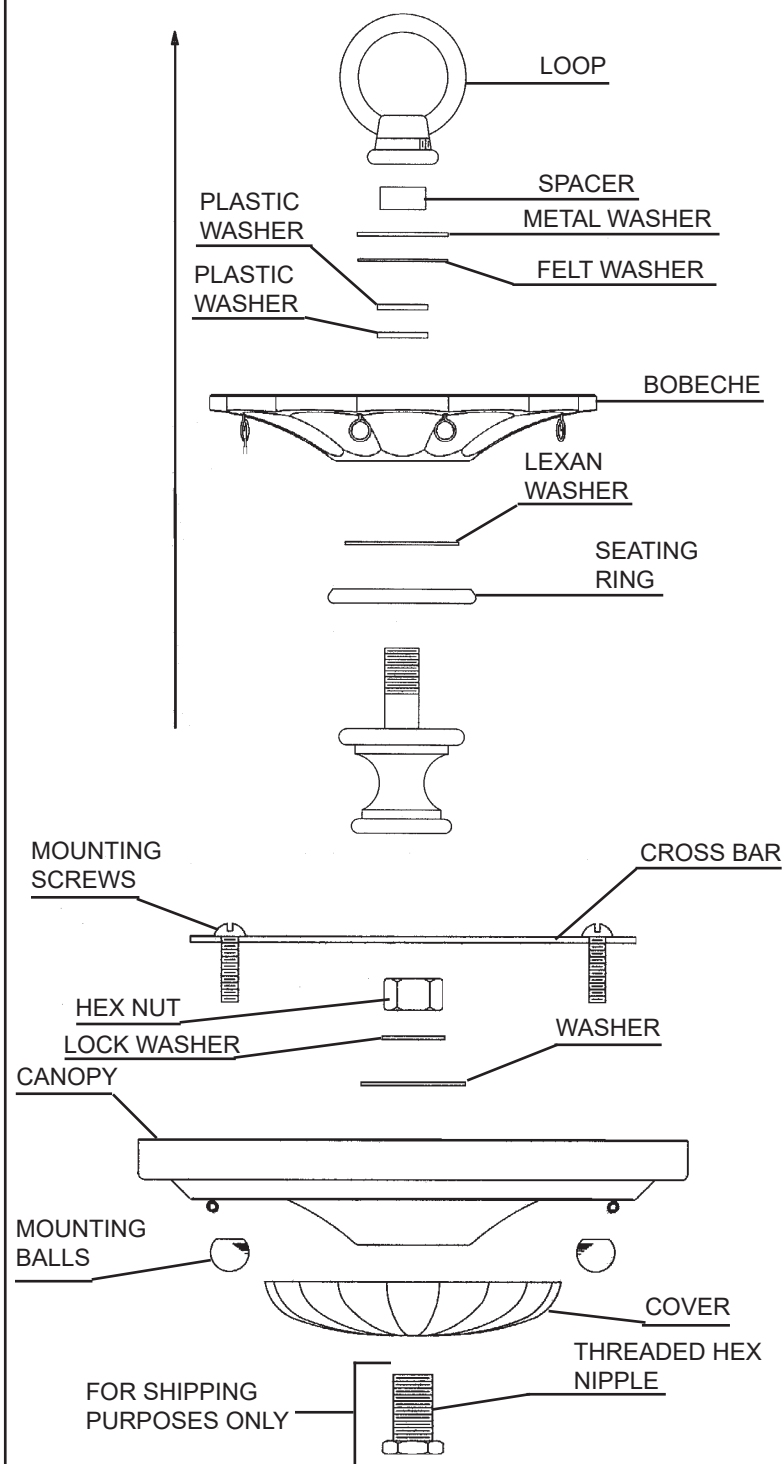
**3** Attach crossbar to outlet box.

**4** Slip screw collar and metal canopy over chain. Determine the suspension length of the fixture and cut chain, if necessary. Use two connecting links to attach chain to chandelier loop and ceiling loop.

**5** Insert stem wire through chain and ceiling loop. Connect wire. Fixture **MUST** be grounded. Check distance from ceiling to loop to assure canopy assembly will be flush against ceiling and tighten with lock nut. Attach canopy to ceiling with screw collar.

**6** Screw bulb into socket. Test power to insure proper wiring before hanging trim from fixture.

#### CLOSE TO CEILING VERSION



**3** Remove set screw with tool provided. Remove all component parts from loop to seating ring. Remove threaded hex nipple and nut from assembled canopy. Run wires up through cover, canopy and component parts and tighten hex nut.

**4** Attach cross bar to outlet box. Connect wires. Fixture must be grounded.

**5** Attach canopy to ceiling with mounting balls, thereby retaining complete fixture against ceiling.

**6** Screw bulb into socket. Test power to insure proper wiring before hanging trim from fixture.

## CHANDELIER 5345-\_\_\_ \_\_R TRIM DIAGRAM

(Finish Option)



5 Lights  
Diameter: 18"  
Body Length: 20-1/2"  
Hanging Weight: 11 lbs.



5 Lights  
Diameter: 18"  
Body Length: 19-1/2"  
Hanging Weight: 11 lbs.

**T**HIS DESIGN IS THE PROPRIETARY TRADE DRESS/TRADEMARK OF W SCHONBEK LLC.



# SCHONBEK

1870

**See diagram on back page  
Follow steps in exact order  
Save this trim diagram for future reference**

1

#### IMPORTANT

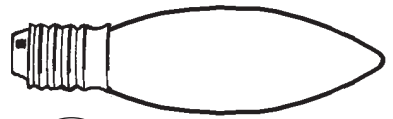
**Person who opens carton should record the following information for future service.**

CODE # \_\_\_\_\_ Four-digit number on outside of carton.  
PACKER # \_\_\_\_\_ See crystal package label.  
ORDER # \_\_\_\_\_ See crystal package label.



# Instructions for crystal trimming


## STEPS 7 - 15



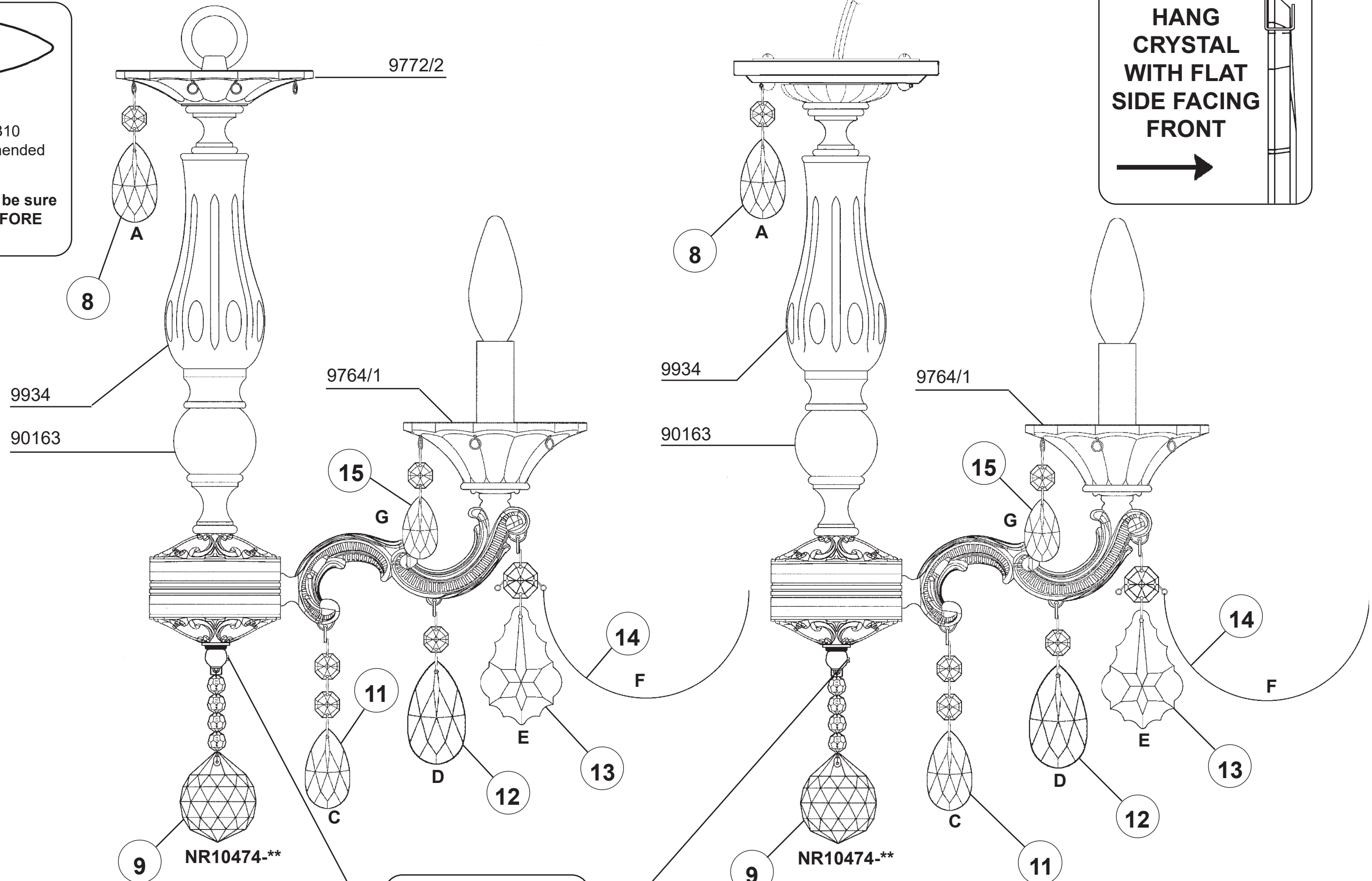
**7**  
 You will need 5 - B10  
 25 Watts Recommended  
 40 Watts Max

**Install bulbs and be sure to test fixture BEFORE trimming.**

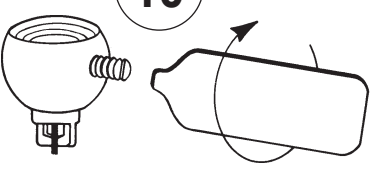
**HANG CRYSTAL WITH FLAT SIDE FACING FRONT**



→



**10**



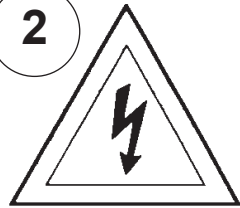
**Tighten With Tool Provided.**

## Instructions for electrician

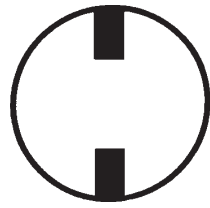
### STEPS 2 - 6

#### WARNING:

2



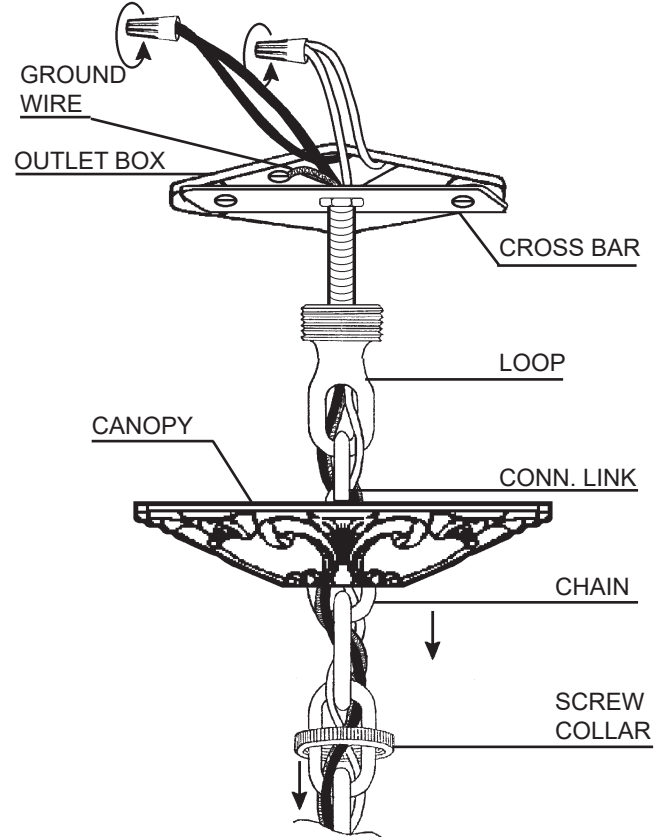
Electrical Danger



Turn Power Off

All electrical components must be installed by a licensed electrician in accordance with the National Electric Code and the appropriate local electrical codes.

#### PENDANT VERSION



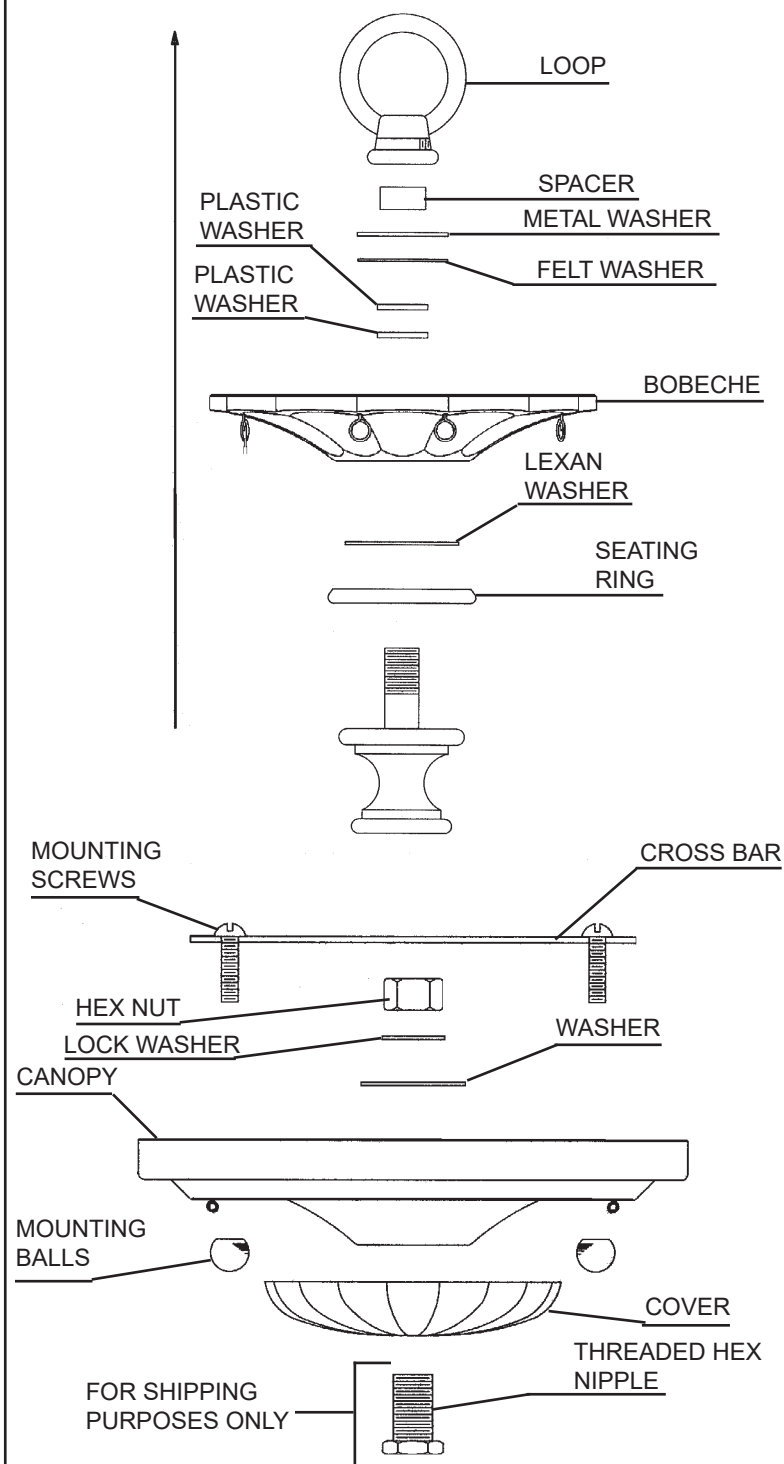
**3** Attach crossbar to outlet box.

**4** Slip screw collar and metal canopy over chain. Determine the suspension length of the fixture and cut chain, if necessary. Use two connecting links to attach chain to chandelier loop and ceiling loop.

**5** Insert stem wire through chain and ceiling loop. Connect wire. Fixture **MUST** be grounded. Check distance from ceiling to loop to assure canopy assembly will be flush against ceiling and tighten with lock nut. Attach canopy to ceiling with screw collar.

**6** Screw bulb into socket. Test power to insure proper wiring before hanging trim from fixture.

#### CLOSE TO CEILING VERSION



**3** Remove set screw with tool provided. Remove all component parts from loop to seating ring. Remove threaded hex nipple and nut from assembled canopy. Run wires up through cover, canopy and component parts and tighten hex nut.

**4** Attach cross bar to outlet box. Connect wires. Fixture must be grounded.

**5** Attach canopy to ceiling with mounting balls, thereby retaining complete fixture against ceiling.

**6** Screw bulb into socket. Test power to insure proper wiring before hanging trim from fixture.

# CHANDELIER 5345- \_\_\_\_\_ TRIM DIAGRAM

(Finish Option) (Trim Option)



5 Lights  
Diameter: 18"  
Body Length: 20-1/2"  
Hanging Weight: 11 lbs.



5 Lights  
Diameter: 18"  
Body Length: 19-1/2"  
Hanging Weight: 11 lbs.

**T**HIS DESIGN IS THE PROPRIETARY TRADE DRESS/TRADEMARK OF W SCHONBEK LLC.



# SCHONBEK

1870

**See diagram on back page  
Follow steps in exact order  
Save this trim diagram for future reference**

**1**

**IMPORTANT**  
*Person who opens carton should record the following information for future service.*

CODE # \_\_\_\_\_ Four-digit number on outside of carton.  
PACKER # \_\_\_\_\_ See crystal package label.  
ORDER # \_\_\_\_\_ See crystal package label.



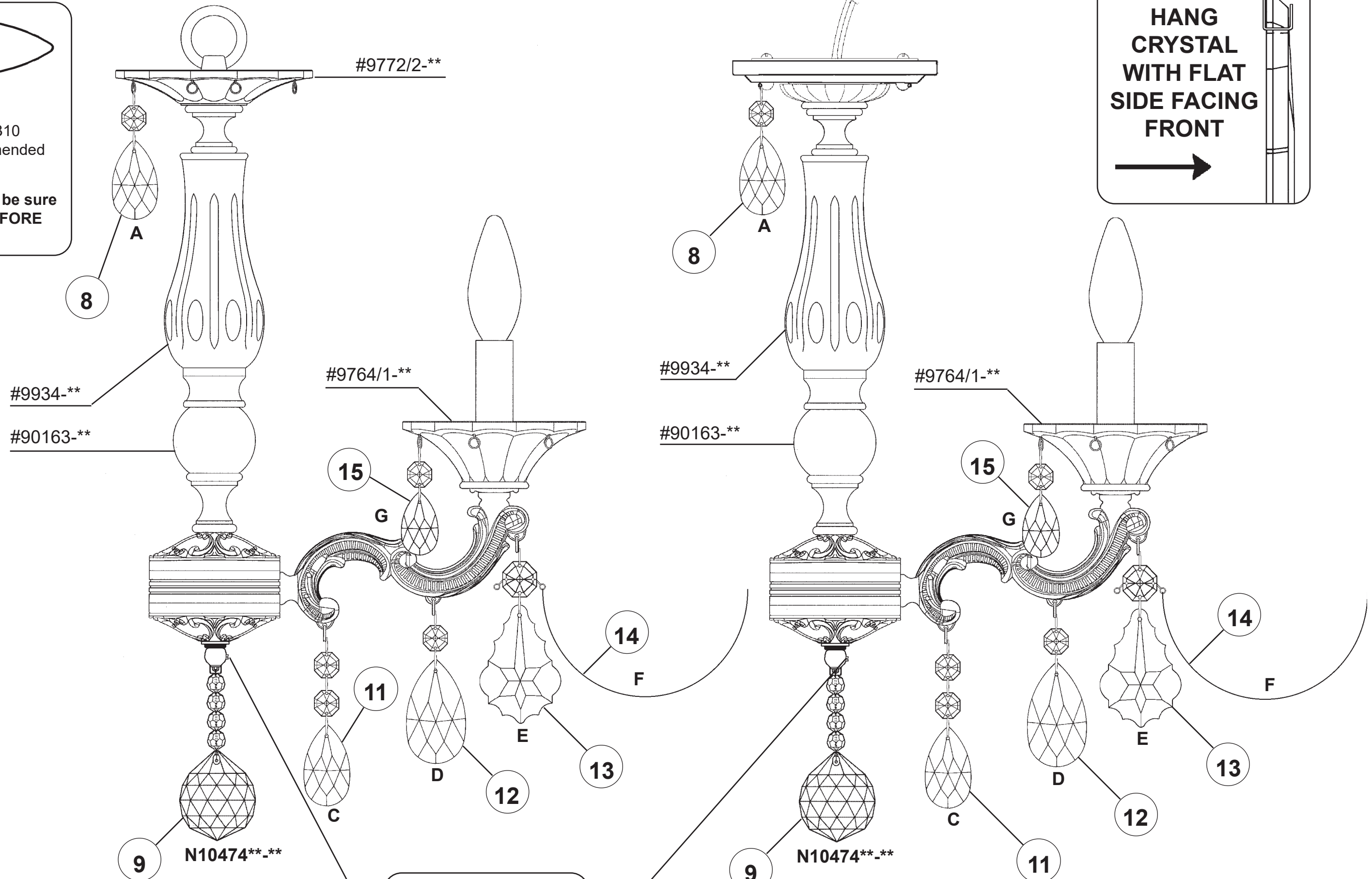
# Instructions for crystal trimming

## STEPS 7 - 15

**7**

You will need 5 - B10  
25 Watts Recommended  
40 Watts Max

**Install bulbs and be sure  
to test fixture BEFORE  
trimming.**



**HANG  
CRYSTAL  
WITH FLAT  
SIDE FACING  
FRONT**

→