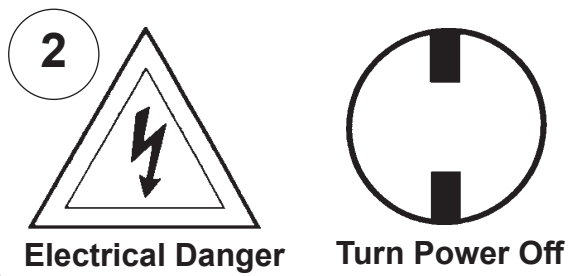


# Instructions for electrician

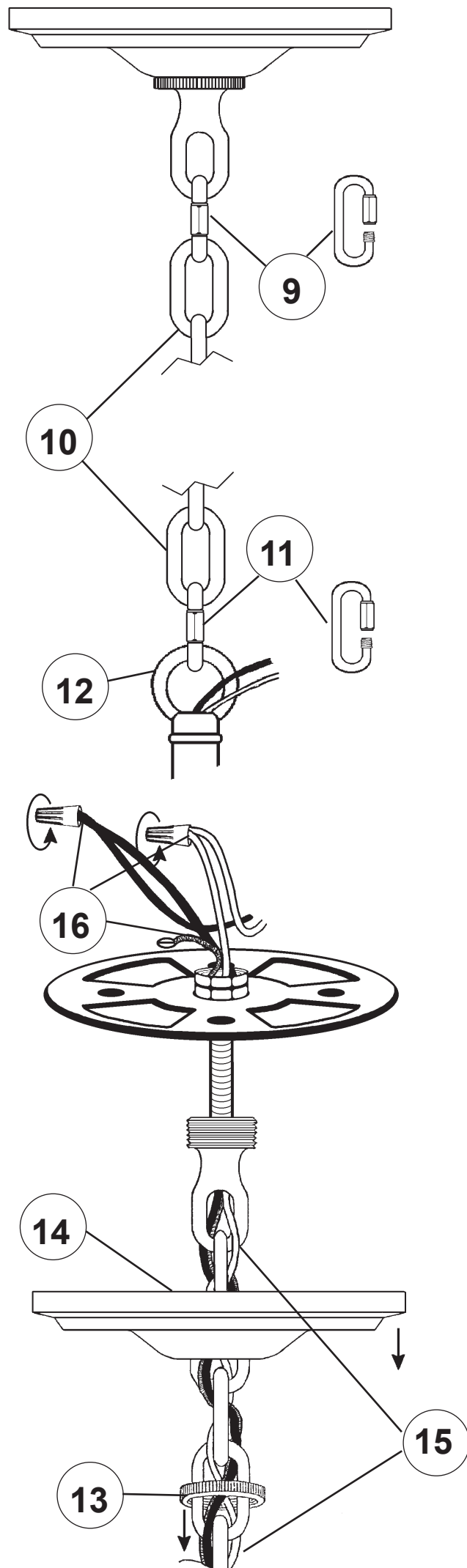
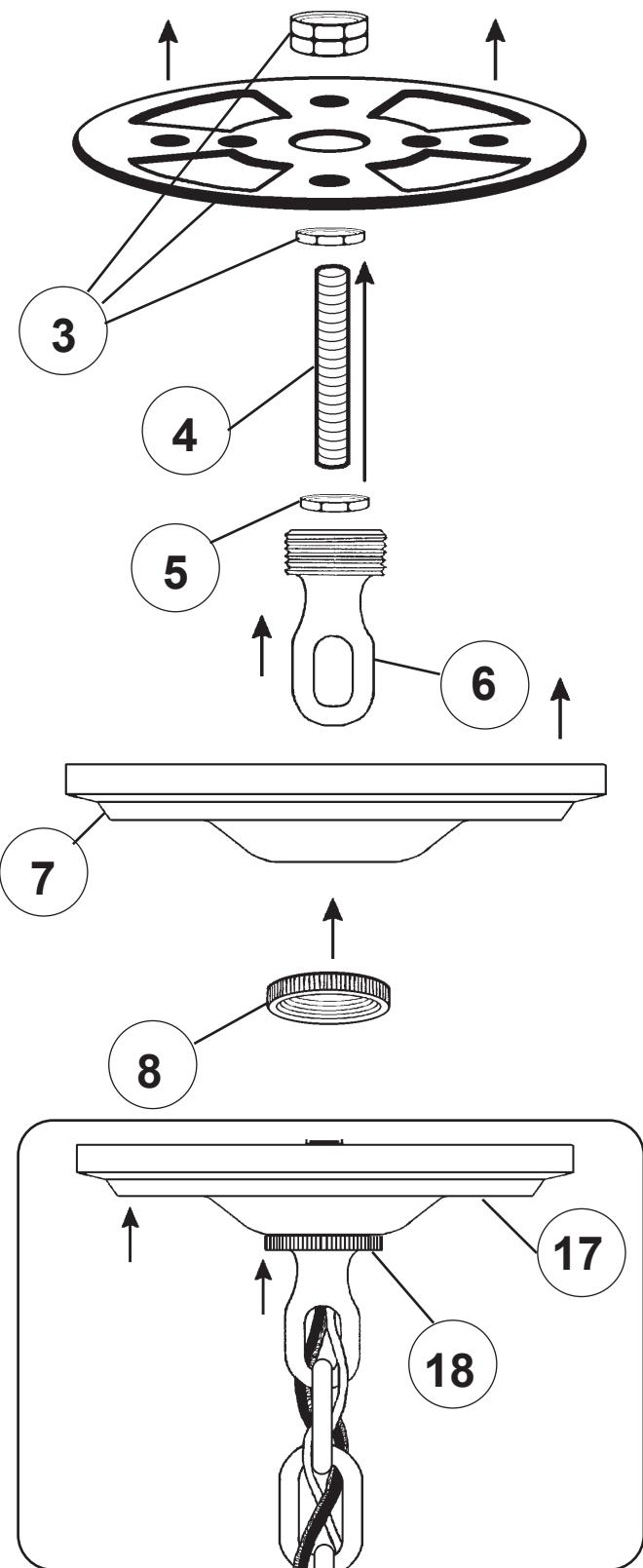
## STEPS 2 - 18

**WARNING:** THIS LUMINAIRE MUST BE MOUNTED OR SUPPORTED INDEPENDENTLY OF AN OUTLET BOX.

**WARNING:**

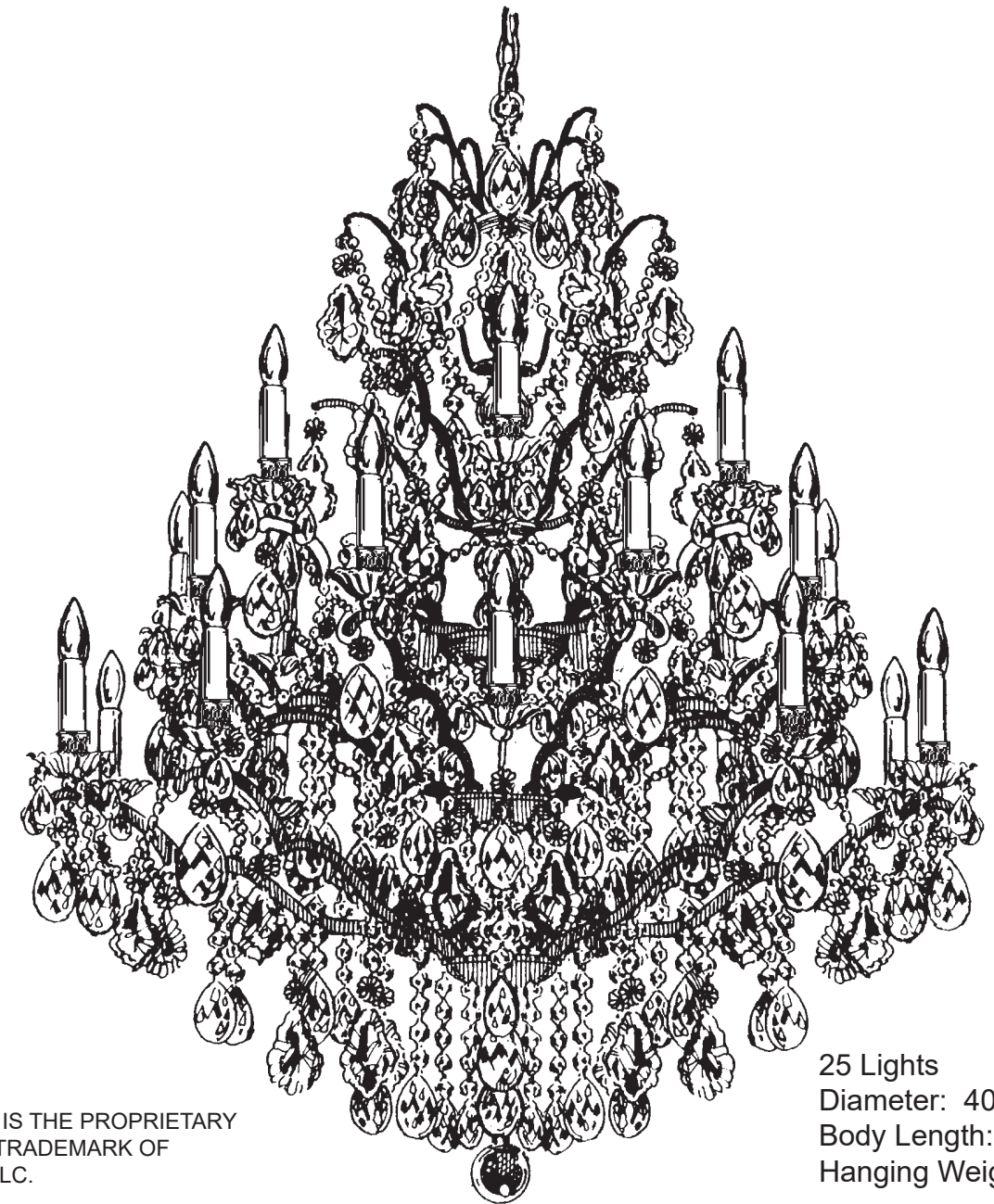


All electrical components must be installed by a licensed electrician in accordance with the National Electric Code and the appropriate local electrical codes.



# CHANDELIER 5775-\_\_\_H TRIM DIAGRAM

(Finish Option)



25 Lights  
Diameter: 40"  
Body Length: 48"  
Hanging Weight: 52 lbs.

THIS DESIGN IS THE PROPRIETARY TRADE DRESS/TRADemark OF W SCHONBEK LLC.



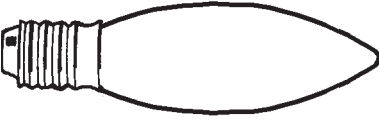
**See diagram on back page  
Follow steps in exact order  
Save this trim diagram for future reference**

**IMPORTANT**  
**1** Person who opens carton should record the following information for future service.  
CODE # \_\_\_\_\_ Four-digit number on outside of carton.  
PACKER # \_\_\_\_\_ See crystal package label.  
ORDER # \_\_\_\_\_ See crystal package label.



**Instructions for crystal trimming**  
**STEPS 19 - 47**

**19**



You will need 25 - B10  
 25 Watts Recommended  
 60 Watts Max

