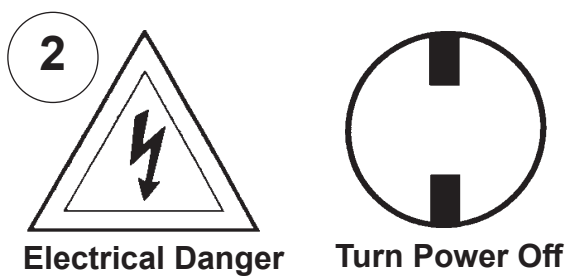


Instructions for electrician

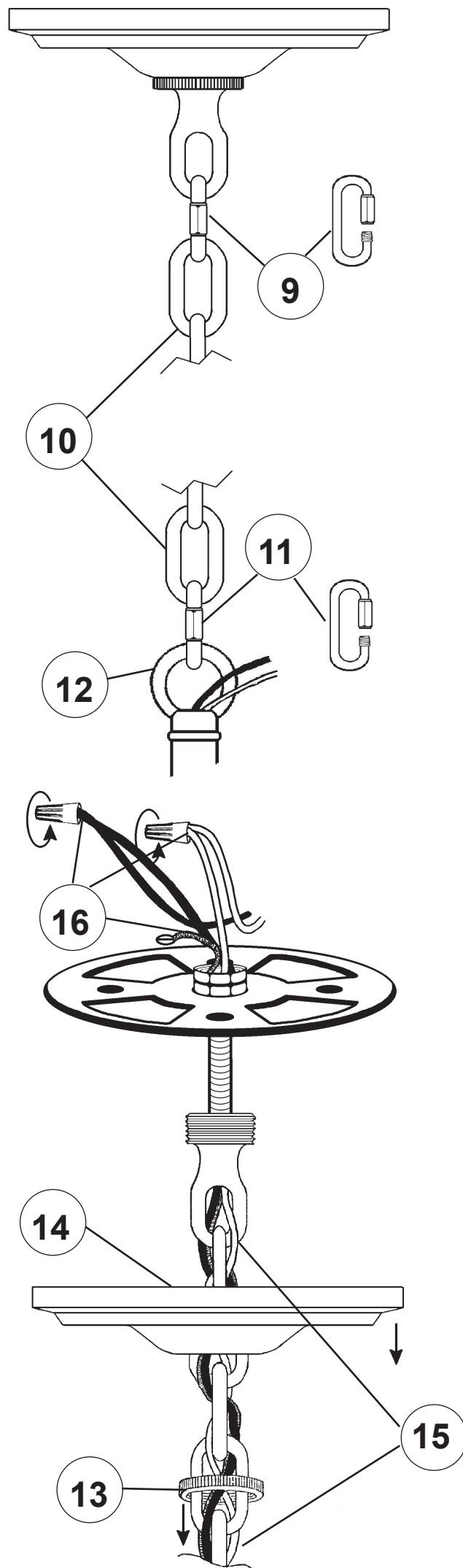
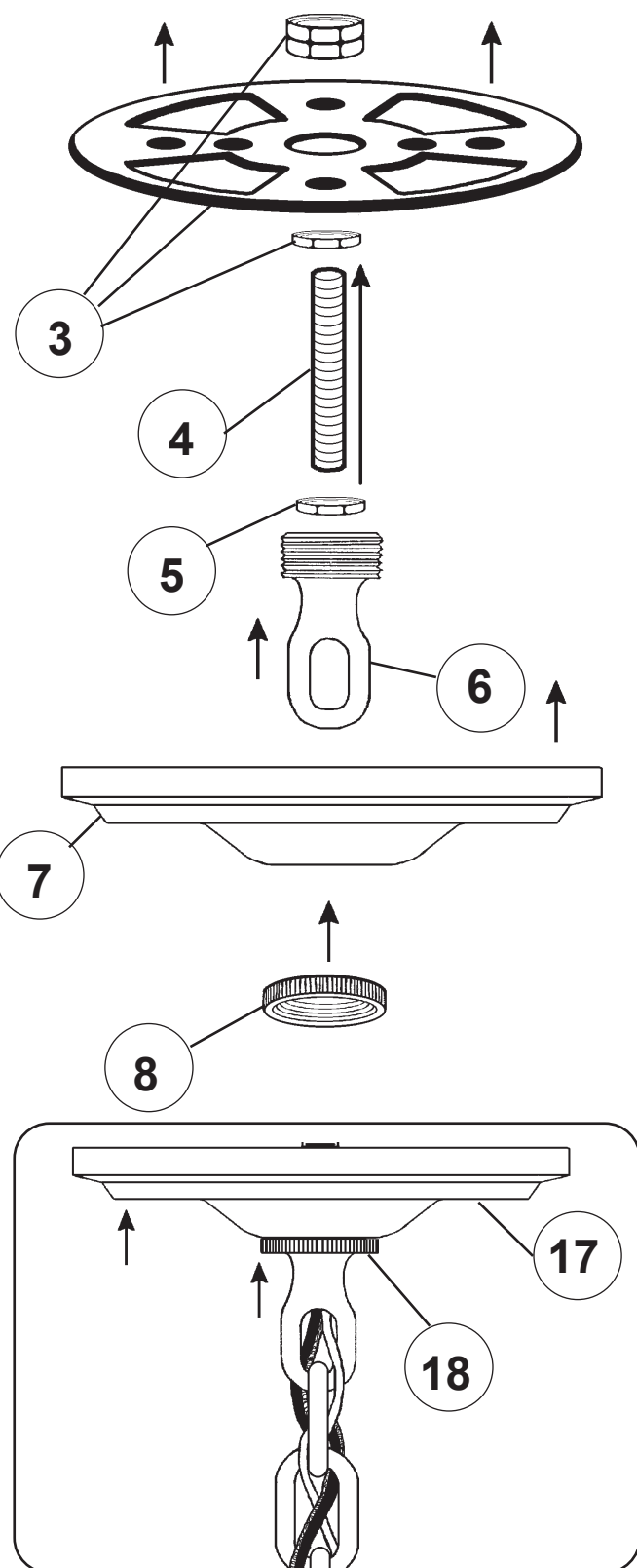
STEPS 2 - 18

WARNING: THIS LUMINAIRE MUST BE MOUNTED OR SUPPORTED INDEPENDENTLY OF AN OUTLET BOX.

WARNING:

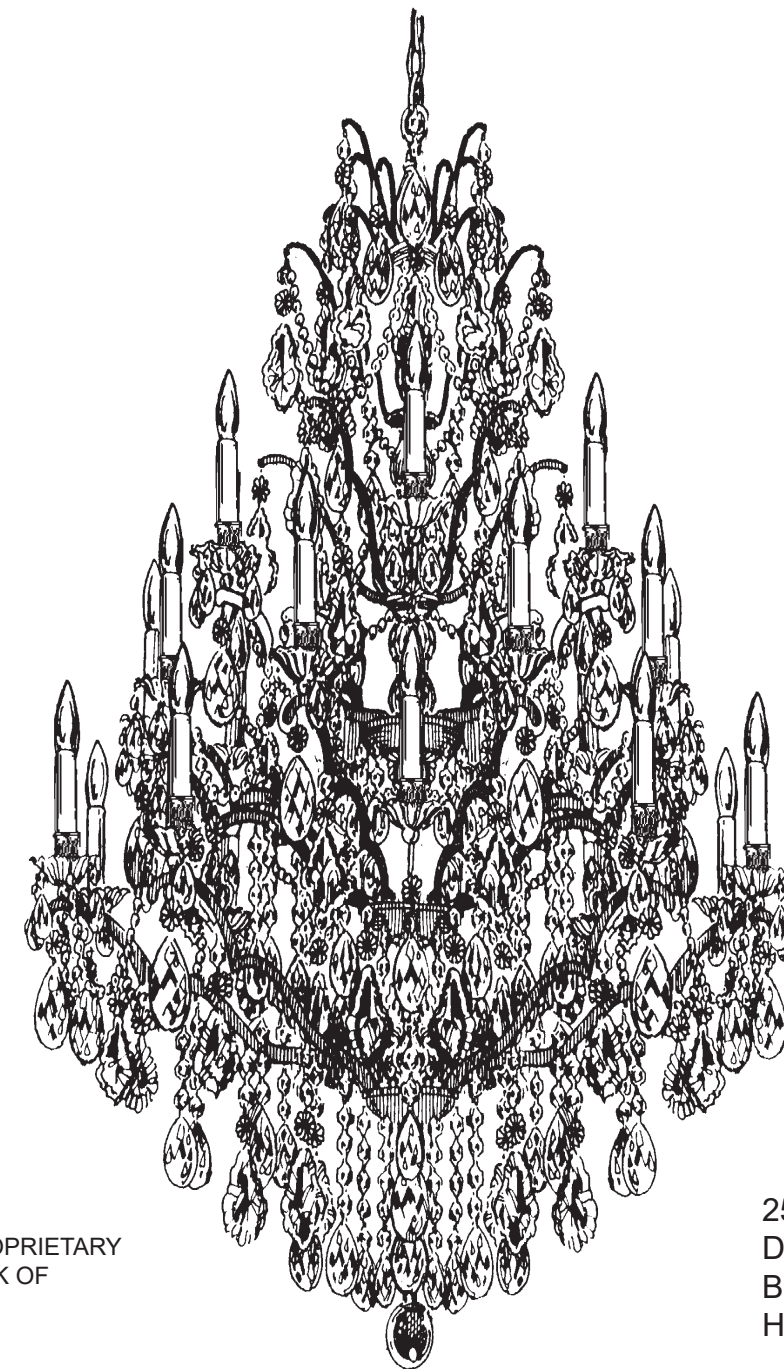


All electrical components must be installed by a licensed electrician in accordance with the National Electric Code and the appropriate local electrical codes.



CHANDELIER 5782-___H TRIM DIAGRAM

(FINISH OPTION)



25 Lights
Diameter: 40"
Body Length: 64-1/2"
Hanging Weight: 56 lbs.

THIS DESIGN IS THE PROPRIETARY TRADE DRESS/TRADemark OF W SCHONBEK LLC.

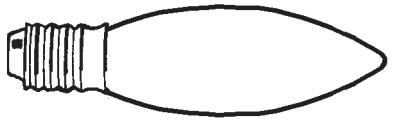


See diagram on back page
Follow steps in exact order
Save this trim diagram for future reference

1 **IMPORTANT**
Person who opens carton should record the following information for future service.
CODE # _____ Four-digit number on outside of carton.
PACKER # _____ See crystal package label.
ORDER # _____ See crystal package label.

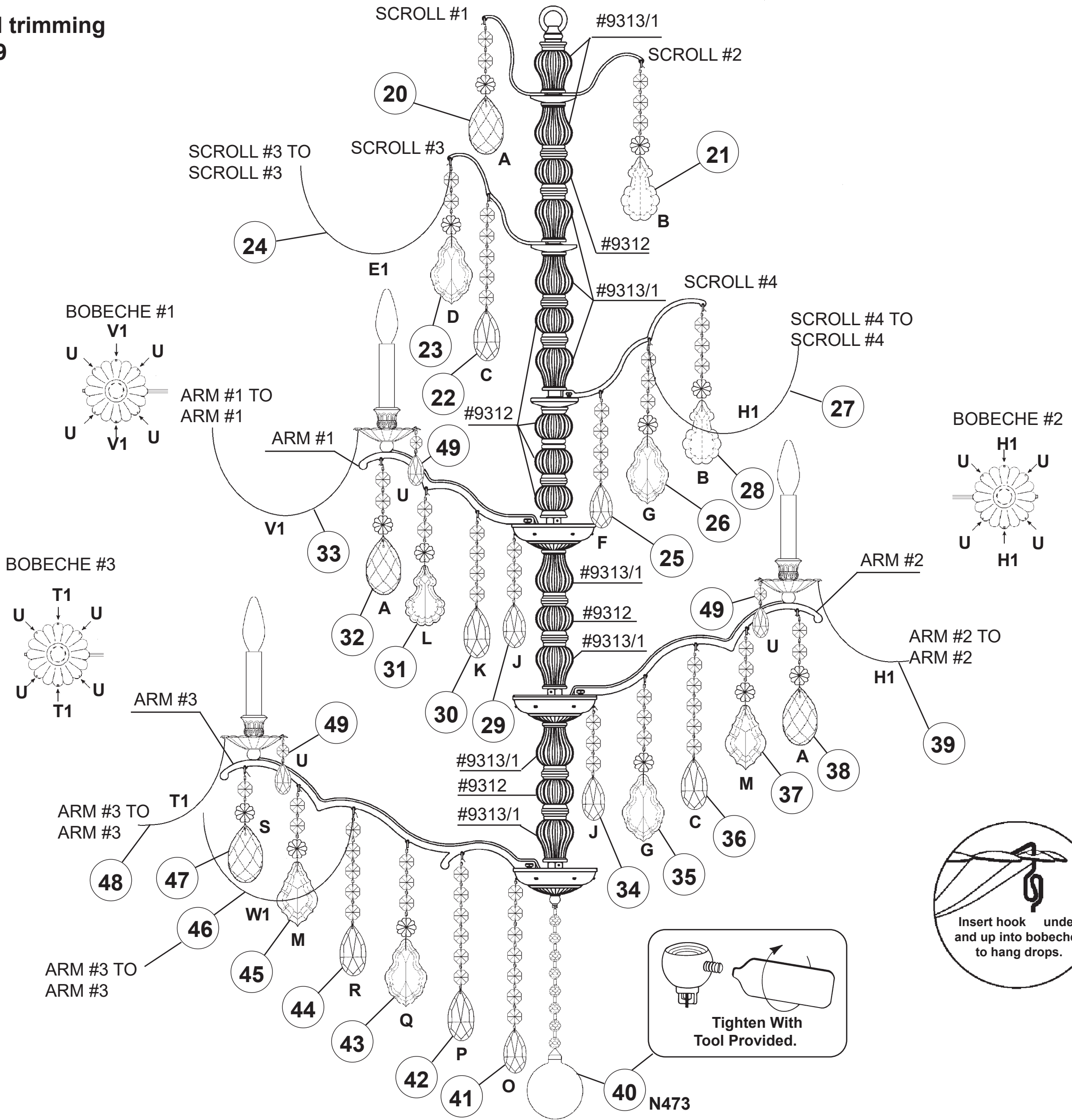


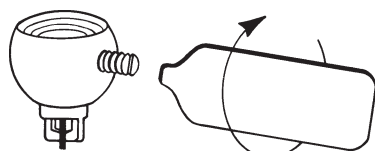
Instructions for crystal trimming
STEPS 19 - 49



19

You will need 25 - B10
 25 Watts Recommended
 60 Watts Max





**Tighten With
Tool Provided.**



Insert hook under
and up into bobèche
to hang drops.