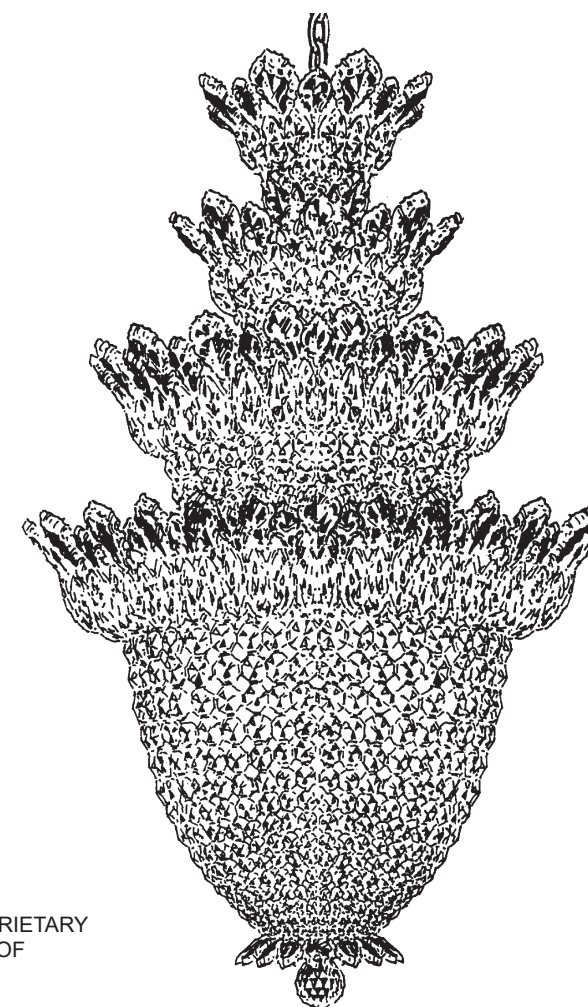




# CHANDELIER 5848H TRIM DIAGRAM



THIS DESIGN IS THE PROPRIETARY TRADE DRESS/TRADEMARK OF W SCHONBEK LLC.

24 Lights  
Diameter: 24"  
Body Length: 38"



CAUTION... RISK OF ELECTRICAL SHOCK. Make sure the electrical supply to the chandelier is turned off at the main fuse or circuit breaker before doing any installation. All electrical components must be installed by a licensed electrician in accordance with the National Electric Code and the appropriate local electrical codes.

HANGING WEIGHT: 45lbs.

BULBS: (24) Candle shaped candelabra base B10 bulbs, recommend 25 watts for best appearance.  
60 - Watts Maximum

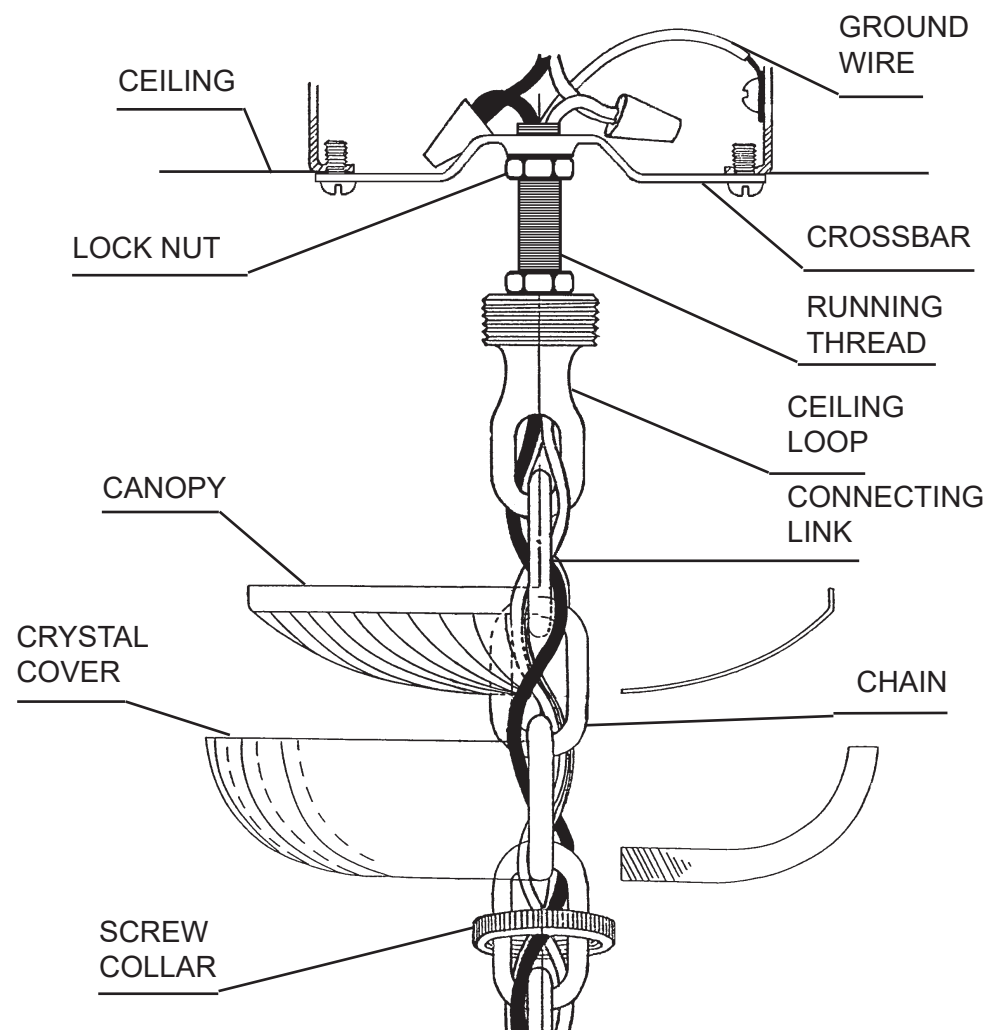
WARNING: This chandelier meets UL/CSA requirements. Any tampering will void UL/CSA certification.

**Follow steps in exact order  
Save this trim diagram for future reference**

### IMPORTANT

*Please record the following information for future service.*

CODE # \_\_\_\_\_ Four-digit number on outside of carton.  
PACKER # \_\_\_\_\_ See crystal package label.  
ORDER # \_\_\_\_\_ See crystal package label.



**1 MAKE SURE POWER IS DISCONNECTED!!**

**2** Attach crossbar to outlet box.

**3** Slip screw collar, crystal cover and metal canopy over chain and then determine at what length the fixture is to be suspended. Join the required length of fixture chain to connecting link on stem of fixture and loop attached to ceiling canopy at other end.

**4** Feed stem wires through chain, through loop at canopy end, and attach to power wires in outlet box. Fixture **MUST** be grounded.

**5** Check distance from ceiling to loop to assure canopy assembly will be flush against ceiling.

**6** Attach canopy to ceiling with screw collar, thereby retaining complete assembly against ceiling.  
Screw bulbs into all sockets. Test power to insure proper wiring before hanging trim from fixture.

## MAINTENANCE:

Use a soft, lint - free cloth to clean the metal frame.

**UNDER NO CIRCUMSTANCES SHOULD METAL POLISHES, CLEANERS, ABRASIVES OR AEROSOL SPRAYS BE USED.**

While the latest finishing techniques have been used on the metal frame, such finish cannot be unconditionally guaranteed. The main cause of deterioration, apart from certain atmospheric conditions, is improper cleaning.

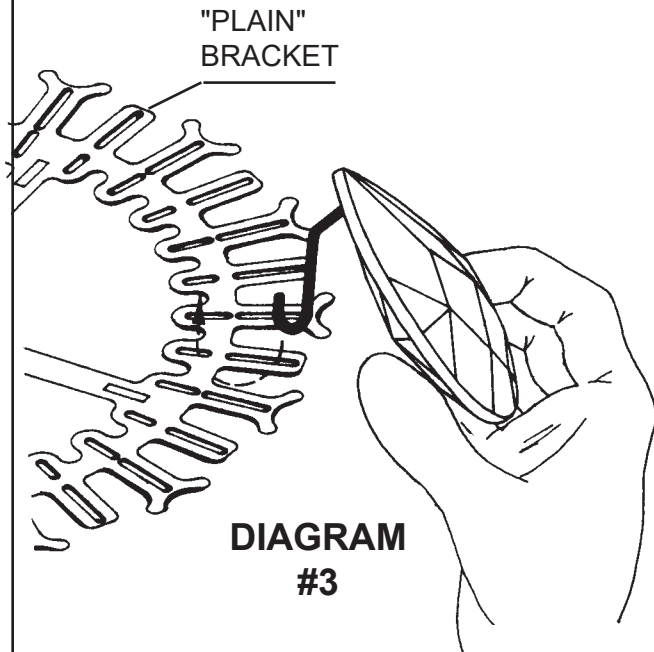
To clean the crystals, polish with a damp chamois.

You are cleaning delicate jewelry... Take the greatest care.

## IMPORTANT:

Do not clean crystals in a dishwasher. The finish of the metal clips and hangers will be ruined and the crystals may be damaged.

### Installation of Crystal "F" and "J"

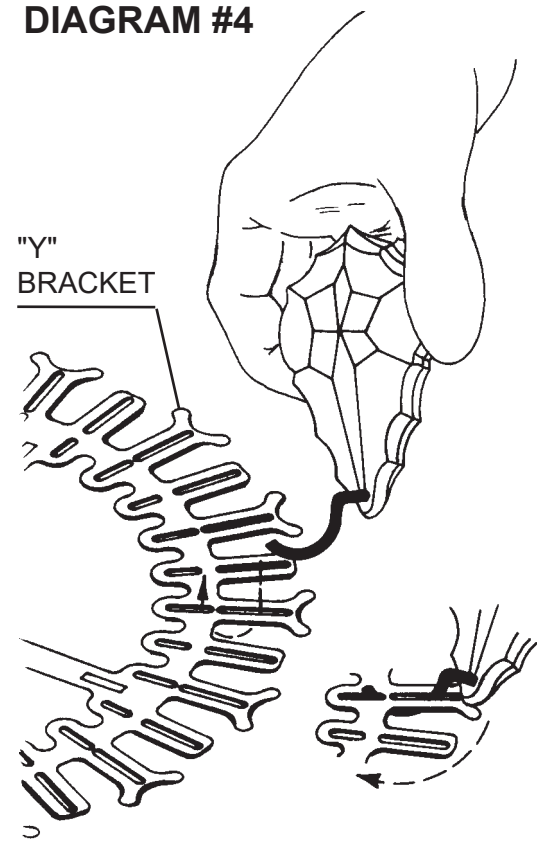


Position the crystal above the "plain" bracket so that the end of the hook enters the slot, gently push toward the center of the fixture and raise the crystal making sure that the end of the hook comes up through the inner slot, in line with the outer slot.

With the hook in the bracket, as shown, pivot the crystal downwards so that the hook rests in the end of the outer slot.



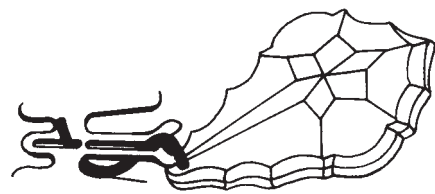
DIAGRAM #4



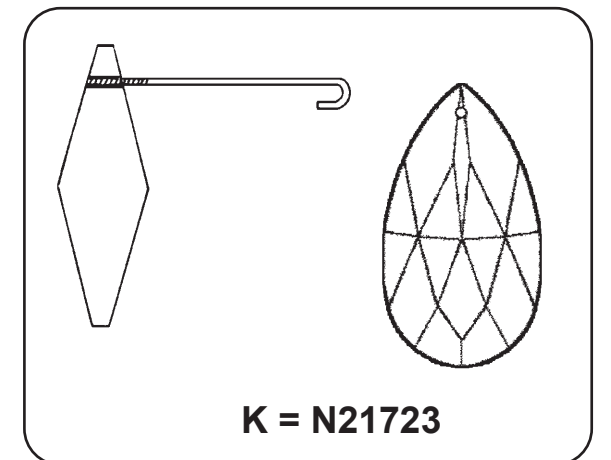
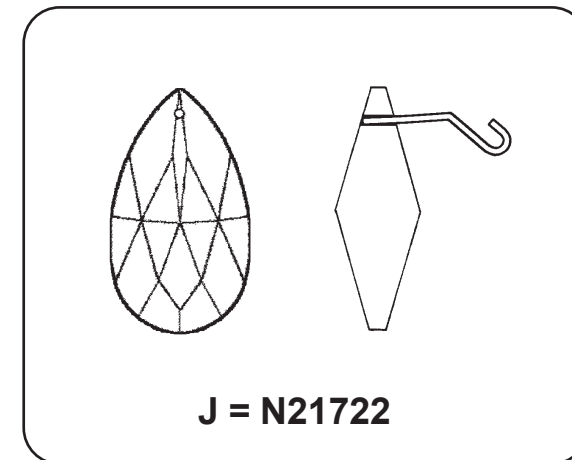
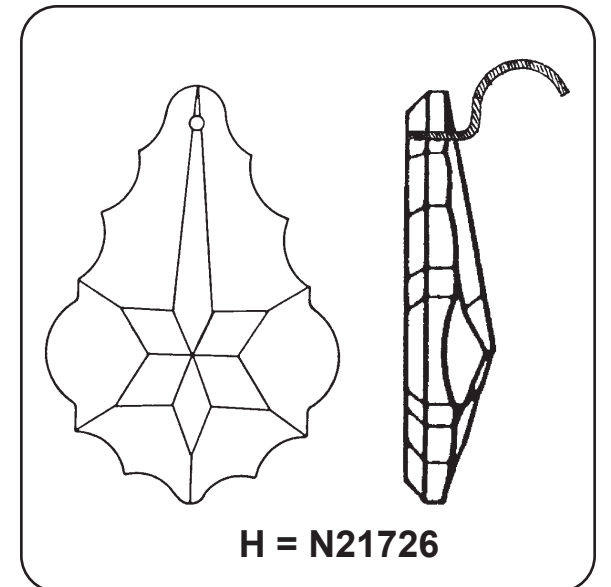
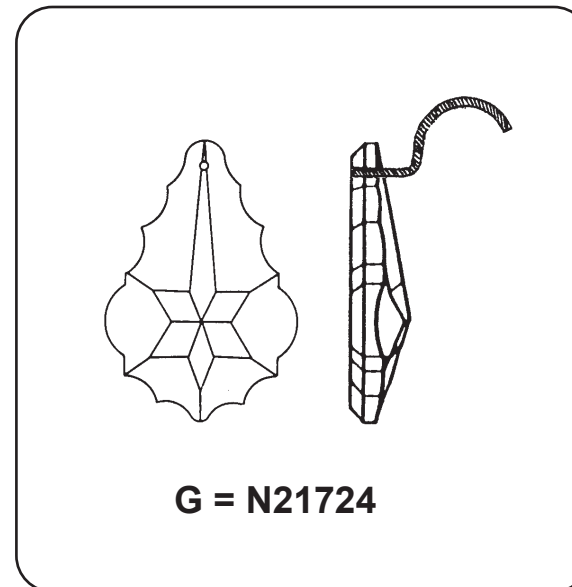
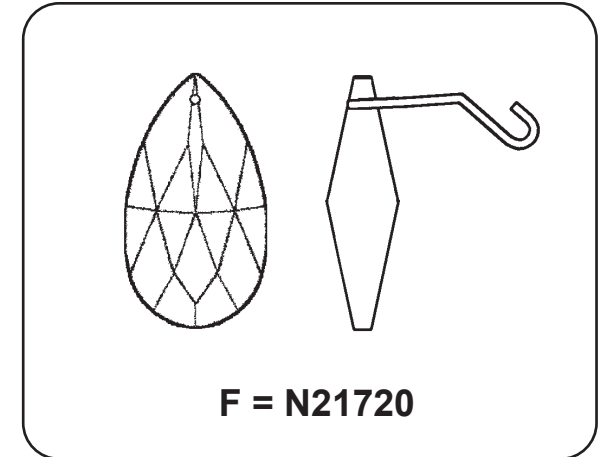
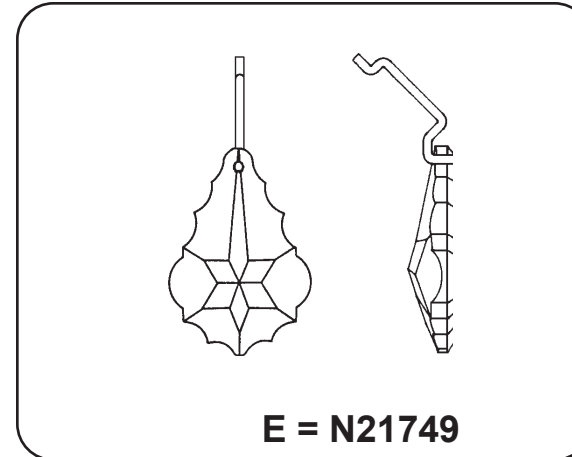
### Installation of Crystal "G" and "H"

Position the crystal above the "Y" bracket so that the end of the hook enters the long slot, gently push toward the center of the fixture and raise the crystal making sure that the end of the hook comes up through the short slot, in line with the long slot.

With the hook in the bracket, as shown, pivot the crystal downwards so that the hook rests in the end of the long slot.



## TRIM ID SHEET FOR ORDERING SPARE PARTS. PLEASE SAVE FOR CLEANING FIXTURE!



**7** Hook Crystal Chain "A" into ring #2 and hook the bottom of the crystal chain into the washer. Close bottom hook after inserting into washer.  
 Hook Crystal Chain "B" into ring #4 and hook the bottom of the crystal chain into the washer. Close bottom hook after inserting into washer.  
 Hook Crystal Chain "C" into ring #6 and hook the bottom of the crystal chain into the washer. Close bottom hook after inserting into washer.

**8** Hook Crystal Chain "D" into ring #8. NOTE: Allow the bottom of Crystal Chain "D" to hang loose.

**9** Hook Crystal "E" into the washer. (See diagram #1 for detailed instructions.)  
 Hook the bottom of Chains "D" into the washer. Close bottom hook after inserting into washer.

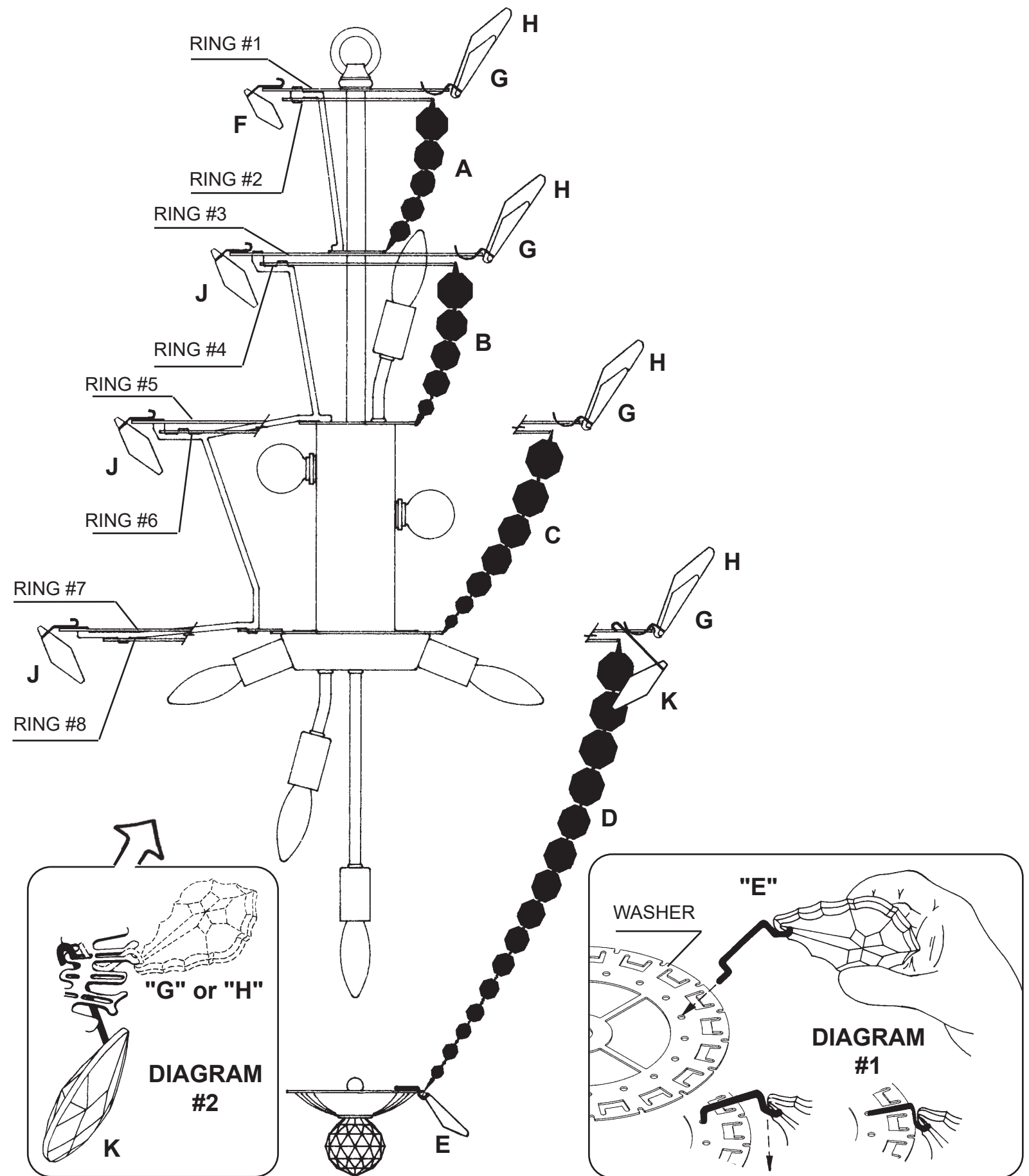
**10** Hook Crystal "F" into the "plain" bracket of ring #1. (See diagram #3 on page 6 for detailed instructions.)  
 Hook small Crystal "G" into every second "Y" bracket on ring #1. (See diagram #4 on page 6 for detailed instructions.)  
 Hook large Crystal "H" into the remaining "Y" brackets on ring #1. (See diagram #4 on page 6 for detailed instructions.)

**11** Hook Crystal "J" into the "plain" bracket of ring #3. (See diagram #3 on page 6 for detailed instructions.)  
 Hook Crystal "G" into every second "Y" bracket of ring #3. (See diagram #4 on page 6 for detailed instructions.)  
 Hook Crystal "H" into the remaining "Y" brackets on ring #3. (See diagram #4 on page 6 for detailed instructions.)

**12** Repeat Step #11 for ring #5.

**13** Hook Crystal "K" into the back slot of the "Y" brackets on the lower ring. (See diagram #2 for detailed instructions.)

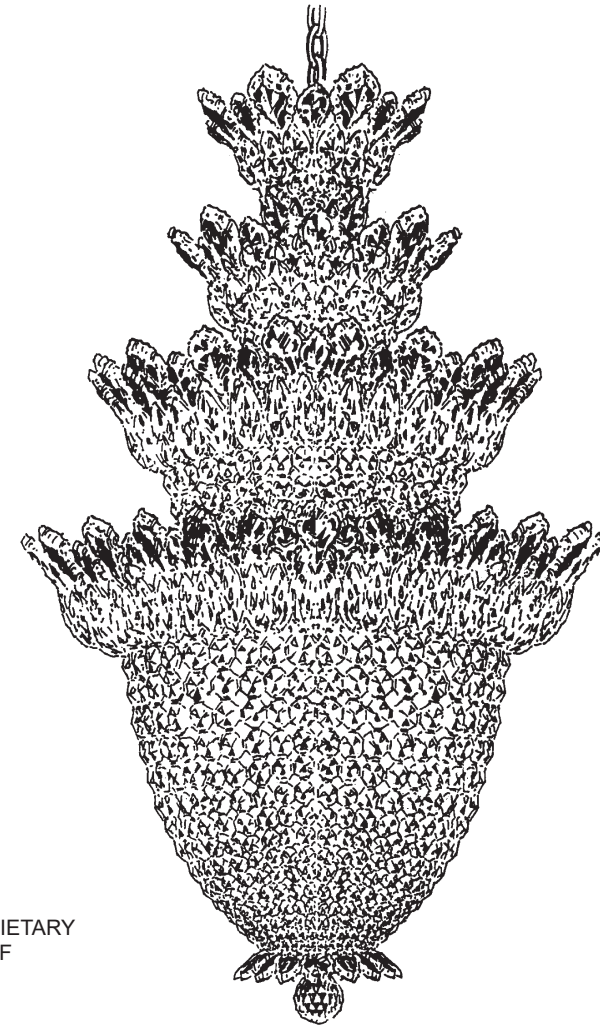
**14** Repeat Step #12 for ring #7.







# CHANDELIER 5848R TRIM DIAGRAM



THIS DESIGN IS THE PROPRIETARY TRADE DRESS/TRADEMARK OF W SCHONBEK LLC.

24 Lights  
Diameter: 24"  
Body Length: 38"



CAUTION... RISK OF ELECTRICAL SHOCK. Make sure the electrical supply to the chandelier is turned off at the main fuse or circuit breaker before doing any installation. All electrical components must be installed by a licensed electrician in accordance with the National Electric Code and the appropriate local electrical codes.

HANGING WEIGHT: 45 pounds.

BULBS: (24) Candle shaped candelabra base B10 bulbs, recommend 25 watts for best appearance.  
60 - Watts Maximum

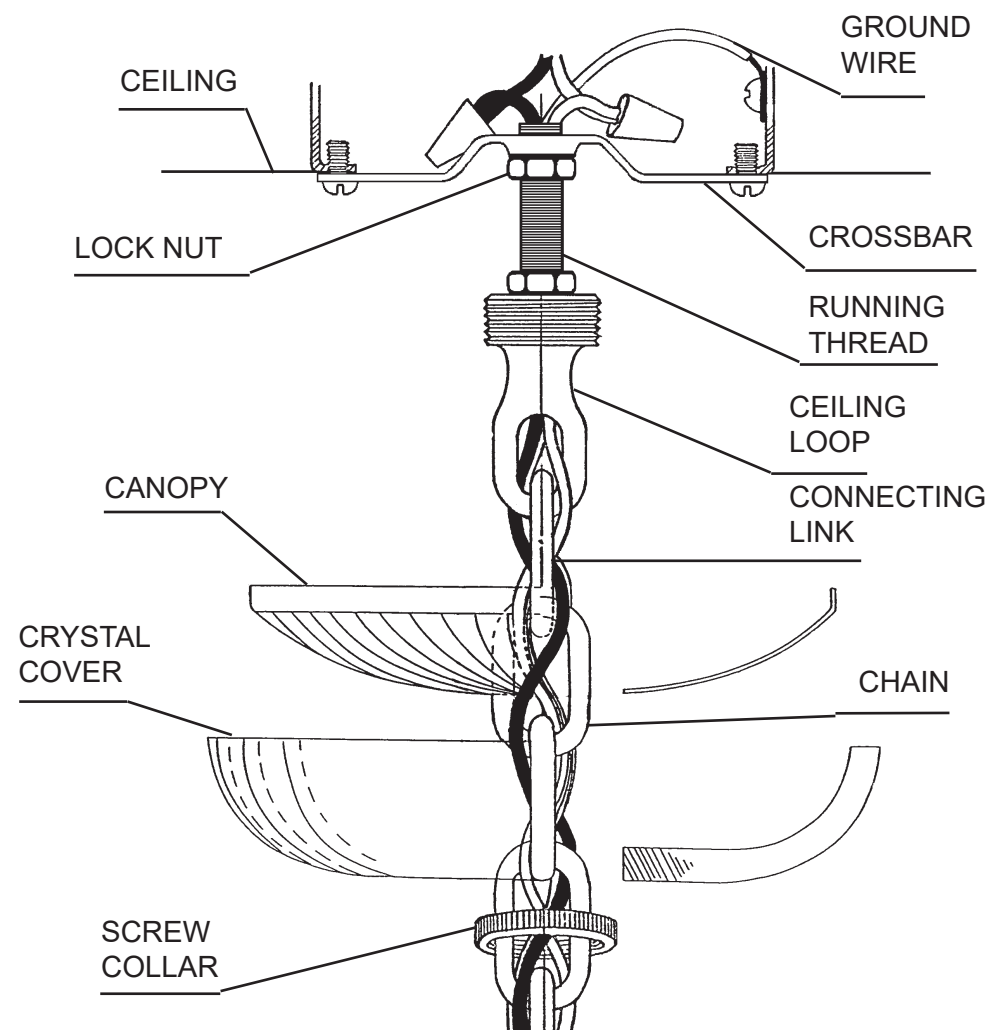
WARNING: This chandelier meets UL/CSA requirements. Any tampering will void UL/CSA certification.

**Follow steps in exact order  
Save this trim diagram for future reference**

### IMPORTANT

*Please record the following information for future service.*

CODE # \_\_\_\_\_ Four-digit number on outside of carton.  
PACKER # \_\_\_\_\_ See crystal package label.  
ORDER # \_\_\_\_\_ See crystal package label.



**1 MAKE SURE POWER IS DISCONNECTED!!**

**2** Attach crossbar to outlet box.

**3** Slip screw collar, crystal cover and metal canopy over chain and then determine at what length the fixture is to be suspended. Join the required length of fixture chain to connecting link on stem of fixture and loop attached to ceiling canopy at other end.

**4** Feed stem wires through chain, through loop at canopy end, and attach to power wires in outlet box. Fixture **MUST** be grounded.

**5** Check distance from ceiling to loop to assure canopy assembly will be flush against ceiling.

**6** Attach canopy to ceiling with screw collar, thereby retaining complete assembly against ceiling.  
Screw bulbs into all sockets. Test power to insure proper wiring before hanging trim from fixture.

## MAINTENANCE:

Use a soft, lint - free cloth to clean the metal frame.

**UNDER NO CIRCUMSTANCES SHOULD METAL POLISHES, CLEANERS, ABRASIVES OR AEROSOL SPRAYS BE USED.**

While the latest finishing techniques have been used on the metal frame, such finish cannot be unconditionally guaranteed. The main cause of deterioration, apart from certain atmospheric conditions, is improper cleaning.

To clean the crystals, polish with a damp chamois.

You are cleaning delicate jewelry... Take the greatest care.

## IMPORTANT:

Do not clean crystals in a dishwasher. The finish of the metal clips and hangers will be ruined and the crystals may be damaged.

### Installation of Crystal "F" and "J"

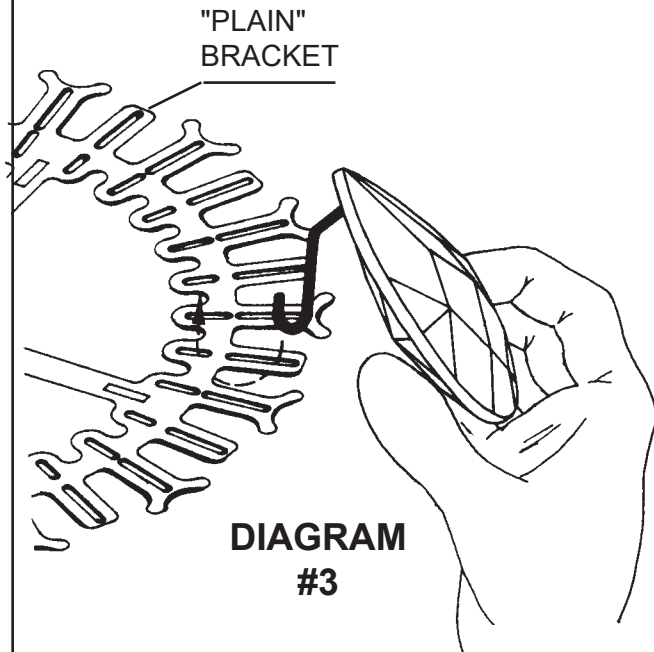


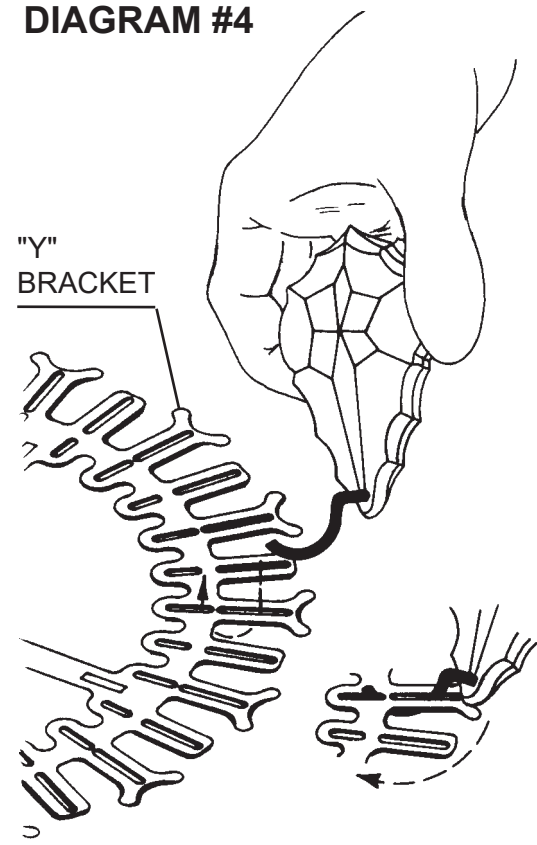
DIAGRAM  
#3

Position the crystal above the "plain" bracket so that the end of the hook enters the slot, gently push toward the center of the fixture and raise the crystal making sure that the end of the hook comes up through the inner slot, in line with the outer slot.

With the hook in the bracket, as shown, pivot the crystal downwards so that the hook rests in the end of the outer slot.



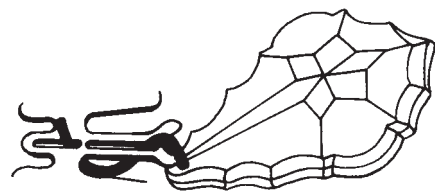
DIAGRAM #4



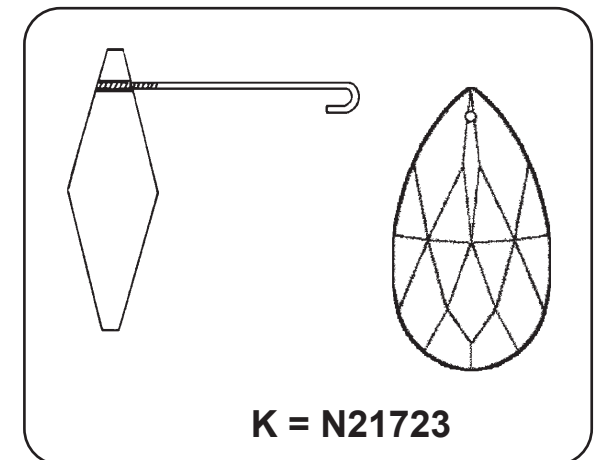
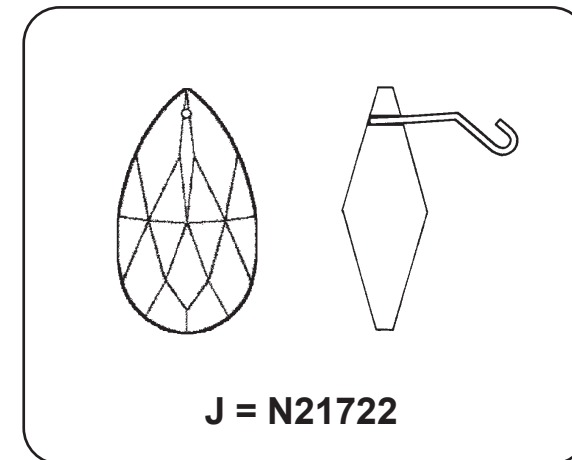
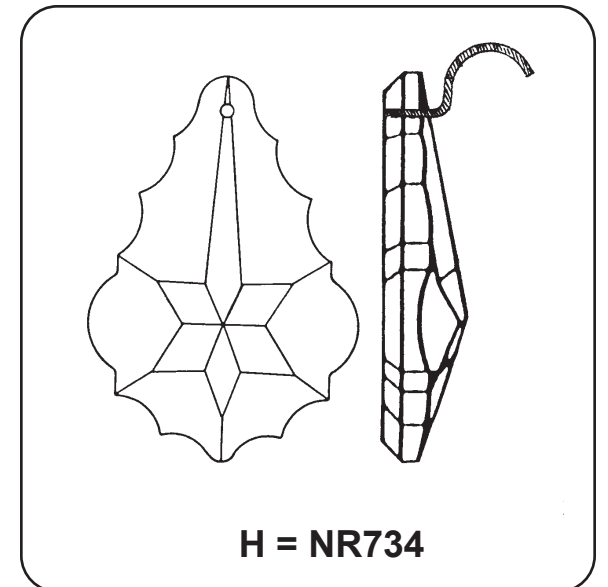
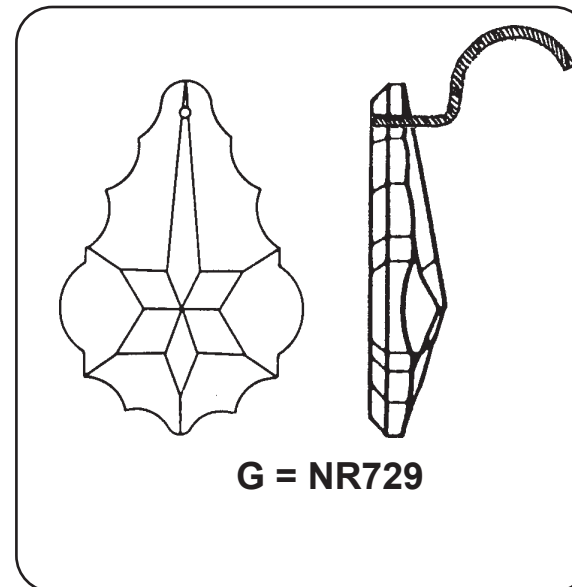
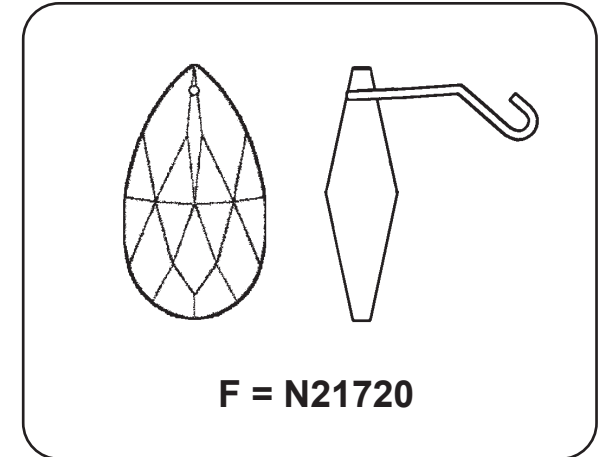
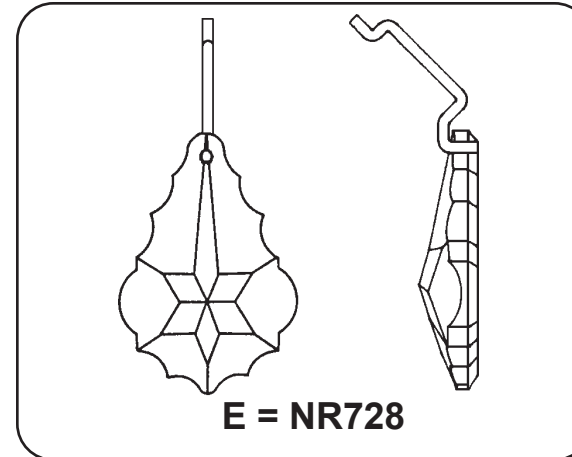
### Installation of Crystal "G" and "H"

Position the crystal above the "Y" bracket so that the end of the hook enters the long slot, gently push toward the center of the fixture and raise the crystal making sure that the end of the hook comes up through the short slot, in line with the long slot.

With the hook in the bracket, as shown, pivot the crystal downwards so that the hook rests in the end of the long slot.



## TRIM ID SHEET FOR ORDERING SPARE PARTS. PLEASE SAVE FOR CLEANING FIXTURE!



**7** Hook Crystal Chain "A" into ring #2 and hook the bottom of the crystal chain into the washer. Close bottom hook after inserting into washer.  
 Hook Crystal Chain "B" into ring #4 and hook the bottom of the crystal chain into the washer. Close bottom hook after inserting into washer.  
 Hook Crystal Chain "C" into ring #6 and hook the bottom of the crystal chain into the washer. Close bottom hook after inserting into washer.

**8** Hook Crystal Chain "D" into ring #8. NOTE: Allow the bottom of Crystal Chain "D" to hang loose.

**9** Hook Crystal "E" into the washer. (See diagram #1 for detailed instructions.)  
 Hook the bottom of Chains "D" into the lexan washer. Close bottom hook after inserting into washer.

**10** Hook Crystal "F" into the "plain" bracket of ring #1. (See diagram #3 on page 6 for detailed instructions.)  
 Hook small Crystal "G" into every second "Y" bracket on ring #1. (See diagram #4 on page 6 for detailed instructions.)  
 Hook large Crystal "H" into the remaining "Y" brackets on ring #1. (See diagram #4 on page 6 for detailed instructions.)

**11** Hook Crystal "J" into the "plain" bracket of ring #3. (See diagram #3 on page 6 for detailed instructions.)  
 Hook Crystal "G" into every second "Y" bracket of ring #3. (See diagram #4 on page 6 for detailed instructions.)  
 Hook Crystal "H" into the remaining "Y" brackets on ring #3. (See diagram #4 on page 6 for detailed instructions.)

**12** Repeat Step #11 for ring #5.

**13** Hook Crystal "K" into the back slot of the "Y" brackets on the lower ring. (See diagram #2 for detailed instructions.)

**14** Repeat Step #12 for ring #7.

