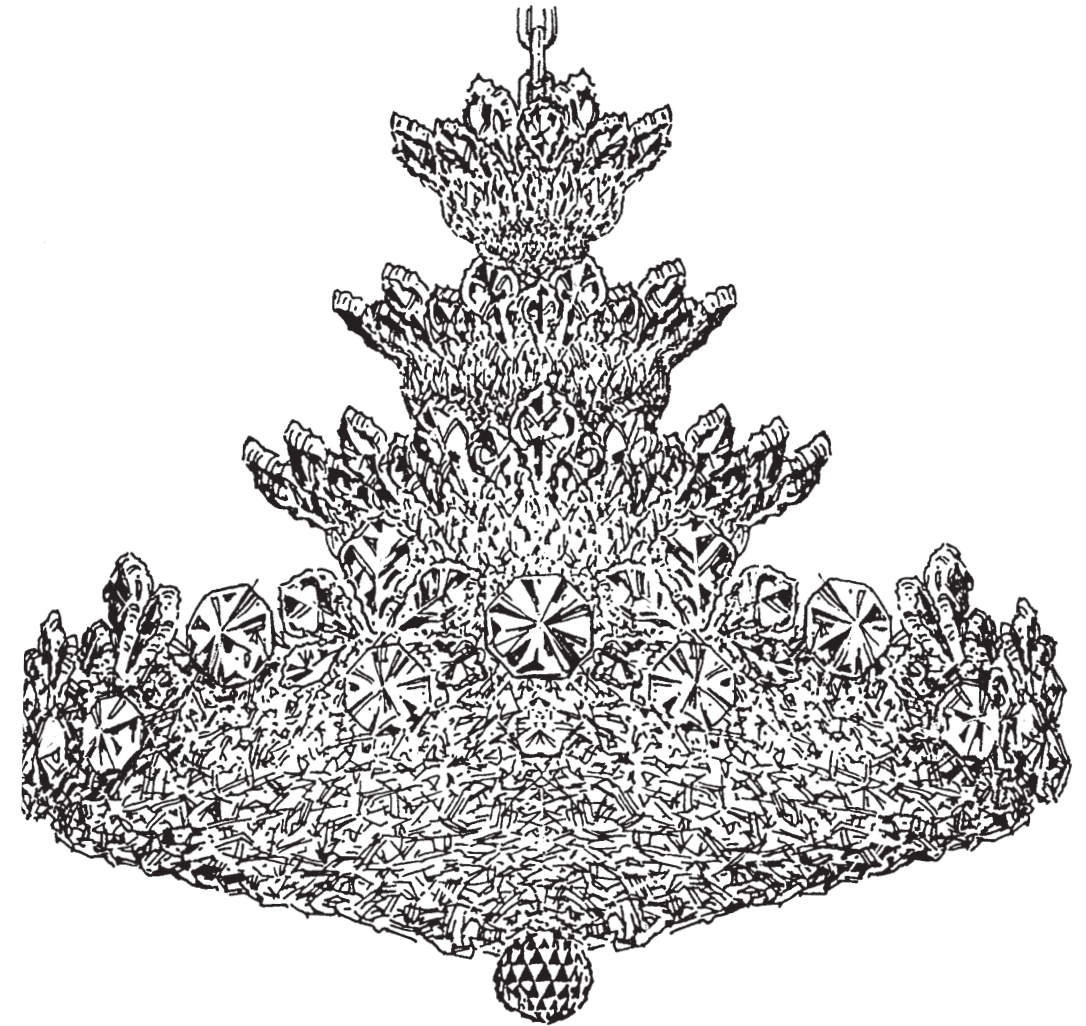


TRILLIANE 5858- __ _ H













THIS DESIGN IS THE PROPRIETARY TRADE DRESS/TRADEMARK OF W SCHONBEK LLC.

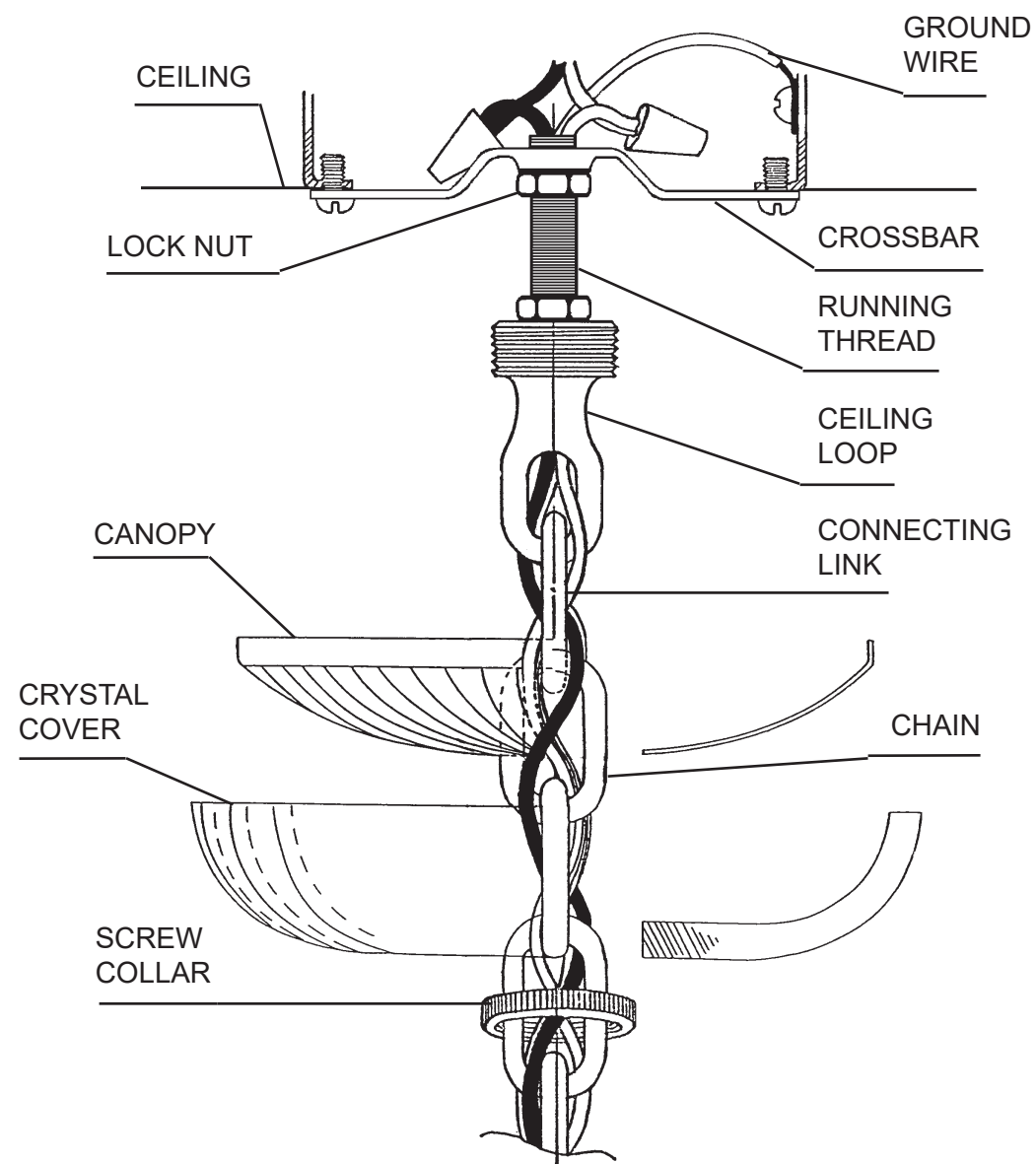
24 Lights
Diameter: 24"
Body Length: 24"
Hanging Weight: 47 lbs.

 **SCHONBEK** | 1870

 **SCHONBEK** | 1870

								
MAX 60 W	110-120 V							

All electrical components must be installed by a licensed electrician in accordance with the National Electric Code and the appropriate local electrical codes.



1 MAKE SURE POWER IS DISCONNECTED!!

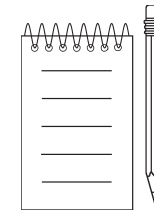
2 Attach crossbar to outlet box.

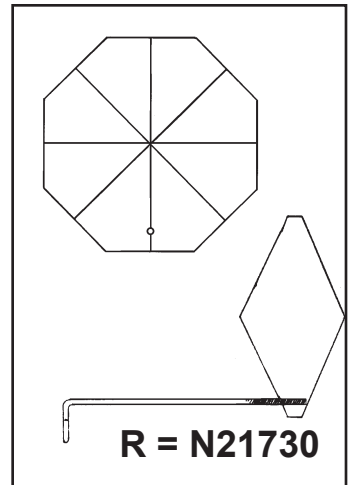
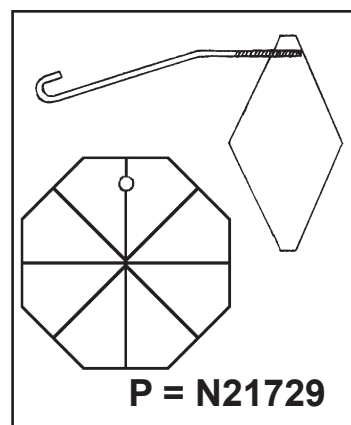
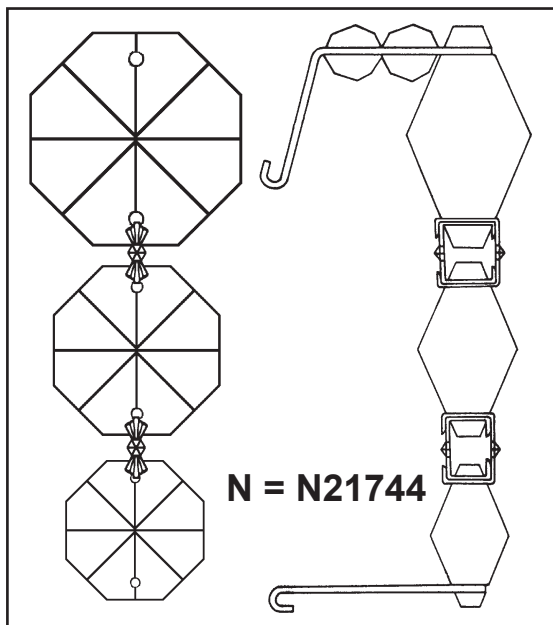
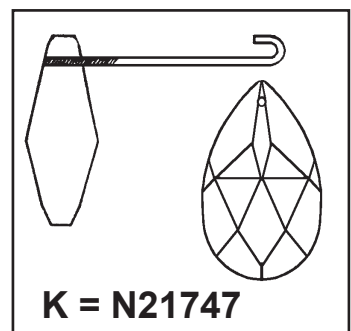
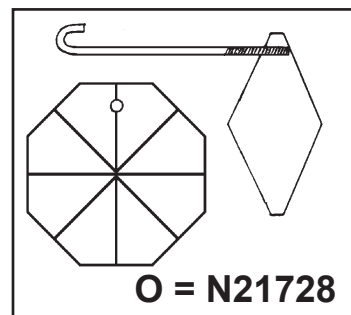
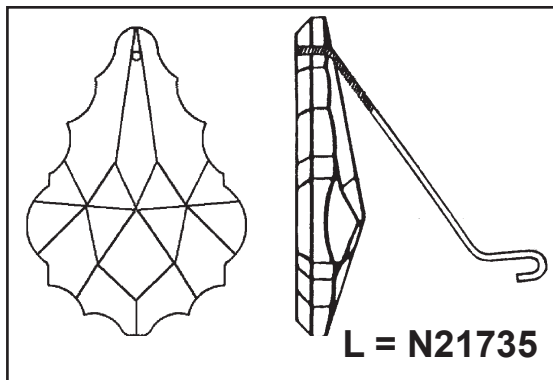
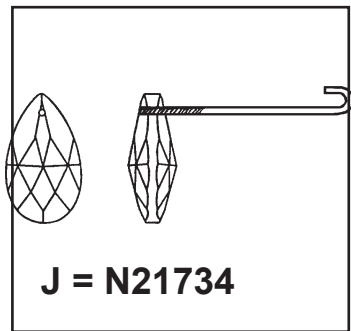
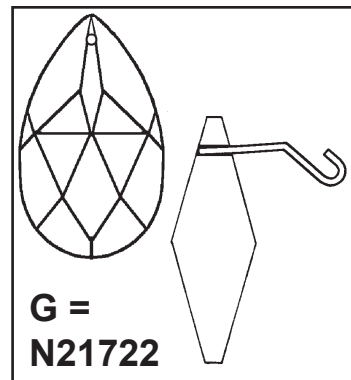
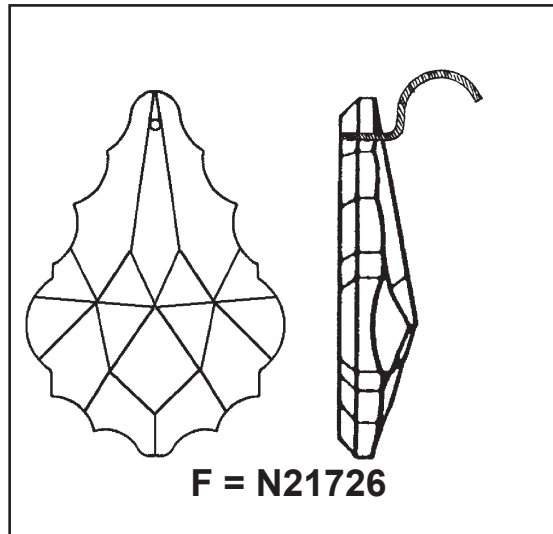
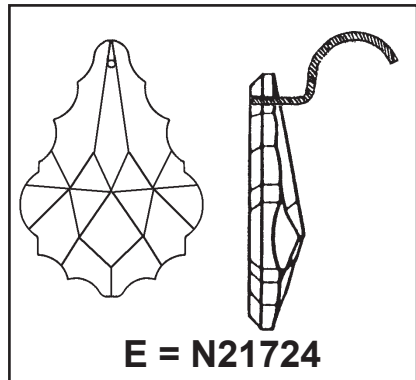
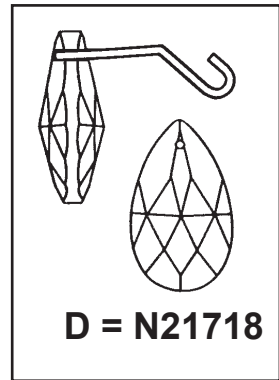
3 Slip screw collar, crystal cover and metal canopy over chain and then determine at what length the fixture is to be suspended. Join the required length of fixture chain to connecting link on stem of fixture and loop attached to ceiling canopy at other end.

4 Feed stem wires through chain, through loop at canopy end, and attach to power wires in outlet box. Fixture **MUST** be grounded.

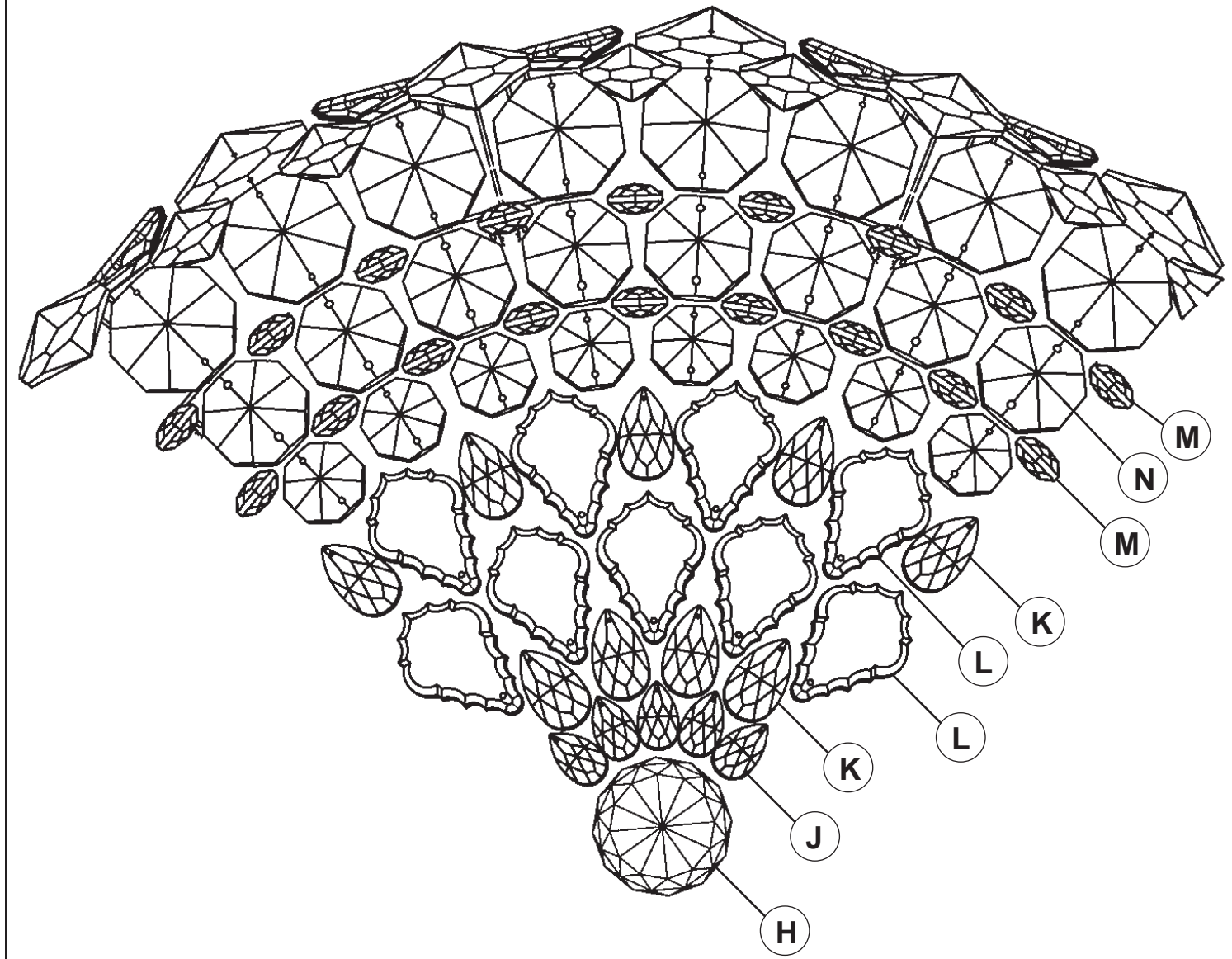
5 Check distance from ceiling to loop to assure canopy assembly will be flush against ceiling.

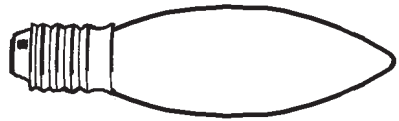
6 Attach canopy to ceiling with screw collar, thereby retaining complete assembly against ceiling. Screw bulbs into all sockets. Test power to insure proper wiring before hanging trim from fixture.





CRYSTAL BASKET DETAIL

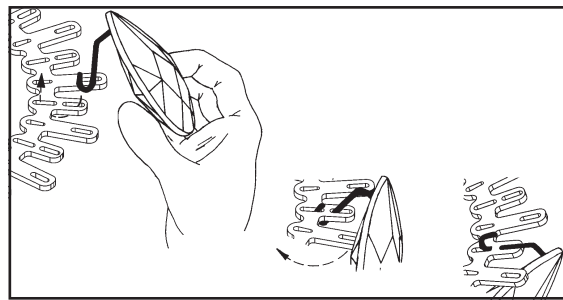




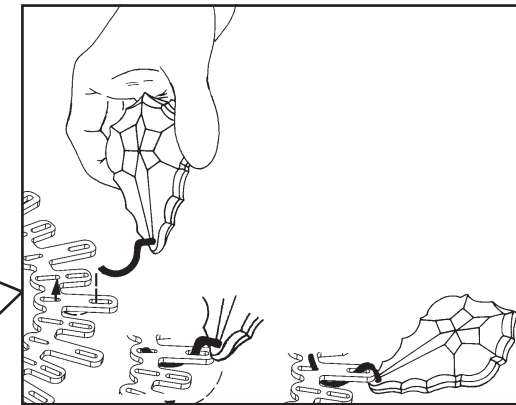
7

You will need 24 - B10
25 Watts Recommended
60 Watts Max

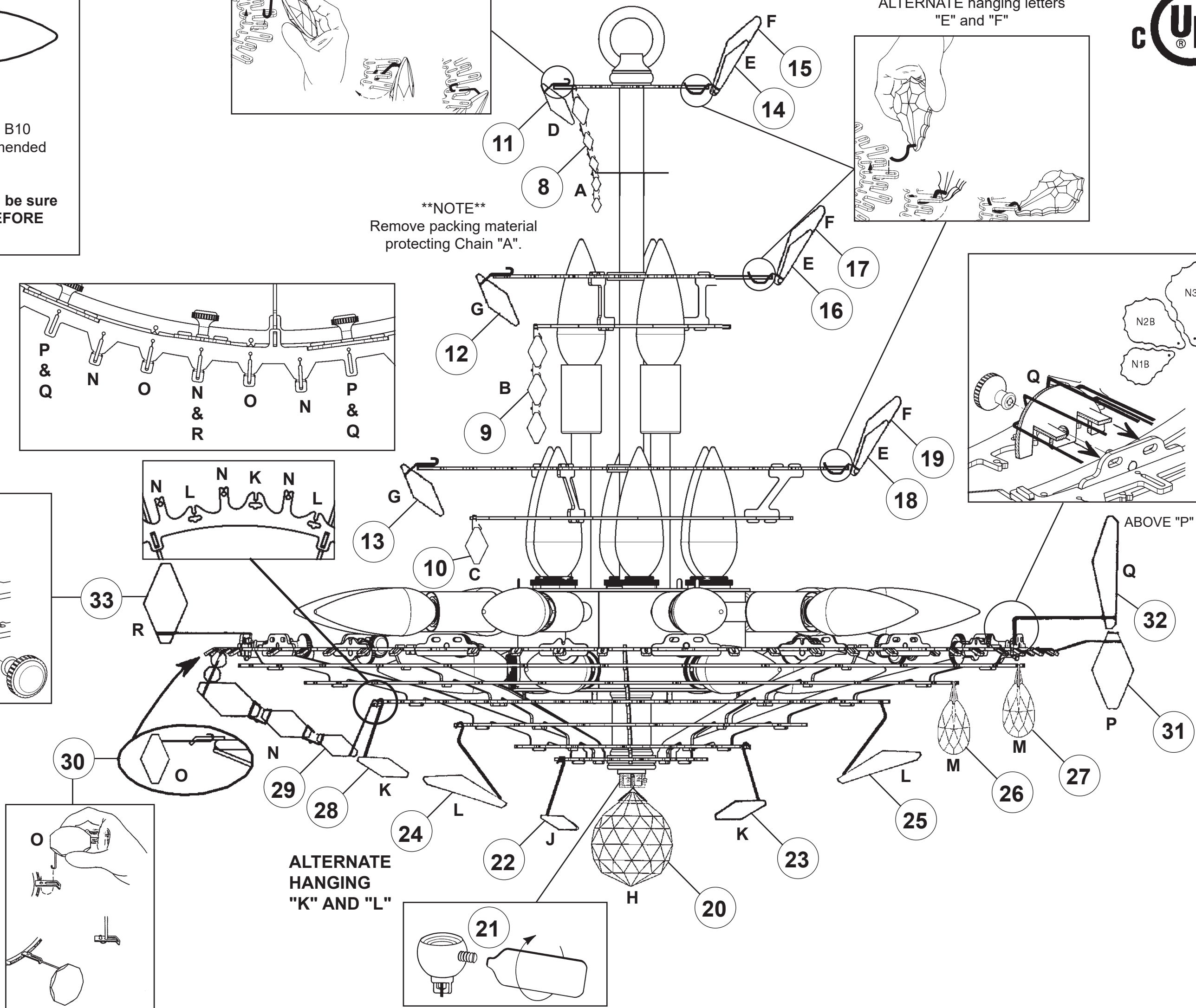
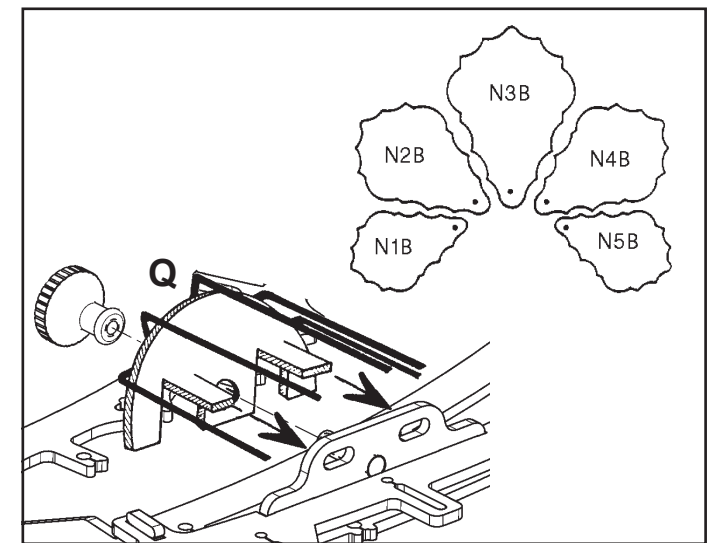
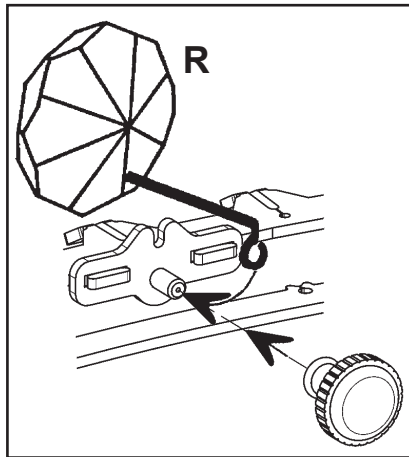
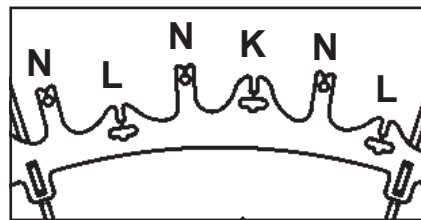
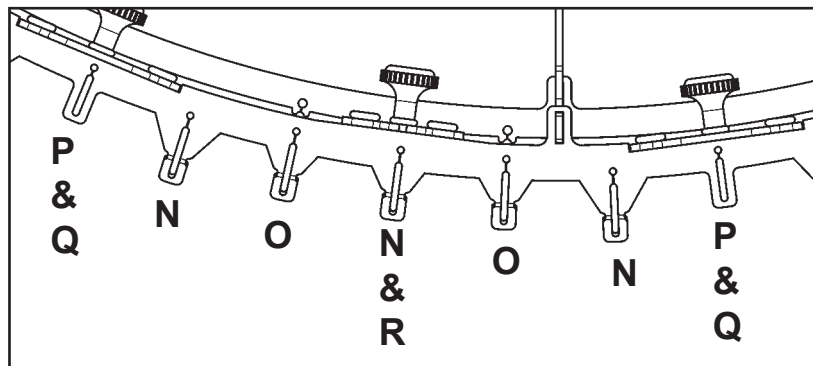
Install bulbs and be sure
to test fixture BEFORE
trimming.



ALTERNATE hanging letters
"E" and "F"

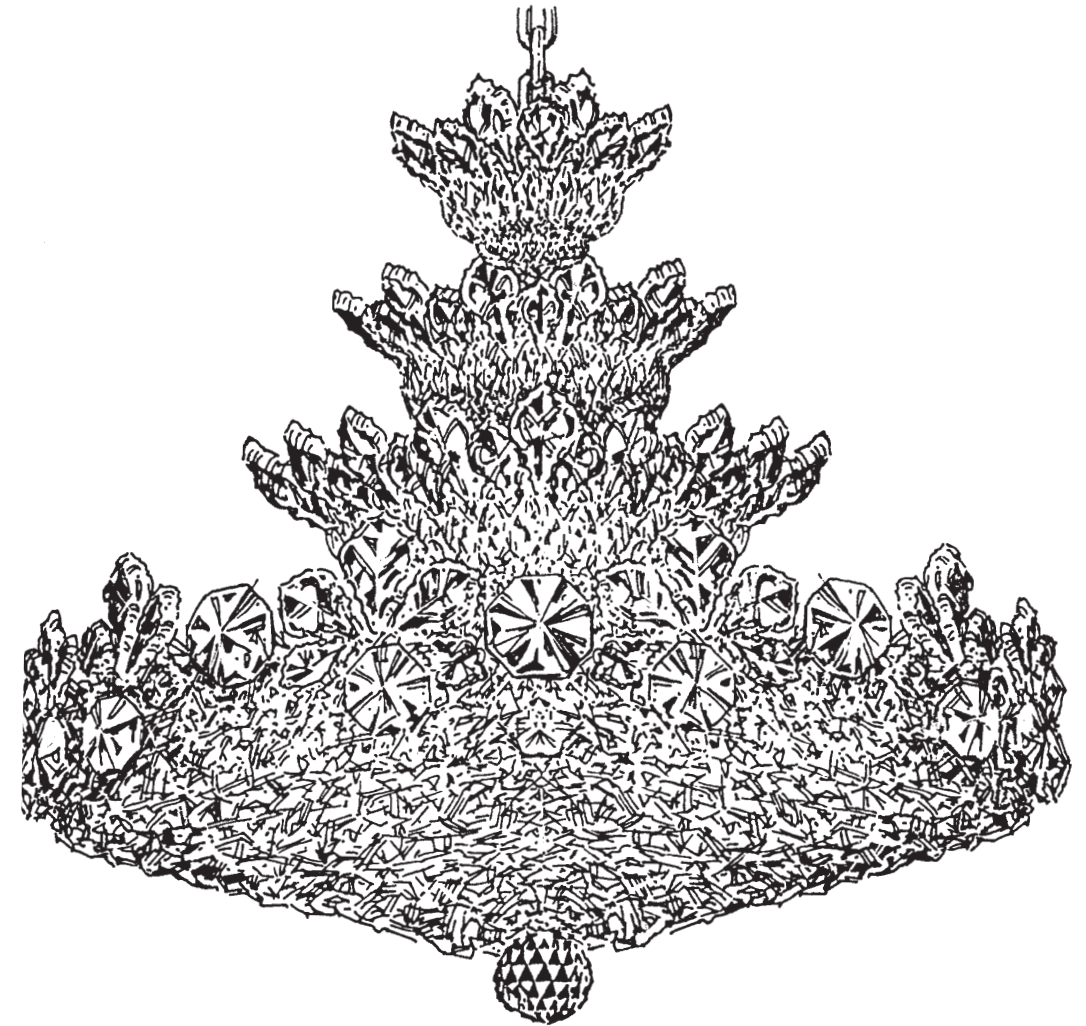


****NOTE****
Remove packing material
protecting Chain "A".



ALTERNATE
HANGING
"K" AND "L"

TRILLIANE 5858- __ __ R













24 Lights
Diameter: 24"
Body Length: 24"
Hanging Weight: 47 lbs.

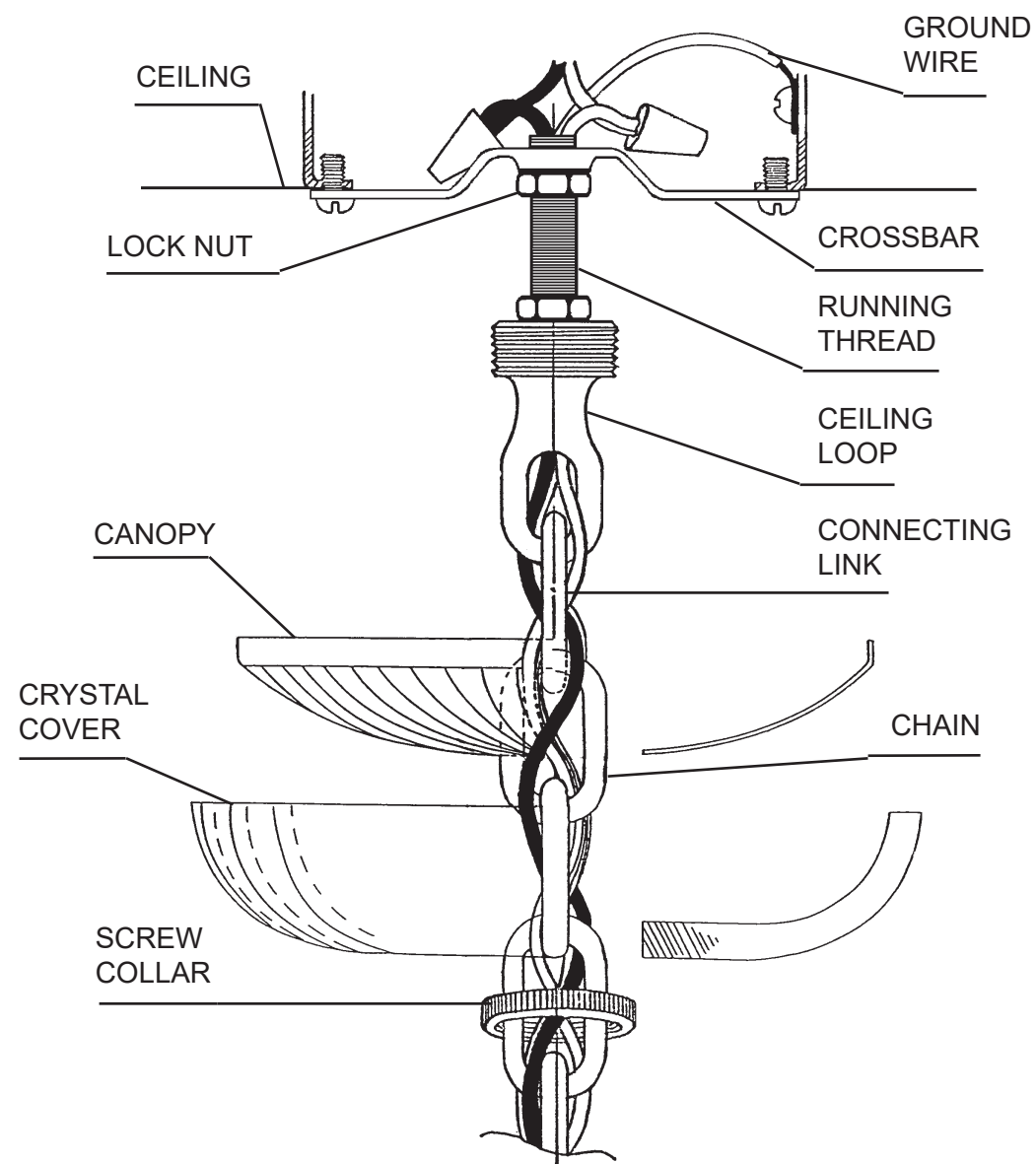
THIS DESIGN IS THE PROPRIETARY
TRADE DRESS/TRADEMARK OF
W SCHONBEK LLC.

 **SCHONBEK** | 1870

 **SCHONBEK** | 1870

								
MAX 60 W	110-120 V							

All electrical components must be installed by a licensed electrician in accordance with the National Electric Code and the appropriate local electrical codes.



1 MAKE SURE POWER IS DISCONNECTED!!

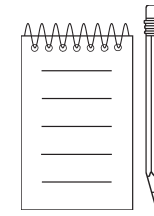
2 Attach crossbar to outlet box.

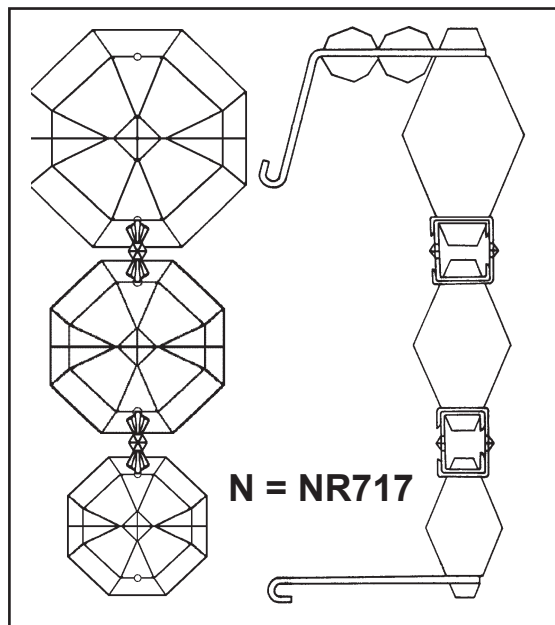
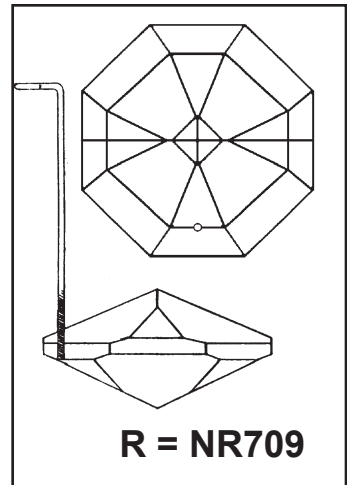
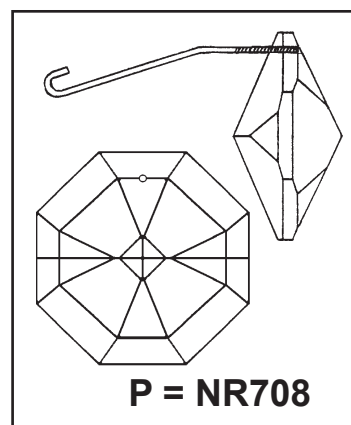
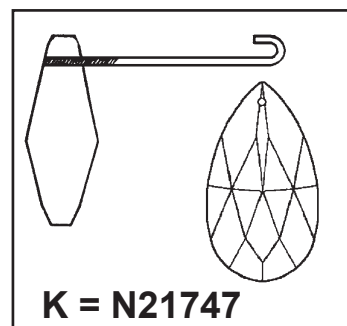
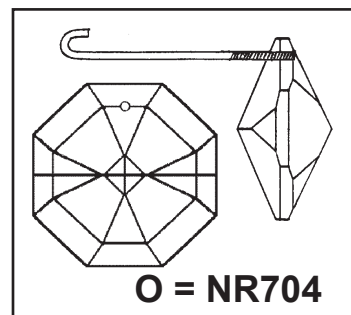
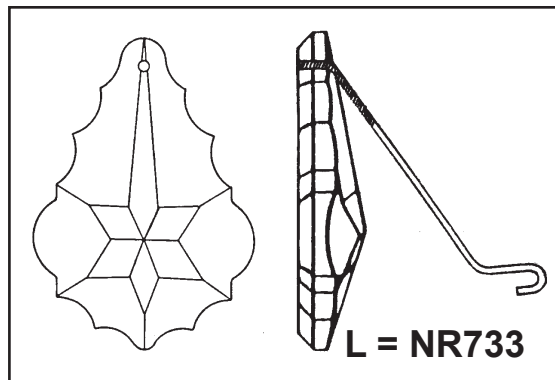
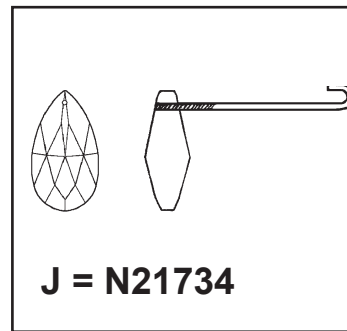
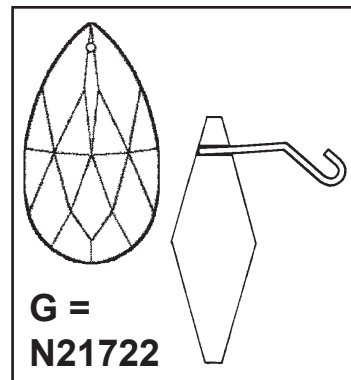
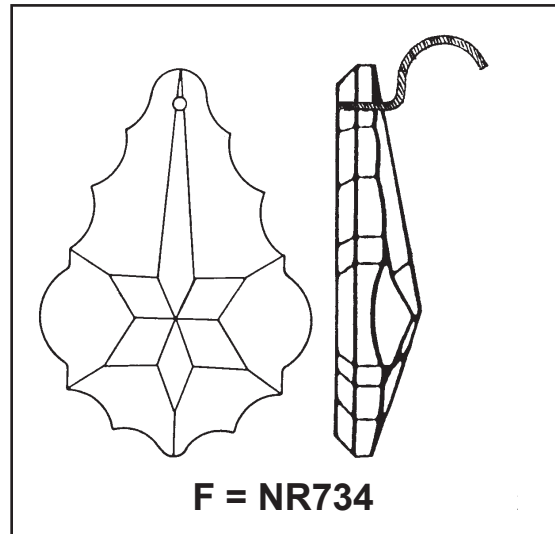
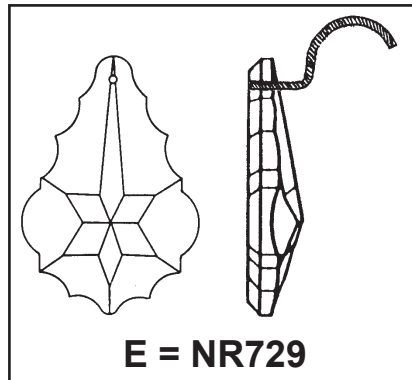
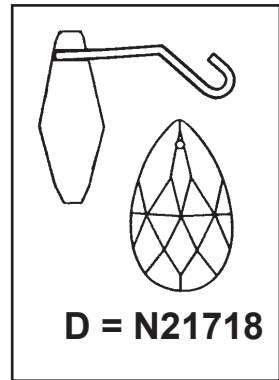
3 Slip screw collar, crystal cover and metal canopy over chain and then determine at what length the fixture is to be suspended. Join the required length of fixture chain to connecting link on stem of fixture and loop attached to ceiling canopy at other end.

4 Feed stem wires through chain, through loop at canopy end, and attach to power wires in outlet box. Fixture **MUST** be grounded.

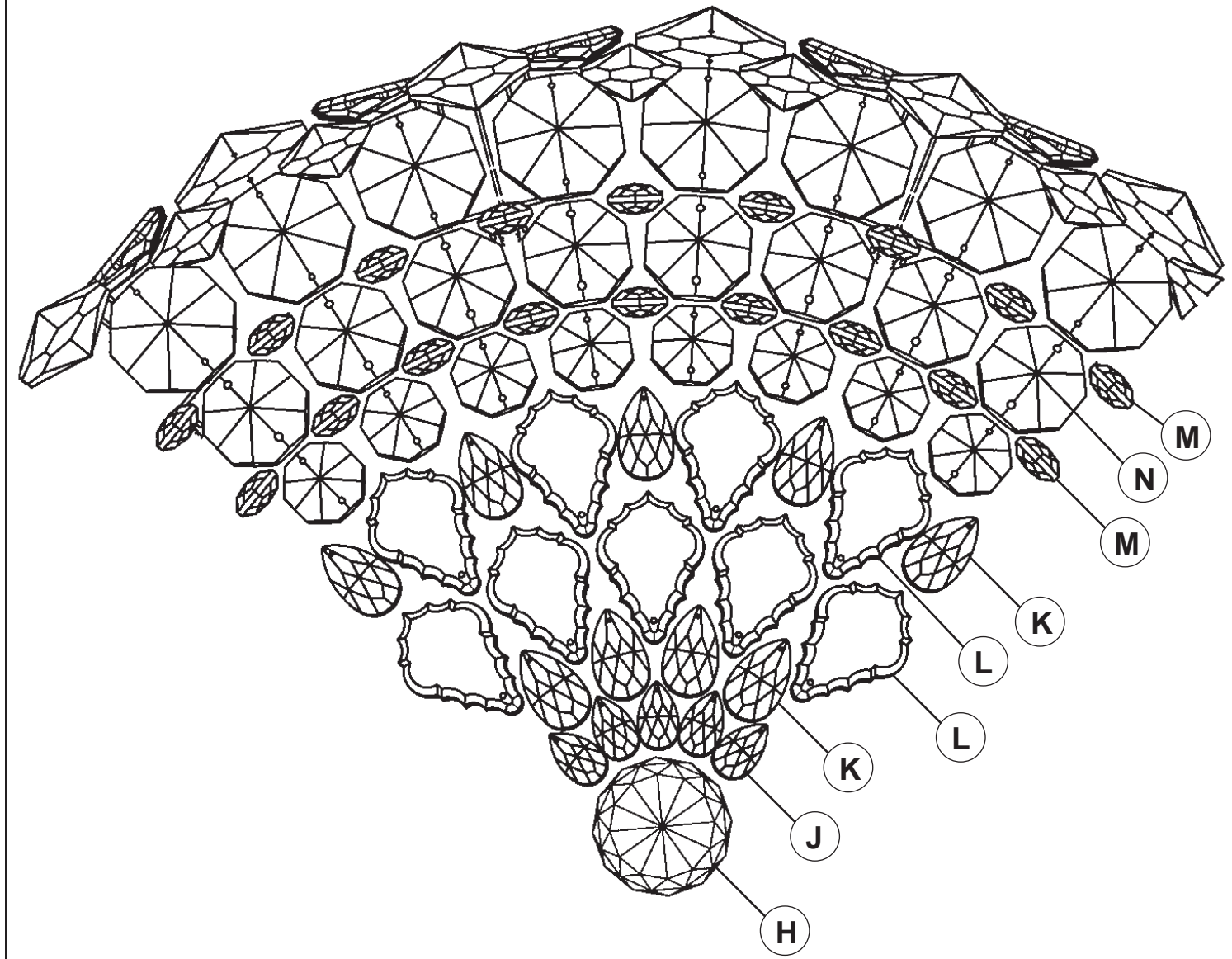
5 Check distance from ceiling to loop to assure canopy assembly will be flush against ceiling.

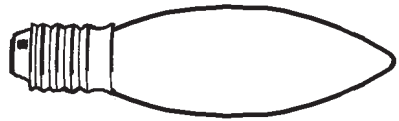
6 Attach canopy to ceiling with screw collar, thereby retaining complete assembly against ceiling. Screw bulbs into all sockets. Test power to insure proper wiring before hanging trim from fixture.





CRYSTAL BASKET DETAIL

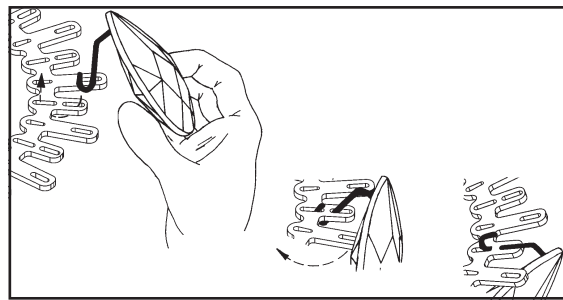




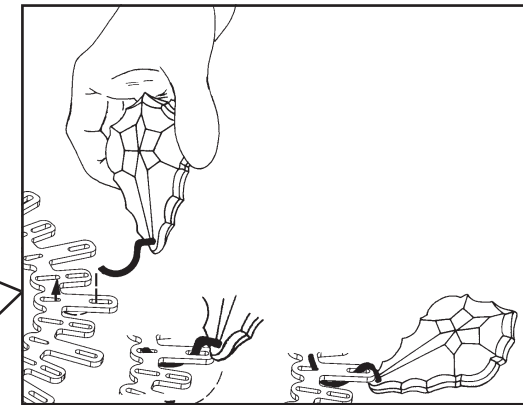
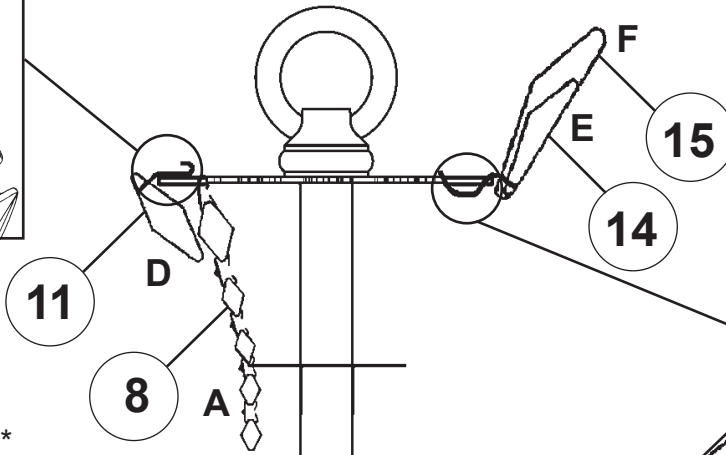
7

You will need 24 - B10
25 Watts Recommended
60 Watts Max

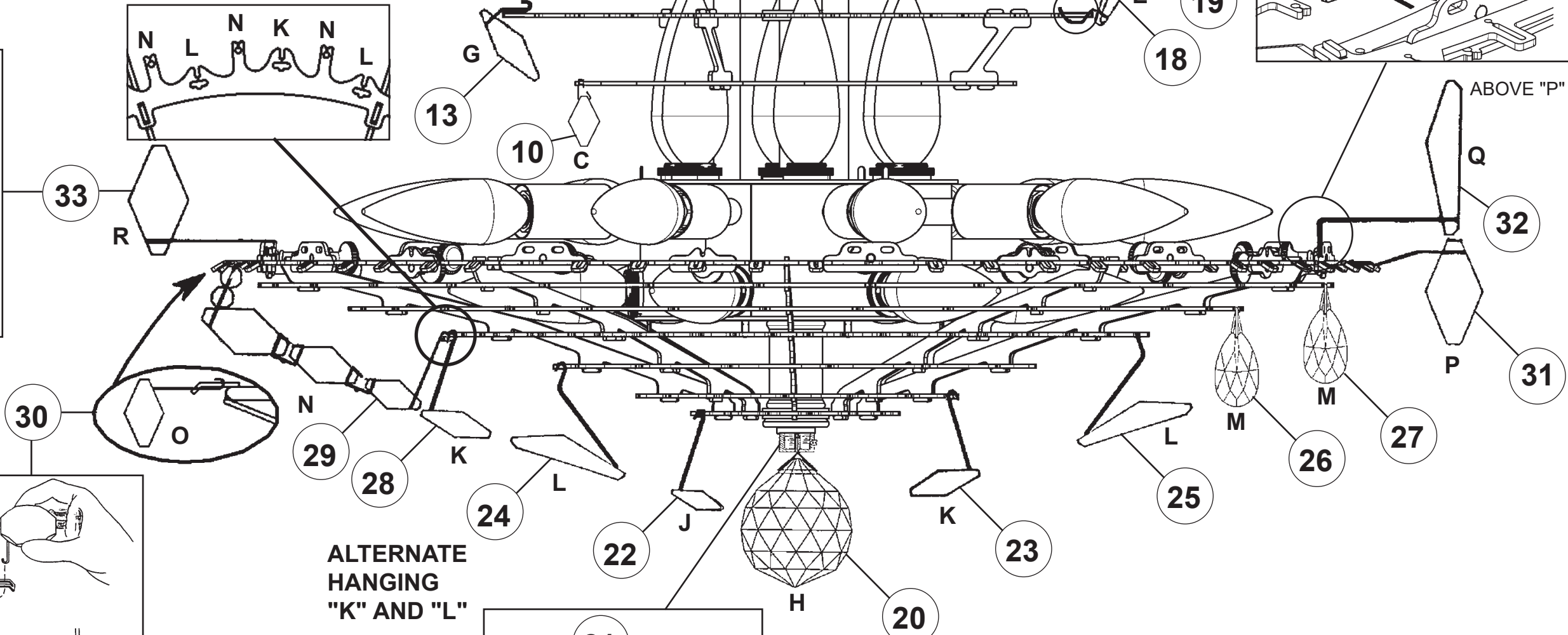
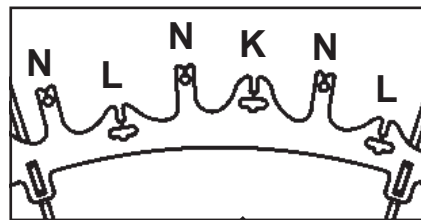
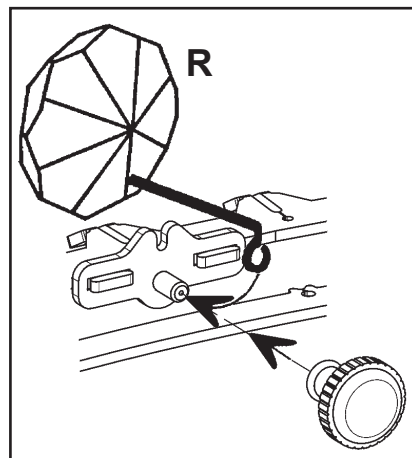
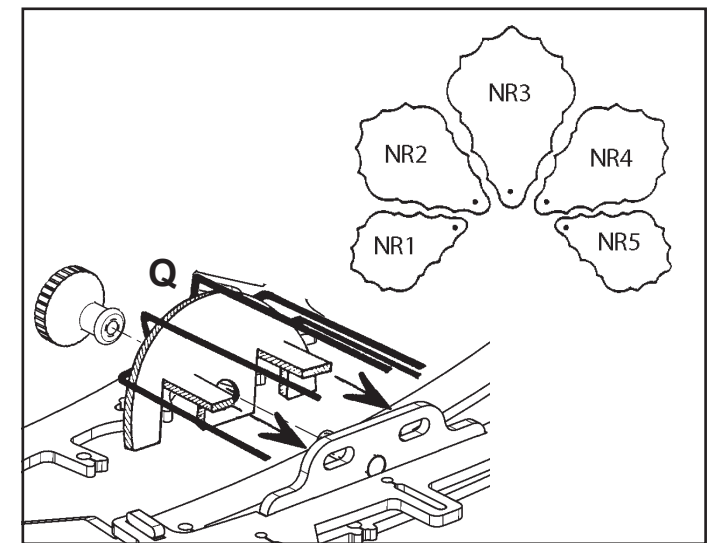
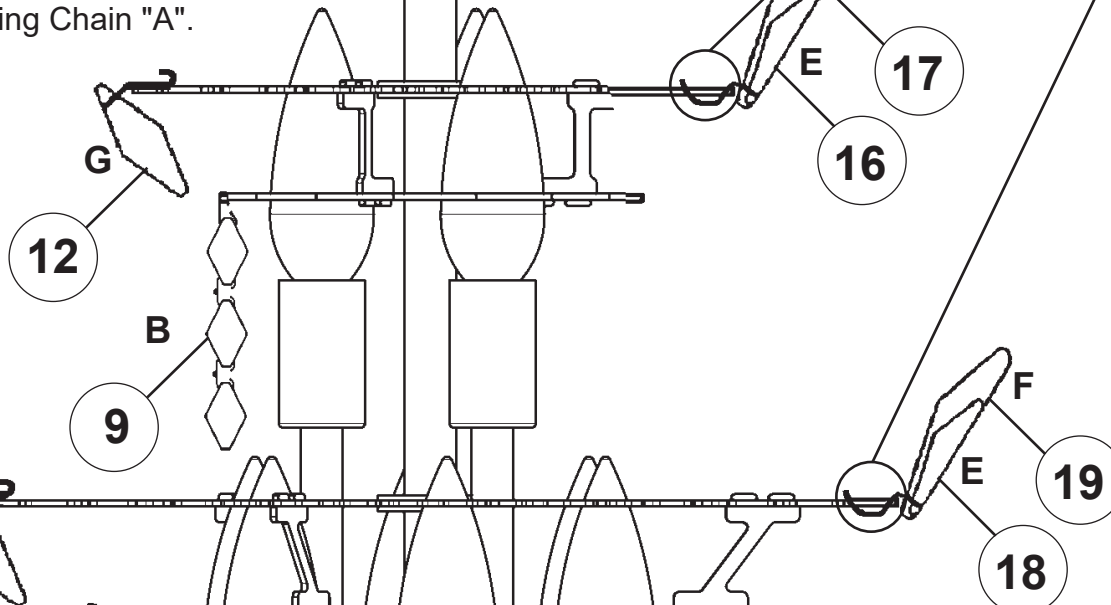
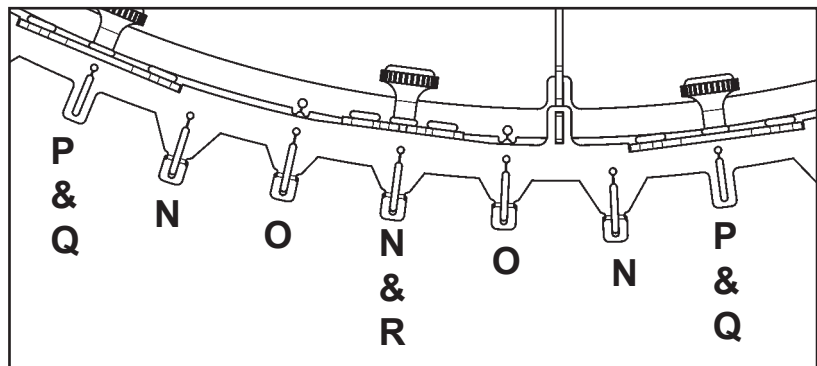
Install bulbs and be sure
to test fixture BEFORE
trimming.



ALTERNATE hanging letters
"E" and "F"



****NOTE****
Remove packing material
protecting Chain "A".



ALTERNATE
HANGING
"K" AND "L"

