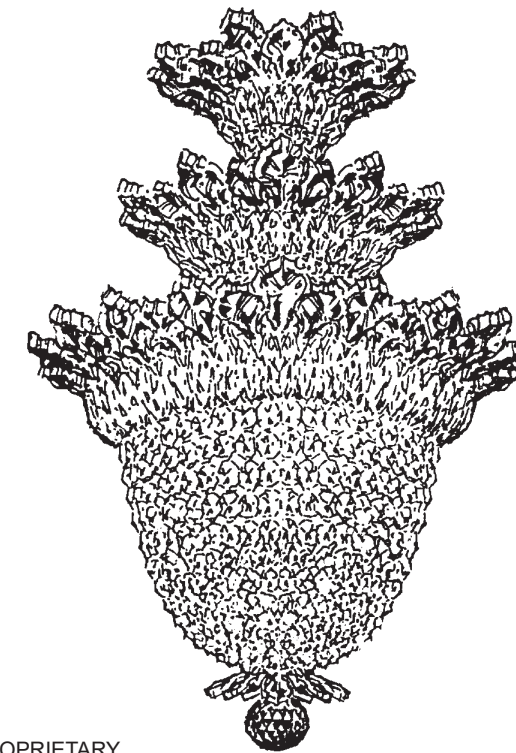




CHANDELIER 5888H TRIM DIAGRAM



THIS DESIGN IS THE PROPRIETARY TRADE DRESS/TRADEMARK OF W SCHONBEK LLC.

4 Lights
Diameter: 12-1/2"
Body Length: 19"
Extension: 6-1/2"



SCHONBEK | 1870

CAUTION... RISK OF ELECTRICAL SHOCK. Make sure the electrical supply to the chandelier is turned off at the main fuse or circuit breaker before doing any installation. All electrical components must be installed by a licensed electrician in accordance with the National Electric Code and the appropriate local electrical codes.

HANGING WEIGHT: 10 pounds.

BULBS: (2) Candle shaped candelabra base B10 bulbs, recommend 25 watts for best appearance.
(2) Globe shaped candelabra base G16-1/2 bulbs, recommend 25 watts for best appearance.
40 - Watts Maximum

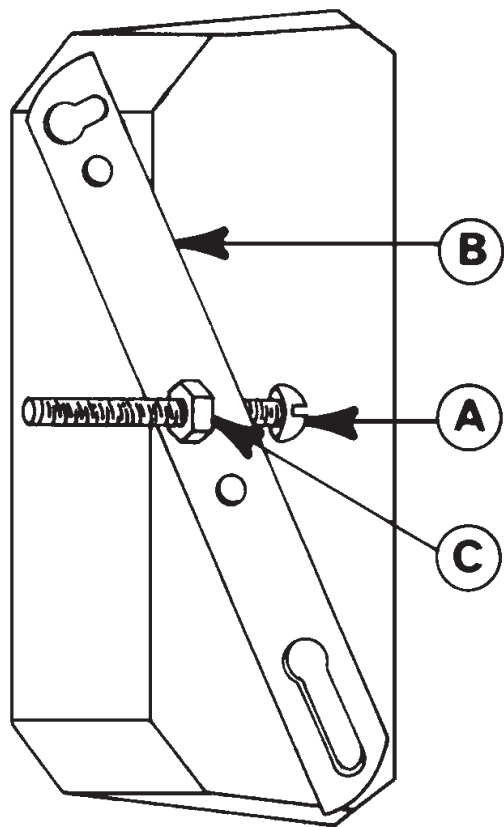
WARNING: This chandelier meets UL/CSA requirements. Any tampering will void UL/CSA certification.

Follow steps in exact order
Save this trim diagram for future reference

IMPORTANT

Please record the following information for future service.

CODE # _____ Four-digit number on outside of carton.
PACKER # _____ See crystal package label.
ORDER # _____ See crystal package label.



- 1 MAKE SURE THAT POWER TO THE OUTLET BOX IS DISCONNECTED!!**
- 2** Thread long screw "A" through crossbar "B" and attach crossbar to outlet box using 2 screws round head 8-32 x 1" (not supplied with wall bracket.)
- 3** Test fit wall bracket by guiding it over screw "A". Adjust screw "A" so that it extends approximately 1/4" through wall bracket. Remove wall bracket. Thread nut "C" onto screw and tighten it against crossbar. (NOTE: In some installations, due to space, nut "C" might have to go on the other side of the crossbar.)
- 4** Connect the wires of the wall bracket to the power wires of the outlet box, guide wall bracket over screw "A" and secure with threaded half ball supplied.
- 5** Make sure wall bracket is level. Upper portion of wall bracket must be secured to the wall. Screw mounting screw through hole near ring #1 and by bottom finial until mirror touches wall. NOTE: Fixture MUST be grounded.
- 6** Screw bulbs into all sockets(s). Test power to insure proper wiring before hanging trim from fixture.

MAINTENANCE:

Use a soft, lint - free cloth to clean the metal frame.

UNDER NO CIRCUMSTANCES SHOULD METAL POLISHES, CLEANERS, ABRASIVES OR AEROSOL SPRAYS BE USED.

While the latest finishing techniques have been used on the metal frame, such finish cannot be unconditionally guaranteed. The main cause of deterioration, apart from certain atmospheric conditions, is improper cleaning.

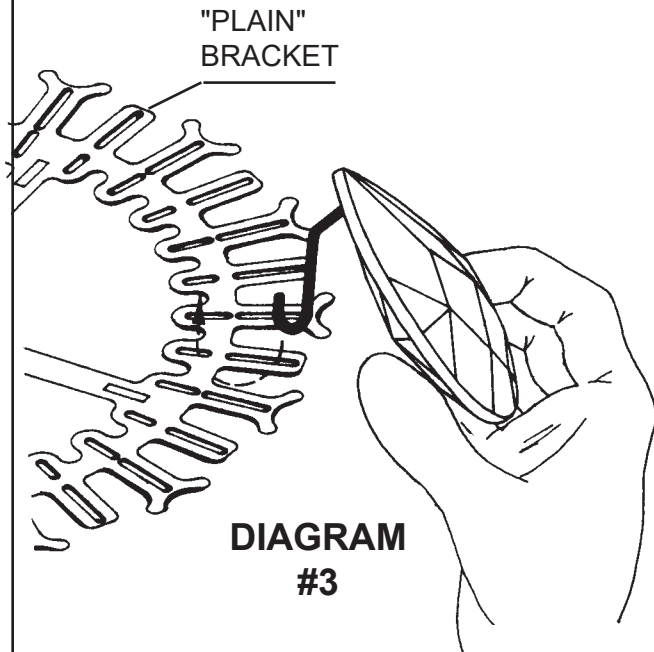
To clean the crystals, polish with a damp chamois.

You are cleaning delicate jewelry... Take the greatest care.

IMPORTANT:

Do not clean crystals in a dishwasher. The finish of the metal clips and hangers will be ruined and the crystals may be damaged.

Installation of Crystal "F" and "G"

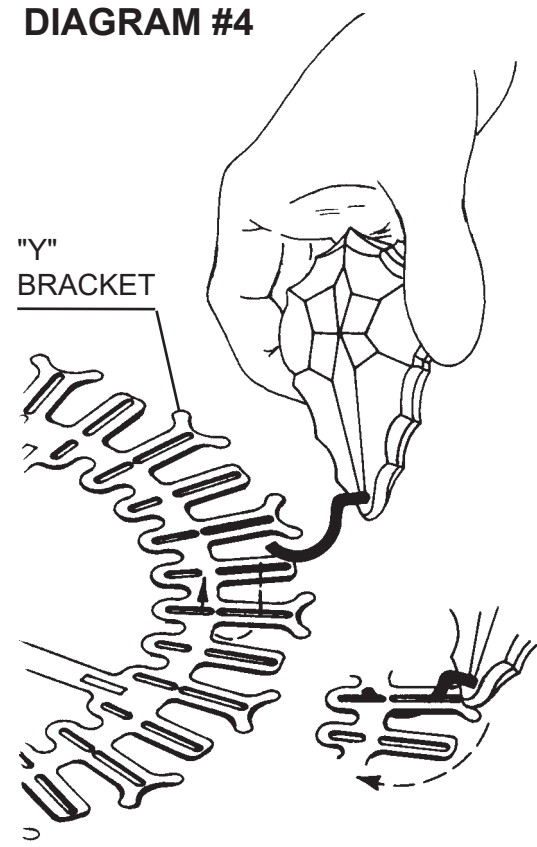


Position the crystal above the "plain" bracket so that the end of the hook enters the slot, gently push toward the center of the fixture and raise the crystal making sure that the end of the hook comes up through the inner slot, in line with the outer slot.

With the hook in the bracket, as shown, pivot the crystal downwards so that the hook rests in the end of the outer slot.



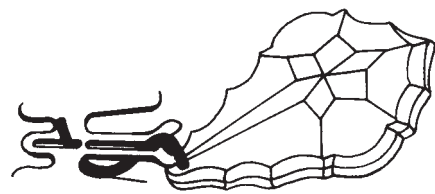
DIAGRAM #4



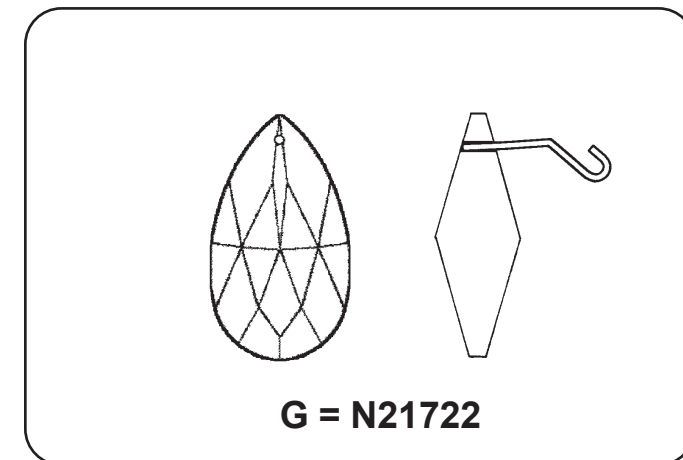
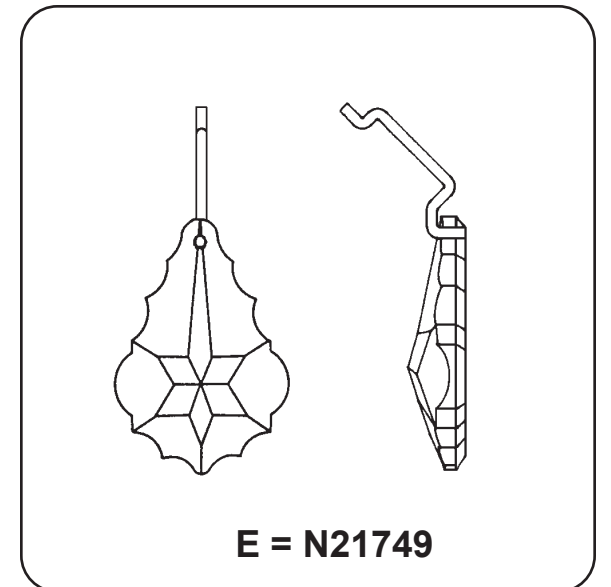
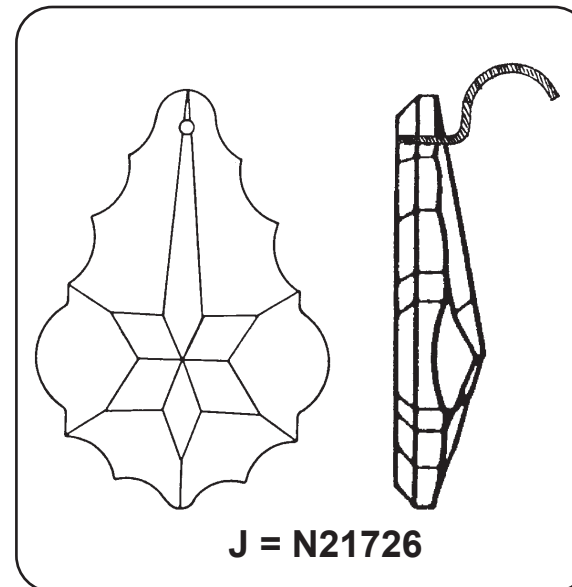
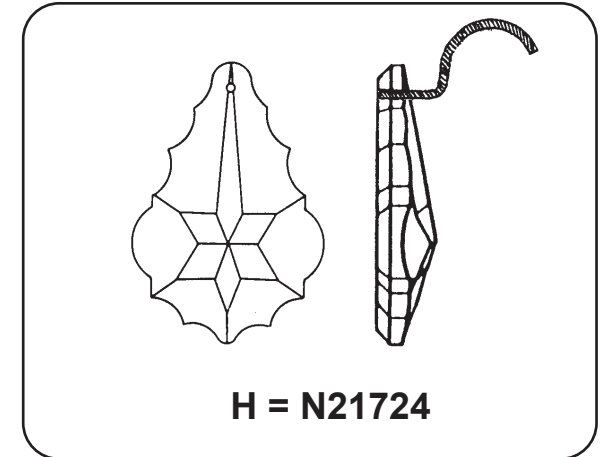
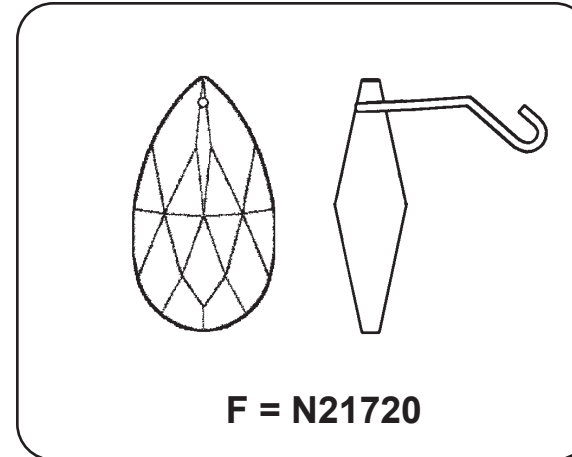
Installation of Crystal "H" and "J"

Position the crystal above the "Y" bracket so that the end of the hook enters the long slot, gently push toward the center of the fixture and raise the crystal making sure that the end of the hook comes up through the short slot, in line with the long slot.

With the hook in the bracket, as shown, pivot the crystal downwards so that the hook rests in the end of the long slot.



TRIM ID SHEET FOR ORDERING SPARE PARTS. PLEASE SAVE FOR CLEANING FIXTURE!



7 Hook Crystal Chain "A" into ring #2.
 Hook Crystal Chain "B" into ring #4.
 Hook Crystal Chain "C" (large crystal at top) into ring #6, let
 Chains "C" hang straight down (until Step #10).

8 Screw Crystal Ball "D" into the bottom of the frame.
 Hang Crystal "E" into every hole/slot on ring #7. See diagram #2
 for detailed instructions.

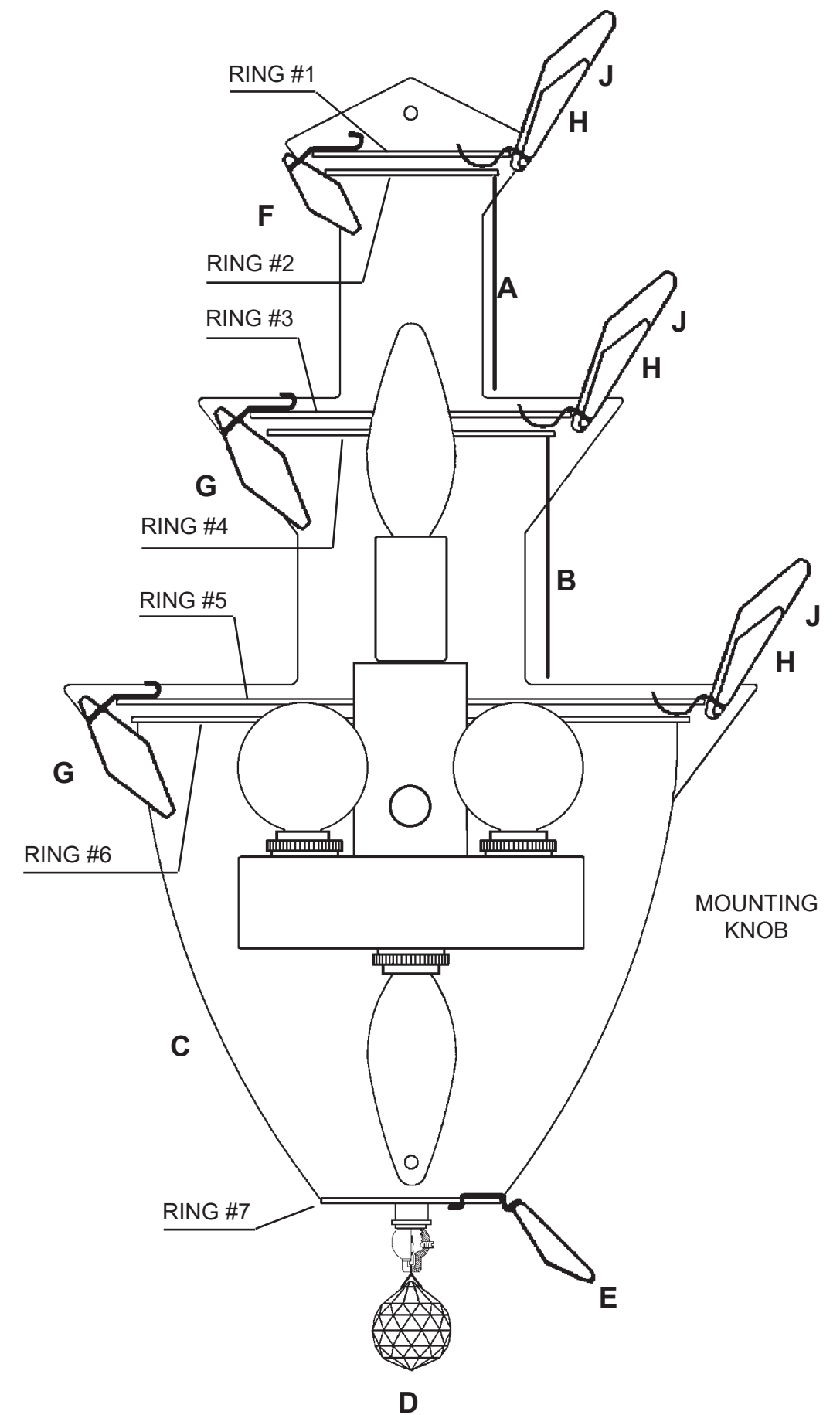
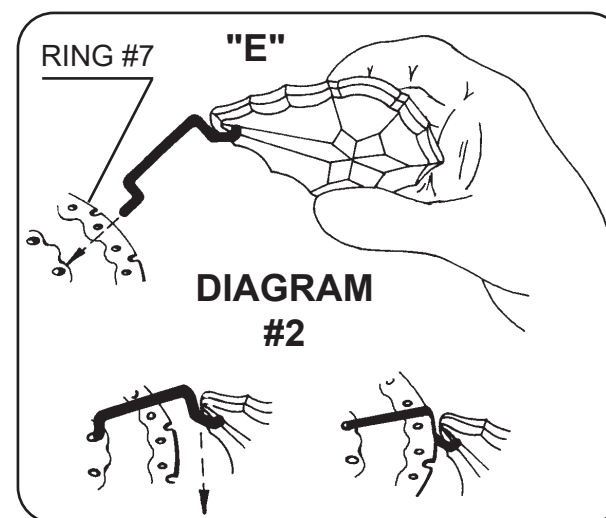
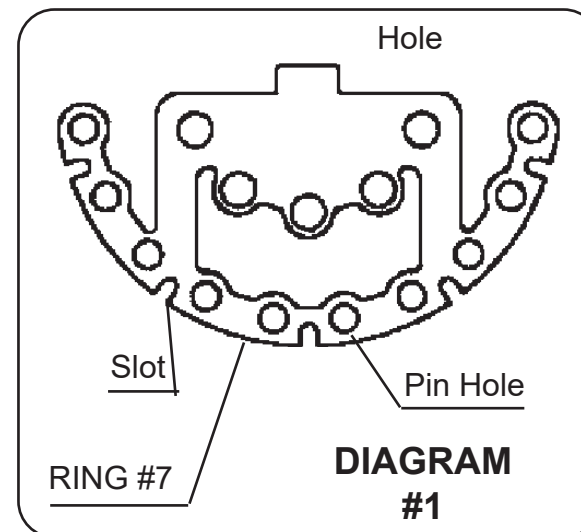
9 Hook the bottom of Crystal Chain "C" into the pin holes on
 ring #7. See diagram #1 for detailed instructions. Close bottom
 hook after inserting into washer.

10 Hook Crystal "F" into the "plain" bracket of ring #1. See
 diagram #3 on page 6.

11 Hook Crystal "G" into the "plain" bracket of ring #3. See
 diagram #3 on page 6.

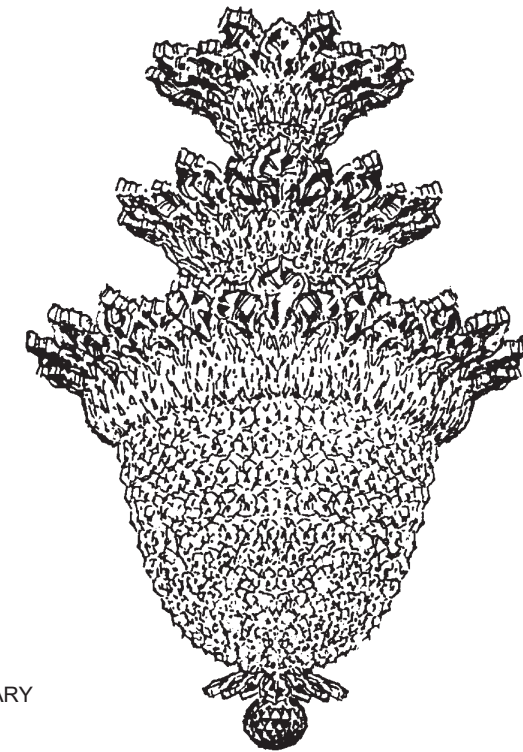
12 Hook small Crystal "H" into every second (NOTE: SKIP
 1ST "Y" BRACKET AGAINST WALL AND START WITH 2ND
 BRACKET) "Y" bracket of rings #1, #3 & #5. See diagram #4 on
 page 6.

Hook large Crystal "J" into the remaining "Y" brackets (NOTE:
 START WITH 1ST BRACKET AGAINST WALL) on the rings #1,
 #3 & #5. See diagram #4 on page 6.





CHANDELIER 5888R TRIM DIAGRAM



THIS DESIGN IS THE PROPRIETARY TRADE DRESS/TRADEMARK OF W SCHONBEK LLC.

4 Lights
Diameter: 12-1/2"
Body Length: 19"
Extension: 6-1/2"



SCHONBEK | 1870

CAUTION... RISK OF ELECTRICAL SHOCK. Make sure the electrical supply to the chandelier is turned off at the main fuse or circuit breaker before doing any installation. All electrical components must be installed by a licensed electrician in accordance with the National Electric Code and the appropriate local electrical codes.

HANGING WEIGHT: 10 pounds.

BULBS: (2) Candle shaped candelabra base B10 bulbs, recommend 25 watts for best appearance.
(2) Globe shaped candelabra base G16-1/2 bulbs, recommend 25 watts for best appearance.
40 - Watts Maximum

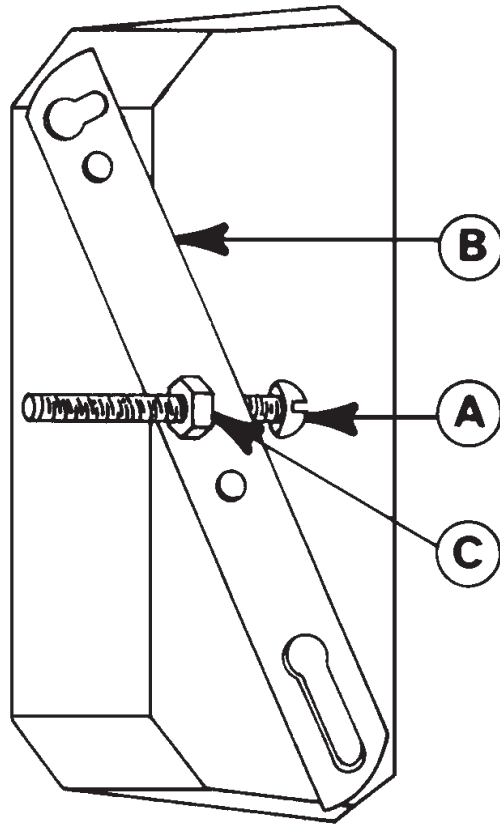
WARNING: This chandelier meets UL/CSA requirements. Any tampering will void UL/CSA certification.

Follow steps in exact order
Save this trim diagram for future reference

IMPORTANT

Please record the following information for future service.

CODE	# _____	Four-digit number on outside of carton.
PACKER	# _____	See crystal package label.
ORDER	# _____	See crystal package label.



- 1 MAKE SURE THAT POWER TO THE OUTLET BOX IS DISCONNECTED!!**
- 2** Thread long screw "A" through crossbar "B" and attach crossbar to outlet box using 2 screws round head 8-32 x 1" (not supplied with wall bracket.)
- 3** Test fit wall bracket by guiding it over screw "A". Adjust screw "A" so that it extends approximately 1/4" through wall bracket. Remove wall bracket. Thread nut "C" onto screw and tighten it against crossbar. (NOTE: In some installations, due to space, nut "C" might have to go on the other side of the crossbar.)
- 4** Connect the wires of the wall bracket to the power wires of the outlet box, guide wall bracket over screw "A" and secure with threaded half ball supplied.
- 5** Make sure wall bracket is level. Upper portion of wall bracket must be secured to the wall. Screw mounting screw through hole near ring #1 and by bottom finial until mirror touches wall. NOTE: Fixture **MUST** be grounded.
- 6** Screw bulbs into all sockets(s). Test power to insure proper wiring before hanging trim from fixture.

MAINTENANCE:

Use a soft, lint - free cloth to clean the metal frame.

UNDER NO CIRCUMSTANCES SHOULD METAL POLISHES, CLEANERS, ABRASIVES OR AEROSOL SPRAYS BE USED.

While the latest finishing techniques have been used on the metal frame, such finish cannot be unconditionally guaranteed. The main cause of deterioration, apart from certain atmospheric conditions, is improper cleaning.

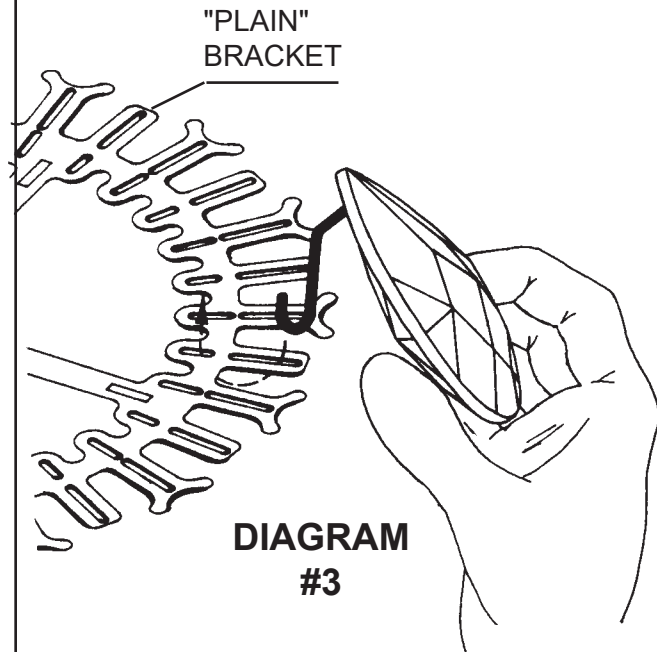
To clean the crystals, polish with a damp chamois.

You are cleaning delicate jewelry... Take the greatest care.

IMPORTANT:

Do not clean crystals in a dishwasher. The finish of the metal clips and hangers will be ruined and the crystals may be damaged.

Installation of Crystal "F" and "G"

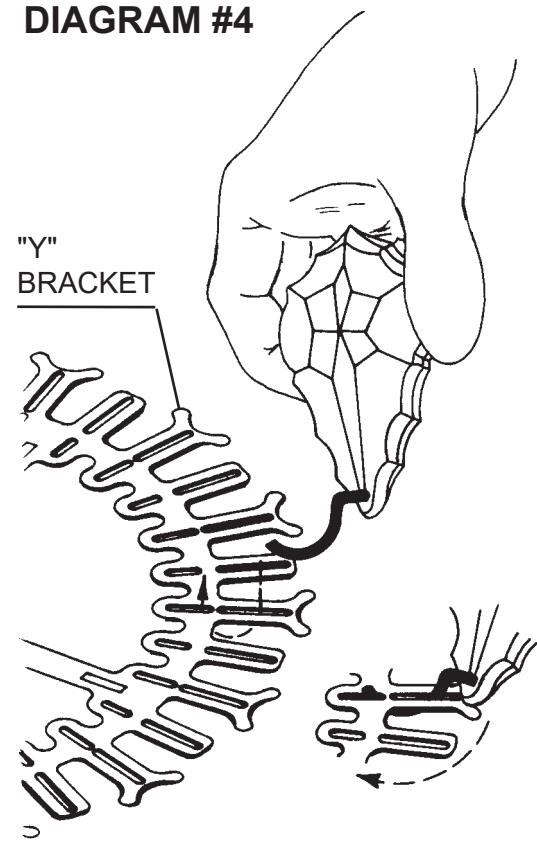


Position the crystal above the "plain" bracket so that the end of the hook enters the slot, gently push toward the center of the fixture and raise the crystal making sure that the end of the hook comes up through the inner slot, in line with the outer slot.

With the hook in the bracket, as shown, pivot the crystal downwards so that the hook rests in the end of the outer slot.



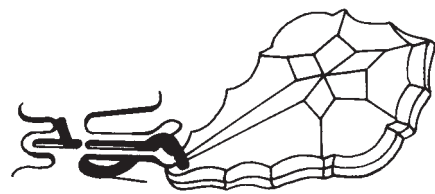
DIAGRAM #4



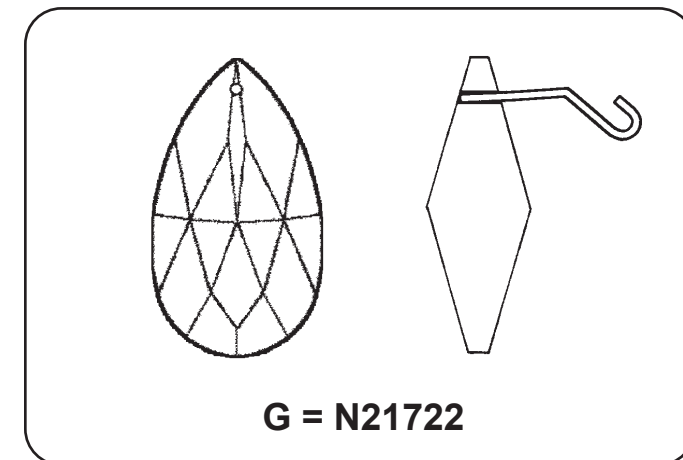
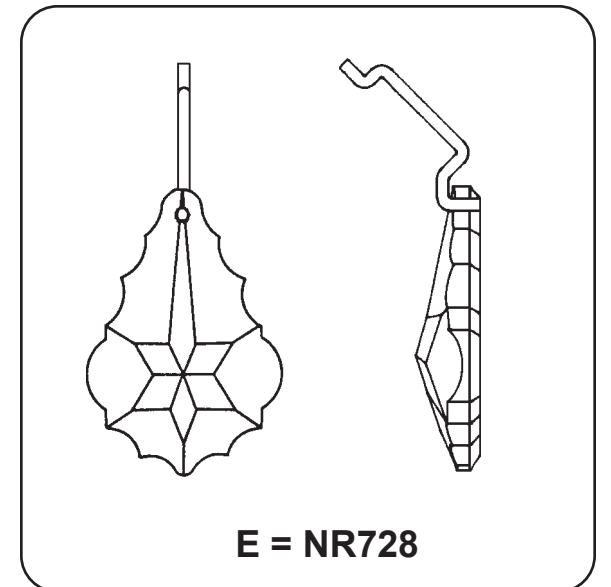
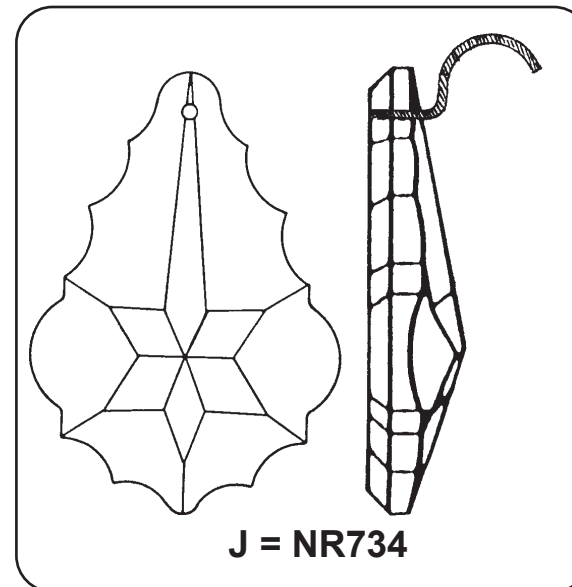
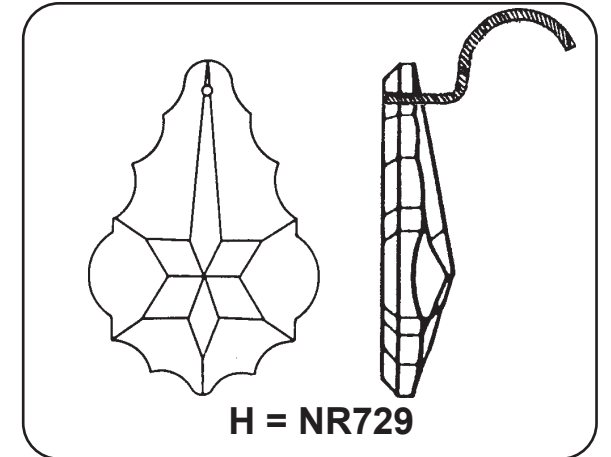
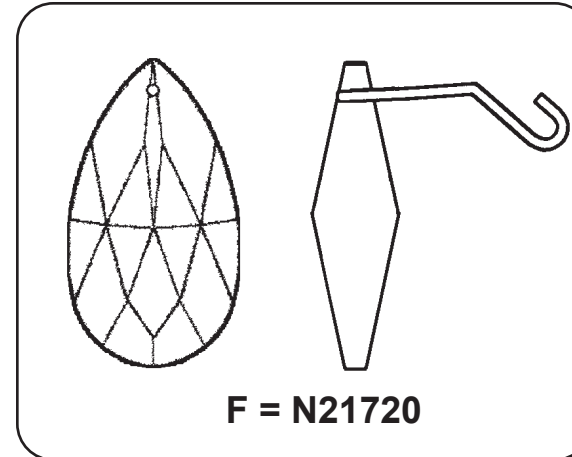
Installation of Crystal "H" and "J"

Position the crystal above the "Y" bracket so that the end of the hook enters the long slot, gently push toward the center of the fixture and raise the crystal making sure that the end of the hook comes up through the short slot, in line with the long slot.

With the hook in the bracket, as shown, pivot the crystal downwards so that the hook rests in the end of the long slot.



TRIM ID SHEET FOR ORDERING SPARE PARTS. PLEASE SAVE FOR CLEANING FIXTURE!



7 Hook Crystal Chain "A" into ring #2.
 Hook Crystal Chain "B" into ring #4.
 Hook Crystal Chain "C" (large crystal at top) into ring #6, let
 Chains "C" hang straight down (until Step #10).

8 Screw Crystal Ball "D" into the bottom of the frame.
 Hang Crystal "E" into every hole/slot on ring #7. See diagram #2
 for detailed instructions.

9 Hook the bottom of Crystal Chain "C" into the pin holes on
 ring #7. See diagram #1 for detailed instructions. Close bottom
 hook after inserting into washer.

10 Hook Crystal "F" into the "plain" bracket of ring #1. See
 diagram #3 on page 6.

11 Hook Crystal "G" into the "plain" bracket of ring #3. See
 diagram #3 on page 6.

12 Hook small Crystal "H" into every second (NOTE: SKIP
 1ST "Y" BRACKET AGAINST WALL AND START WITH 2ND
 BRACKET) "Y" bracket of rings #1, #3 & #5. See diagram #4 on
 page 6.

Hook large Crystal "J" into the remaining "Y" brackets (NOTE:
 START WITH 1ST BRACKET AGAINST WALL) on the rings #1,
 #3 & #5. See diagram #4 on page 6.

