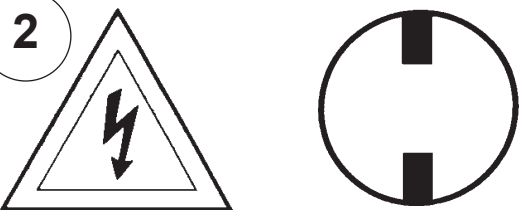


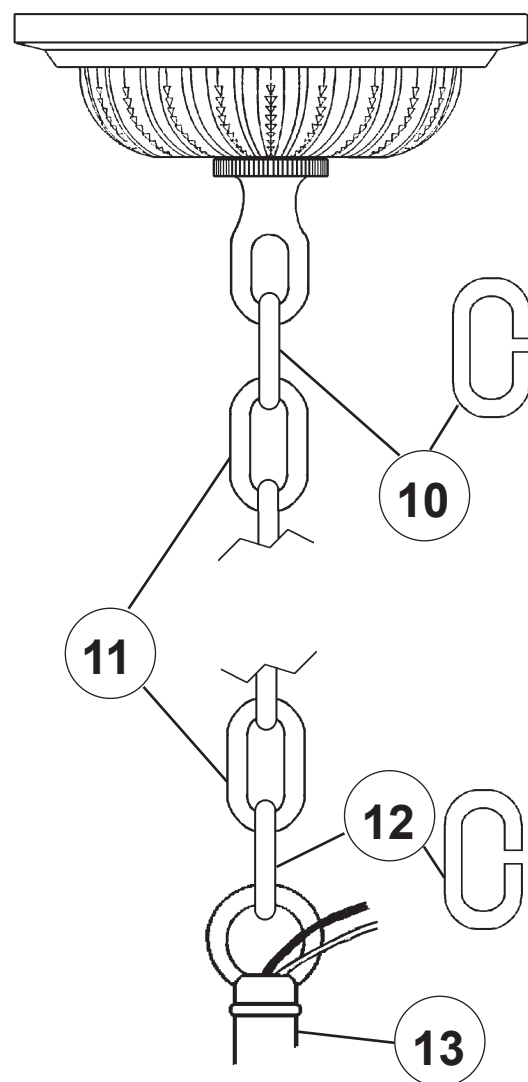
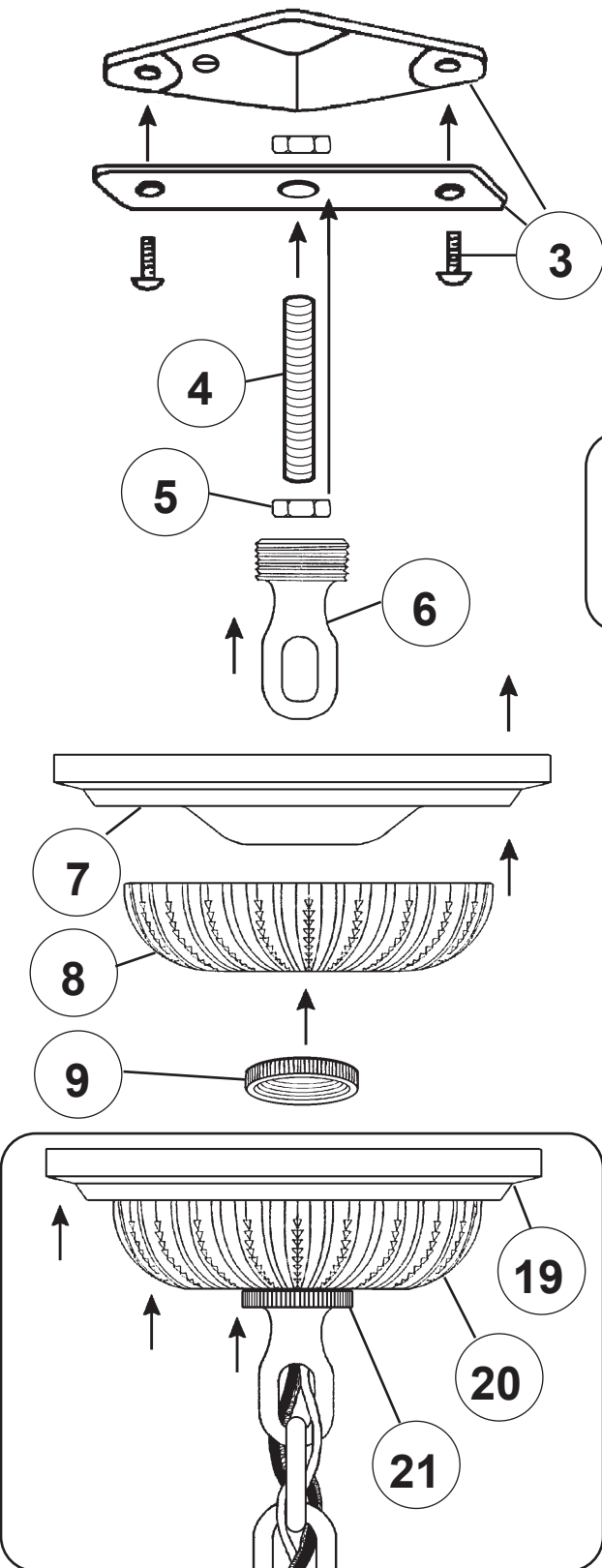
Instructions for electrician
STEPS 2 - 21

WARNING:

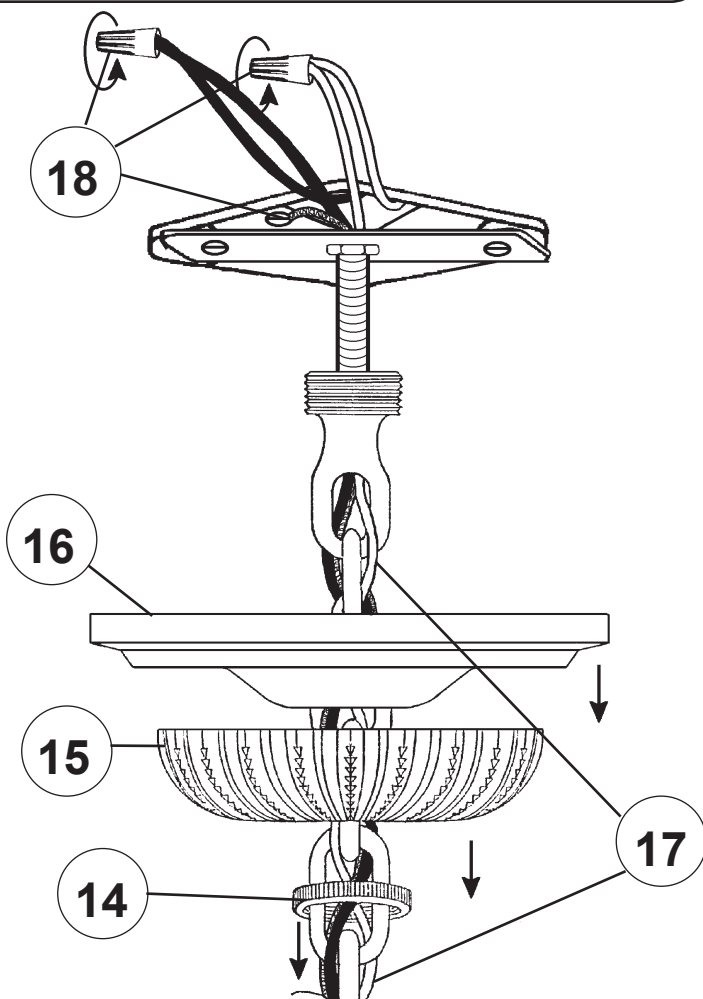


Electrical Danger Turn Power Off

All electrical components must be installed by a licensed electrician in accordance with the National Electric Code and the appropriate local electrical codes.



MAKE SURE THE LOOSE GALLERY RING IS INSTALLED (SLIDE DOWN OVER CENTER COLUMN!) BEFORE CONNECTING FIXTURE WITH CONNECTING LINKS!!



CHANDELIER 6616-___O TRIM DIAGRAM

(Finish Option)



20 Lights
Diameter: 21"
Body Length: 31"
Hanging Weight: 20 pounds

THIS DESIGN IS THE PROPRIETARY TRADE DRESS/TRADEMARK OF W SCHONBEK LLC.



SCHONBEK | 1870

See diagram on back page
Follow steps in exact order
Save this trim diagram for future reference

1 **IMPORTANT**
Person who opens carton should record the following information for future service.
CODE # _____ Four-digit number on outside of carton.
PACKER # _____ See crystal package label.
ORDER # _____ See crystal package label.



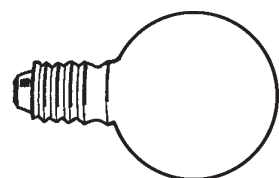
Instructions for crystal trimming

STEPS 22 - 28

22

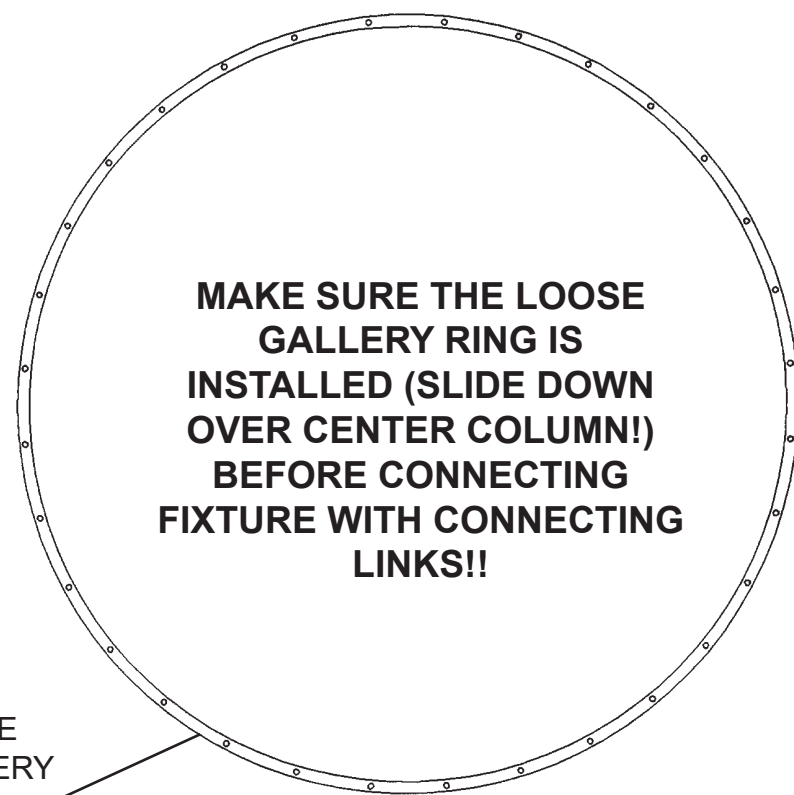


You will need 16 - B10
25 Watts Recommended
60 Watts Max



You will need 4 - G16-1/2
25 Watts Recommended
60 Watts Max

Install bulbs and be sure to test fixture BEFORE trimming.

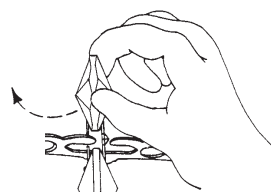


MAKE SURE THE LOOSE GALLERY RING IS INSTALLED (SLIDE DOWN OVER CENTER COLUMN!) BEFORE CONNECTING FIXTURE WITH CONNECTING LINKS!!

LOOSE GALLERY RING

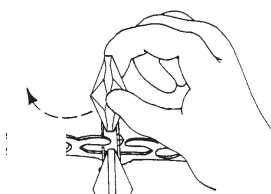
23 Hook Chains "A" into the top inside ring pin holes. Hook the other end into the loose gallery ring inside pin holes. NOTE: Small jewels on upper end with metal connectors facing outwards.

24 Slide Chains "B" (FLIP EVERY OTHER ONE) into the slots of the top gallery ring. NOTE: Hold onto the square stone and turn chain side ways, this will allow connector to pass through slot in metal ring. Turn square stone to face the outside of the fixture and lower it until it seats itself in the ring.

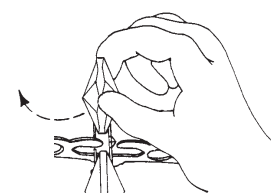


25 Hook the finial into the bottom of the frame.

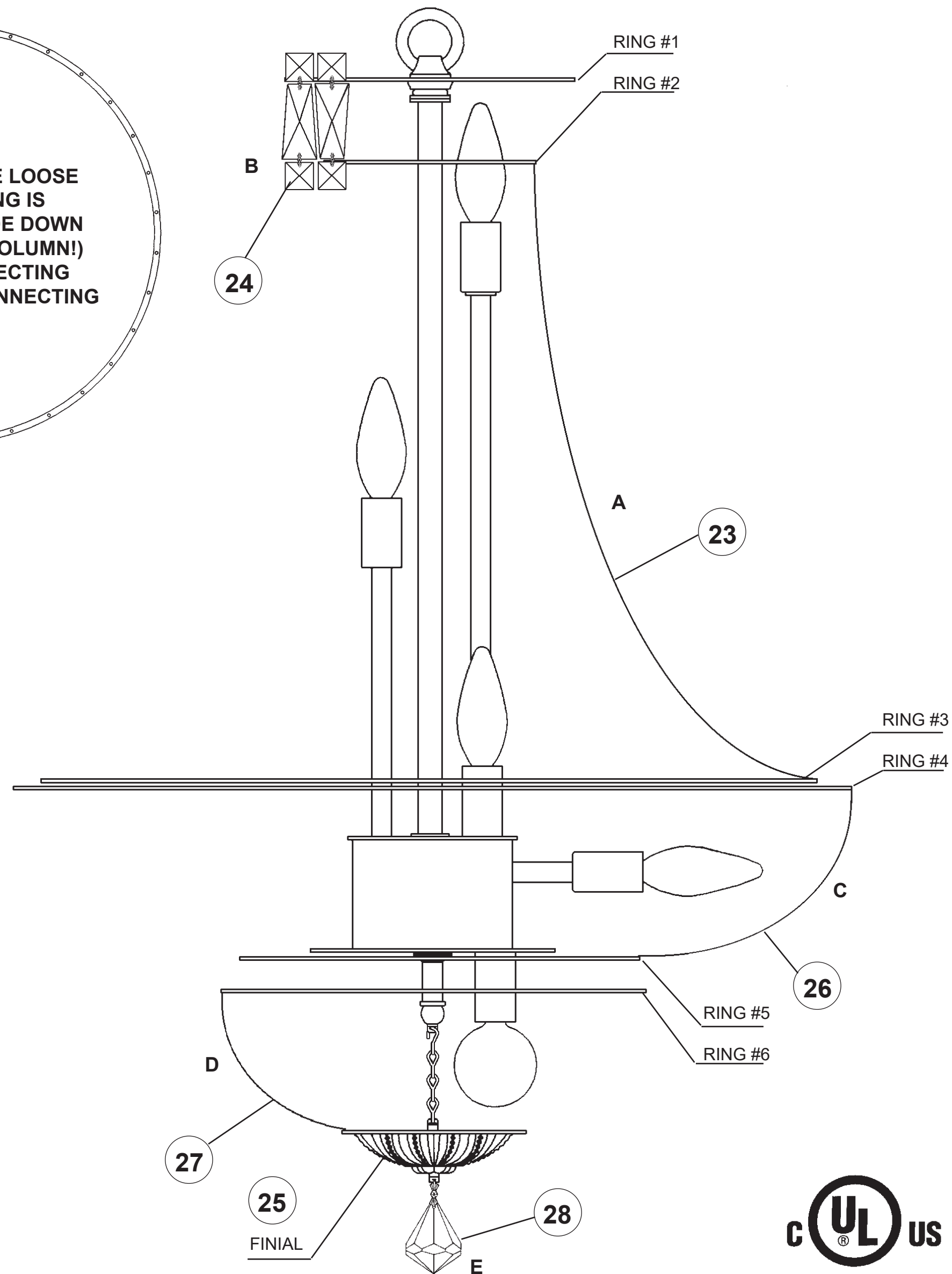
26 Hook Chains "C" into the middle gallery ring #4. NOTE: Hold onto the square stone and turn chain side ways, this will allow connector to pass through slot in metal ring. Turn square stone to face the outside of the fixture and lower it until it seats itself in the ring. Hook the other end into the outside pin holes of ring #5.



27 Hook Chains "D" into the middle gallery ring #6. NOTE: Hold onto the square stone and turn chain side ways, this will allow connector to pass through slot in metal ring. Turn square stone to face the outside of the fixture and lower it until it seats itself in the ring. Hook the other end into the pin holes of the finial.

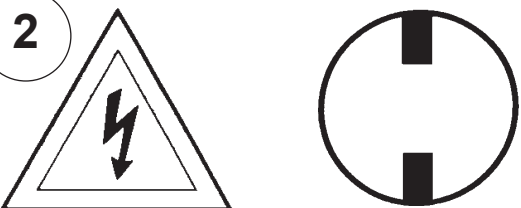


28 Hook Ball "E" into the knob located at the bottom of the finial.



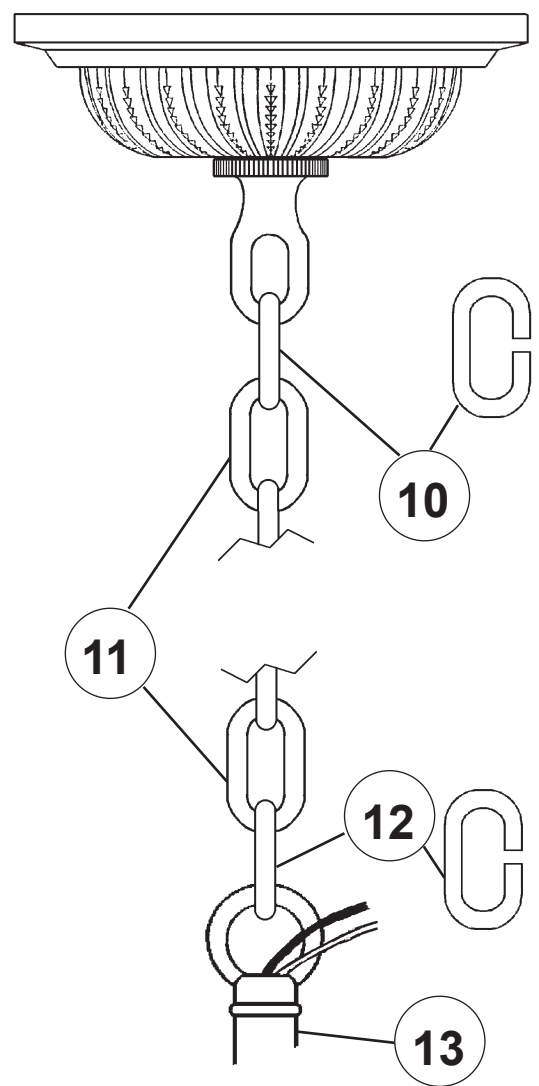
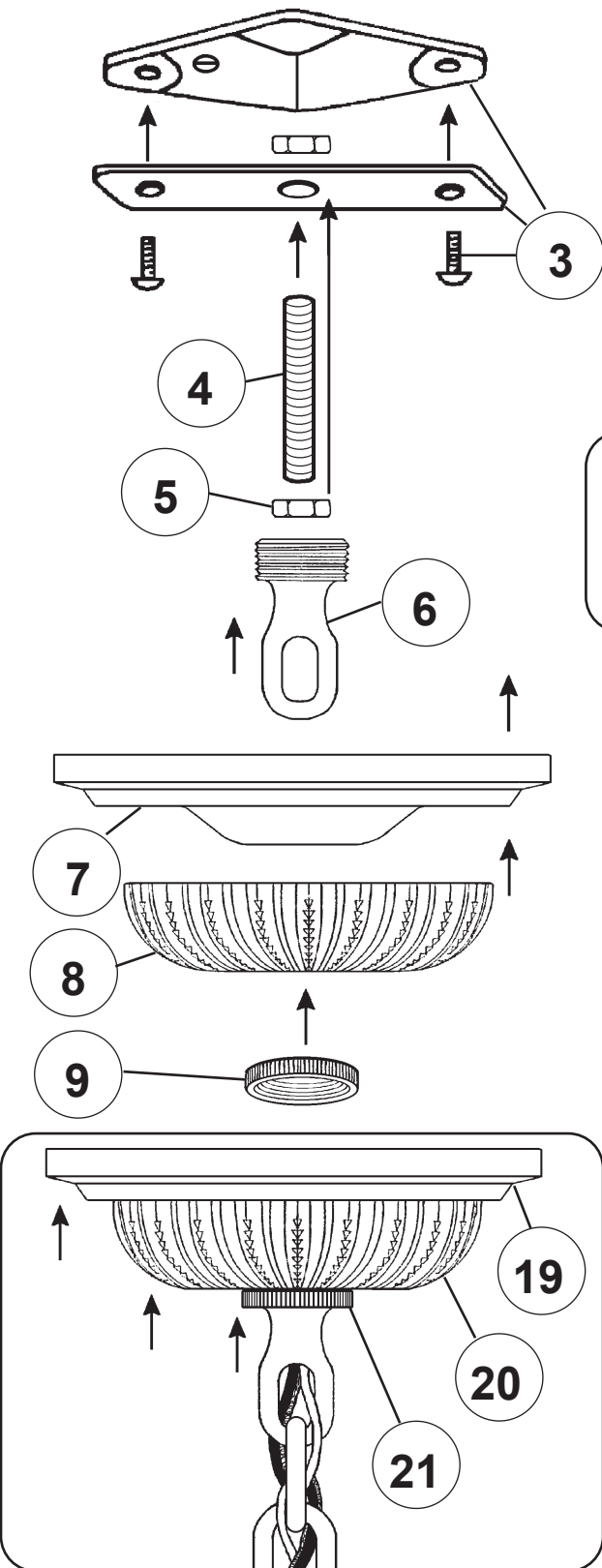
Instructions for electrician
STEPS 2 - 21

WARNING:

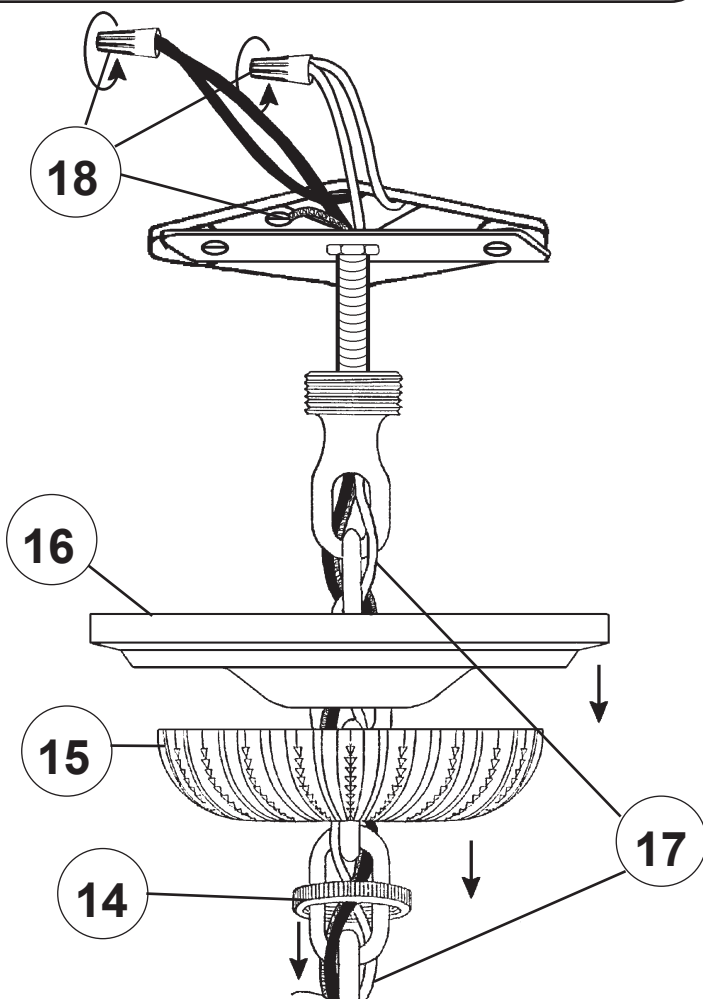


Electrical Danger Turn Power Off

All electrical components must be installed by a licensed electrician in accordance with the National Electric Code and the appropriate local electrical codes.



MAKE SURE THE LOOSE GALLERY RING IS INSTALLED (SLIDE DOWN OVER CENTER COLUMN!) BEFORE CONNECTING FIXTURE WITH CONNECTING LINKS!!



CHANDELIER 6616-___R TRIM DIAGRAM

(Finish Option)



20 Lights
Diameter: 21"
Body Length: 31"
Hanging Weight: 20 pounds

T HIS DESIGN IS THE PROPRIETARY TRADE DRESS/TRADEMARK OF W SCHONBEK LLC.



SCHONBEK | 1870

See diagram on back page
Follow steps in exact order
Save this trim diagram for future reference

1 **IMPORTANT**
Person who opens carton should record the following information for future service.
CODE # _____ Four-digit number on outside of carton.
PACKER # _____ See crystal package label.
ORDER # _____ See crystal package label.



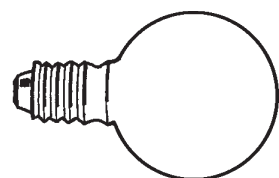
Instructions for crystal trimming

STEPS 22 - 28

22

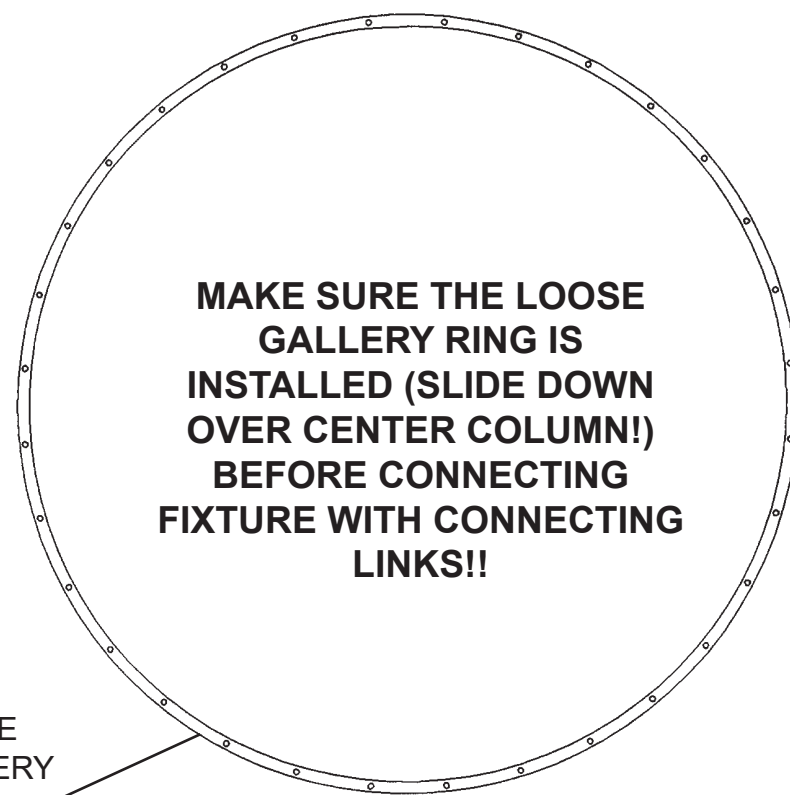


You will need 16 - B10
25 Watts Recommended
60 Watts Max



You will need 4 - G16-1/2
25 Watts Recommended
60 Watts Max

Install bulbs and be sure to test fixture BEFORE trimming.

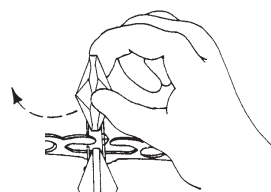


MAKE SURE THE LOOSE GALLERY RING IS INSTALLED (SLIDE DOWN OVER CENTER COLUMN!) BEFORE CONNECTING FIXTURE WITH CONNECTING LINKS!!

LOOSE GALLERY RING

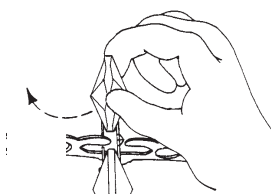
23 Hook Chains "A" into the top inside ring pin holes. Hook the other end into the loose gallery ring inside pin holes. NOTE: Small jewels on upper end with metal connectors facing outwards.

24 Slide Chains "B" (FLIP EVERY OTHER ONE) into the slots of the top gallery ring. NOTE: Hold onto the square stone and turn chain side ways, this will allow connector to pass through slot in metal ring. Turn square stone to face the outside of the fixture and lower it until it seats itself in the ring.



25 Hook the finial into the bottom of the frame.

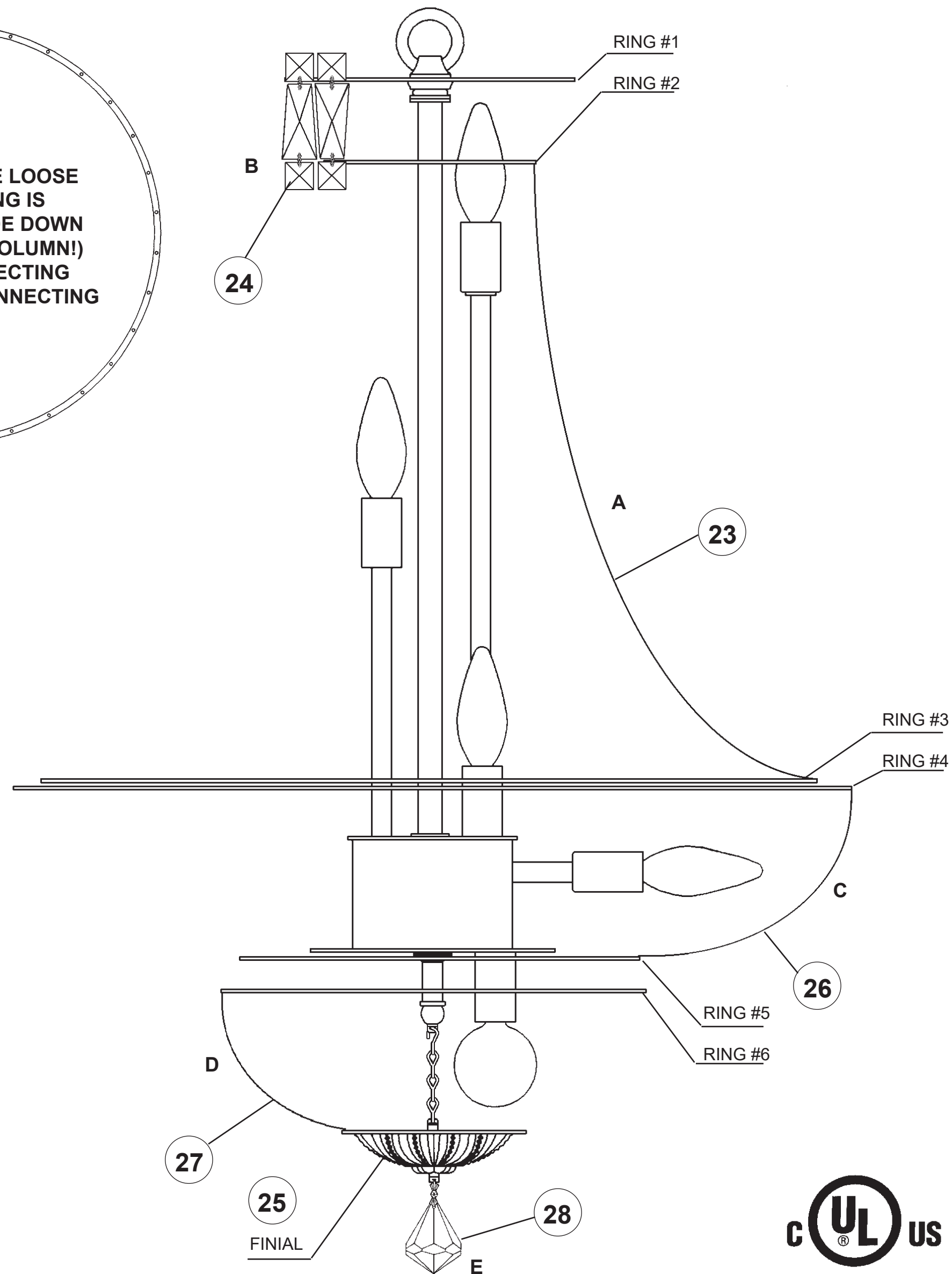
26 Hook Chains "C" into the middle gallery ring #4. NOTE: Hold onto the square stone and turn chain side ways, this will allow connector to pass through slot in metal ring. Turn square stone to face the outside of the fixture and lower it until it seats itself in the ring. Hook the other end into the outside pin holes of ring #5.



27 Hook Chains "D" into the middle gallery ring #6. NOTE: Hold onto the square stone and turn chain side ways, this will allow connector to pass through slot in metal ring. Turn square stone to face the outside of the fixture and lower it until it seats itself in the ring. Hook the other end into the pin holes of the finial.

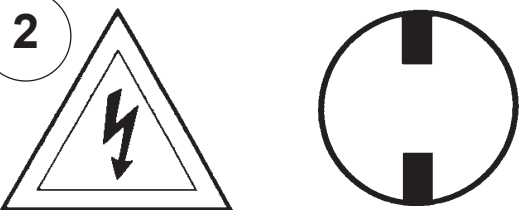


28 Hook Ball "E" into the knob located at the bottom of the finial.



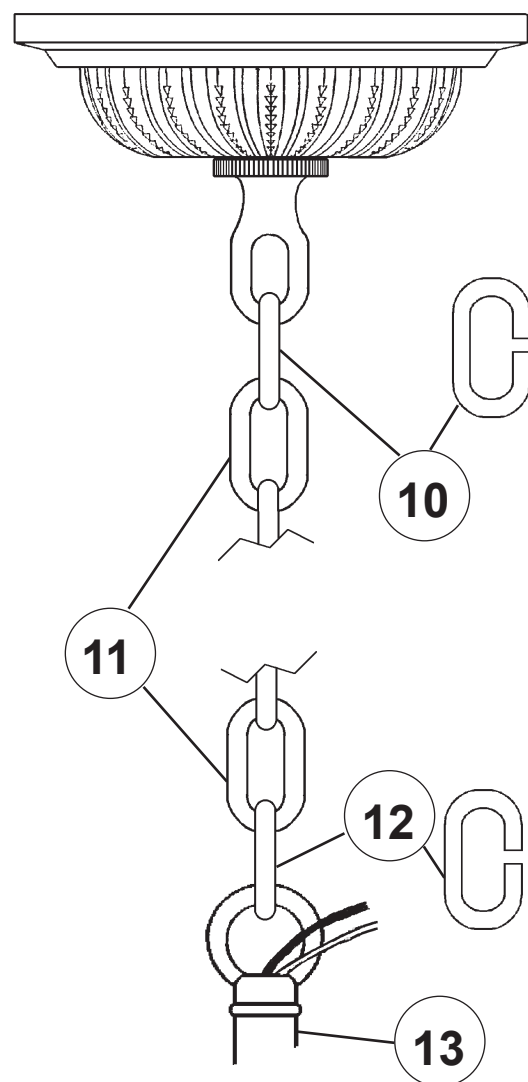
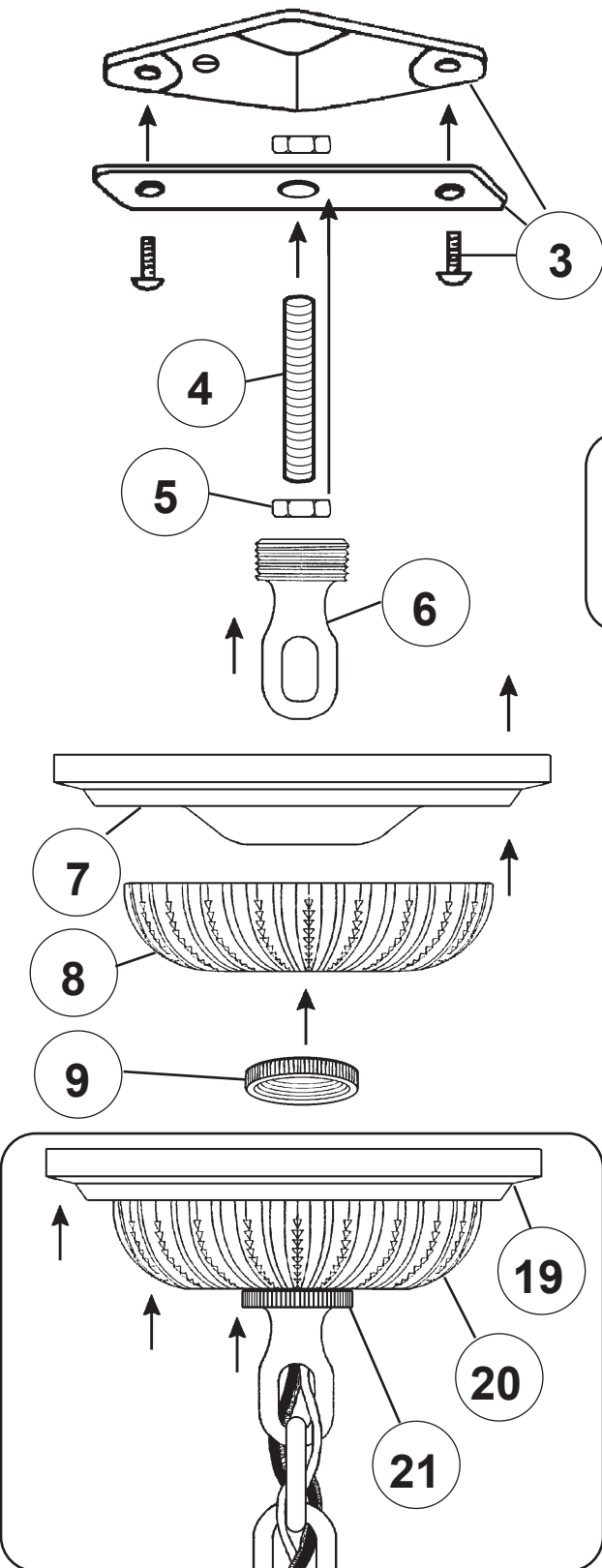
Instructions for electrician
STEPS 2 - 21

WARNING:

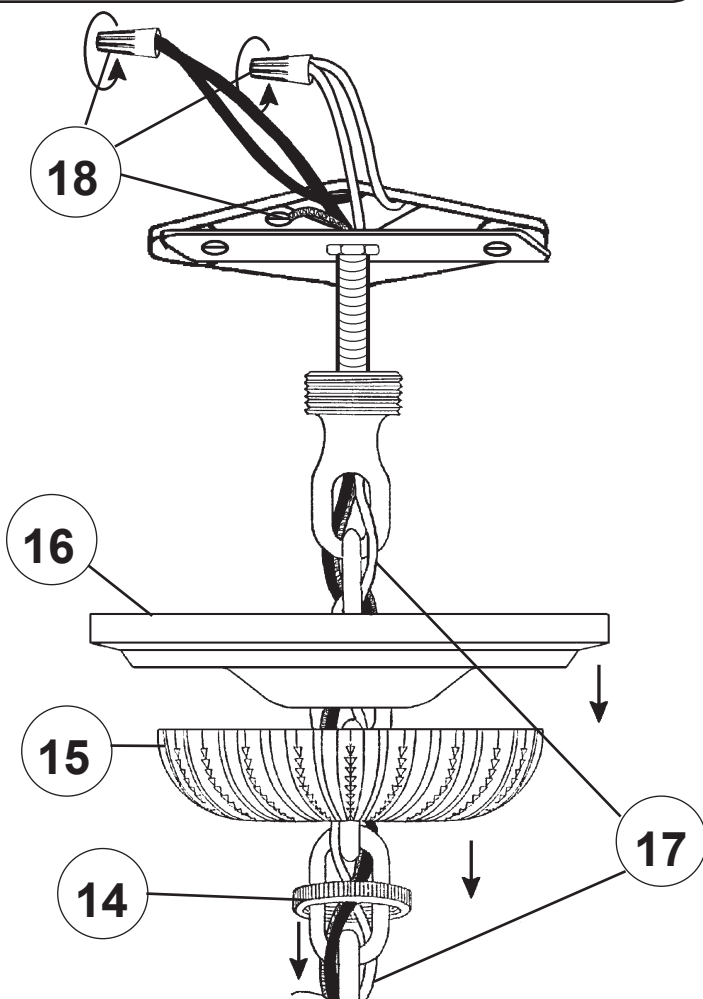


Electrical Danger Turn Power Off

All electrical components must be installed by a licensed electrician in accordance with the National Electric Code and the appropriate local electrical codes.



MAKE SURE THE LOOSE GALLERY RING IS INSTALLED (SLIDE DOWN OVER CENTER COLUMN!) BEFORE CONNECTING FIXTURE WITH CONNECTING LINKS!!



CHANDELIER 6616-___S TRIM DIAGRAM

(Finish Option)



20 Lights
Diameter: 21"
Body Length: 31"
Hanging Weight: 20 pounds

THIS DESIGN IS THE PROPRIETARY TRADE DRESS/TRADEMARK OF W SCHONBEK LLC.



SCHONBEK | 1870

See diagram on back page
Follow steps in exact order
Save this trim diagram for future reference

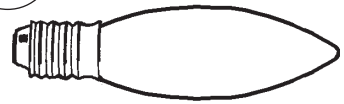
1 **IMPORTANT**
Person who opens carton should record the following information for future service.
CODE # _____ Four-digit number on outside of carton.
PACKER # _____ See crystal package label.
ORDER # _____ See crystal package label.



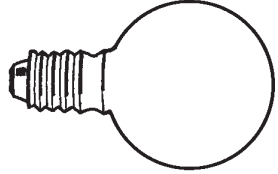
Instructions for crystal trimming

STEPS 22 - 28

22

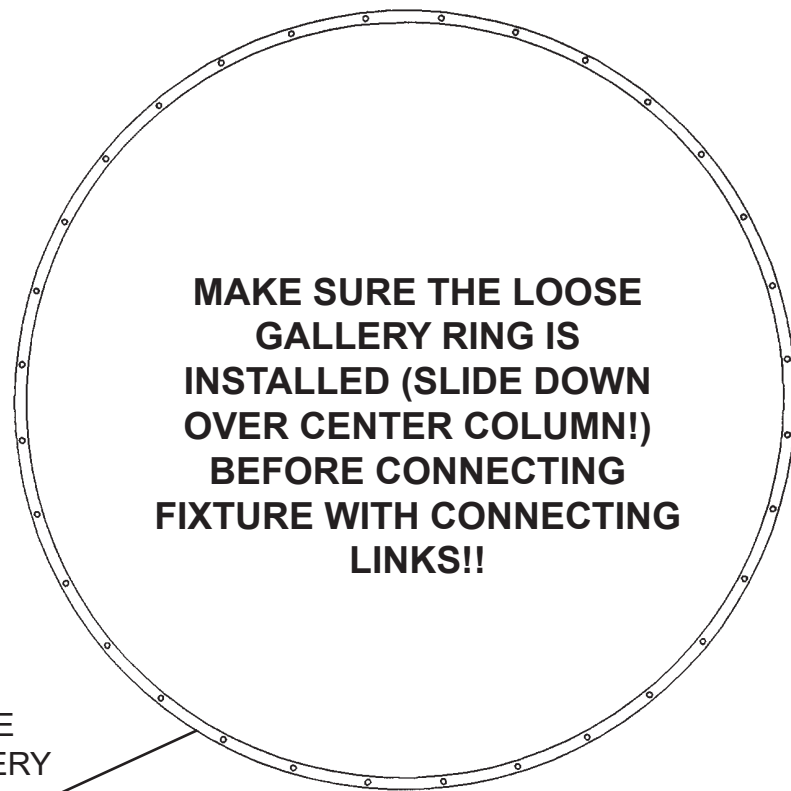


You will need 16 - B10
25 Watts Recommended
60 Watts Max



You will need 4 - G16-1/2
25 Watts Recommended
60 Watts Max

Install bulbs and be sure to test fixture BEFORE trimming.

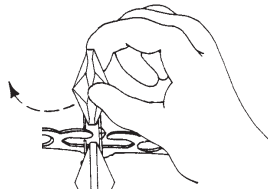


MAKE SURE THE LOOSE GALLERY RING IS INSTALLED (SLIDE DOWN OVER CENTER COLUMN!) BEFORE CONNECTING FIXTURE WITH CONNECTING LINKS!!

LOOSE GALLERY RING

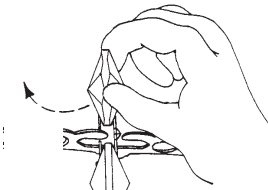
23 Hook Chains "A" into the top inside ring pin holes. Hook the other end into the loose gallery ring inside pin holes. NOTE: Small jewels on upper end with metal connectors facing outwards.

24 Slide Chains "B" (FLIP EVERY OTHER ONE) into the slots of the top gallery ring. NOTE: Hold onto the square stone and turn chain side ways, this will allow connector to pass through slot in metal ring. Turn square stone to face the outside of the fixture and lower it until it seats itself in the ring.



25 Hook the finial into the bottom of the frame.

26 Hook Chains "C" into the middle gallery ring #4. NOTE: Hold onto the square stone and turn chain side ways, this will allow connector to pass through slot in metal ring. Turn square stone to face the outside of the fixture and lower it until it seats itself in the ring. Hook the other end into the outside pin holes of ring #5.



27 Hook Chains "D" into the middle gallery ring #6. NOTE: Hold onto the square stone and turn chain side ways, this will allow connector to pass through slot in metal ring. Turn square stone to face the outside of the fixture and lower it until it seats itself in the ring. Hook the other end into the pin holes of the finial.



28 Hook Ball "E" into the knob located at the bottom of the finial.

