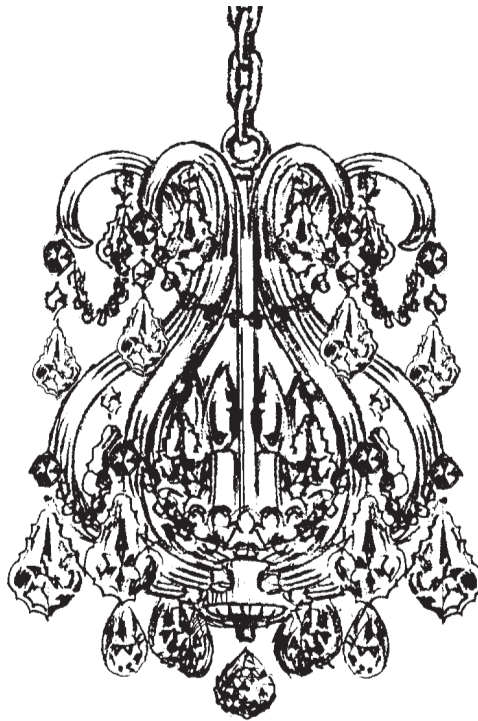


# CHANDELIER 6809-\_\_\_ \_\_H TRIM DIAGRAM

(Finish Option)



**T**HIS DESIGN IS THE PROPRIETARY TRADE DRESS/TRADEMARK OF W SCHONBEK LLC.

4 Lights  
Diameter: 11"  
Body Length: 17"



# SCHONBEK | 1870

**CAUTION... RISK OF ELECTRICAL SHOCK.** Make sure the electrical supply to the chandelier is turned off at the main fuse or circuit breaker before doing any installation. All electrical components must be installed by a licensed electrician in accordance with the National Electric Code and the appropriate local electrical codes.

HANGING WEIGHT: 10 lbs.

BULBS: (4) - Candle shaped candelabra base B10 bulbs, recommend 25 watts for best appearance.  
40 - Watts Maximum

WARNING: This chandelier meets UL/CSA requirements. Any tampering will void UL/CSA certification.

### MAINTENANCE:

Use a soft, lint free cloth to clean the metal frame.

**UNDER NO CIRCUMSTANCES SHOULD METAL POLISHES, CLEANERS, ABRASIVES OR AEROSOL SPRAYS BE USED.**

While the latest finishing techniques have been used on the metal frame, such finish cannot be unconditionally guaranteed. The main cause of deterioration, apart from certain atmospheric conditions, is improper cleaning.

To clean the crystals, polish with a damp chamois.

You are cleaning delicate crystal... Take the greatest care.

### IMPORTANT:

Do not clean crystals in a dishwasher. The finish of the metal clips and hangers will be ruined and the crystals may be damaged.

**1**

### IMPORTANT

**Please record the following information for future service.**

CODE	# _____	Four-digit number on outside of carton.
PACKER	# _____	See crystal package label.
ORDER	# _____	See crystal package label.

**CAUTION:** Glass parts are fragile. To Avoid breakage use care when assembling or cleaning.

**2 MAKE SURE THAT POWER TO THE OUTLET BOX IS DISCONNECTED!!**

**3** Attach crossbar to outlet box.

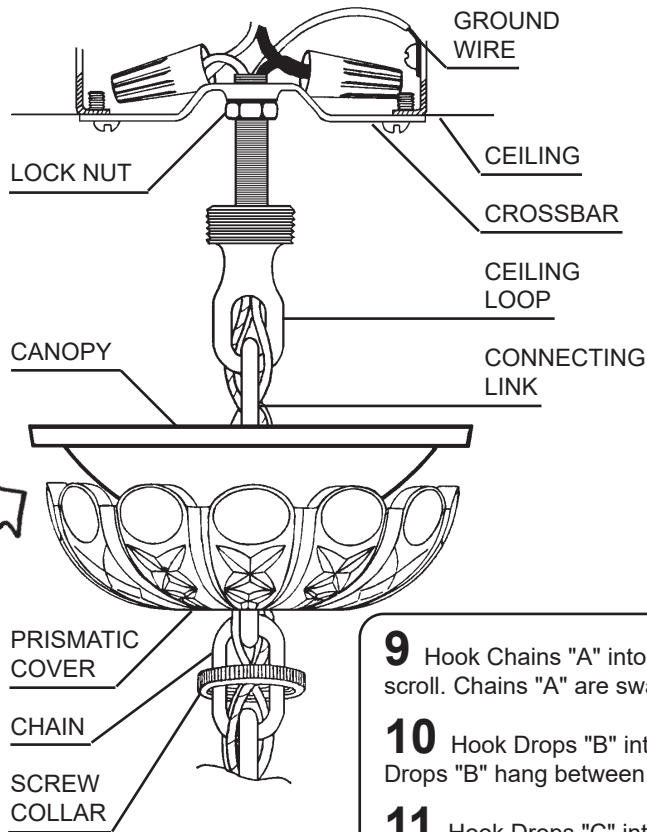
**4** Slip screw collar, canopy and prismatic cover over chain. Determine the suspension length of the fixture and cut chain, if necessary. Use two connecting links to attach chain to chandelier loop and ceiling loop.

**5** Insert stem wire through chain and ceiling loop. Connect wires. Fixture **MUST** be grounded.

**6** Check distance from ceiling to loop to assure canopy assembly will be flush against ceiling.

**7** Attach canopy to ceiling with screw collar.

**8** Screw bulbs into all sockets(s). Test power to insure proper wiring before hanging trim from fixture.



**9** Hook Chains "A" into the upper inside ring on the scroll. Chains "A" are swagged between scrolls.

**10** Hook Drops "B" into the rings on Chains "A". Drops "B" hang between scrolls.

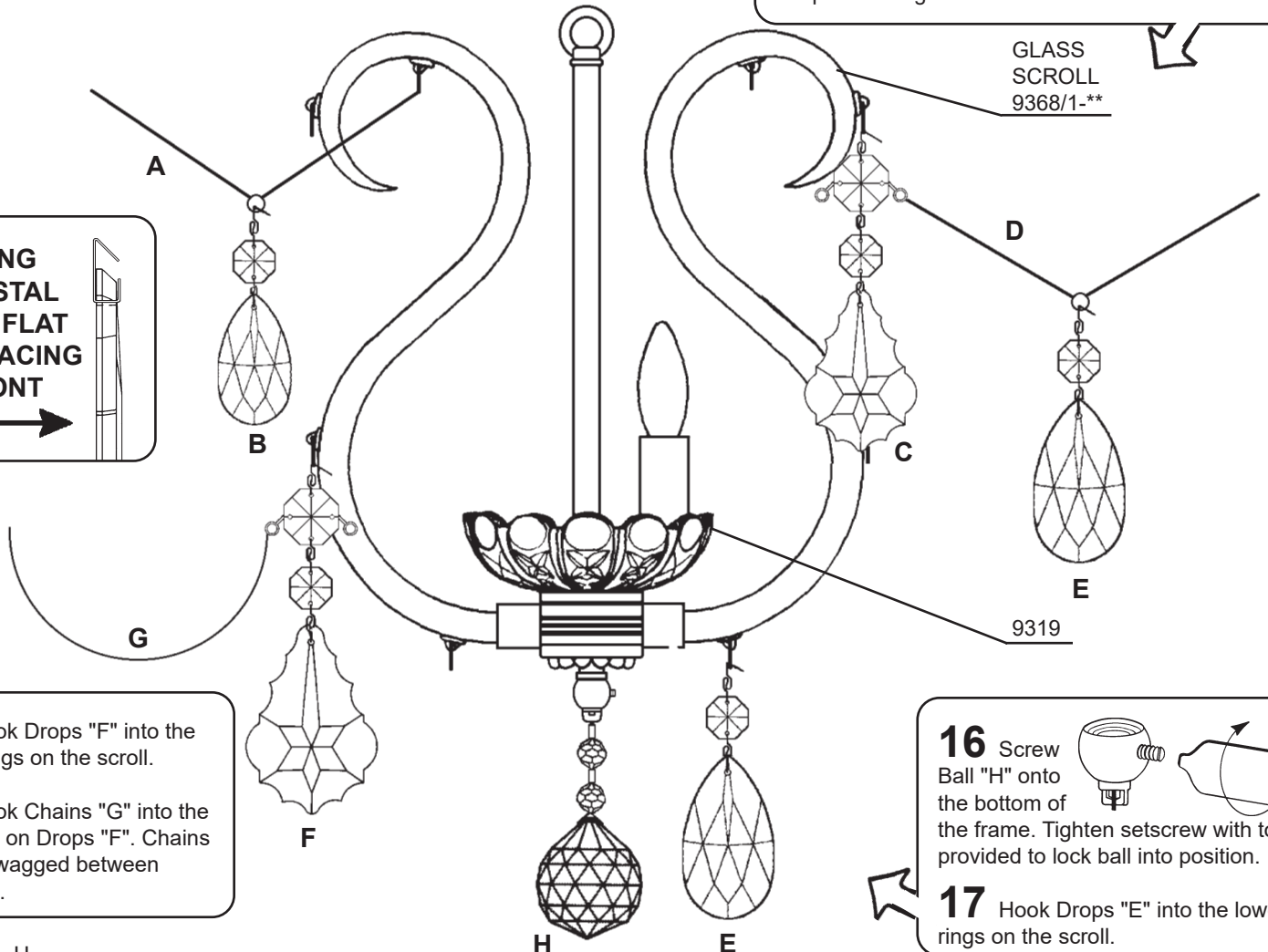
**11** Hook Drops "C" into the outside ring on the scroll.

**12** Hook Chains "D" into the side rings on Drops "C". Chains "D" are swagged between Drops "C".

**13** Hook Drops "E" into the rings on Chains "D". Drops "E" hang between scrolls.



**HANG CRYSTAL WITH FLAT SIDE FACING FRONT**



**14** Hook Drops "F" into the middle rings on the scroll.

**15** Hook Chains "G" into the side rings on Drops "F". Chains "G" are swagged between Drops "F".

**16** Screw Ball "H" onto the bottom of the frame. Tighten setscrew with tool provided to lock ball into position.

**17** Hook Drops "E" into the lowest rings on the scroll.

# CHANDELIER 6809-\_\_\_\_R TRIM DIAGRAM

(Finish Option)



**T**HIS DESIGN IS THE PROPRIETARY TRADE DRESS/TRADEMARK OF W SCHONBEK LLC.

4 Lights  
Diameter: 11"  
Body Length: 17"



# SCHONBEK | 1870

**CAUTION... RISK OF ELECTRICAL SHOCK.** Make sure the electrical supply to the chandelier is turned off at the main fuse or circuit breaker before doing any installation. All electrical components must be installed by a licensed electrician in accordance with the National Electric Code and the appropriate local electrical codes.

HANGING WEIGHT: 10 lbs.

BULBS: (4) - Candle shaped candelabra base B10 bulbs, recommend 25 watts for best appearance.  
40 - Watts Maximum

**WARNING:** This chandelier meets UL/CSA requirements. Any tampering will void UL/CSA certification.

### MAINTENANCE:

Use a soft, lint free cloth to clean the metal frame.

**UNDER NO CIRCUMSTANCES SHOULD METAL POLISHES, CLEANERS, ABRASIVES OR AEROSOL SPRAYS BE USED.**

While the latest finishing techniques have been used on the metal frame, such finish cannot be unconditionally guaranteed. The main cause of deterioration, apart from certain atmospheric conditions, is improper cleaning.

To clean the crystals, polish with a damp chamois.

You are cleaning delicate crystal... Take the greatest care.

### IMPORTANT:

Do not clean crystals in a dishwasher. The finish of the metal clips and hangers will be ruined and the crystals may be damaged.

**1**

### IMPORTANT

**Please record the following information for future service.**

CODE	# _____	Four-digit number on outside of carton.
PACKER	# _____	See crystal package label.
ORDER	# _____	See crystal package label.

**CAUTION:** Glass parts are fragile. To Avoid breakage use care when assembling or cleaning.

**2 MAKE SURE THAT POWER TO THE OUTLET BOX IS DISCONNECTED!!**

**3** Attach crossbar to outlet box.

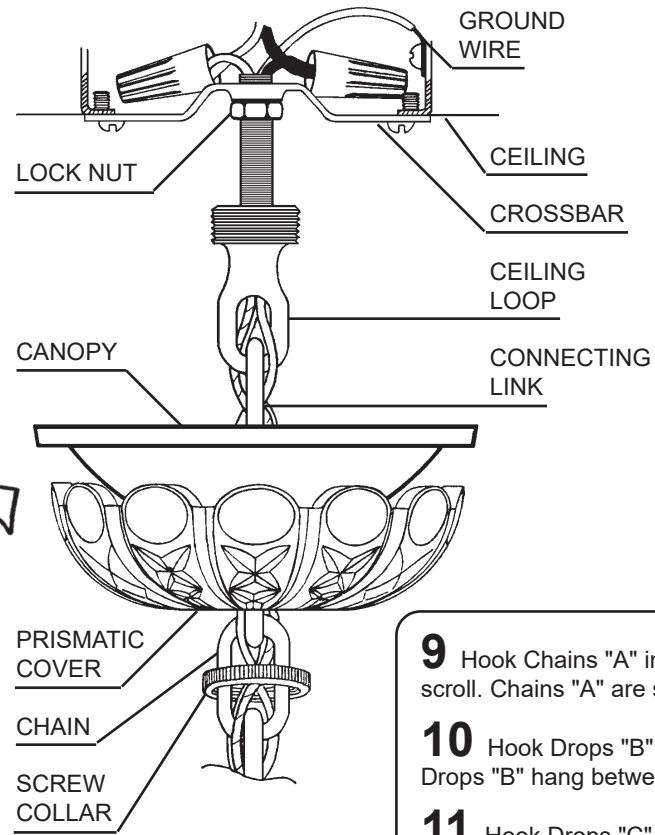
**4** Slip screw collar, canopy and prismatic cover over chain. Determine the suspension length of the fixture and cut chain, if necessary. Use two connecting links to attach chain to chandelier loop and ceiling loop.

**5** Insert stem wire through chain and ceiling loop. Connect wires. Fixture **MUST** be grounded.

**6** Check distance from ceiling to loop to assure canopy assembly will be flush against ceiling.

**7** Attach canopy to ceiling with screw collar.

**8** Screw bulbs into all sockets(s). Test power to insure proper wiring before hanging trim from fixture.



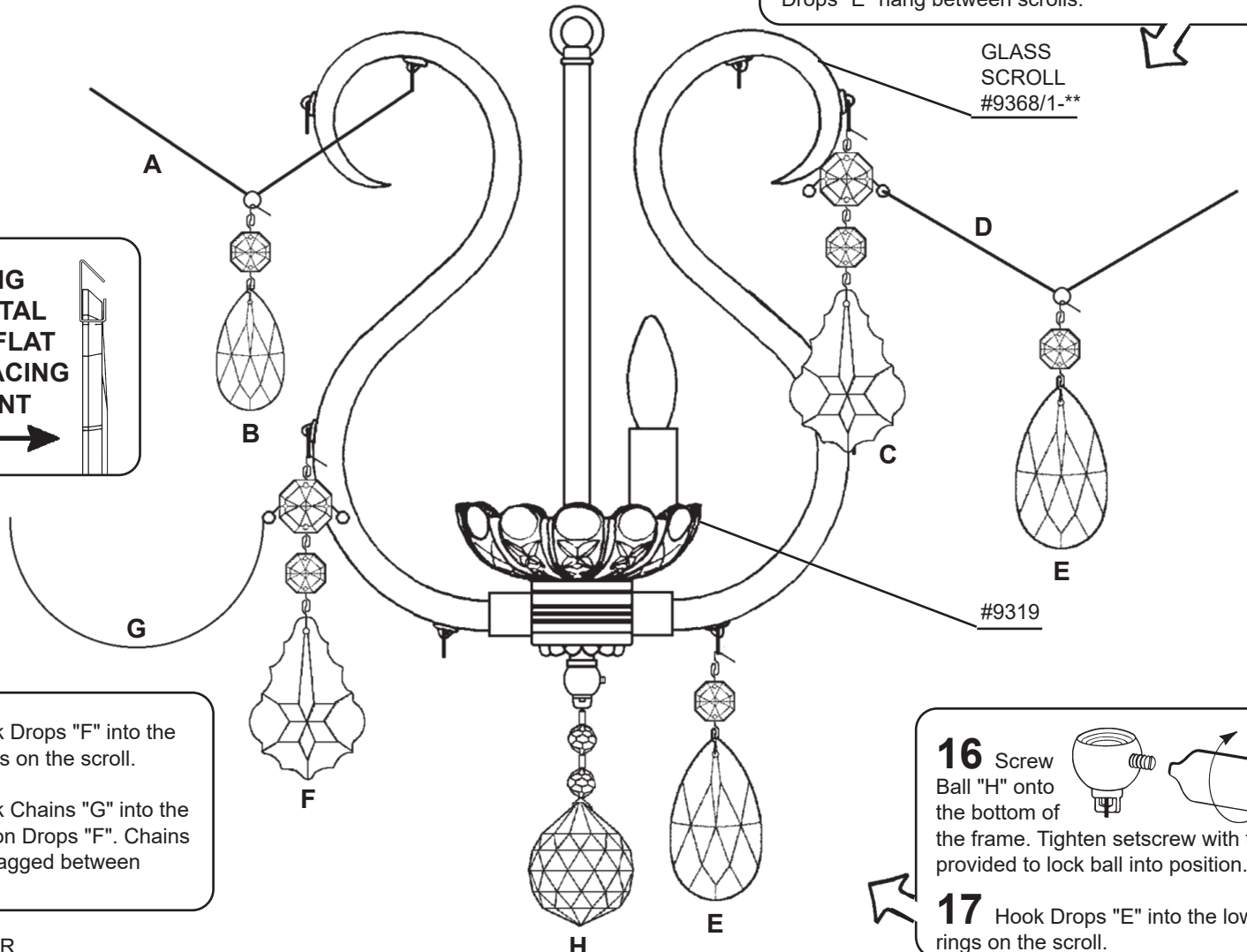
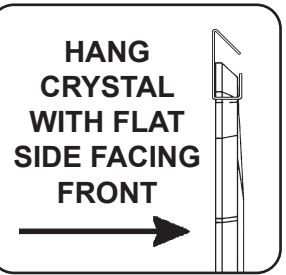
**9** Hook Chains "A" into the upper inside ring on the scroll. Chains "A" are swagged between scrolls.

**10** Hook Drops "B" into the rings on Chains "A". Drops "B" hang between scrolls.

**11** Hook Drops "C" into the outside ring on the scroll.

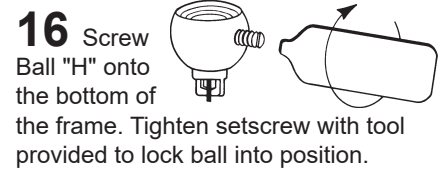
**12** Hook Chains "D" into the side rings on Drops "C". Chains "D" are swagged between Drops "C".

**13** Hook Drops "E" into the rings on Chains "D". Drops "E" hang between scrolls.



**14** Hook Drops "F" into the middle rings on the scroll.

**15** Hook Chains "G" into the side rings on Drops "F". Chains "G" are swagged between Drops "F".



**17** Hook Drops "E" into the lowest rings on the scroll.

# CHANDELIER 6809-\_\_\_\_S TRIM DIAGRAM

(Finish Option)



**T**HIS DESIGN IS THE PROPRIETARY TRADE DRESS/TRADEMARK OF W SCHONBEK LLC.

4 Lights  
Diameter: 11"  
Body Length: 17"



# SCHONBEK | 1870

**CAUTION... RISK OF ELECTRICAL SHOCK.** Make sure the electrical supply to the chandelier is turned off at the main fuse or circuit breaker before doing any installation. All electrical components must be installed by a licensed electrician in accordance with the National Electric Code and the appropriate local electrical codes.

HANGING WEIGHT: 10 lbs.

BULBS: (4) - Candle shaped candelabra base B10 bulbs, recommend 25 watts for best appearance.  
40 - Watts Maximum

**WARNING:** This chandelier meets UL/CSA requirements. Any tampering will void UL/CSA certification.

### MAINTENANCE:

Use a soft, lint free cloth to clean the metal frame.

**UNDER NO CIRCUMSTANCES SHOULD METAL POLISHES, CLEANERS, ABRASIVES OR AEROSOL SPRAYS BE USED.**

While the latest finishing techniques have been used on the metal frame, such finish cannot be unconditionally guaranteed. The main cause of deterioration, apart from certain atmospheric conditions, is improper cleaning.

To clean the crystals, polish with a damp chamois.

You are cleaning delicate crystal... Take the greatest care.

### IMPORTANT:

Do not clean crystals in a dishwasher. The finish of the metal clips and hangers will be ruined and the crystals may be damaged.

**1**

### IMPORTANT

**Please record the following information for future service.**

CODE	# _____	Four-digit number on outside of carton.
PACKER	# _____	See crystal package label.
ORDER	# _____	See crystal package label.

**CAUTION:** Glass parts are fragile. To Avoid breakage use care when assembling or cleaning.

**2 MAKE SURE THAT POWER TO THE OUTLET BOX IS DISCONNECTED!!**

**3** Attach crossbar to outlet box.

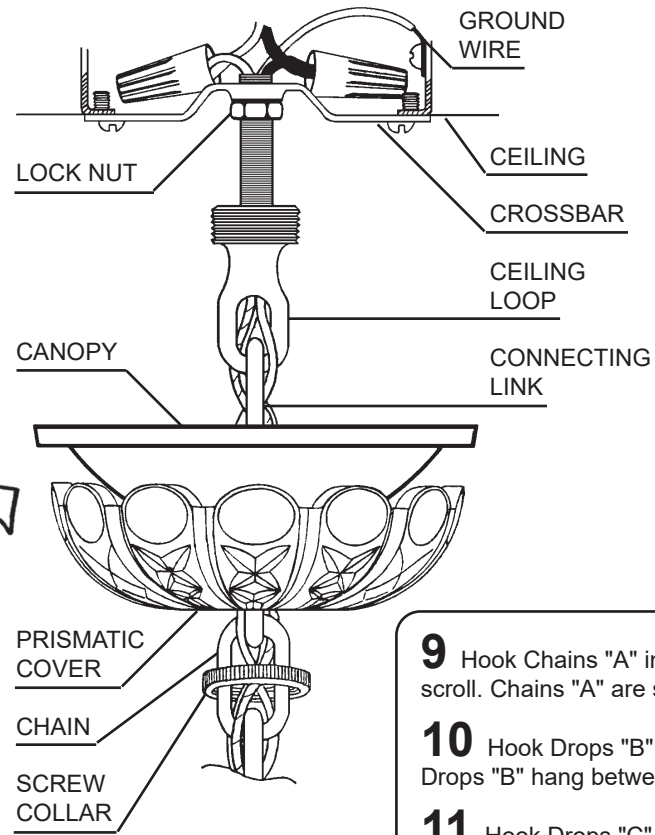
**4** Slip screw collar, canopy and prismatic cover over chain. Determine the suspension length of the fixture and cut chain, if necessary. Use two connecting links to attach chain to chandelier loop and ceiling loop.

**5** Insert stem wire through chain and ceiling loop. Connect wires. Fixture **MUST** be grounded.

**6** Check distance from ceiling to loop to assure canopy assembly will be flush against ceiling.

**7** Attach canopy to ceiling with screw collar.

**8** Screw bulbs into all sockets(s). Test power to insure proper wiring before hanging trim from fixture.



**9** Hook Chains "A" into the upper inside ring on the scroll. Chains "A" are swagged between scrolls.

**10** Hook Drops "B" into the rings on Chains "A". Drops "B" hang between scrolls.

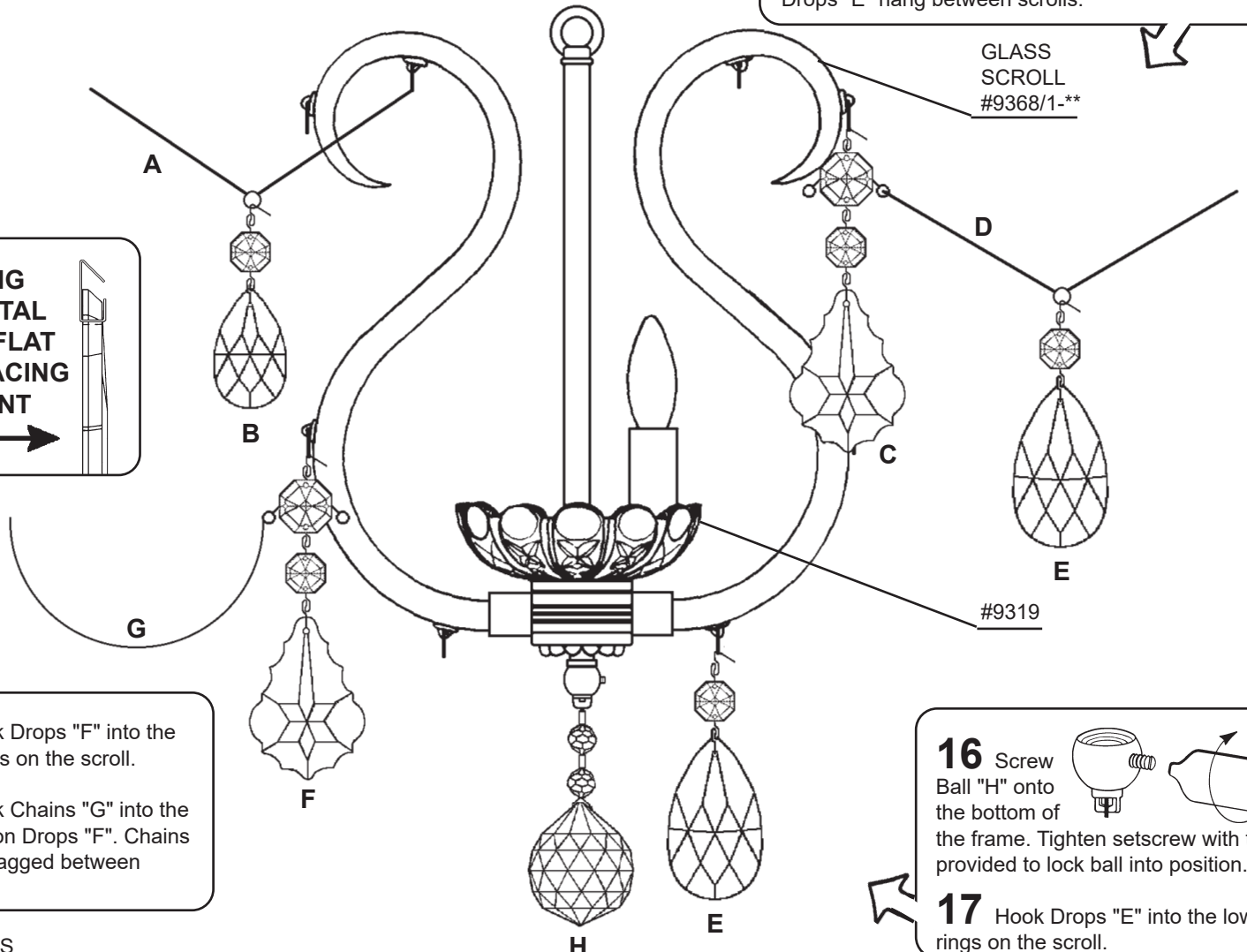
**11** Hook Drops "C" into the outside ring on the scroll.

**12** Hook Chains "D" into the side rings on Drops "C". Chains "D" are swagged between Drops "C".

**13** Hook Drops "E" into the rings on Chains "D". Drops "E" hang between scrolls.



**HANG CRYSTAL WITH FLAT SIDE FACING FRONT**



**14** Hook Drops "F" into the middle rings on the scroll.

**15** Hook Chains "G" into the side rings on Drops "F". Chains "G" are swagged between Drops "F".

**16** Screw Ball "H" onto the bottom of the frame. Tighten setscrew with tool provided to lock ball into position.

**17** Hook Drops "E" into the lowest rings on the scroll.