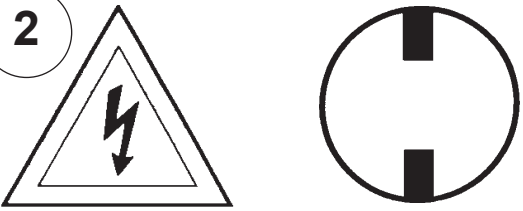


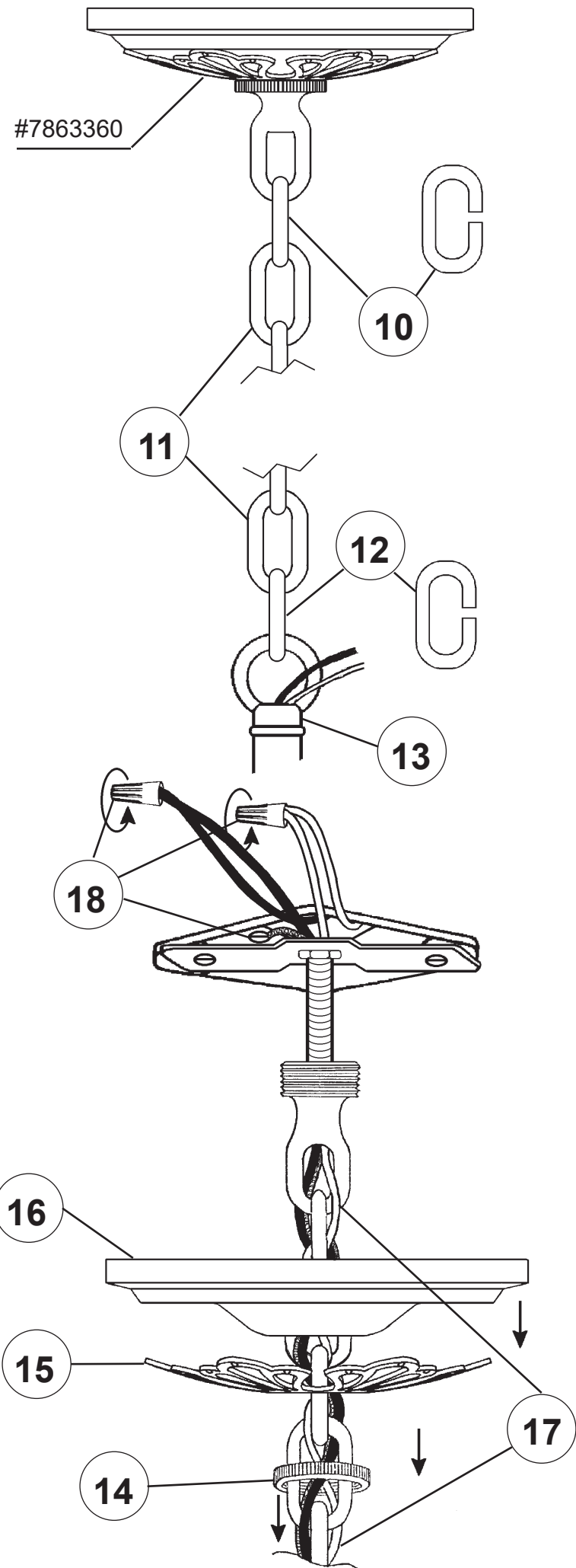
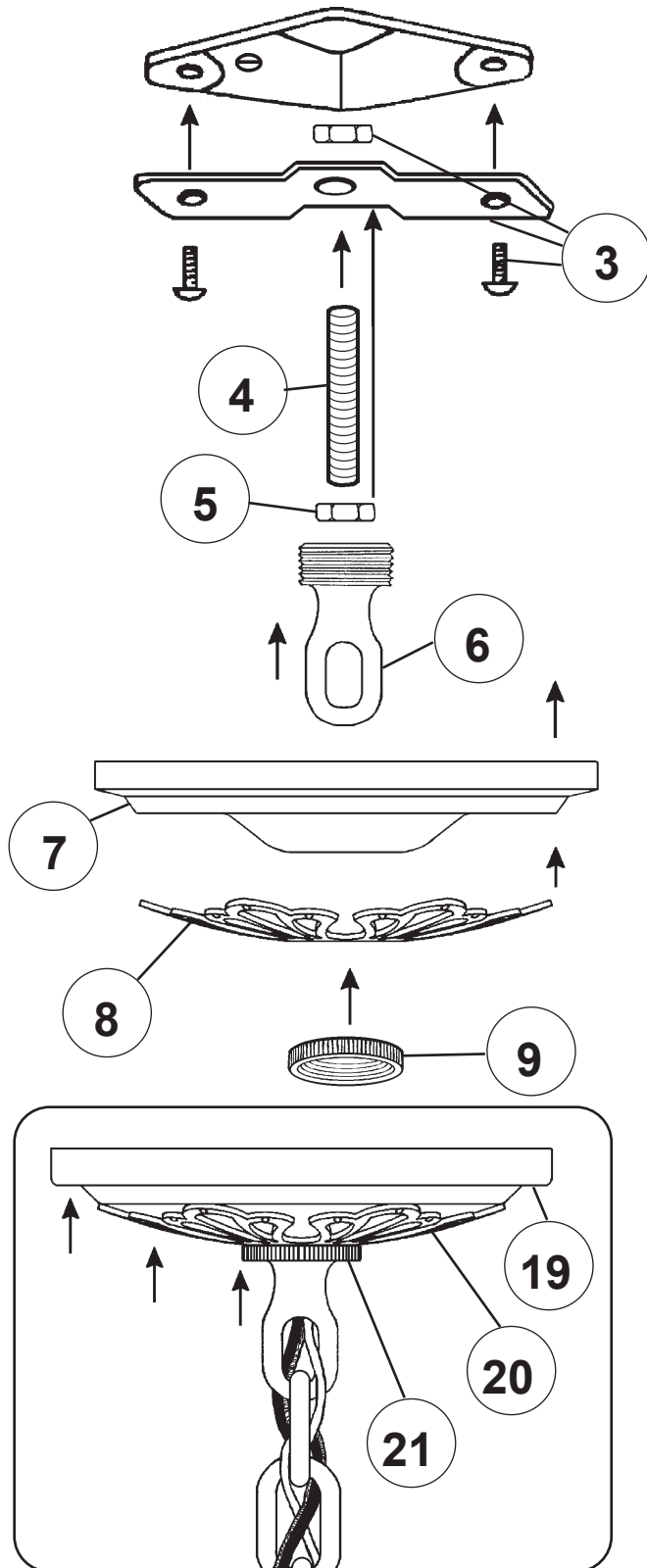
Instructions for electrician  
STEPS 2 - 21

WARNING:



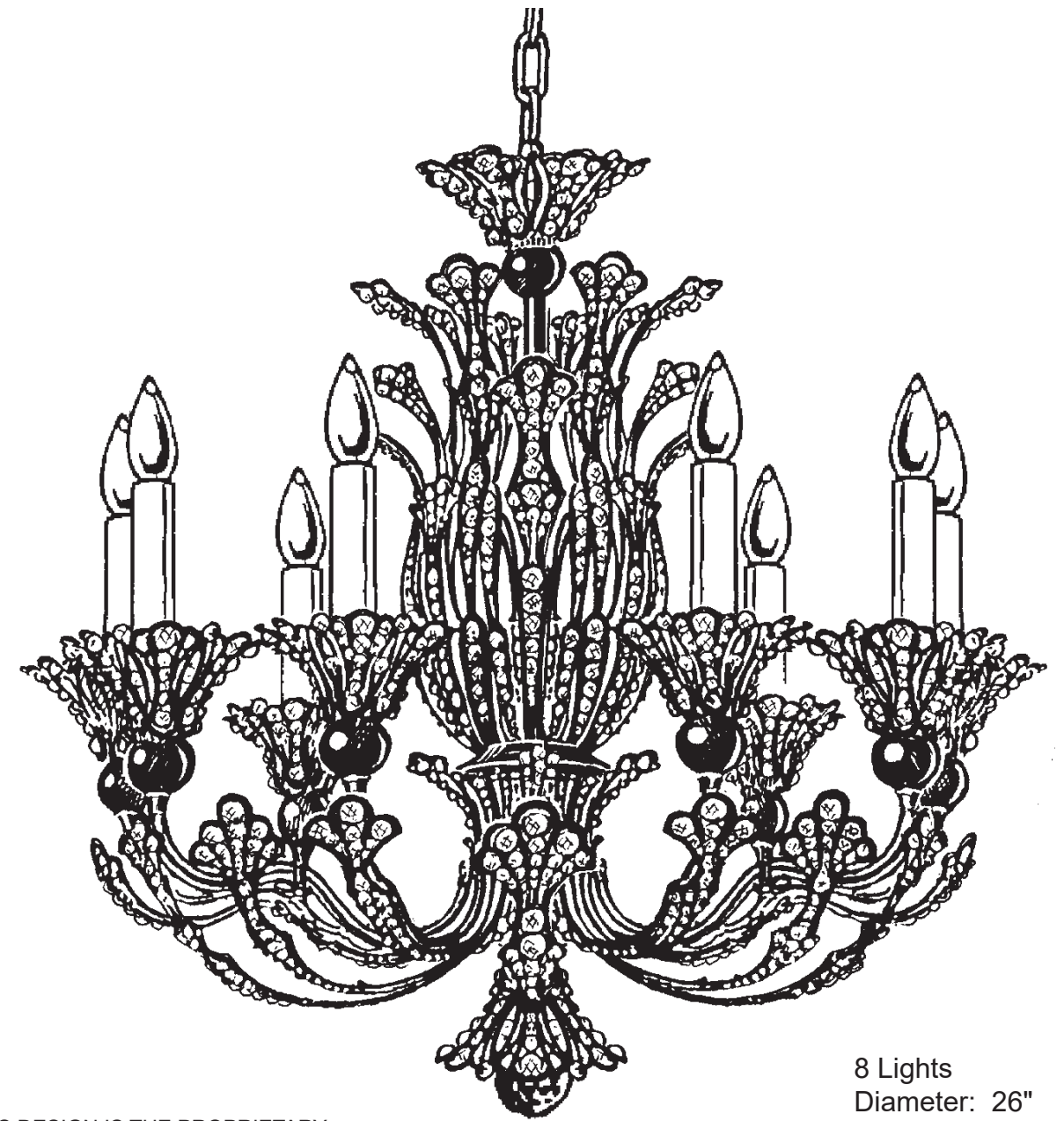
Electrical Danger Turn Power Off

All electrical components must be installed by a licensed electrician in accordance with the National Electric Code and the appropriate local electrical codes.



CHANDELIER 7866-\_\_\_\_R TRIM DIAGRAM

(Finish Option)



8 Lights  
Diameter: 26"  
Body Length: 23"  
Hanging Weight: 13 lbs.

THIS DESIGN IS THE PROPRIETARY TRADE DRESS/TRADEMARK OF W SCHONBEK LLC.



SCHONBEK 1870

See diagram on back page  
Follow steps in exact order  
Save this trim diagram for future reference

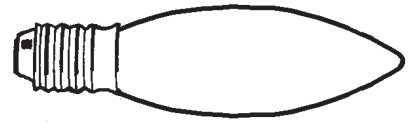
**1** IMPORTANT  
Person who opens carton should record the following information for future service.

CODE # \_\_\_\_\_ Four-digit number on outside of carton.  
PACKER # \_\_\_\_\_ See crystal package label.  
ORDER # \_\_\_\_\_ See crystal package label.



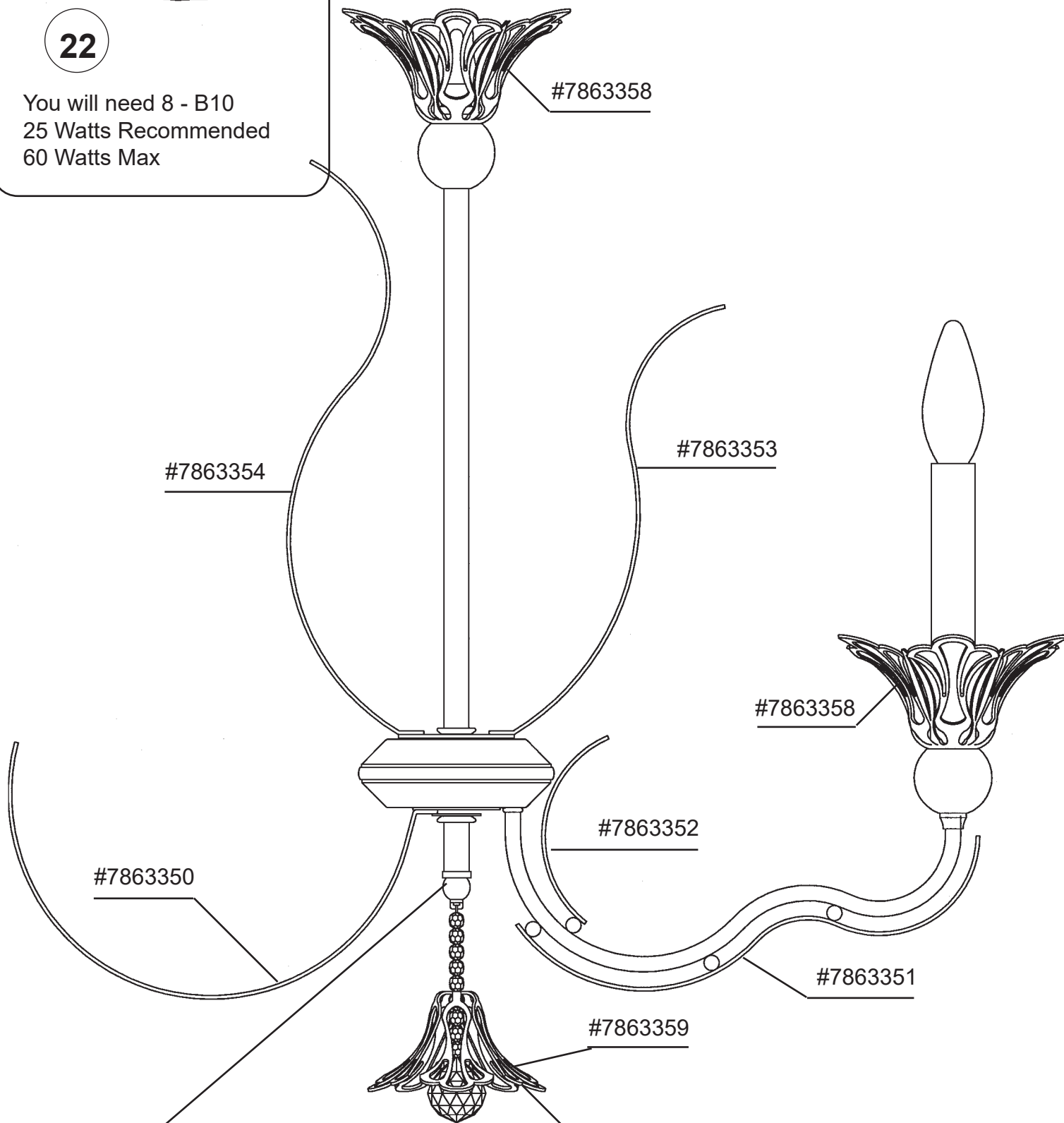
# Instructions for crystal trimming

## STEPS 22 - 24



22

You will need 8 - B10  
25 Watts Recommended  
60 Watts Max



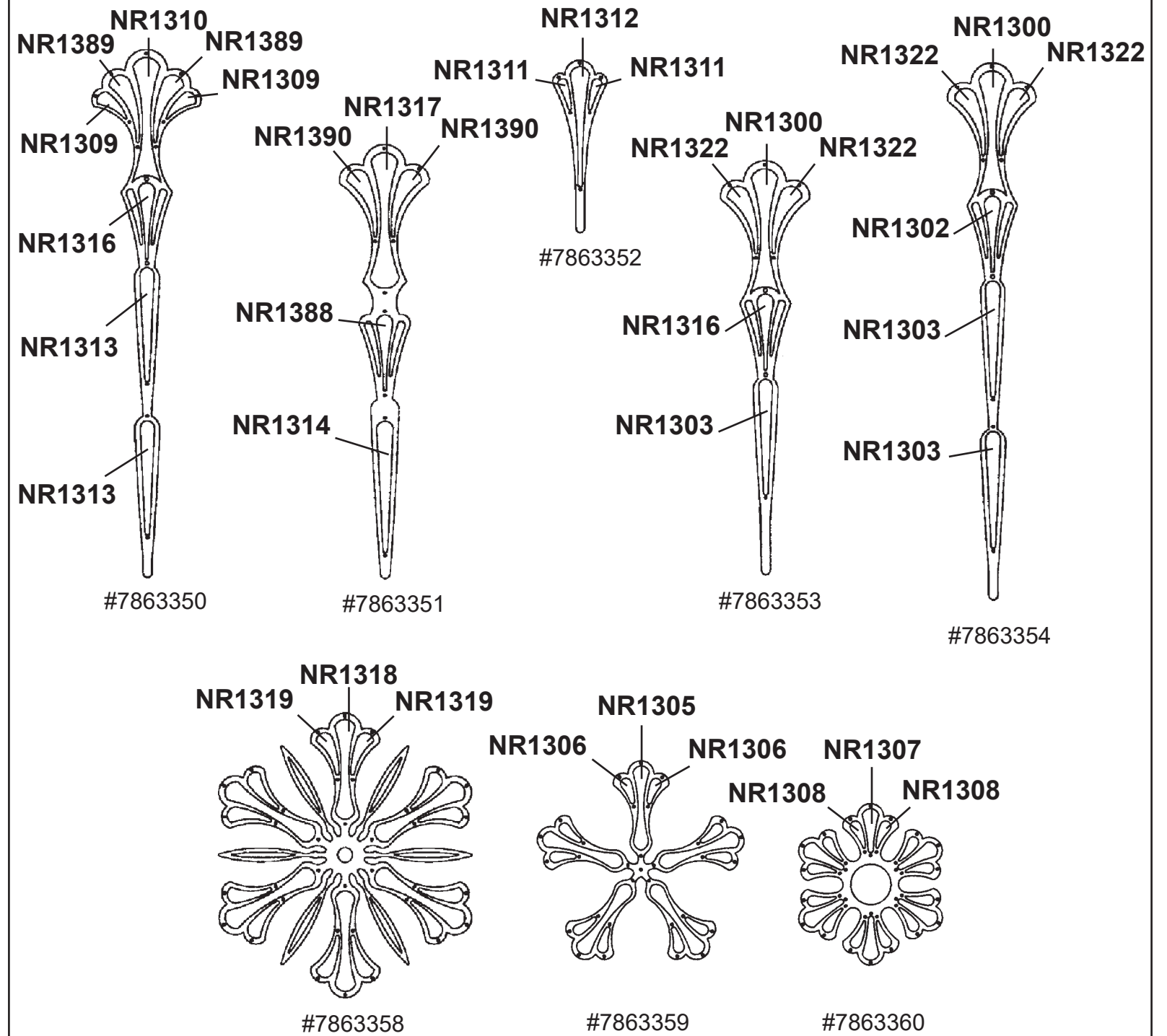
24



23

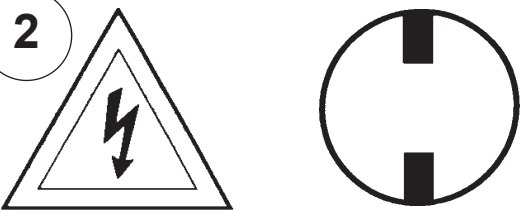
NR21864-\*\*

## PART NUMBERS FOR SPARE PARTS



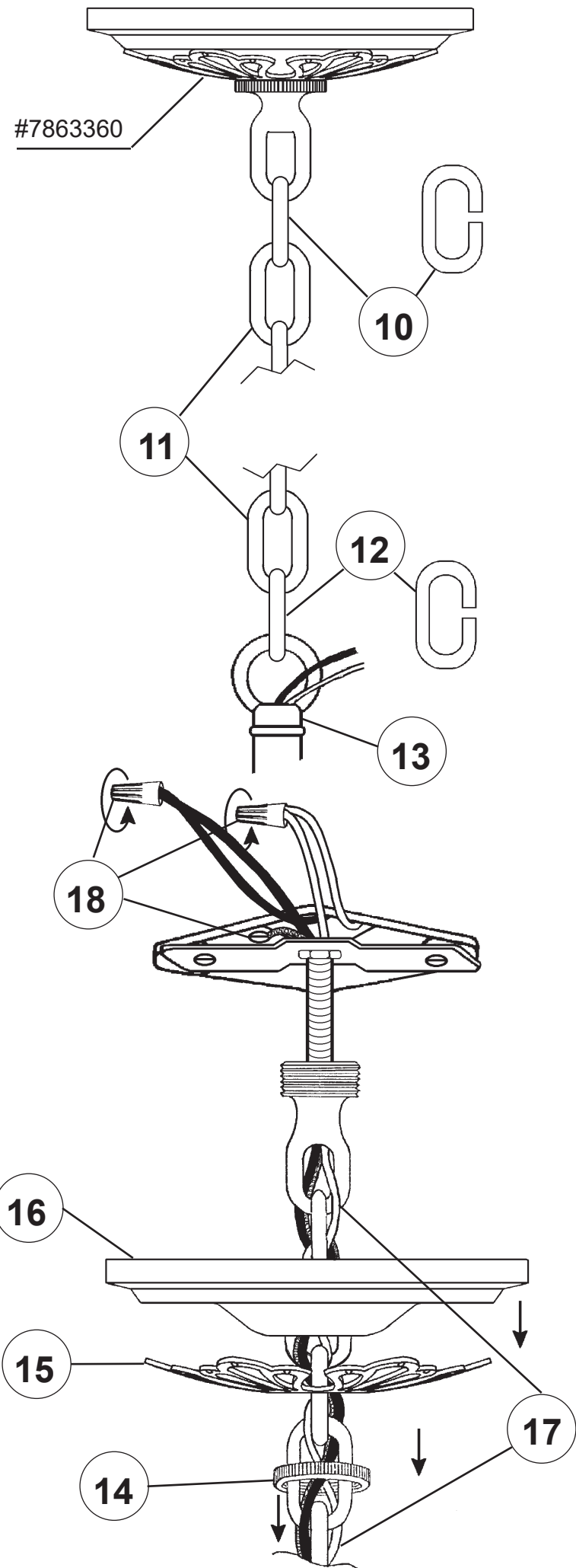
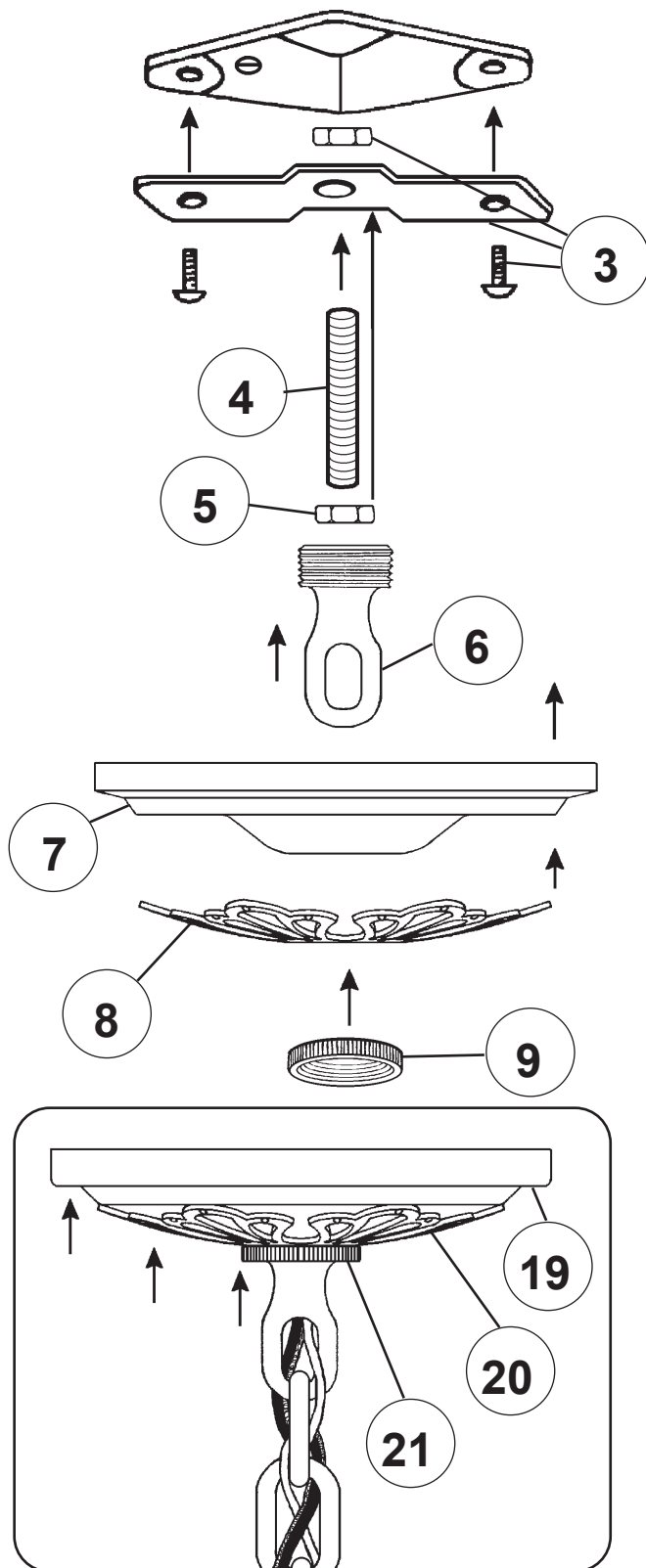
Instructions for electrician  
STEPS 2 - 21

WARNING:



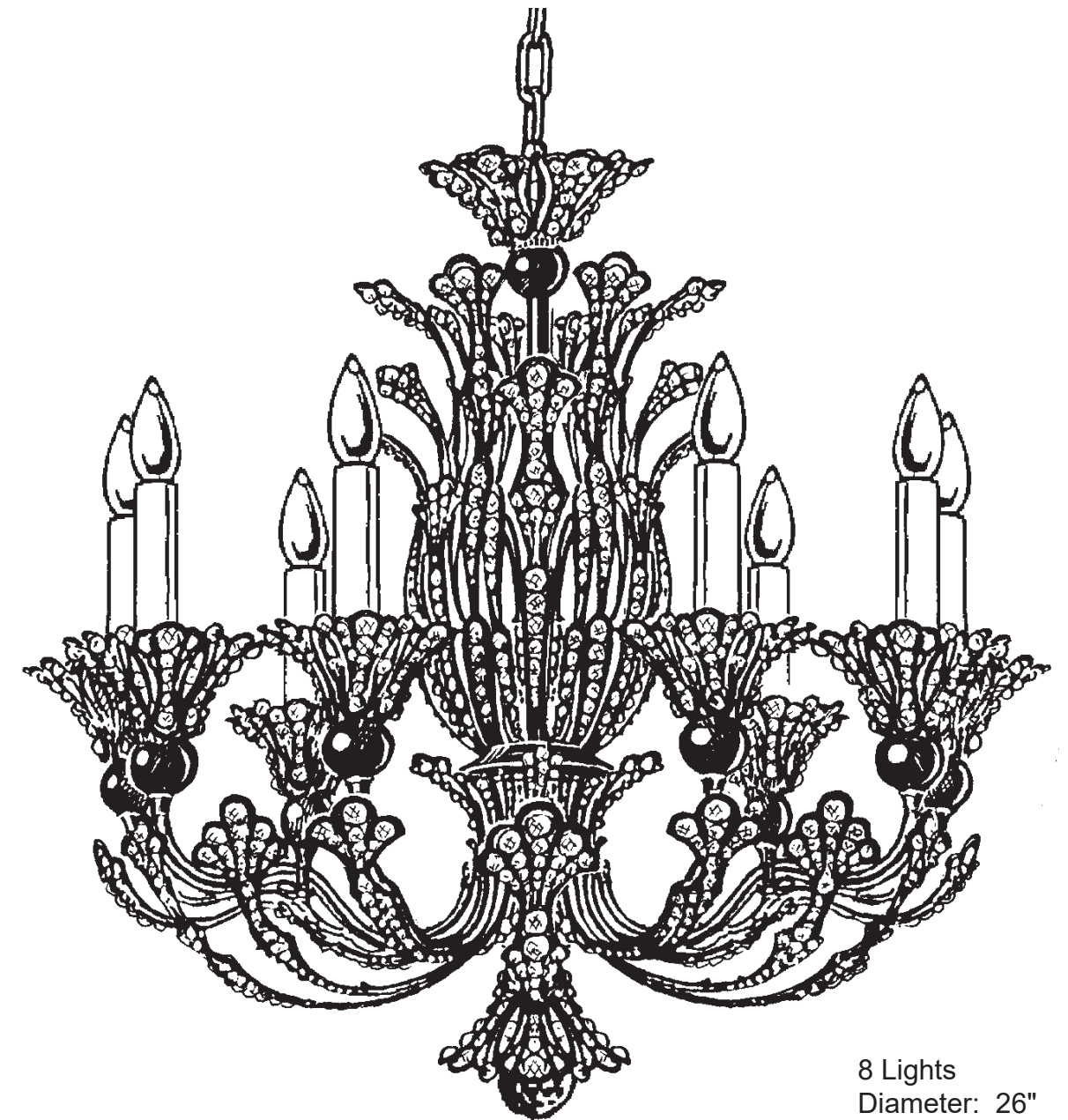
Electrical Danger Turn Power Off

All electrical components must be installed by a licensed electrician in accordance with the National Electric Code and the appropriate local electrical codes.



CHANDELIER 7866-\_\_\_ \_\_ S TRIM DIAGRAM

(Finish Option)



8 Lights  
Diameter: 26"  
Body Length: 23"  
Hanging Weight: 13 lbs.

THIS DESIGN IS THE PROPRIETARY TRADE DRESS/TRADEMARK OF W SCHONBEK LLC.



SCHONBEK 1870

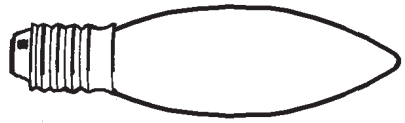
See diagram on back page  
Follow steps in exact order  
Save this trim diagram for future reference

**1** IMPORTANT  
Person who opens carton should record the following information for future service.

CODE # \_\_\_\_\_ Four-digit number on outside of carton.  
PACKER # \_\_\_\_\_ See crystal package label.  
ORDER # \_\_\_\_\_ See crystal package label.

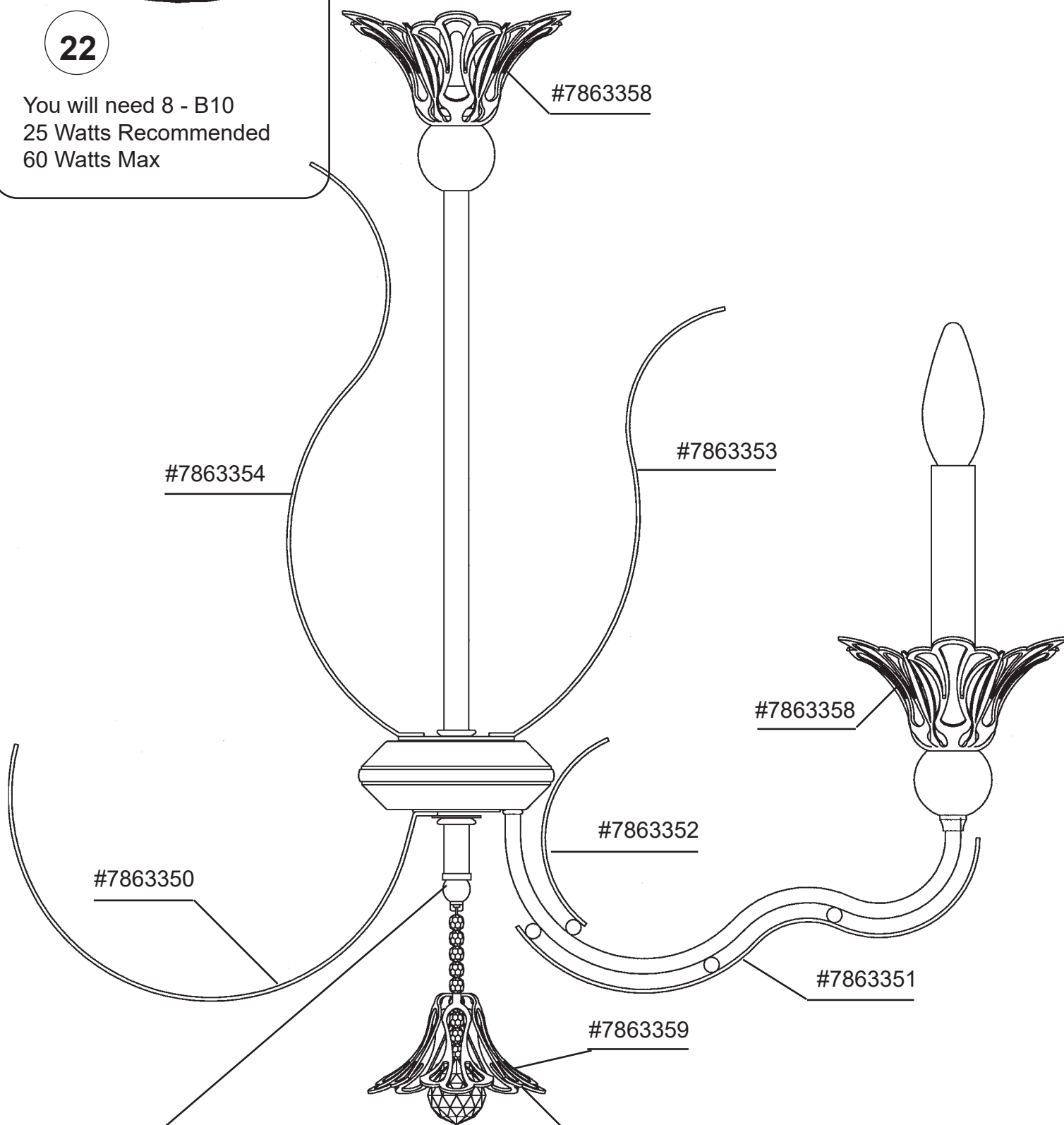


**Instructions for crystal trimming**  
**STEPS 22 - 24**



**22**

You will need 8 - B10  
25 Watts Recommended  
60 Watts Max



**24**



**23**

**N233**

**PART NUMBERS FOR SPARE PARTS**

