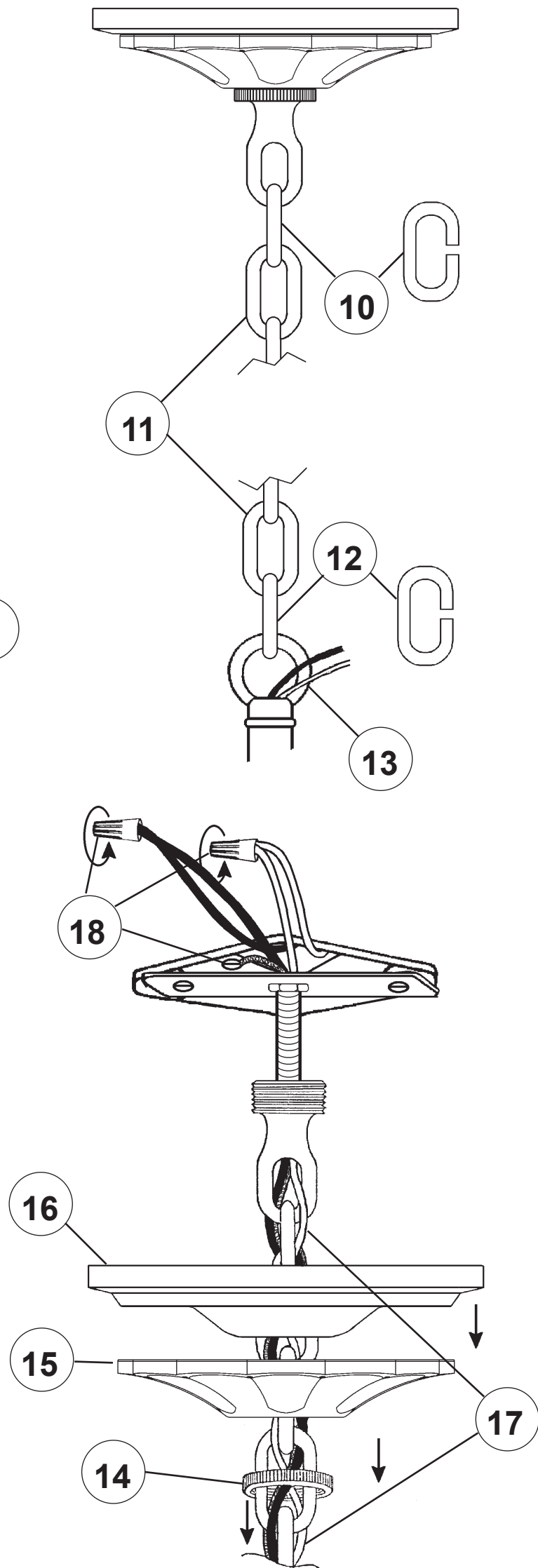
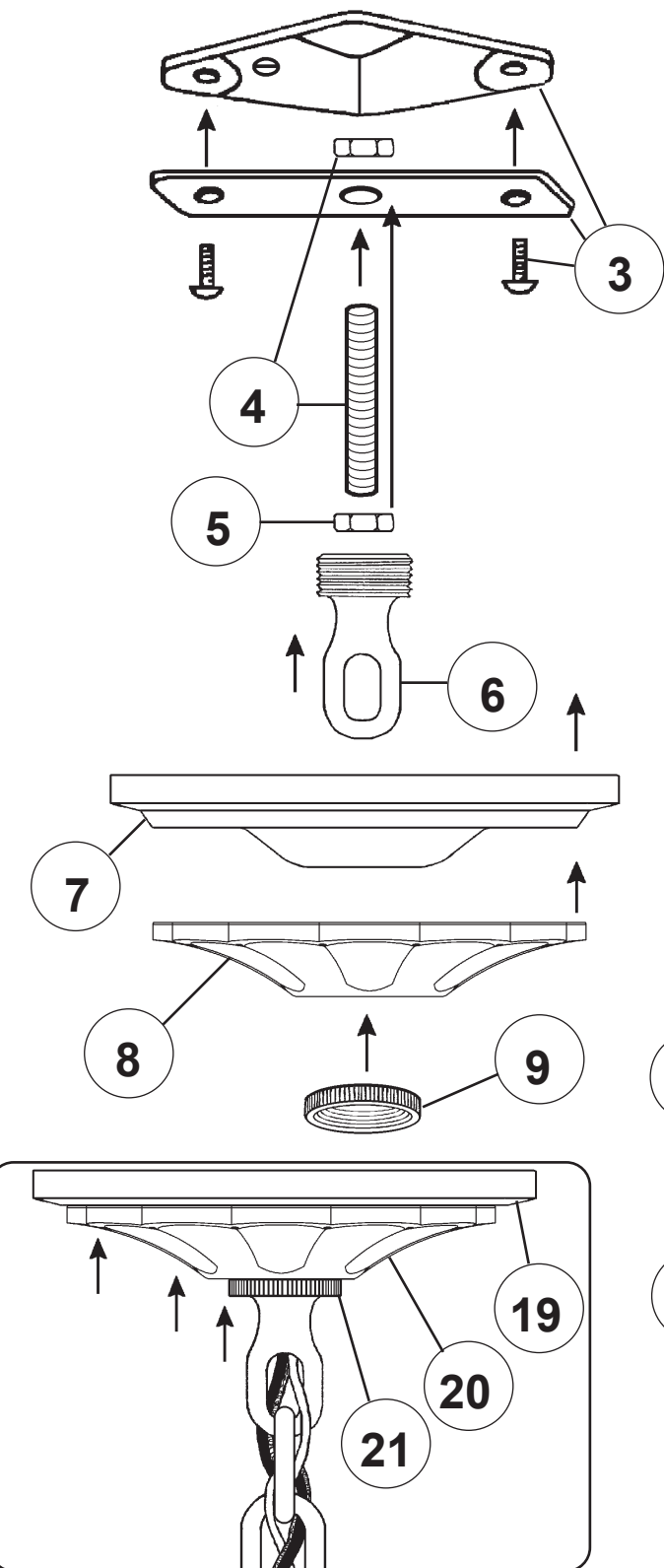


Instructions for electrician
STEPS 2 - 21

2 **WARNING:**

Electrical Danger **Turn Power Off**

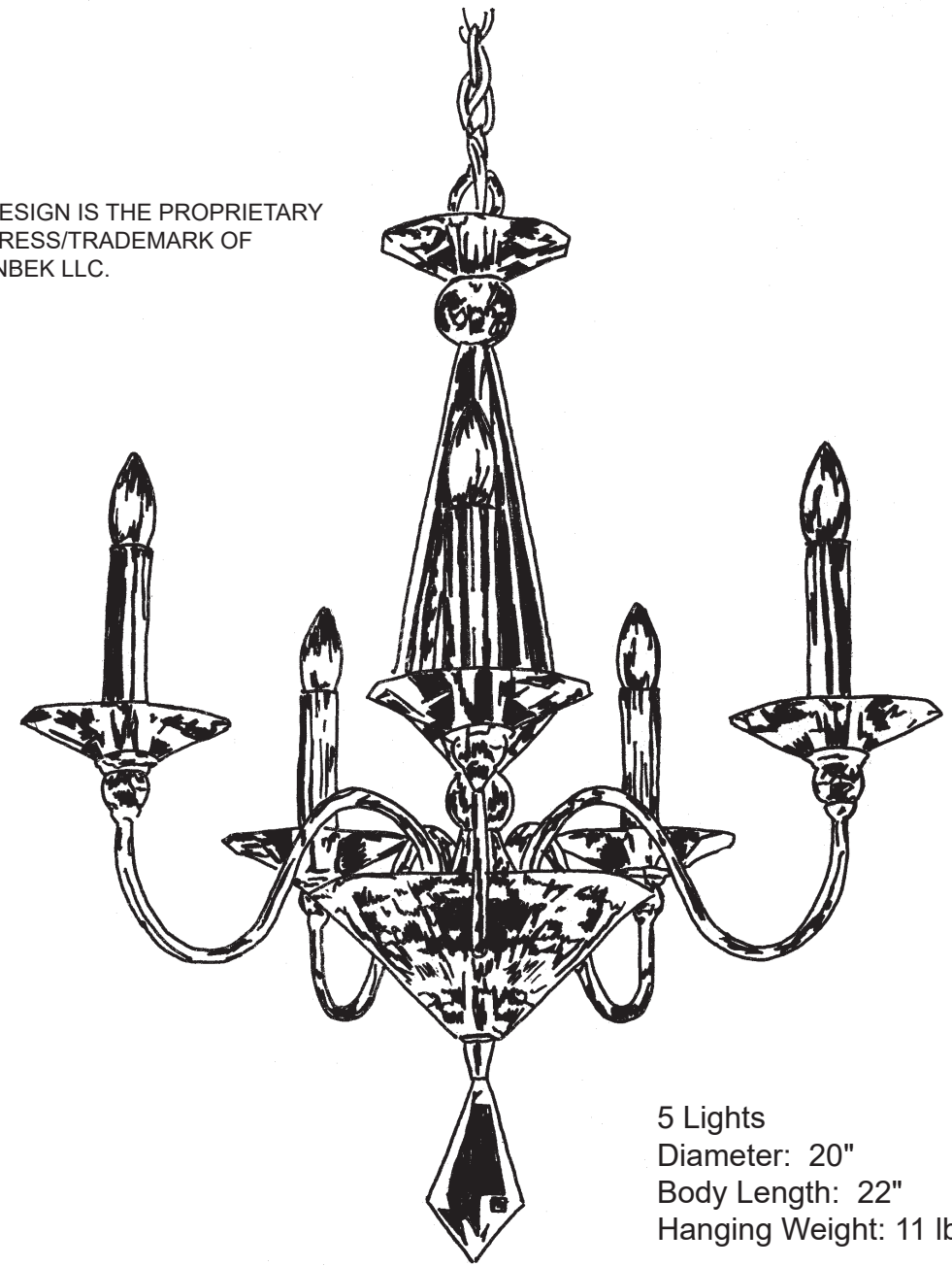
All electrical components must be installed by a licensed electrician in accordance with the National Electric Code and the appropriate local electrical codes.



CHANDELIER 9675- _____ TRIM DIAGRAM

(Finish Option) (Trim Option)

THIS DESIGN IS THE PROPRIETARY TRADE DRESS/TRADEMARK OF W SCHONBEK LLC.



5 Lights
Diameter: 20"
Body Length: 22"
Hanging Weight: 11 lbs.



SCHONBEK | 1870


See diagram on back page
Follow steps in exact order
Save this trim diagram for future reference

1 **IMPORTANT**
Person who opens carton should record the following information for future service.

CODE # _____	Four-digit number on outside of carton.
PACKER # _____	See crystal package label.
ORDER # _____	See crystal package label.



Instructions for crystal trimming
STEPS 22 - 26



26
You will need 5 - B10
25 Watts Recommended
60 Watts Max

Install bulbs and be sure
to test fixture **BEFORE**
trimming.

