


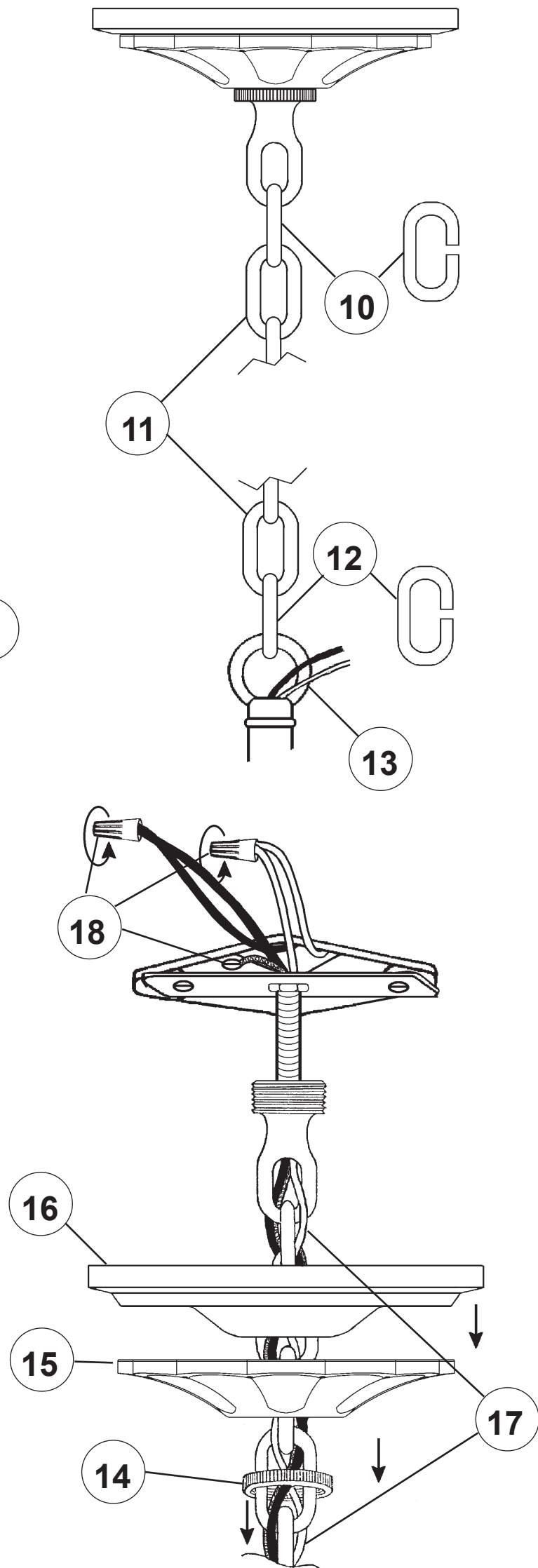
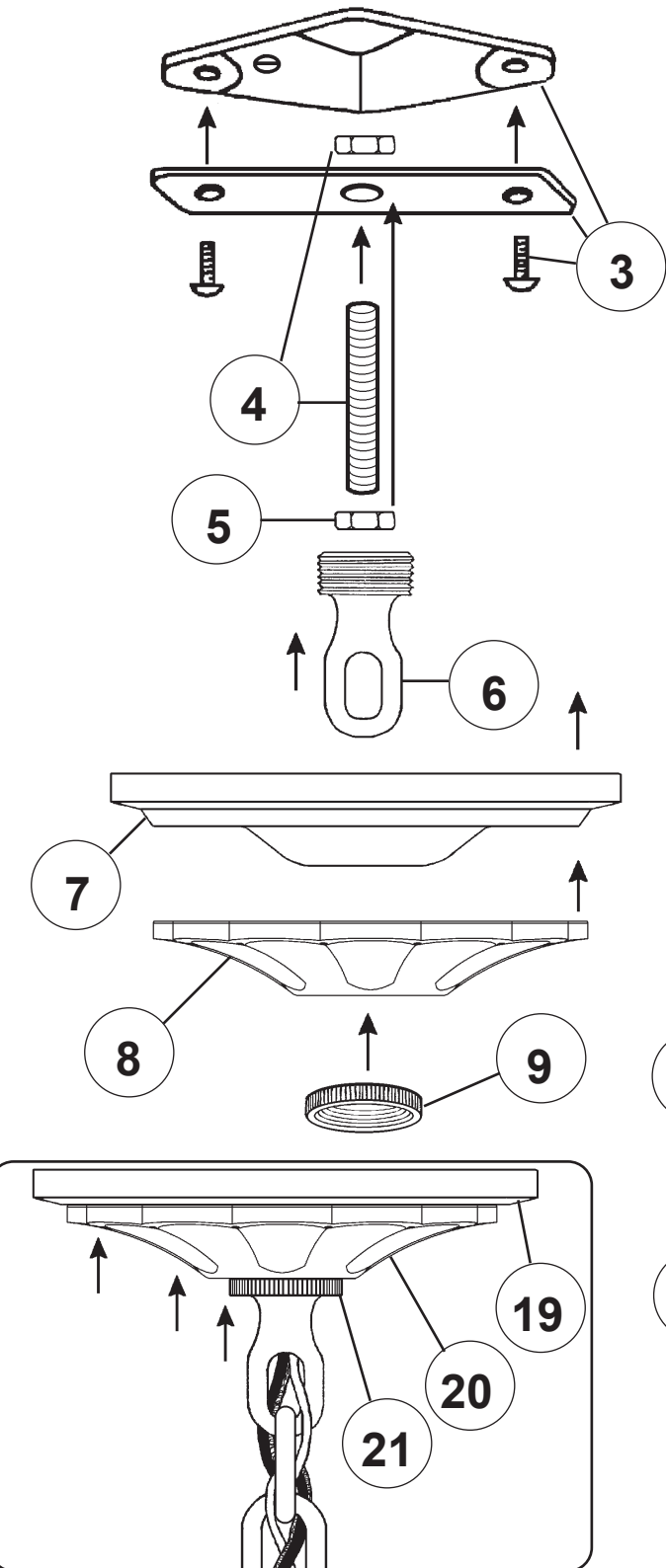
Instructions for electrician
STEPS 2 - 21

2 **WARNING:**



Electrical Danger **Turn Power Off**

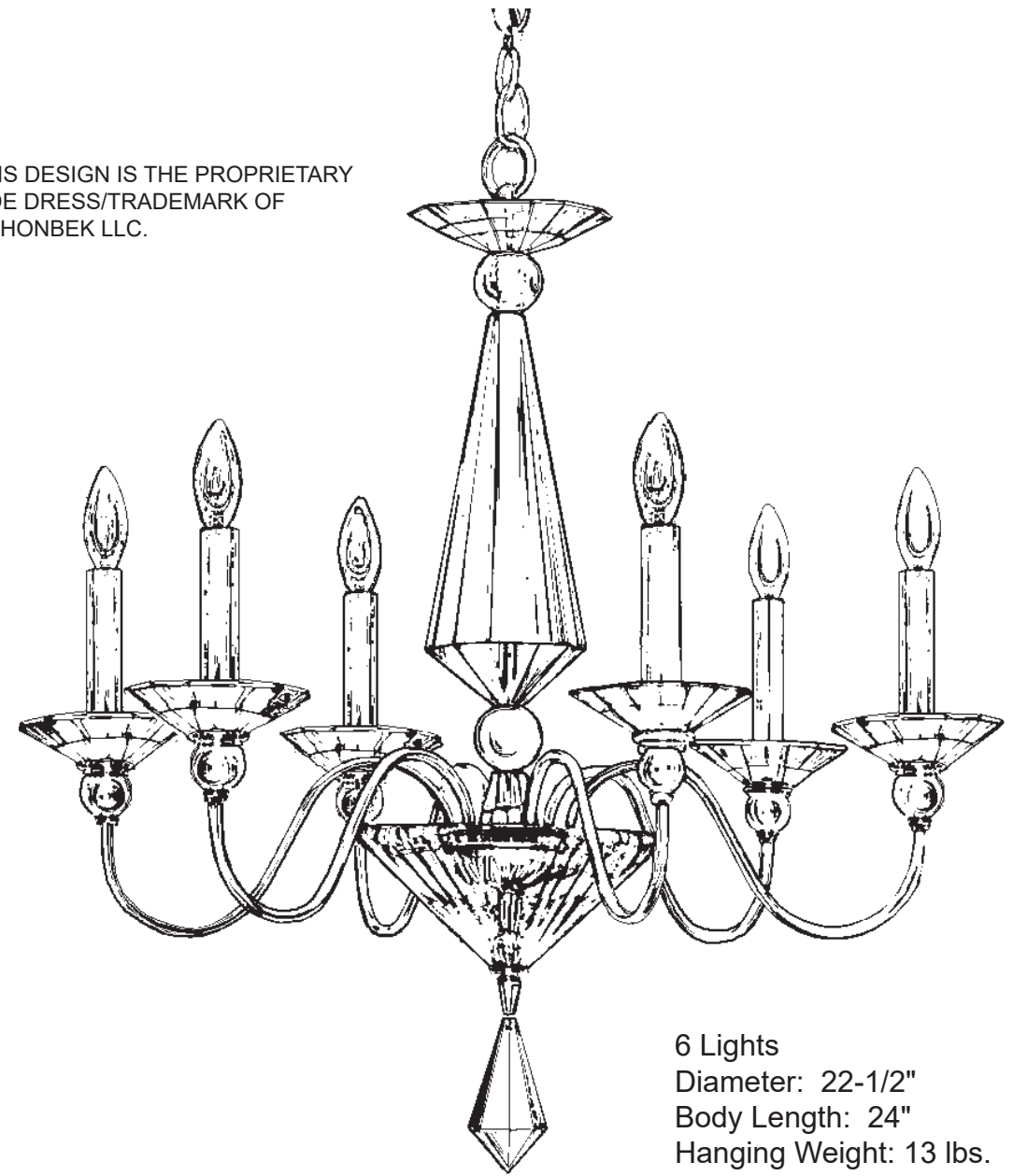
All electrical components must be installed by a licensed electrician in accordance with the National Electric Code and the appropriate local electrical codes.



CHANDELIER 9676-_____ TRIM DIAGRAM

(Finish Option) (Trim Option)

THIS DESIGN IS THE PROPRIETARY TRADE DRESS/TRADEMARK OF W SCHONBEK LLC.



6 Lights
Diameter: 22-1/2"
Body Length: 24"
Hanging Weight: 13 lbs.



SCHONBEK | 1870

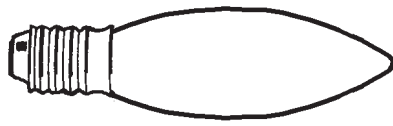
See diagram on back page
Follow steps in exact order
Save this trim diagram for future reference

1 **IMPORTANT**
Person who opens carton should record the following information for future service.

CODE # _____ Four-digit number on outside of carton.
PACKER # _____ See crystal package label.
ORDER # _____ See crystal package label.



Instructions for crystal trimming
STEPS 22 - 26



26

You will need 6 - B10
25 Watts Recommended
60 Watts Max

**Install bulbs and be sure
to test fixture BEFORE
trimming.**

