


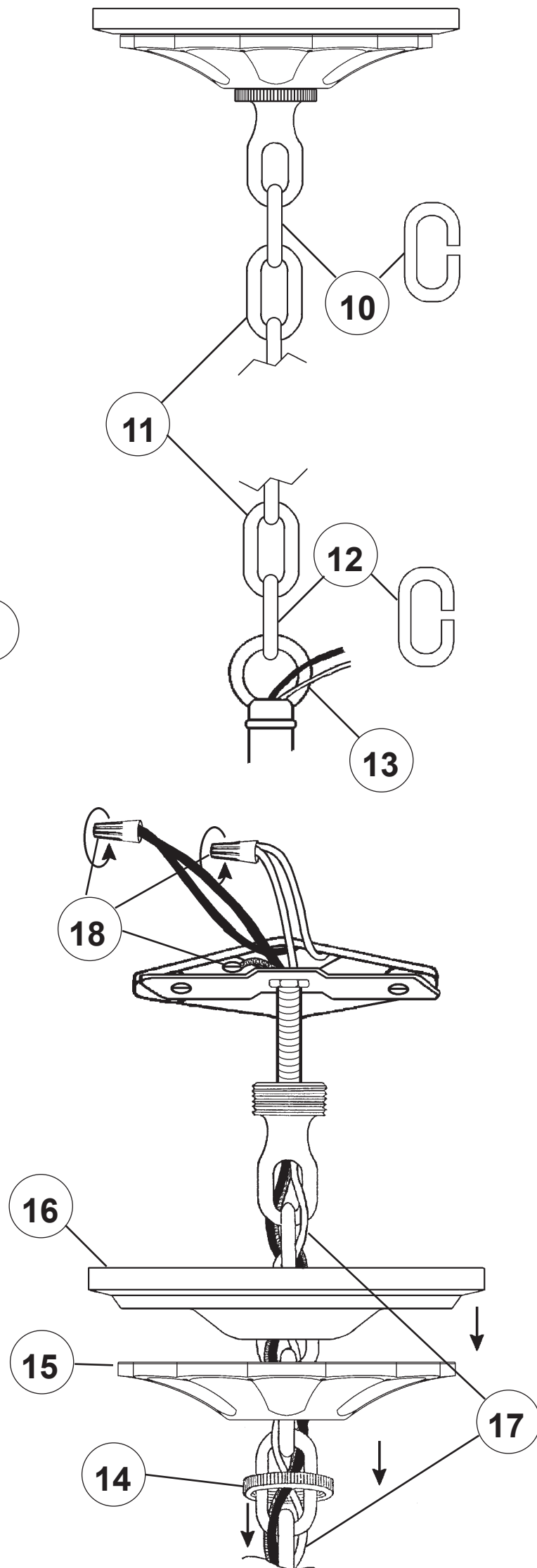
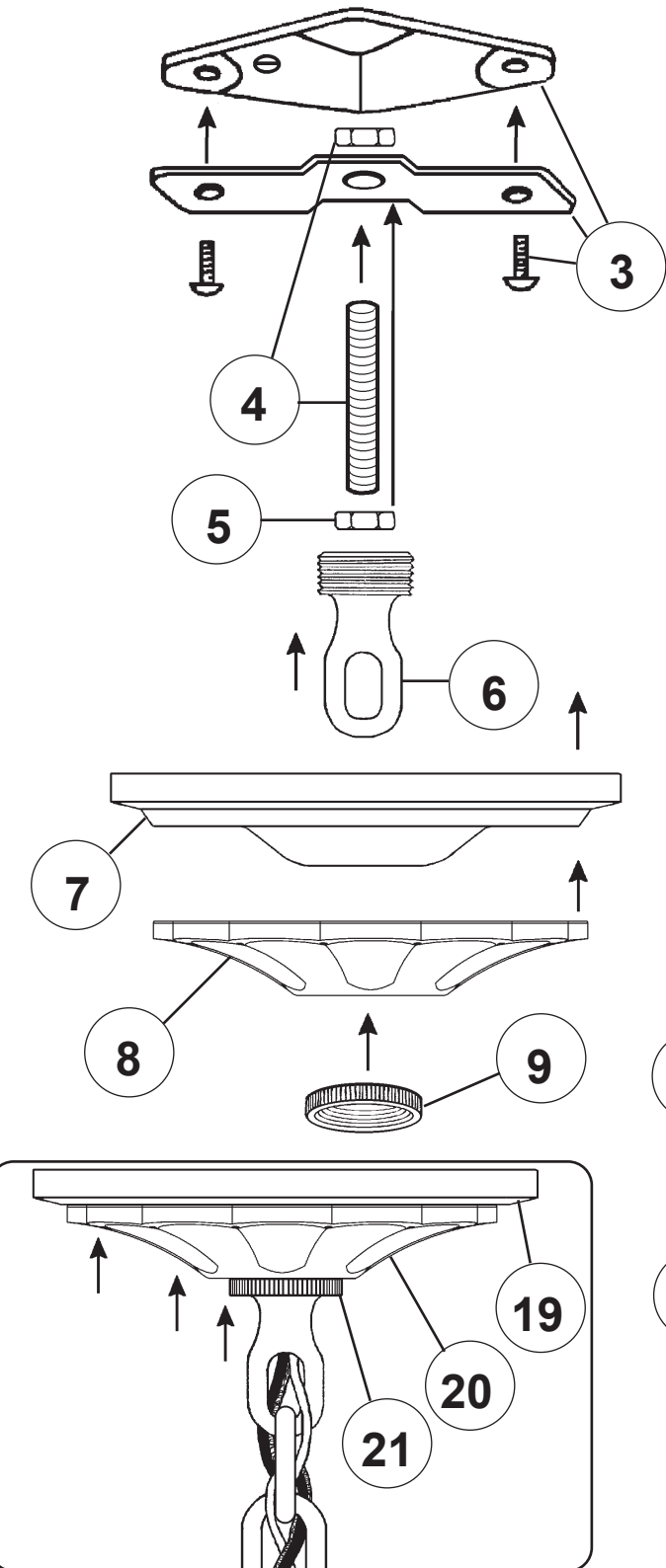
Instructions for electrician
STEPS 2 - 21

2 **WARNING:**



Electrical Danger Turn Power Off

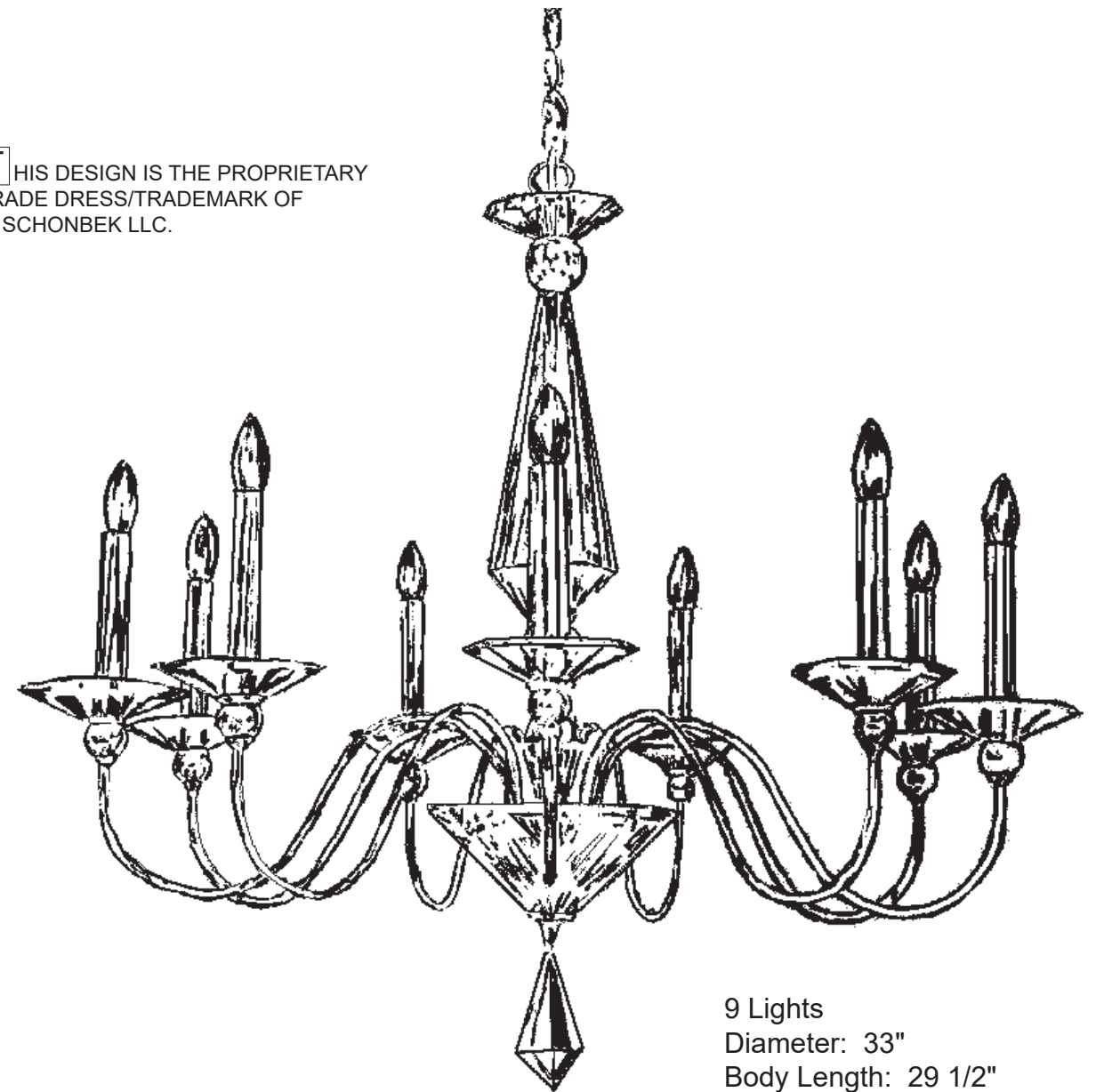
All electrical components must be installed by a licensed electrician in accordance with the National Electric Code and the appropriate local electrical codes.



CHANDELIER 9679-_____ TRIM DIAGRAM

(Finish Option) (Trim Option)

THIS DESIGN IS THE PROPRIETARY TRADE DRESS/TRADEMARK OF W SCHONBEK LLC.



9 Lights
Diameter: 33"
Body Length: 29 1/2"
Hanging Weight: 21 lbs.



See diagram on back page
Follow steps in exact order
Save this trim diagram for future reference

1 **IMPORTANT**
Person who opens carton should record the following information for future service.

CODE # _____	Four-digit number on outside of carton.
PACKER # _____	See crystal package label.
ORDER # _____	See crystal package label.



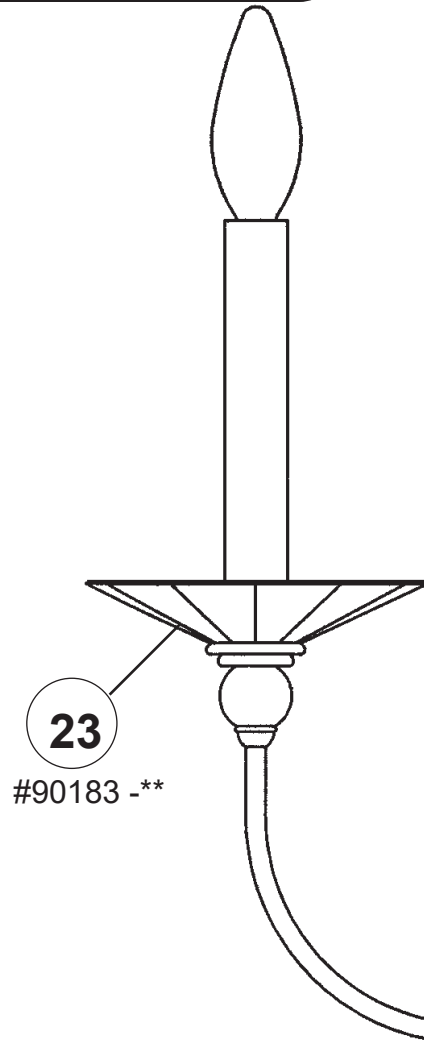
Instructions for crystal trimming

STEPS 22 - 26

26

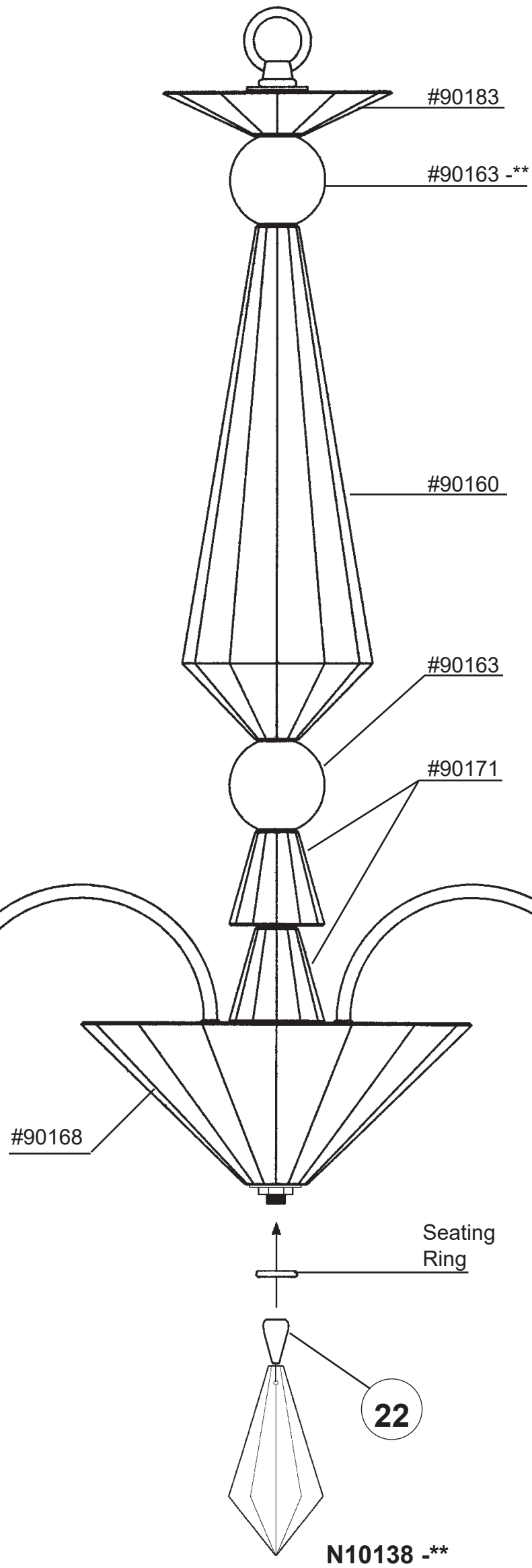
You will need 9 - B10
25 Watts Recommended
60 Watts Max

**Install bulbs and be
sure to test fixture
BEFORE trimming.**



23

#90183 -**



#90183

#90163 -**

#90160

#90163

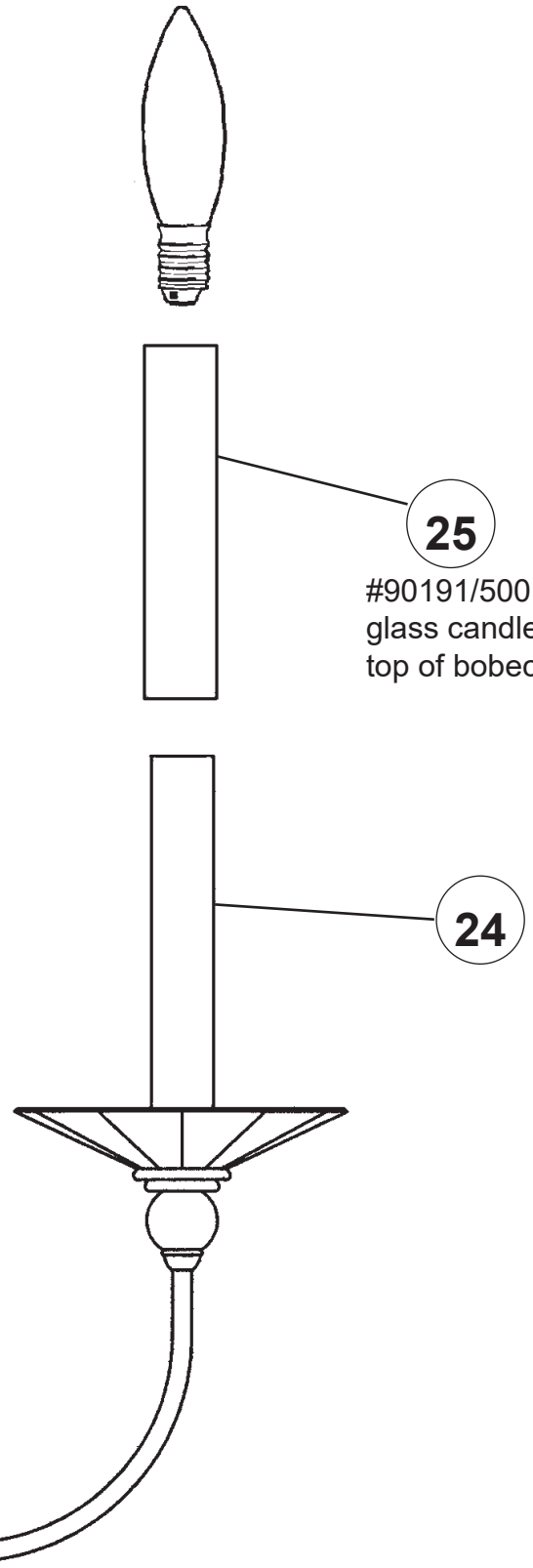
#90171

#90168

Seating
Ring

22

N10138 -**



25

#90191/500
glass candle slip sits on
top of bobèche 90183 -**

24