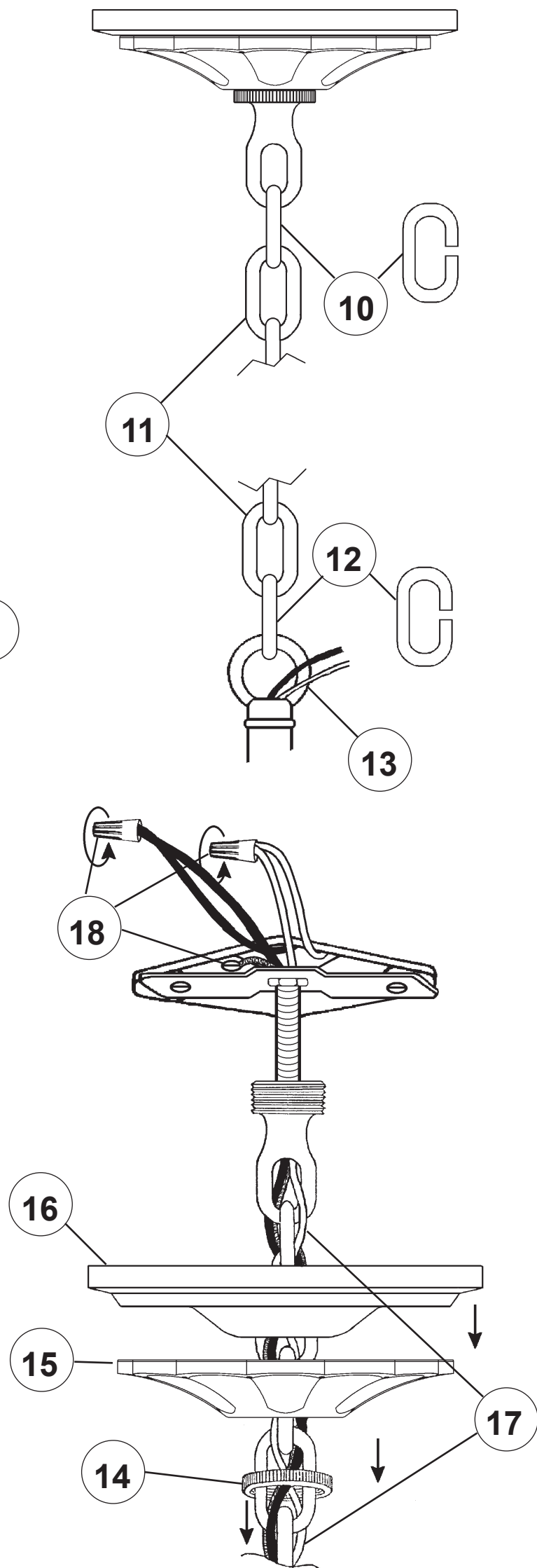
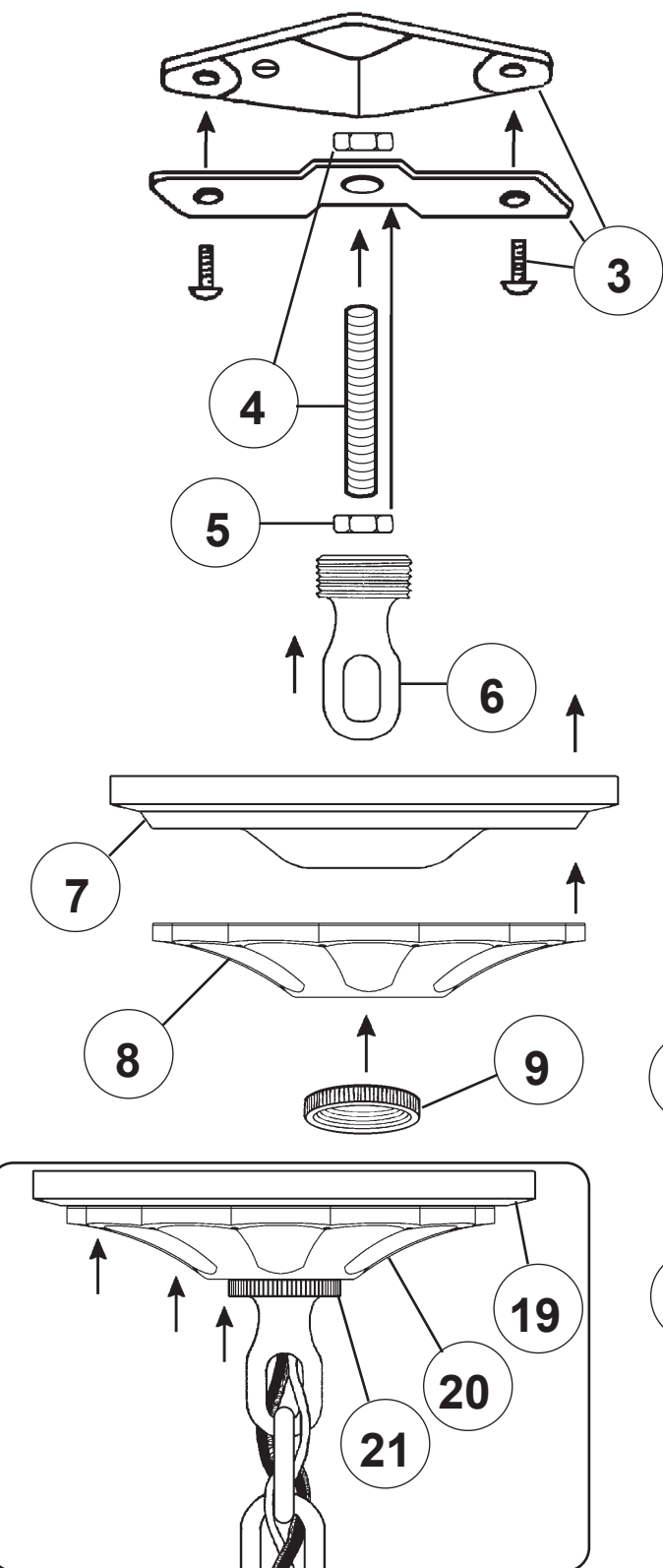


**Instructions for electrician**  
**STEPS 2 - 21**

**2** **WARNING:**

**Electrical Danger**    **Turn Power Off**

All electrical components must be installed by a licensed electrician in accordance with the National Electric Code and the appropriate local electrical codes.



**CHANDELIER 9685-\_\_\_\_\_ TRIM DIAGRAM**

(Finish Option) (Trim Option)



15 Lights  
Diameter: 36"  
Body Length: 37-1/2"  
Hanging Weight: 31 lbs.

**T**HIS DESIGN IS THE PROPRIETARY TRADE DRESS/TRADEMARK OF W SCHONBEK LLC.



**SCHONBEK** | 1870


**See diagram on back page**  
**Follow steps in exact order**  
**Save this trim diagram for future reference**

**1** **IMPORTANT**  
*Person who opens carton should record the following information for future service.*

CODE # _____	Four-digit number on outside of carton.
PACKER # _____	See crystal package label.
ORDER # _____	See crystal package label.



**Instructions for crystal trimming**  
**STEPS 22 - 26**



**26**

You will need 15 - B10  
 25 Watts Recommended  
 60 Watts Max

**Install bulbs and be sure  
 to test fixture BEFORE  
 trimming.**

