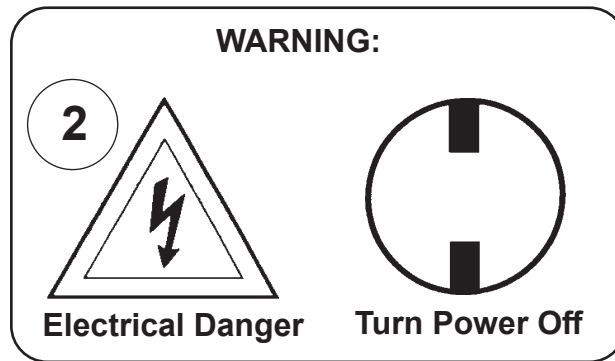


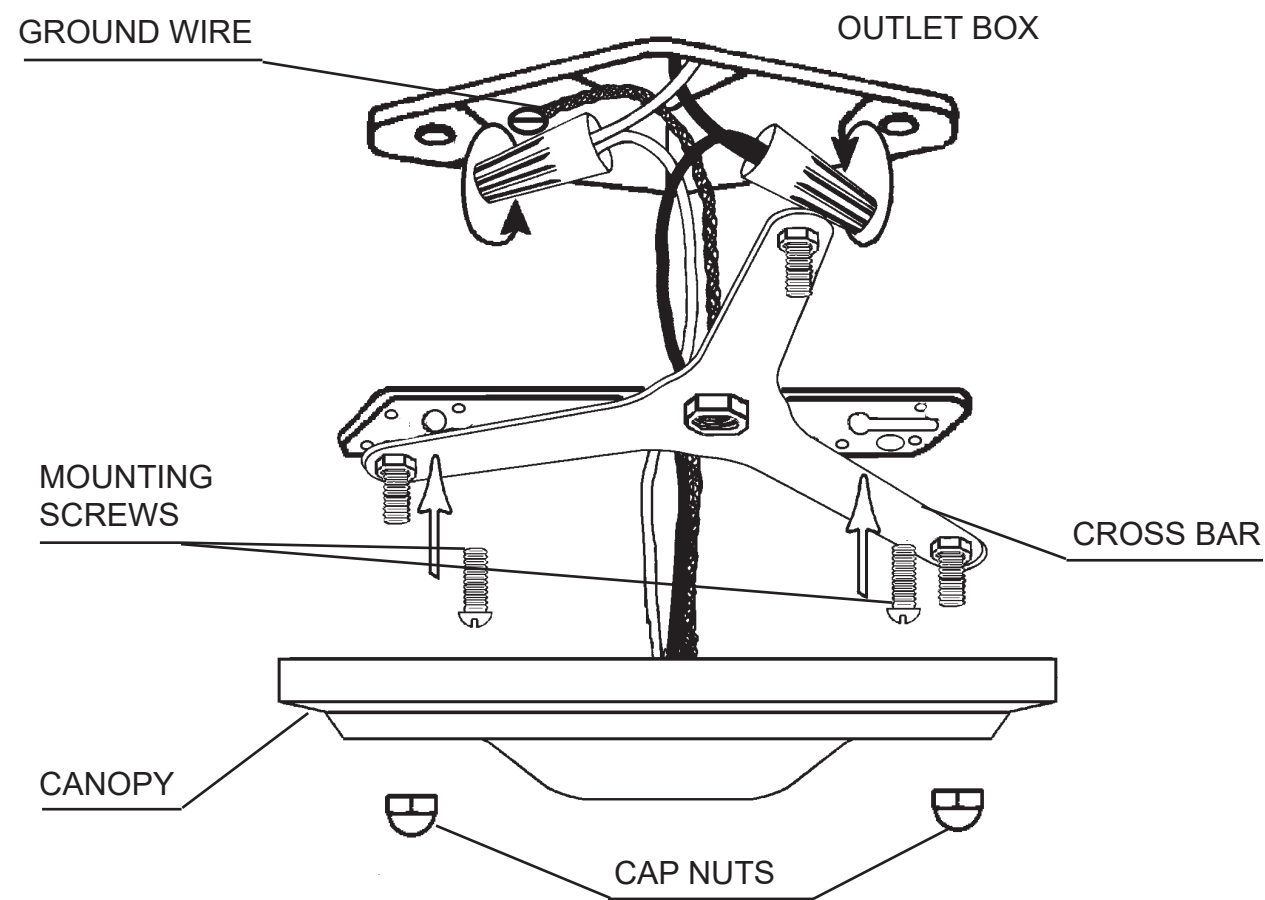
CHANDELIER 9841-____R TRIM DIAGRAM

(Finish Option)

Instructions for electrician STEPS 2 - 6



All electrical components must be installed by a licensed electrician in accordance with the National Electric Code and the appropriate local electrical codes.



- 3** Attach crossbars to outlet box.
- 4** Again, make sure that power to the outlet box is disconnected. Attach stem wires to power wires in outlet box. Fixture **MUST** be properly grounded.
- 5** Attach canopy to ceiling with cap nuts, thereby retaining complete fixture against ceiling.
- 6** Screw bulbs into all sockets. Test power to insure proper wiring before hanging trim from fixture.



THIS DESIGN IS THE PROPRIETARY TRADE DRESS/TRADEMARK OF W SCHONBEK LLC.

5 Lights
Diameter: 15"
Body Length: 10-1/2"
Hanging Weight: 5 lbs.



SCHONBEK | 1870

**See diagram on back page
Follow steps in exact order
Save this trim diagram for future reference**

1

IMPORTANT

Person who opens carton should record the following information for future service.

CODE # _____ Four-digit number on outside of carton.
PACKER # _____ See crystal package label.
ORDER # _____ See crystal package label.

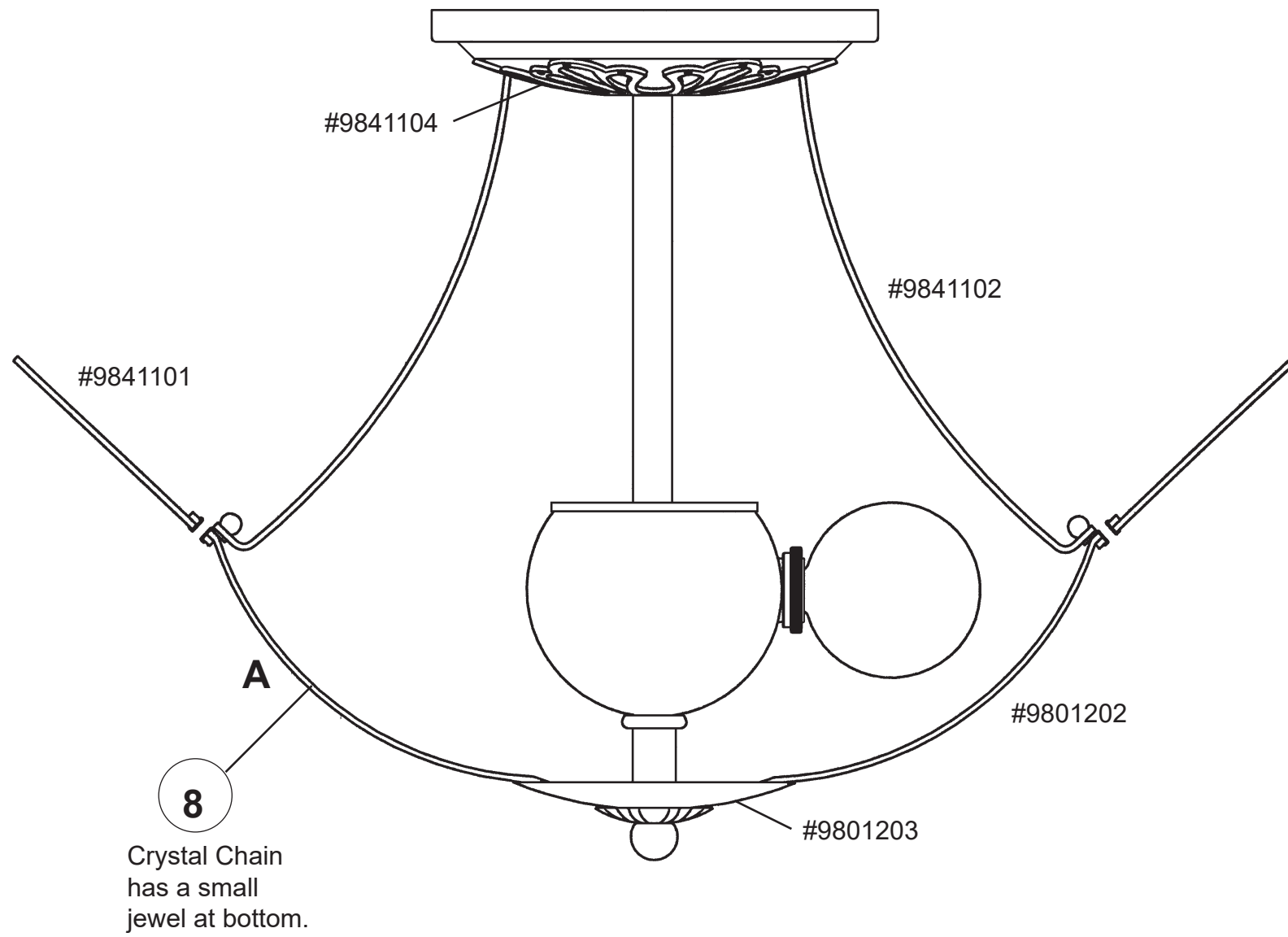
Instructions for crystal trimming

STEPS 7 - 8

7



You will need 5 - G16-1/2
25 Watts Recommended
25 Watts Max
MIN 90°C SUPPLY
CONDUCTORS



PART NUMBERS FOR SPARE PARTS

