

# HELENIA AT1006N-\_\_ \_\_H













6 Lights  
Diameter: 28"  
Height: 30"  
Hanging Weight: 18lbs.

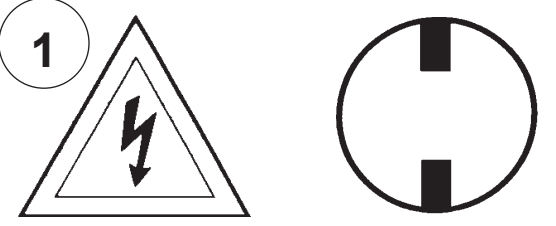
**T**HIS DESIGN IS THE PROPRIETARY  
TRADE DRESS/TRADEMARK OF  
W SCHONBEK LLC.

 **SCHONBEK** | 1870

 **SCHONBEK** | 1870

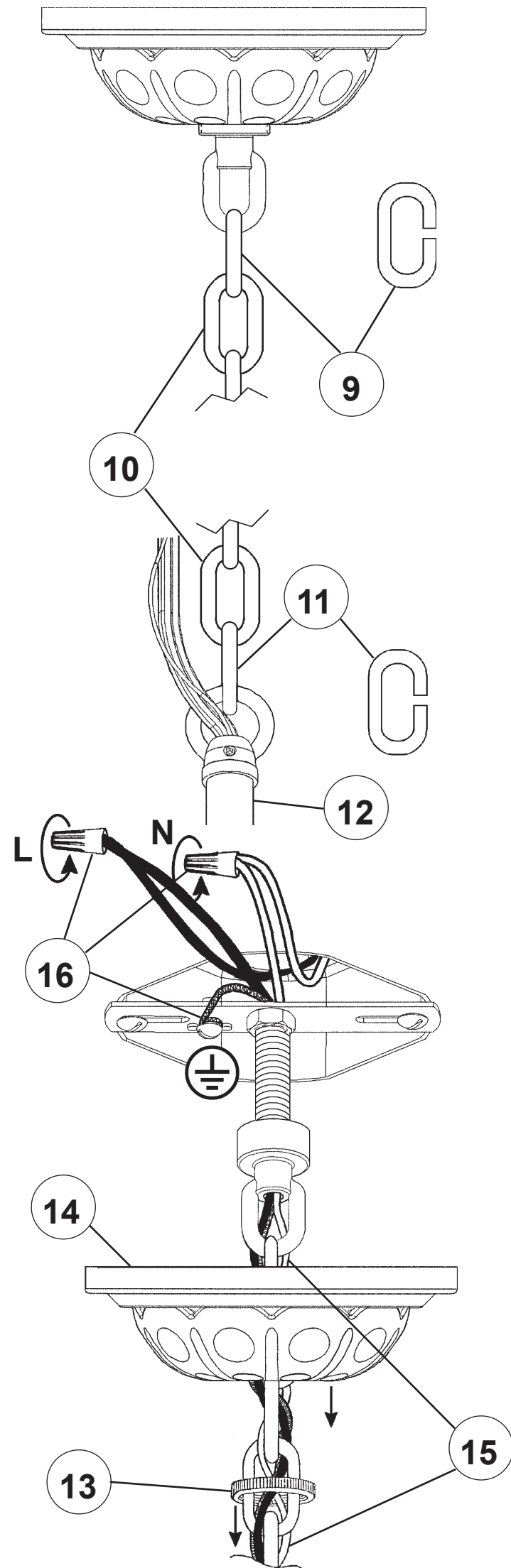
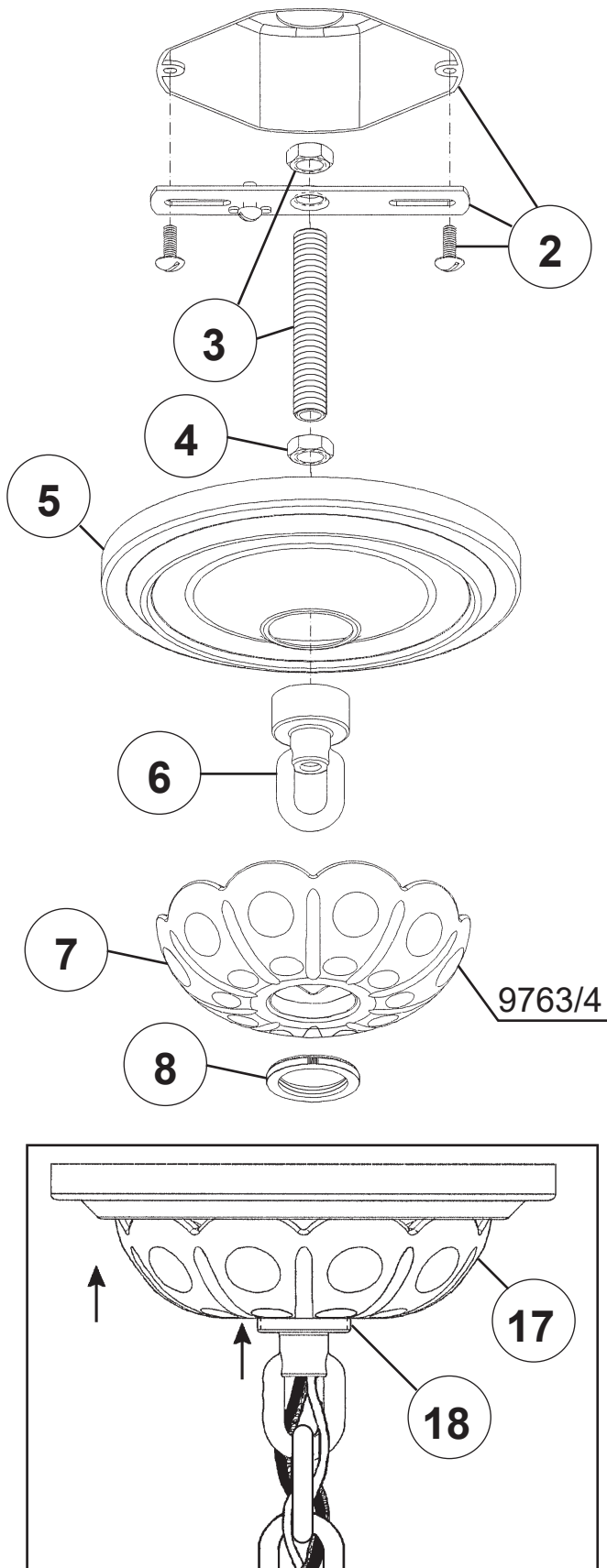
								
MAX 60 W	110-120 V							

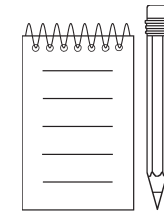
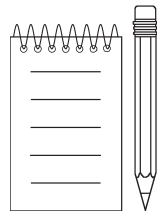
**WARNING:**

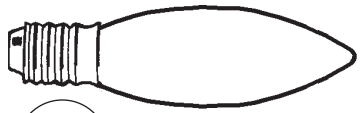
1 

**Electrical Danger Turn Power Off**

All electrical components must be installed by a licensed electrician in accordance with the National Electric Code and the appropriate local electrical codes.







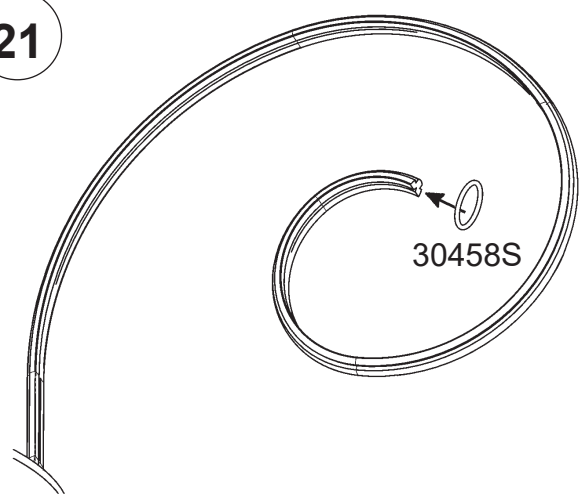
6 X  : 30458S

20

You will need 6 - B10  
25 Watts Recommended  
60 Watts Max

Install bulbs and be sure  
to test fixture **BEFORE**  
trimming.

21



30458S

