

 **SCHONBEK** | 1870











**CHANTANT**  
**CH1211N- \_\_ \_ O**

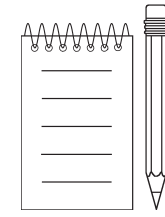
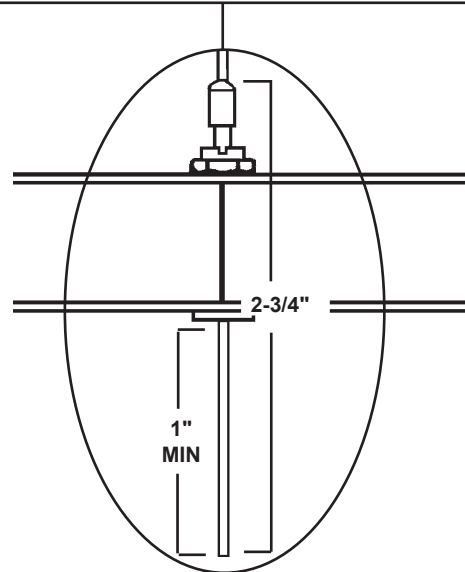
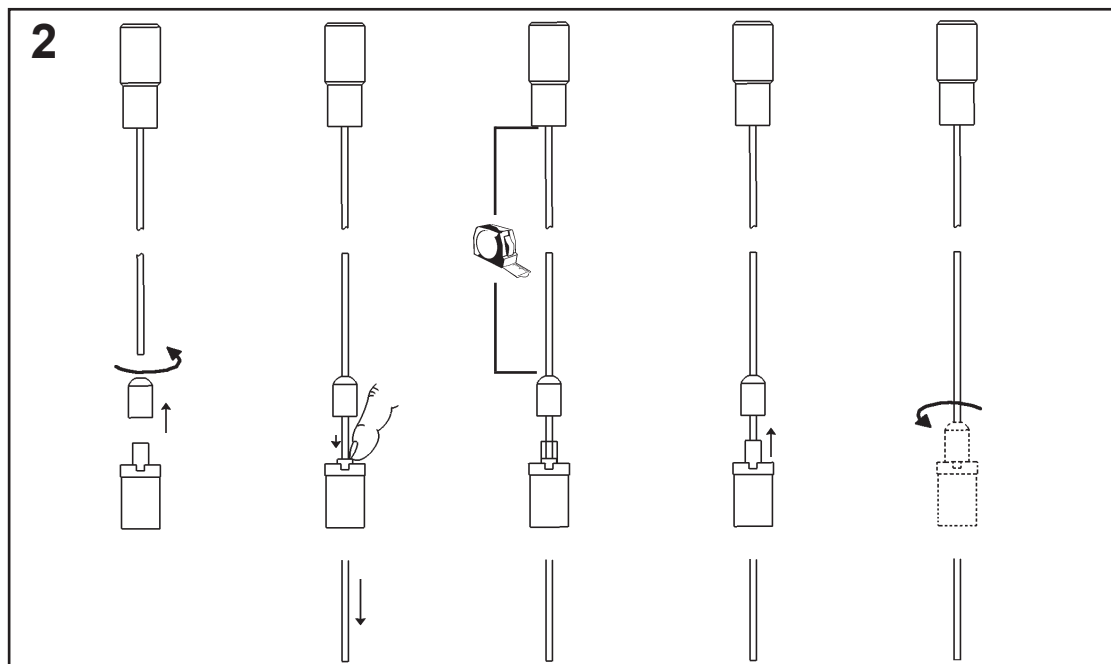
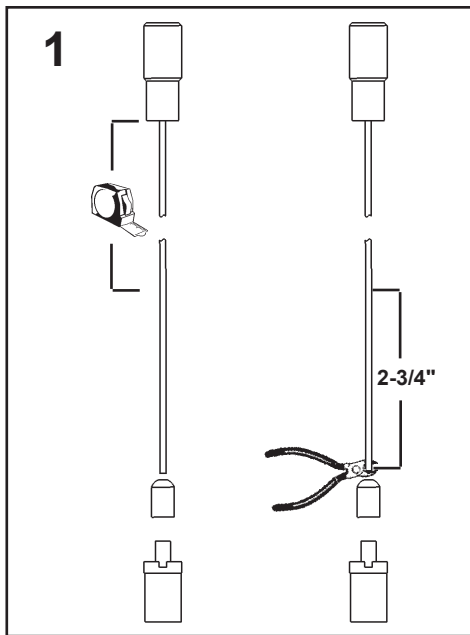


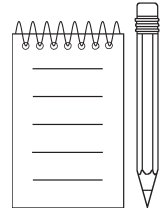
**T**HIS DESIGN IS THE PROPRIETARY  
TRADE DRESS/TRADEMARK OF  
W SCHONBEK LLC.

4 Lights  
Diameter: 14"  
Height: 23"  
Hanging Weight: 14-1/2lbs.

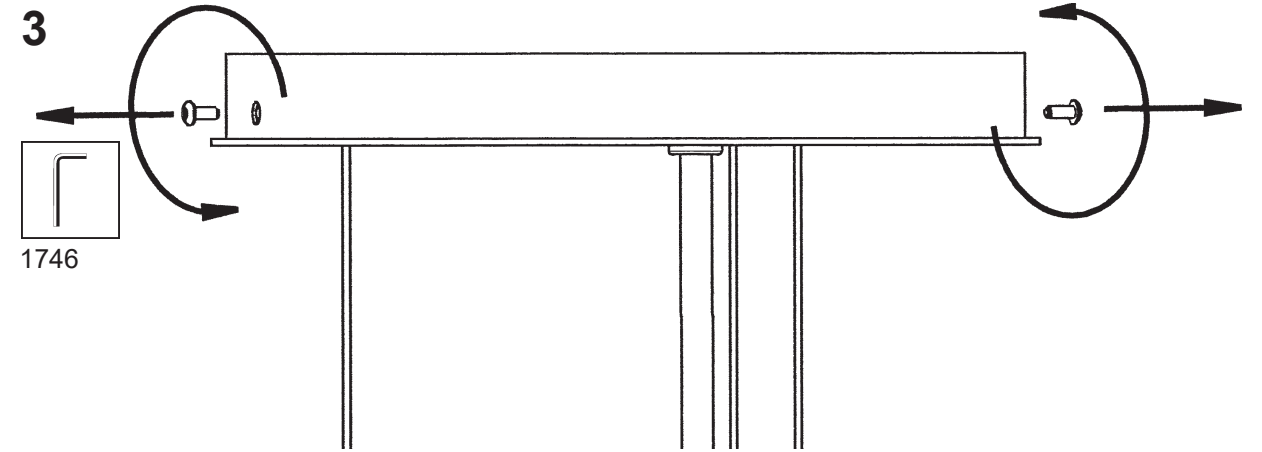
 **SCHONBEK** | 1870

								
MAX <b>50</b> W	110-120 V							

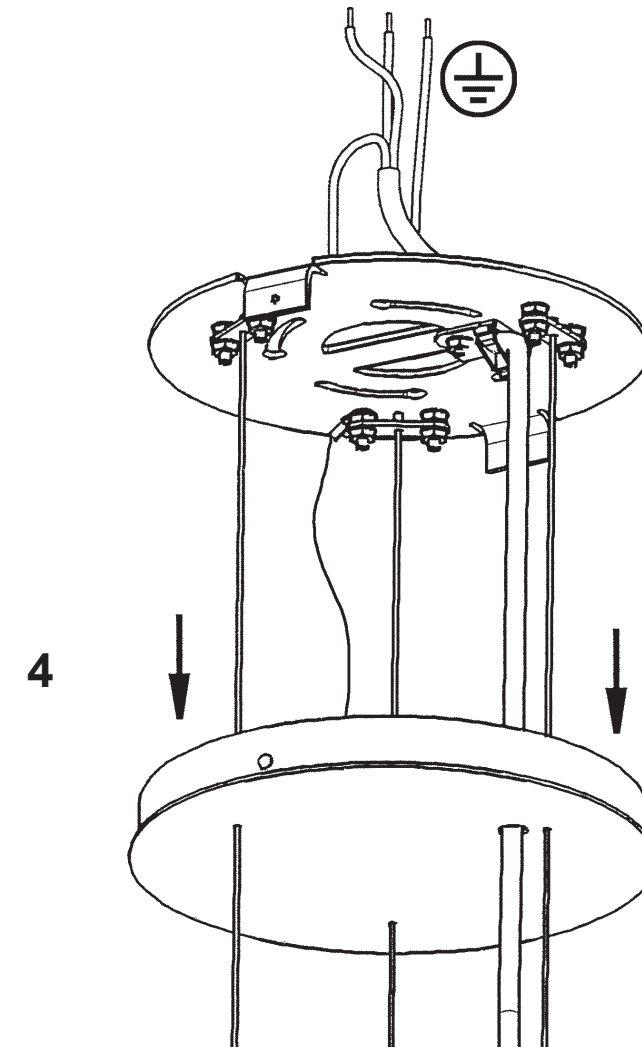


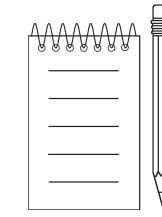
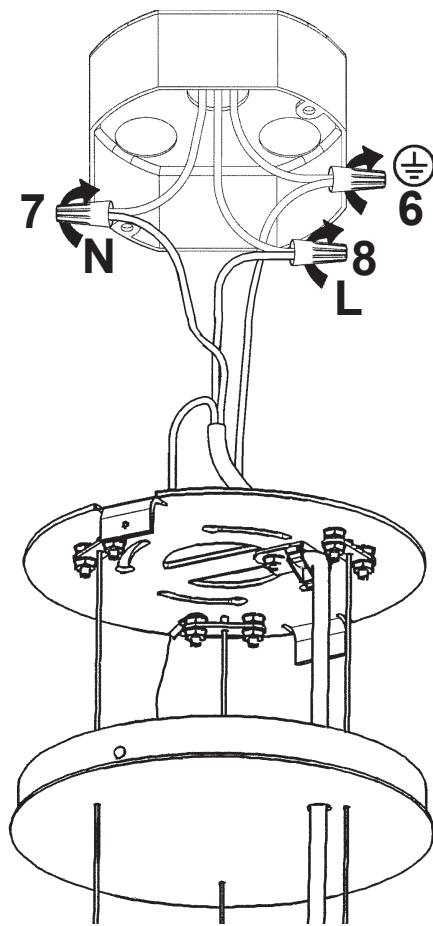
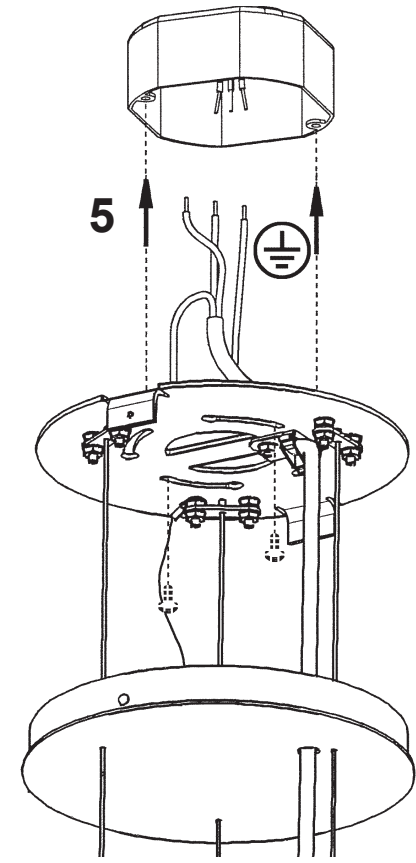


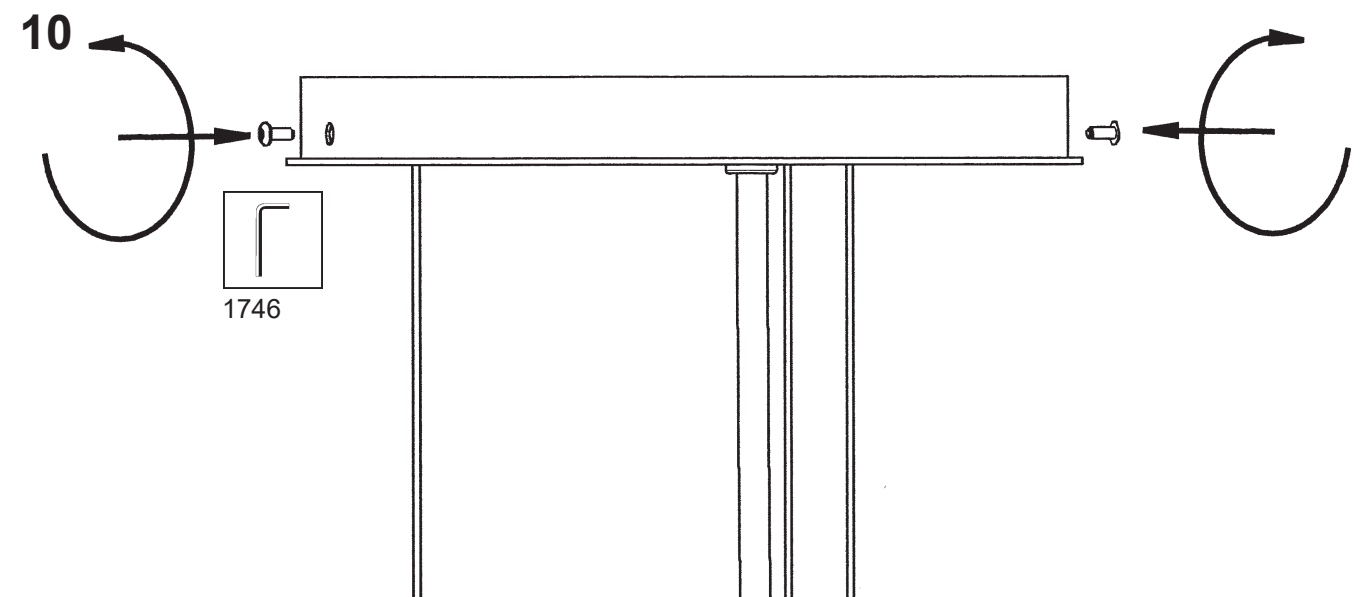
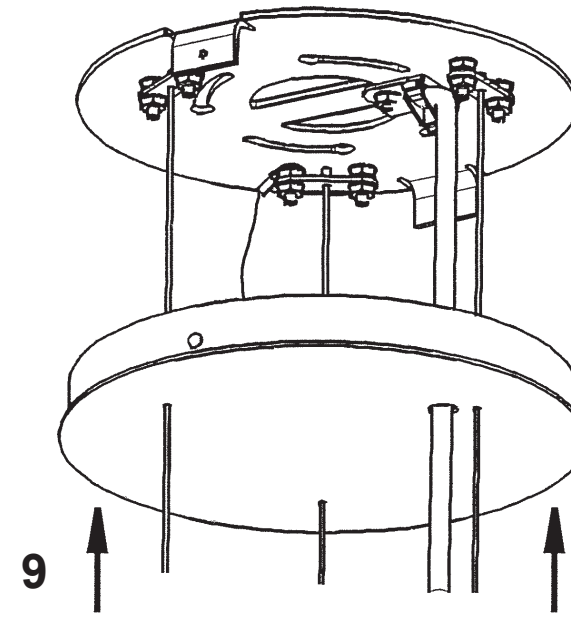
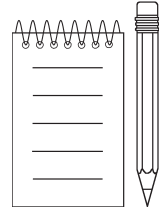
1 X  : 1746

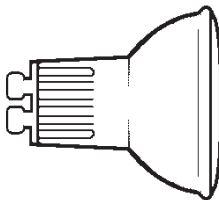



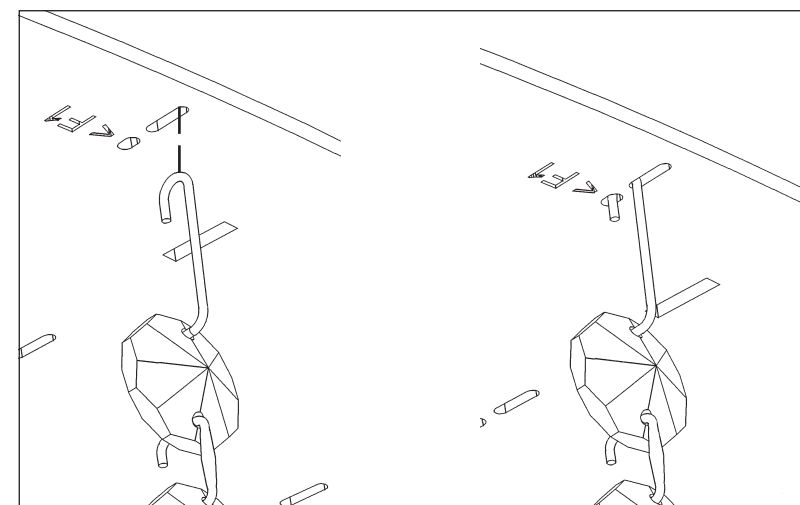
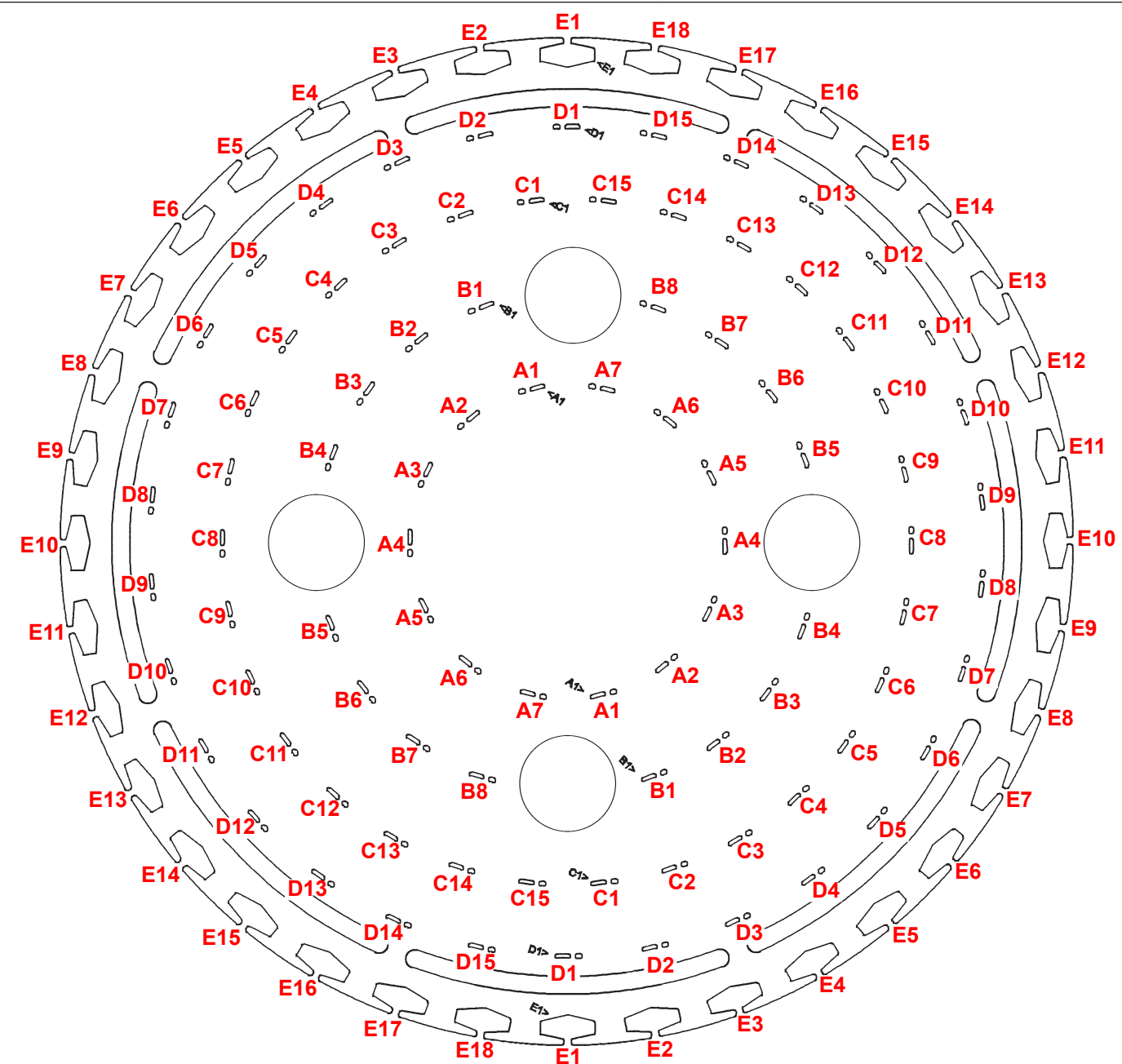
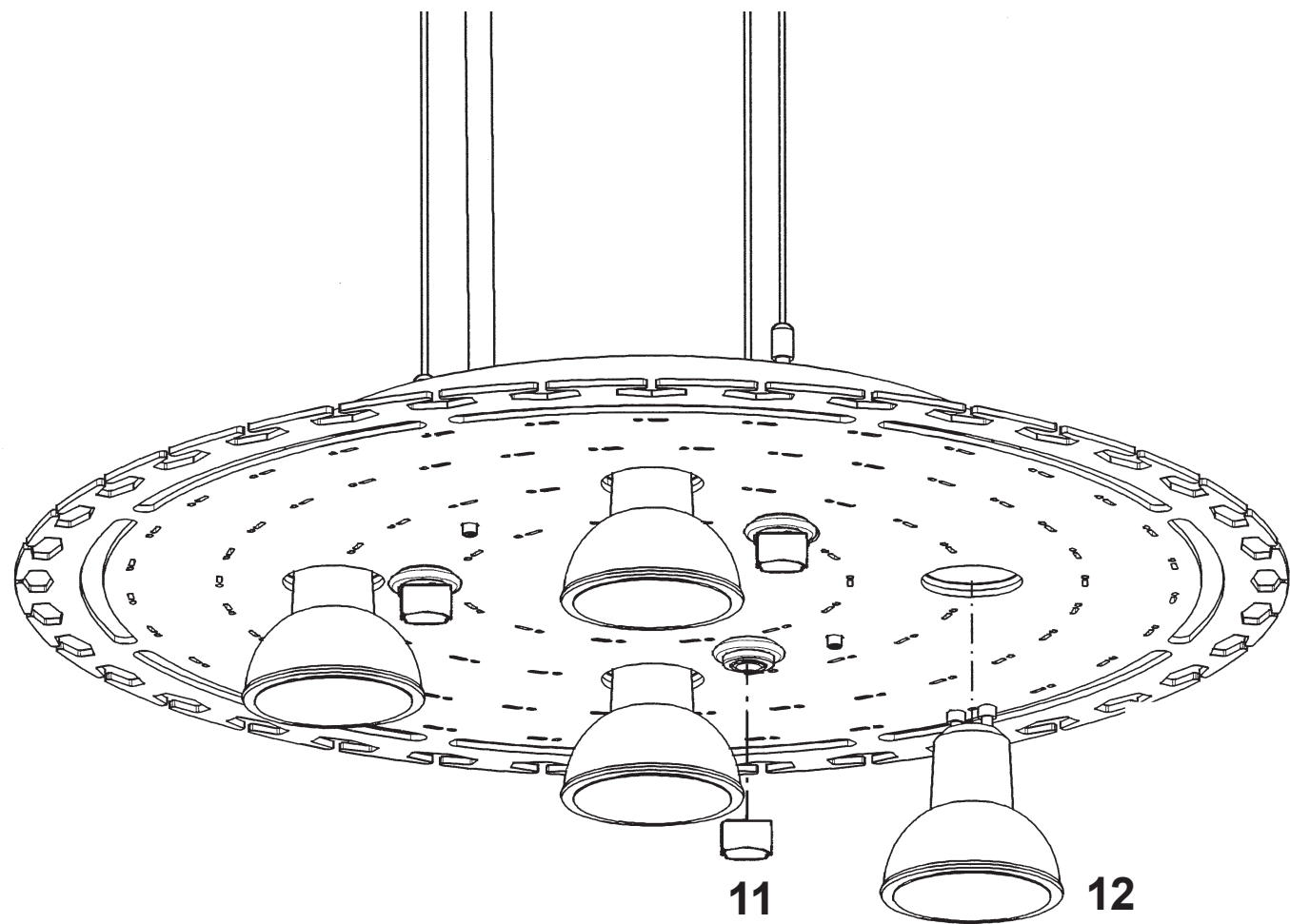
  
1746







4 X  : GU10 50W MAX 



- 13** A1 - A7
- 14** B1 - B8
- 15** C1 - C15
- 16** D1 - D15
- 17** E1 - E18

After hanging all trim, remove labels from crystals. If residue remains, wipe off crystal with a soft, dry cloth.

 **SCHONBEK** | 1870










# CHANTANT CH1211N- \_\_ \_\_ R

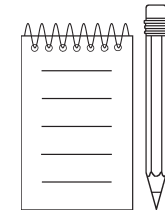
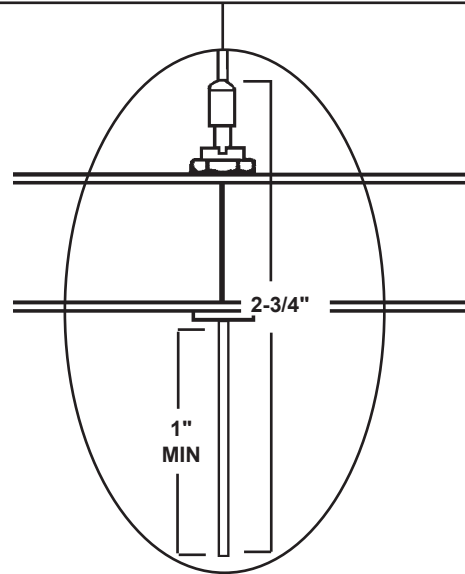
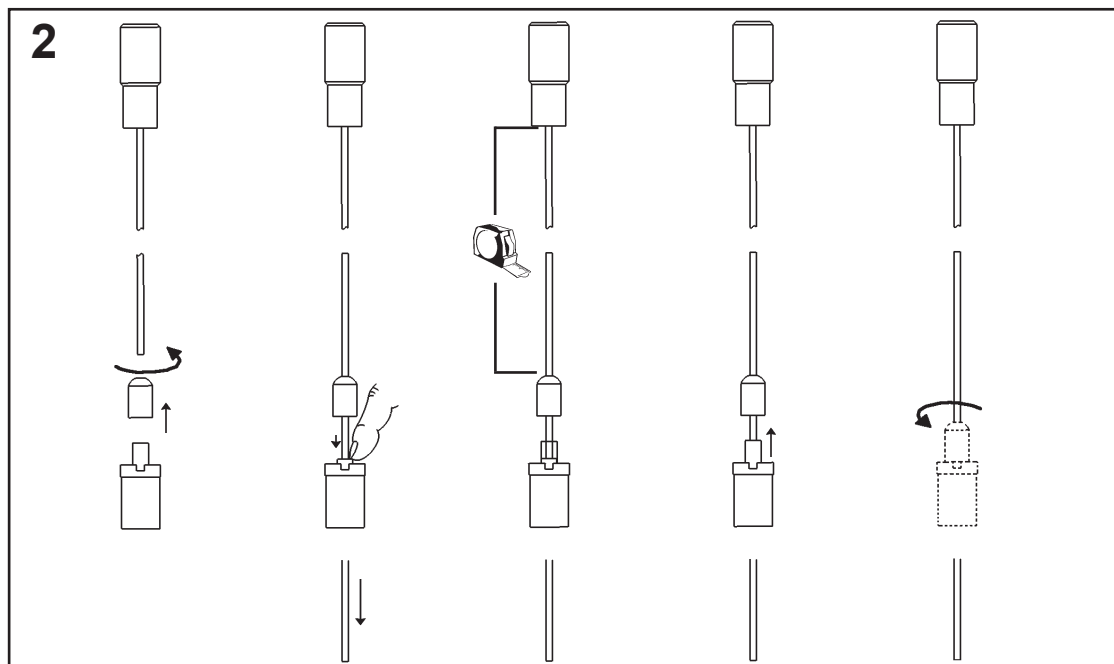
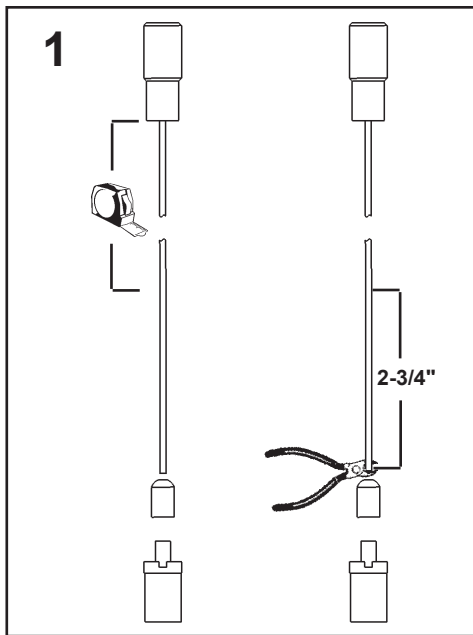


**T**HIS DESIGN IS THE PROPRIETARY  
TRADE DRESS/TRADEMARK OF  
W SCHONBEK LLC.

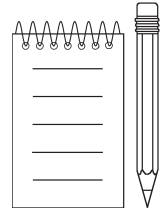
4 Lights  
Diameter: 14"  
Height: 23"  
Hanging Weight: 14-1/2lbs.

 **SCHONBEK** | 1870

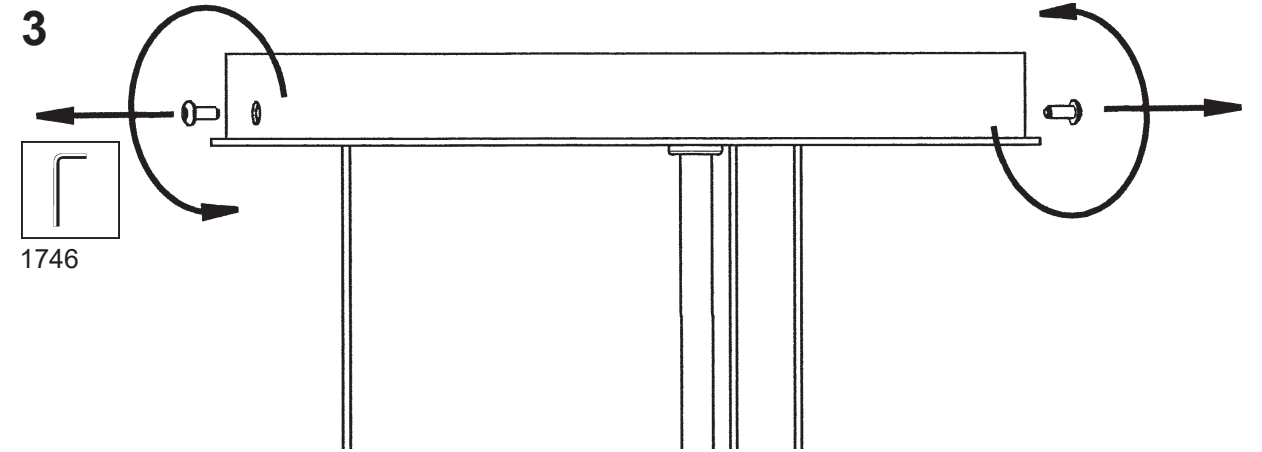
			<b>S</b>					
MAX <b>50</b> W	110-120 V							



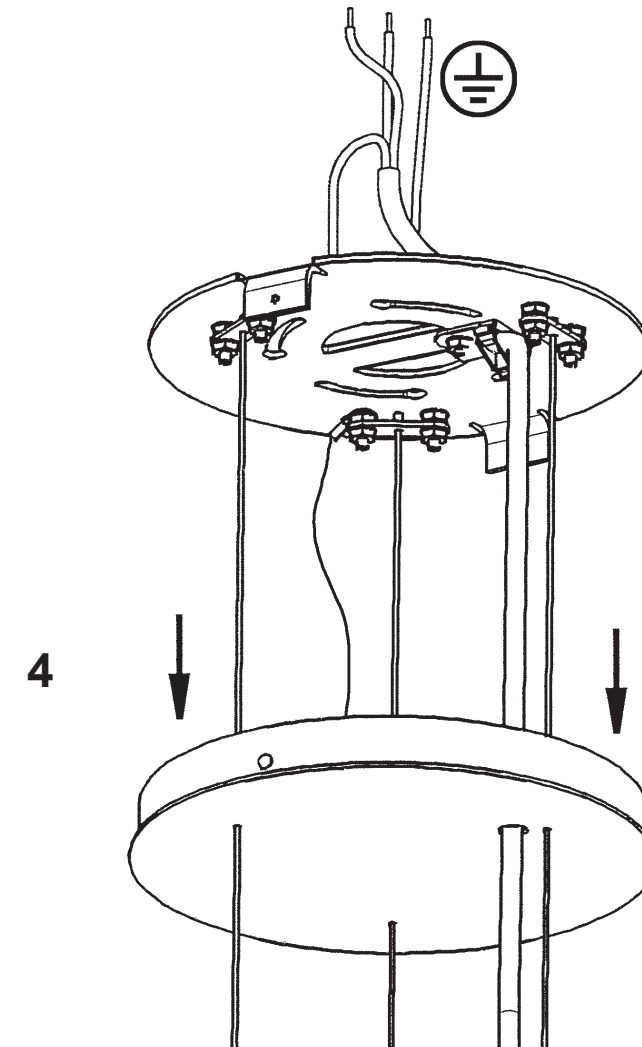


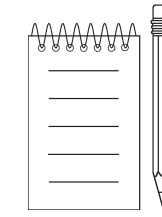
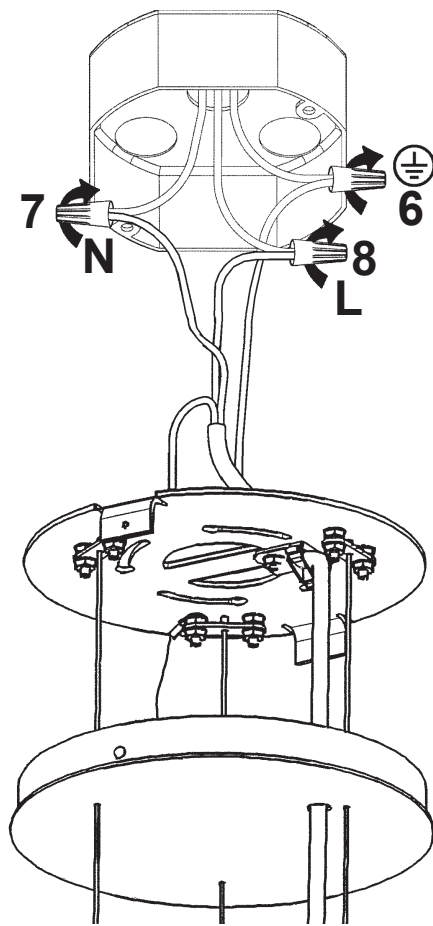
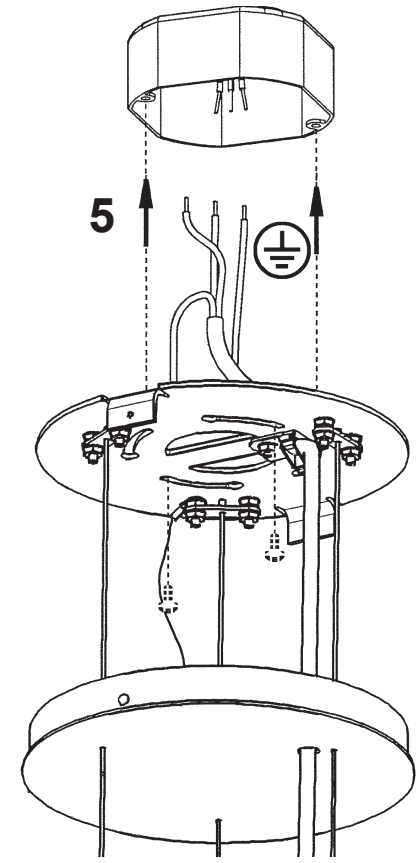


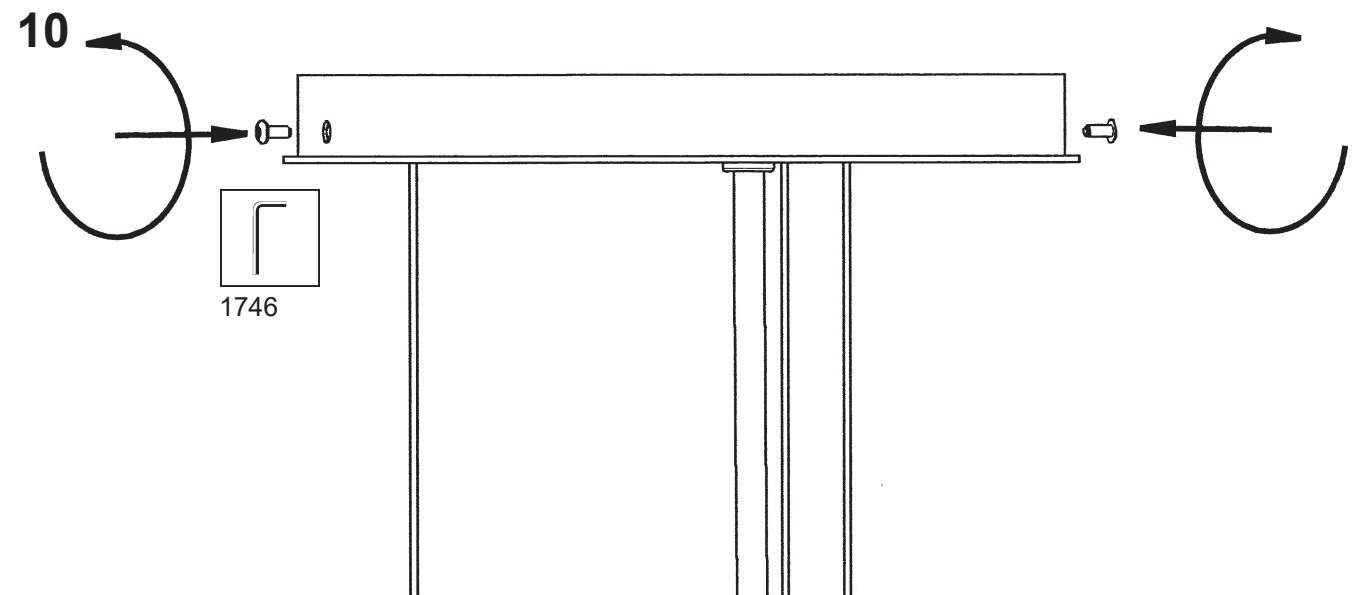
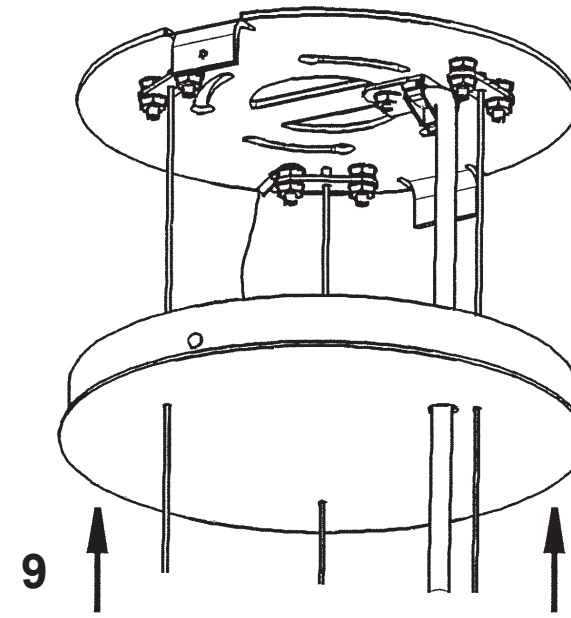
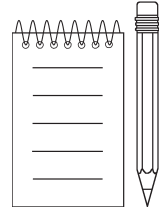
1 X  : 1746

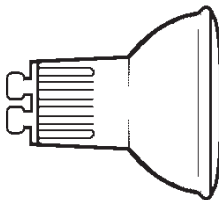



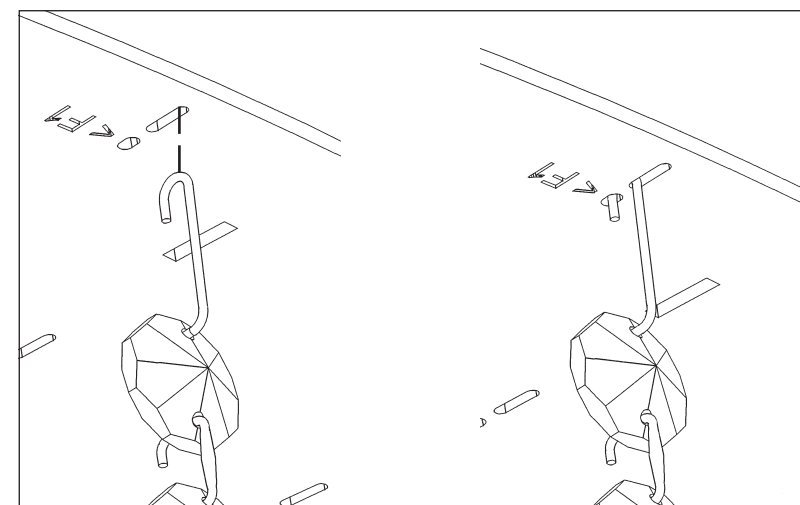
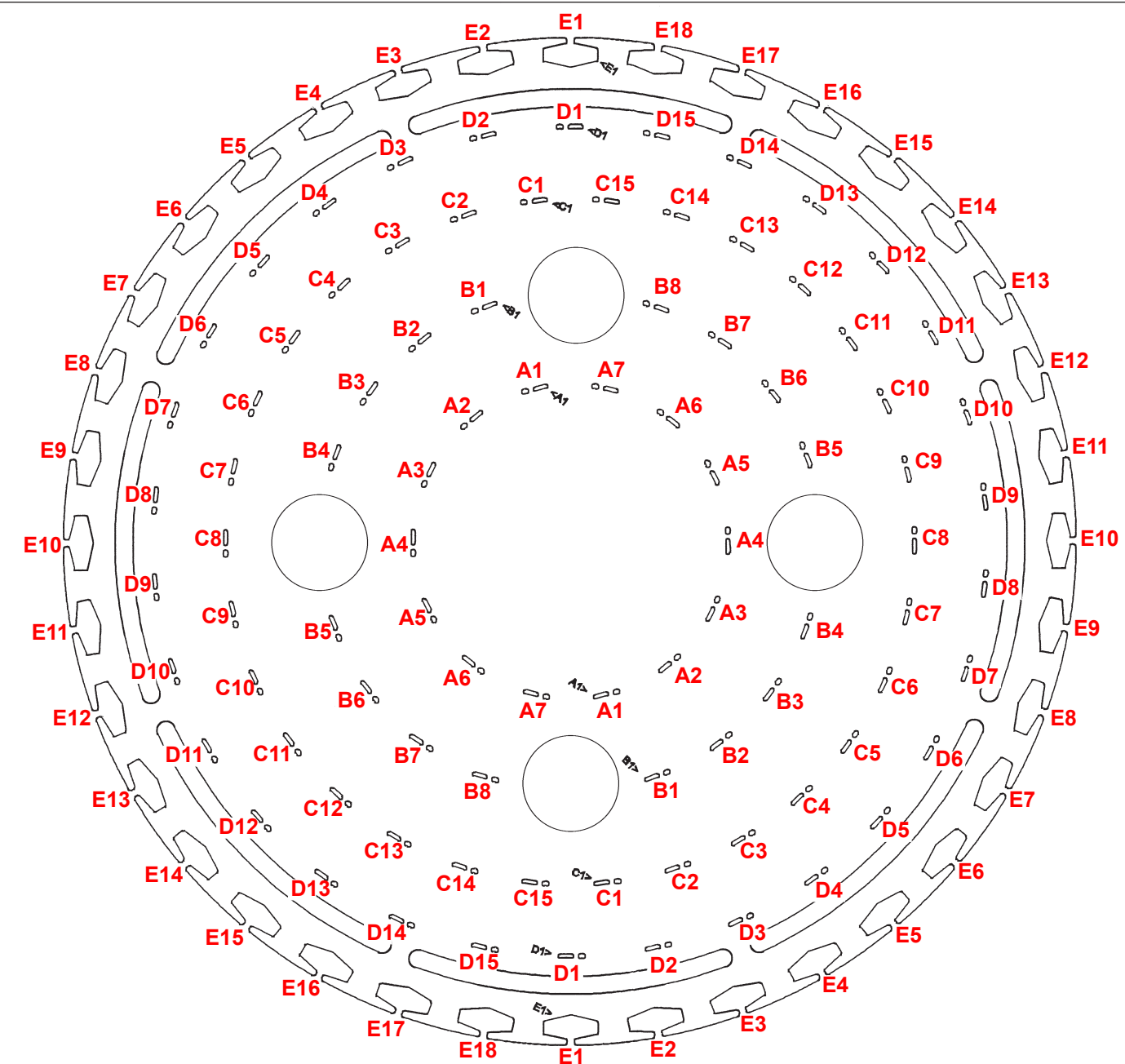
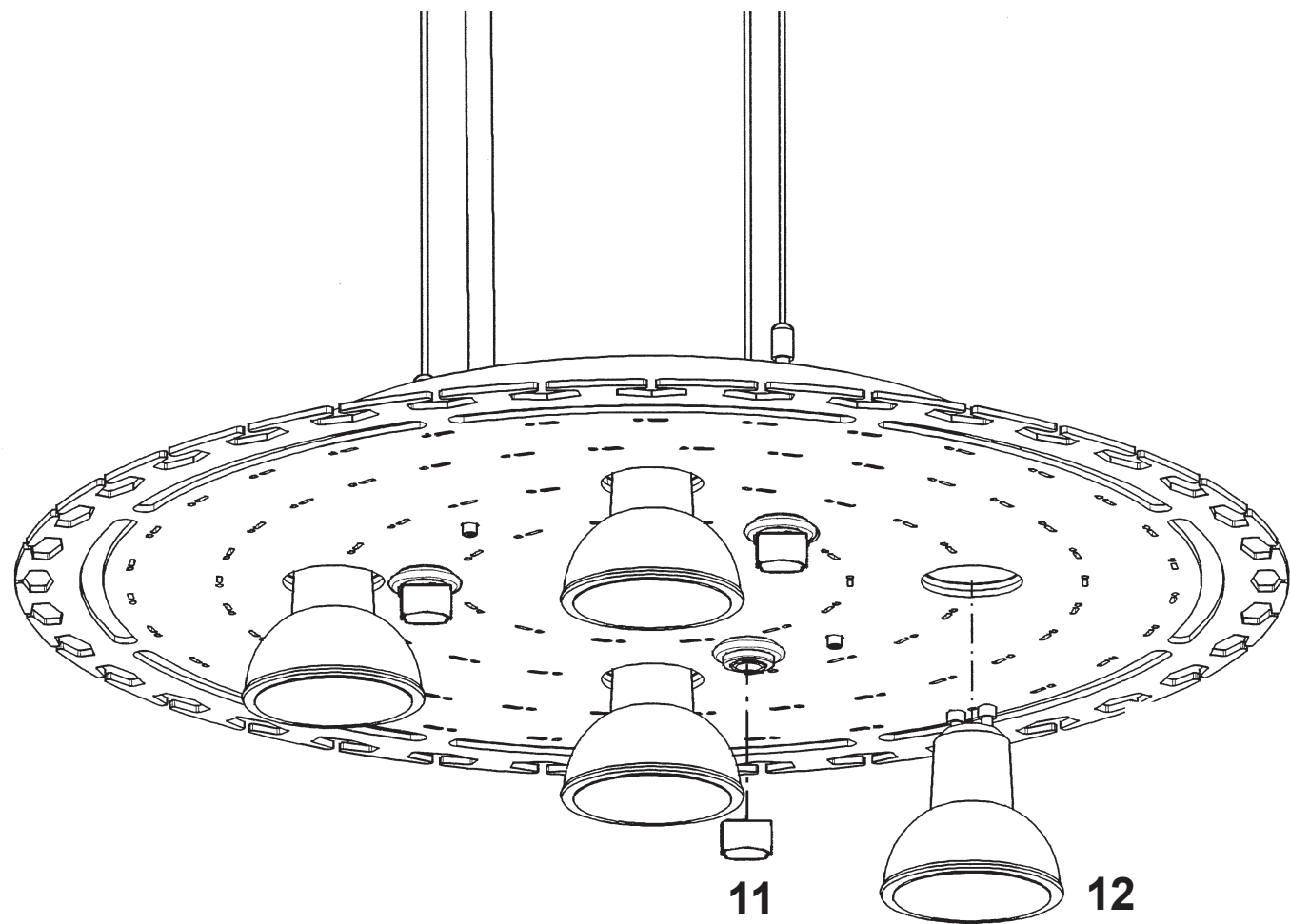
  
1746







4 X  : GU10 50W MAX 



- 13** A1 - A7
- 14** B1 - B8
- 15** C1 - C15
- 16** D1 - D15
- 17** E1 - E18

After hanging all trim, remove labels from crystals. If residue remains, wipe off crystal with a soft, dry cloth.