

 **SCHONBEK** | 1870










CHANTANT
CH2412N- __ _ O

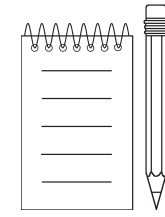
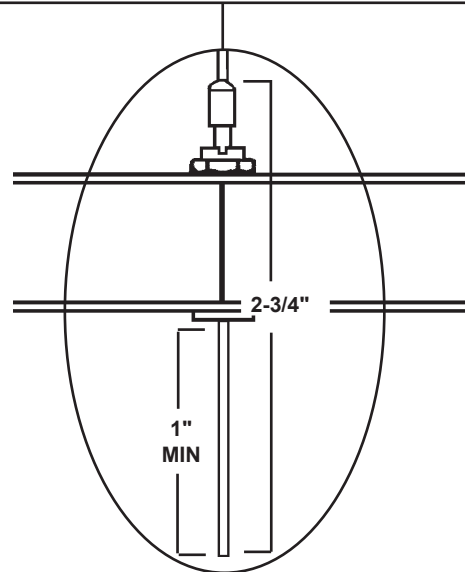
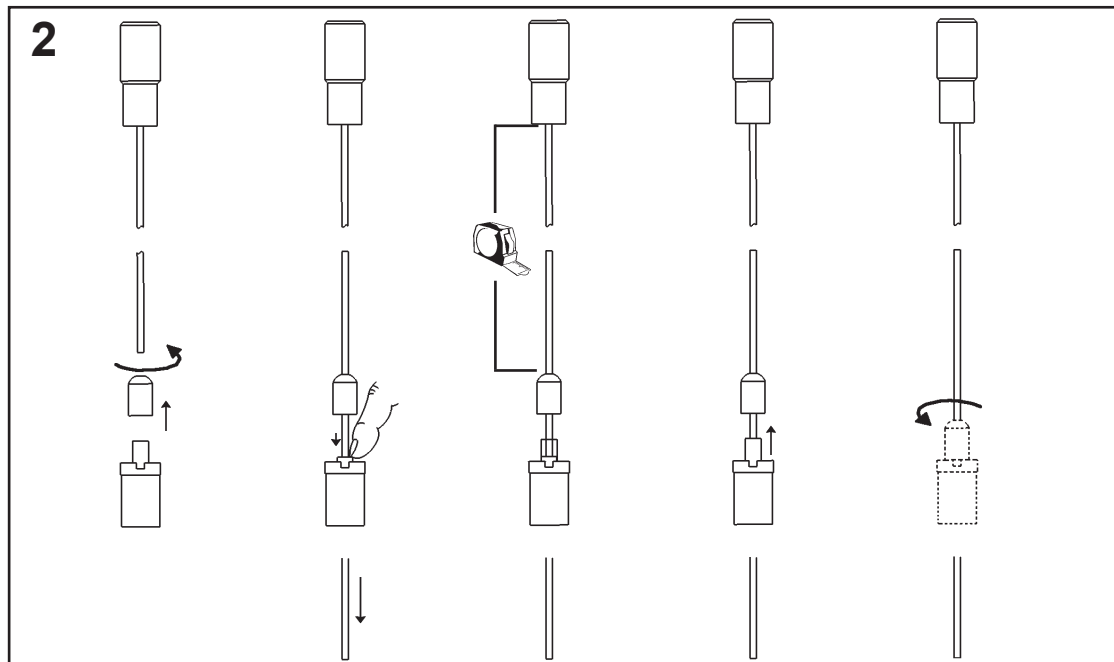
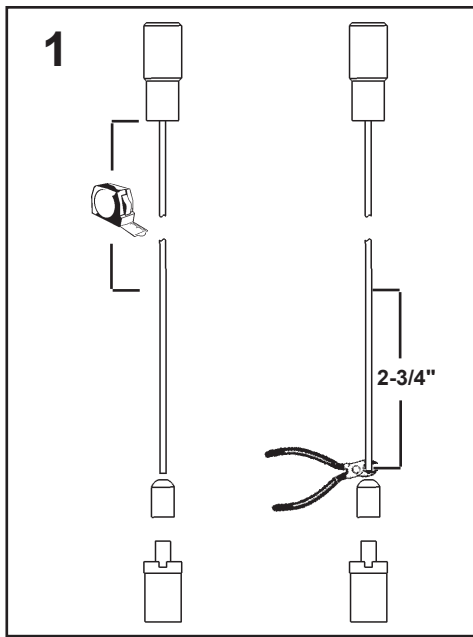


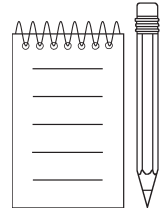
THIS DESIGN IS THE PROPRIETARY
TRADE DRESS/TRADEMARK OF
W SCHONBEK LLC.

6 Lights
Diameter: 24"
Height: 28"
Hanging Weight: 34lbs.

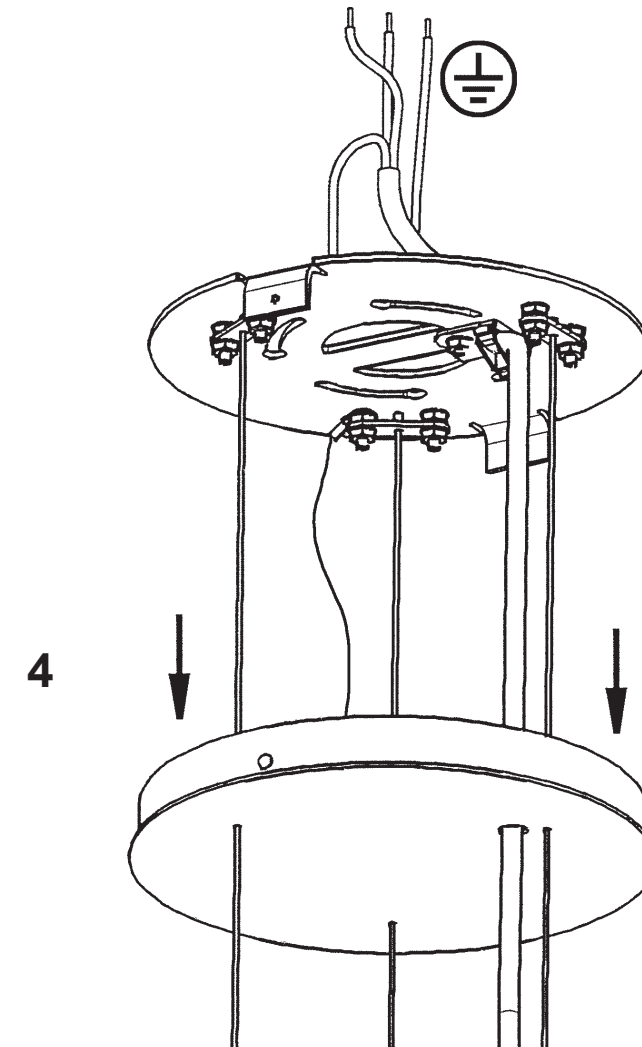
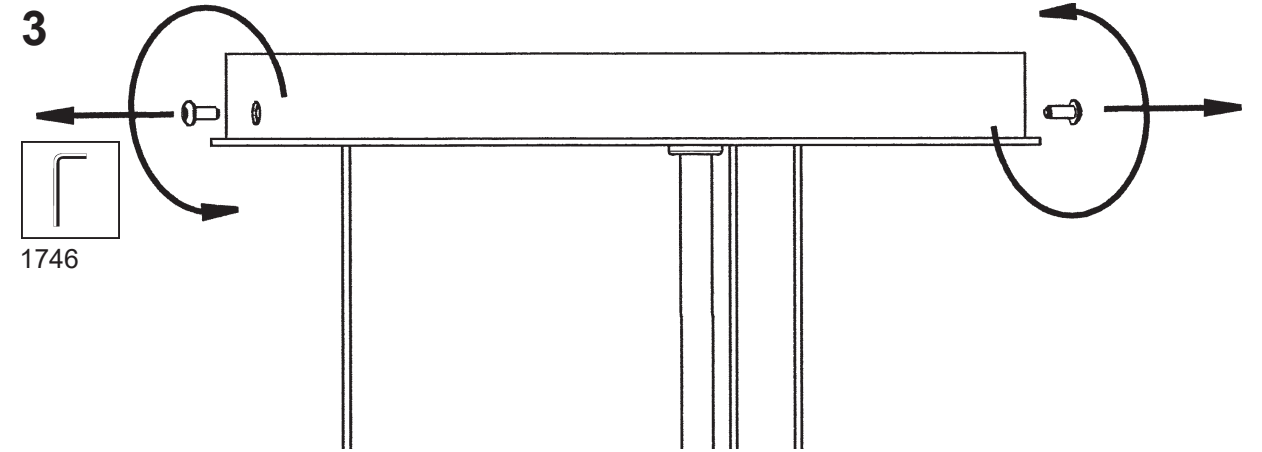
 **SCHONBEK** | 1870

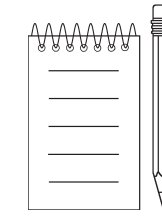
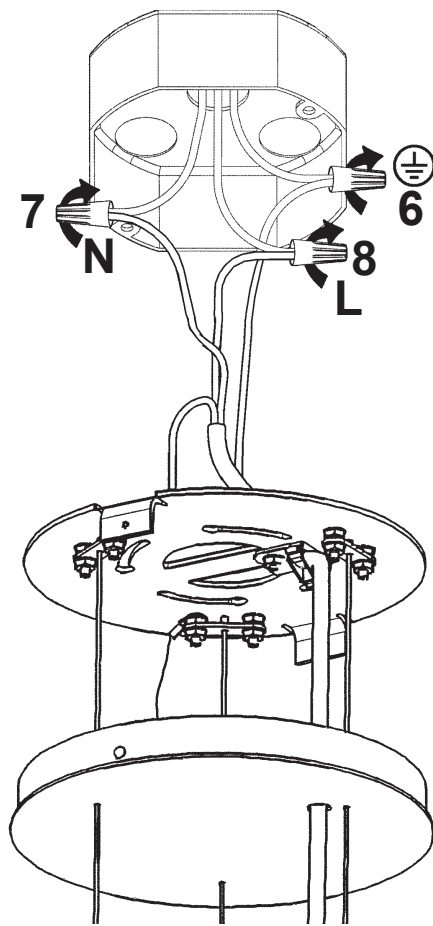
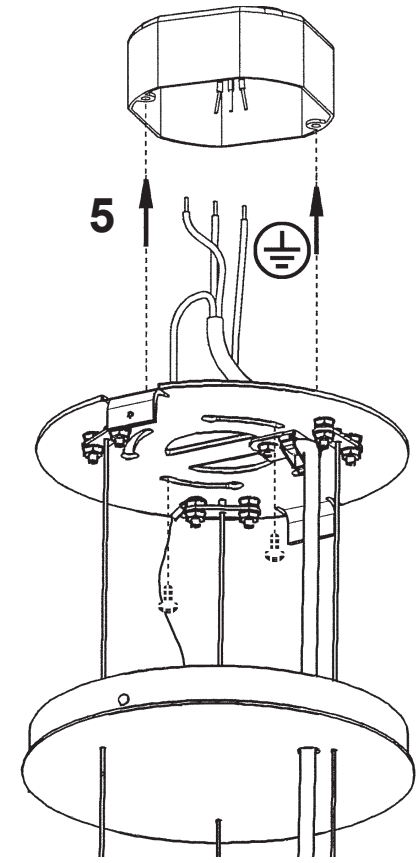
			S					
MAX 50 W	110-120 V							

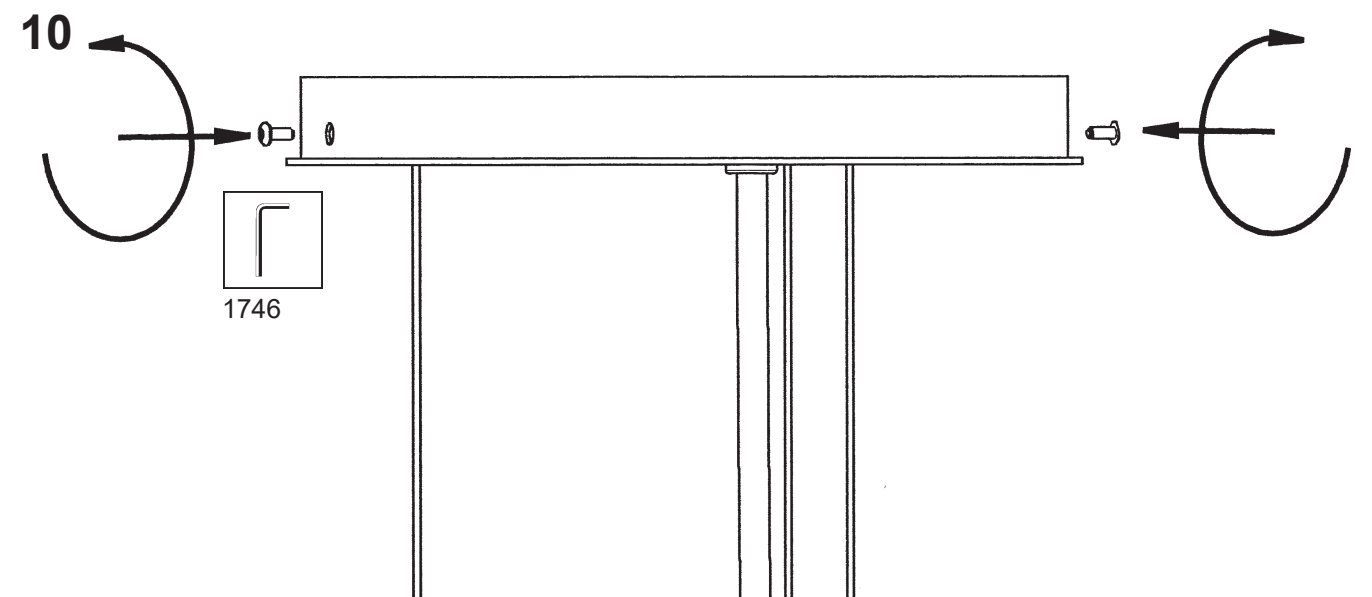
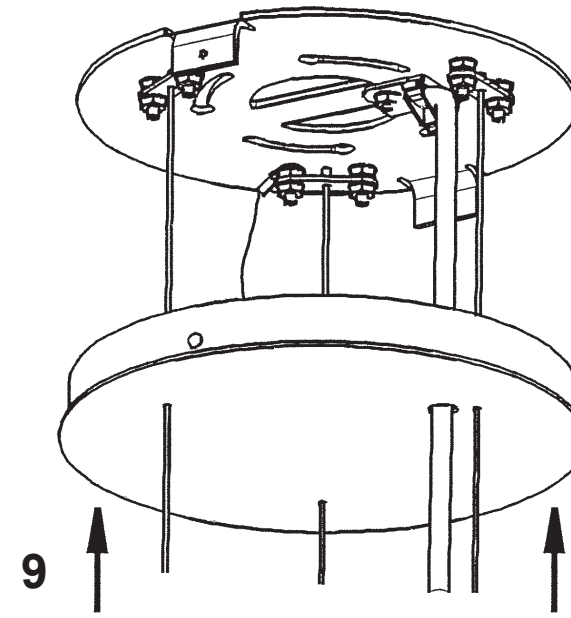
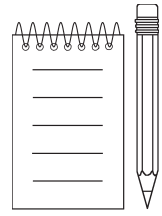


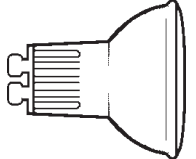



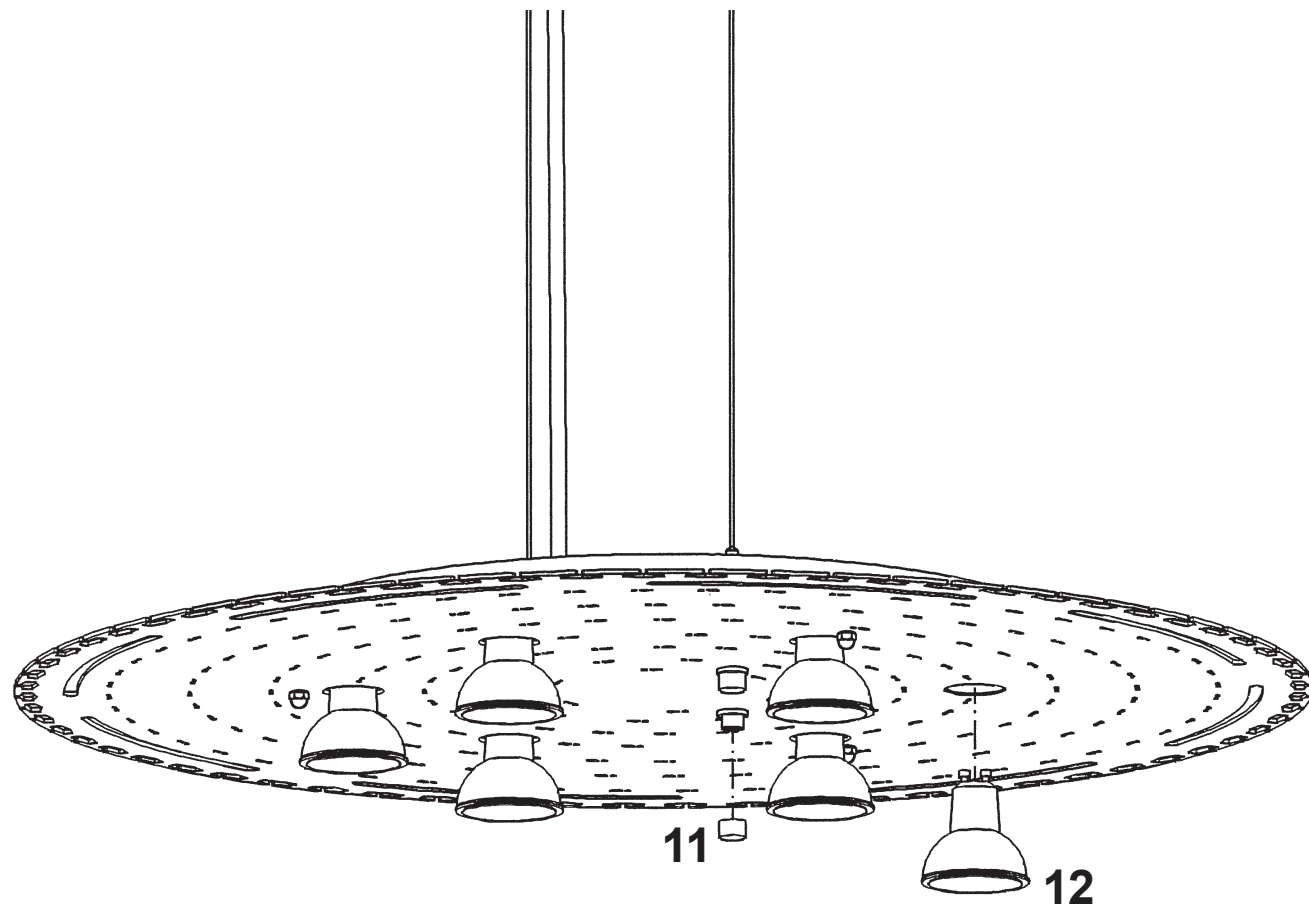
1 X  : 1746



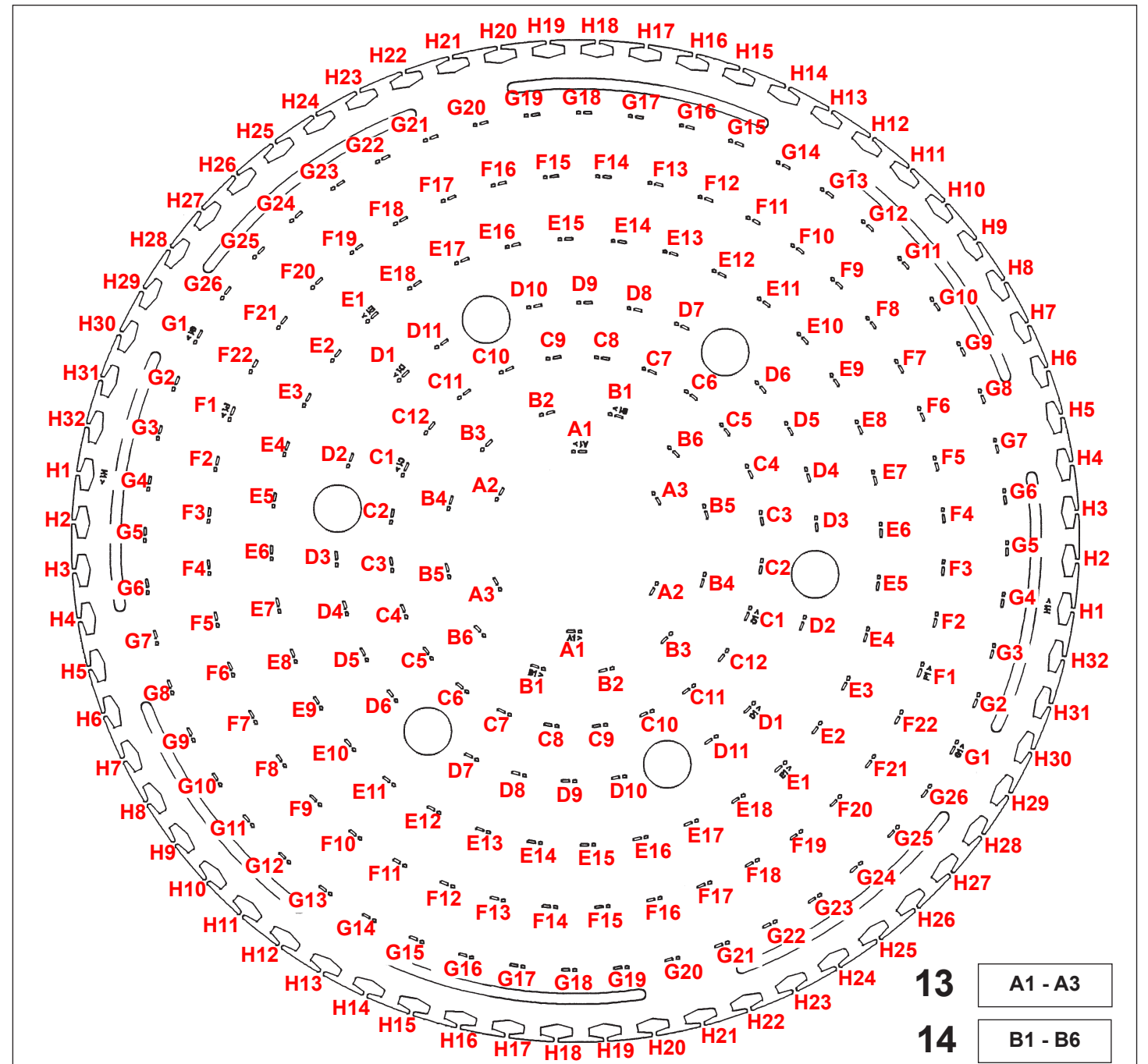




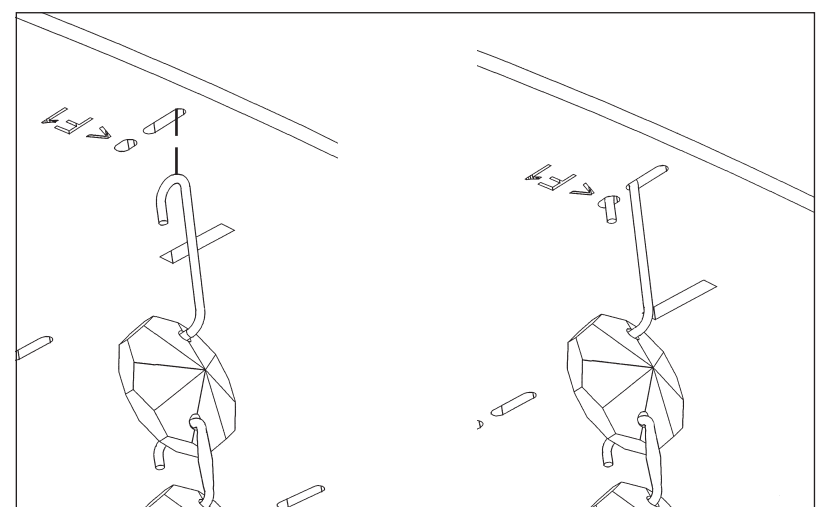
6 X  : GU10 50W MAX 



11 12



- 13 A1 - A3
- 14 B1 - B6
- 15 C1 - C12
- 16 D1 - D11
- 17 E1 - E18
- 18 F1 - F22
- 19 G1 - G26
- 20 H1 - H32



After hanging all trim, remove labels from crystals. If residue remains, wipe off crystal with a soft, dry cloth.

 **SCHONBEK** | 1870










CHANTANT
CH2412N- __ __ R

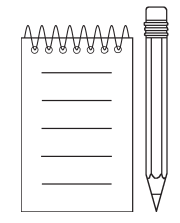
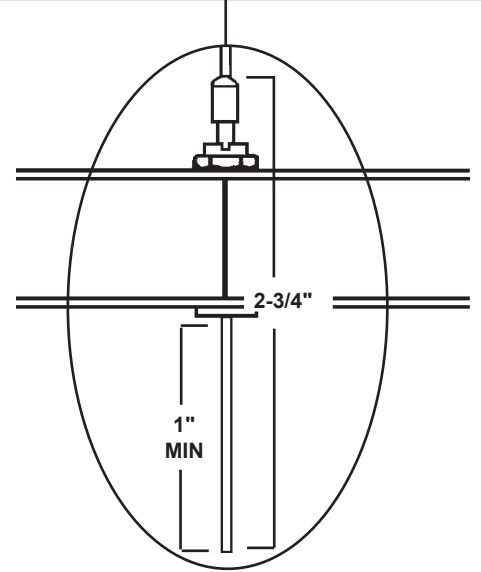
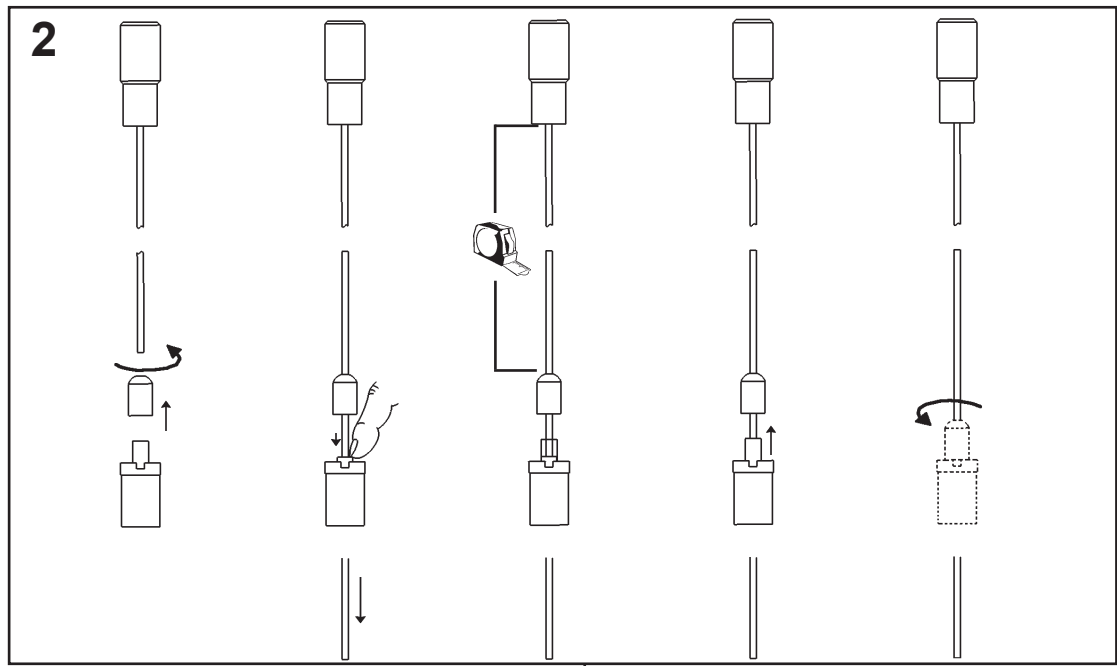
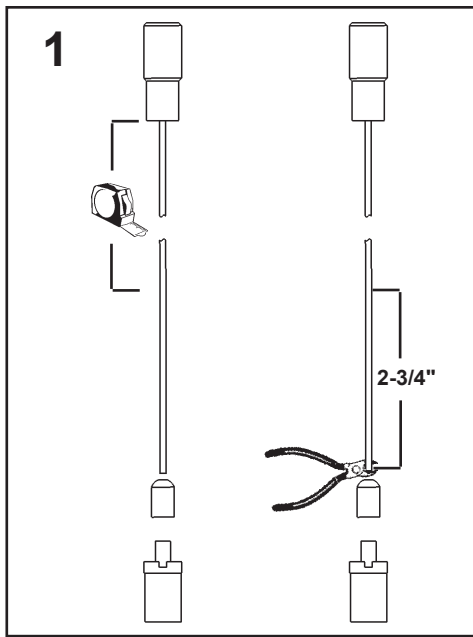


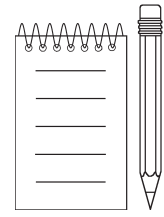
THIS DESIGN IS THE PROPRIETARY
TRADE DRESS/TRADEMARK OF
W SCHONBEK LLC.

6 Lights
Diameter: 24"
Height: 28"
Hanging Weight: 34lbs.

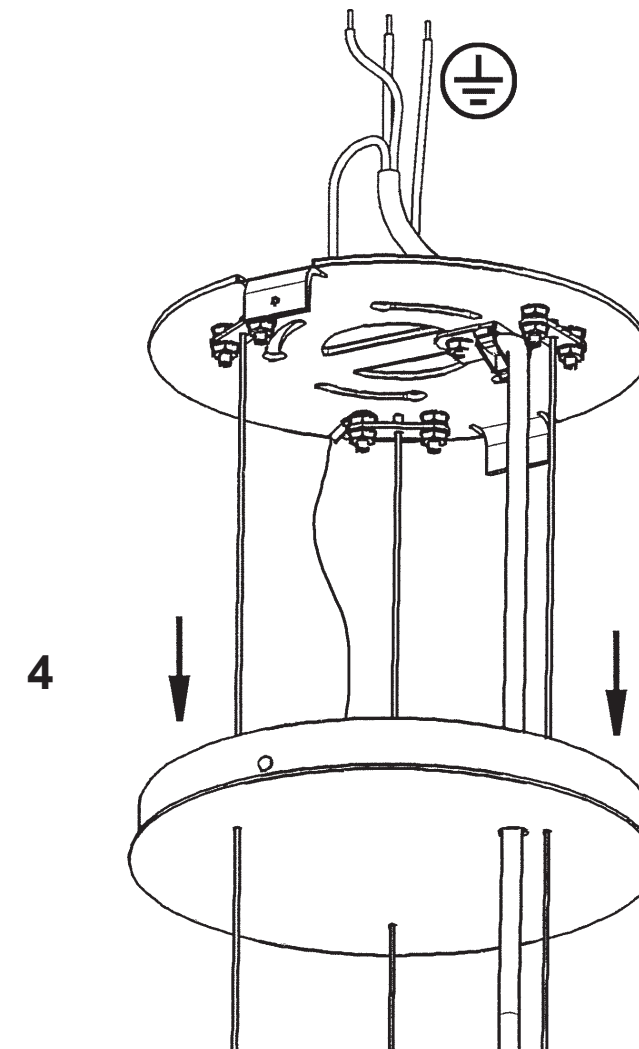
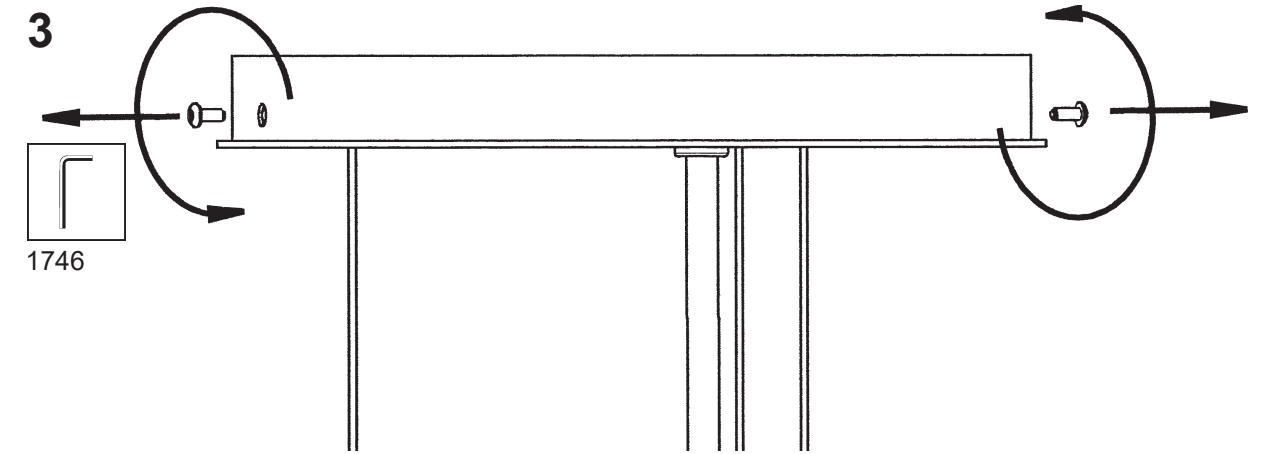
 **SCHONBEK** | 1870

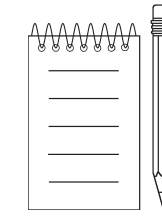
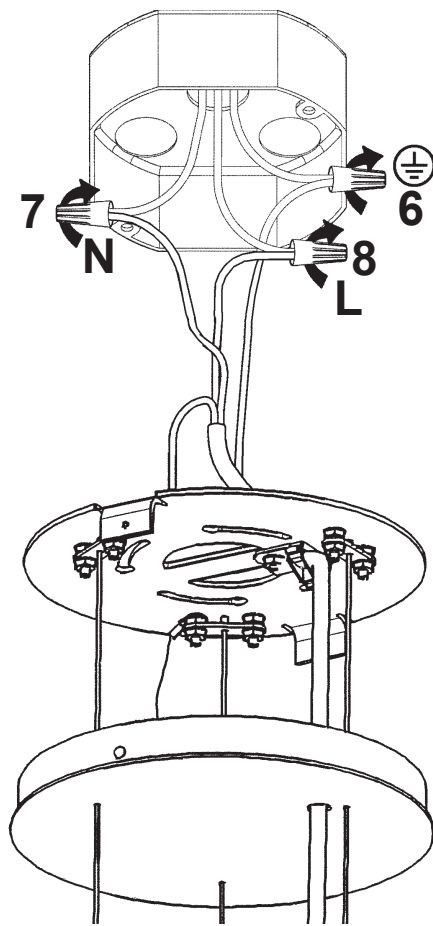
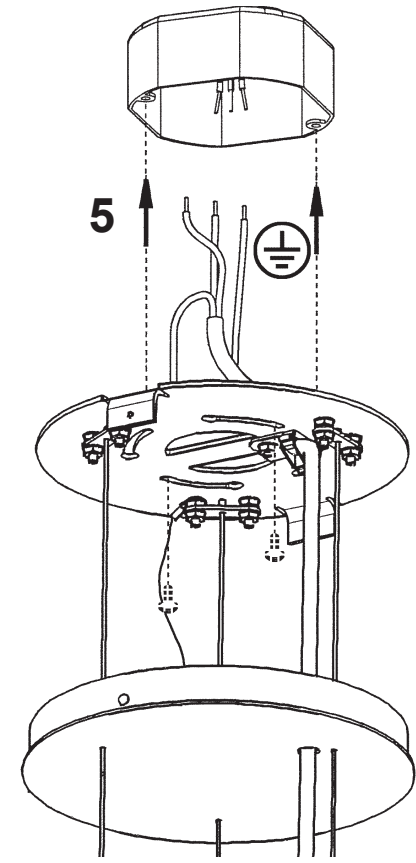
			S					
MAX 50 W	110-120 V							

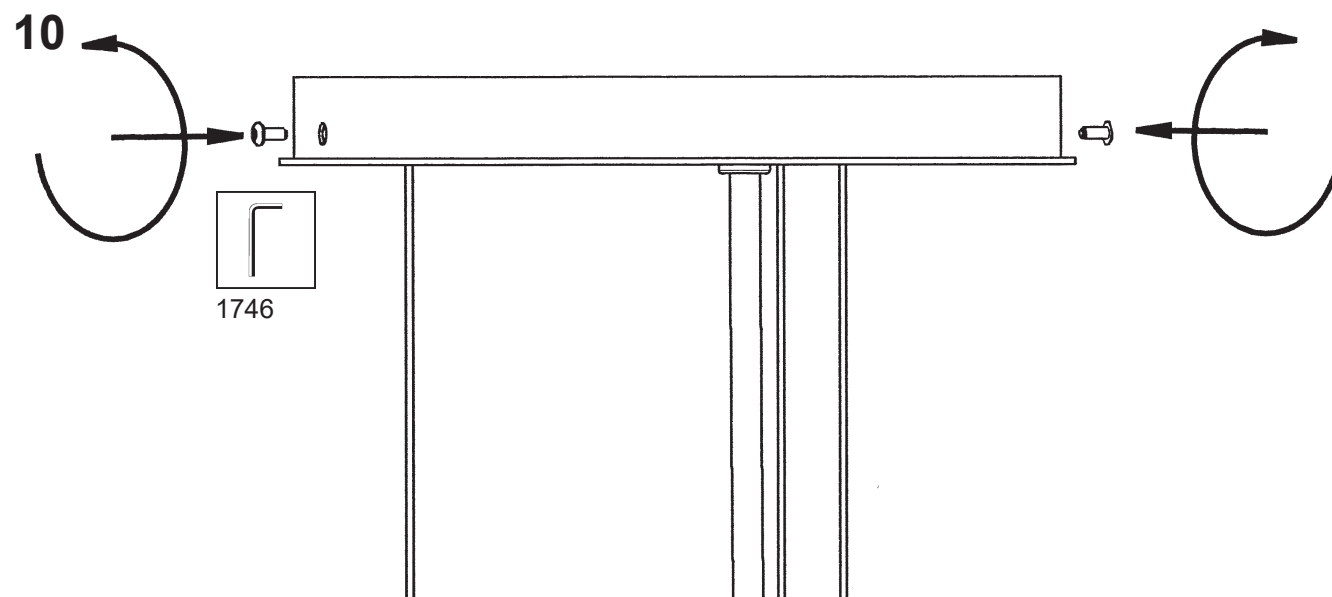
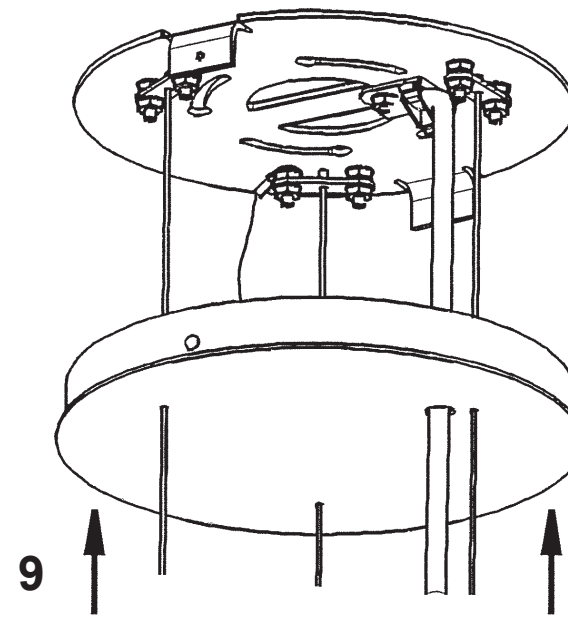
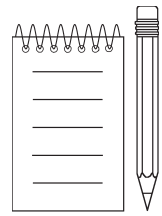


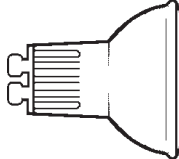



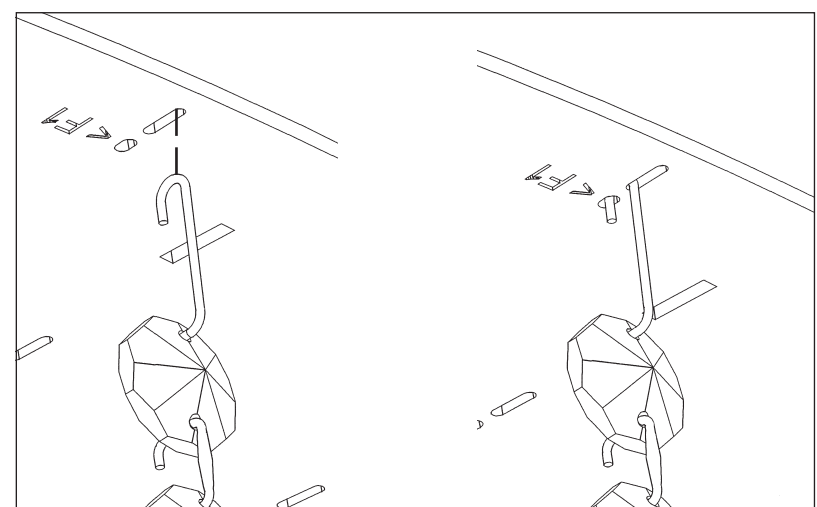
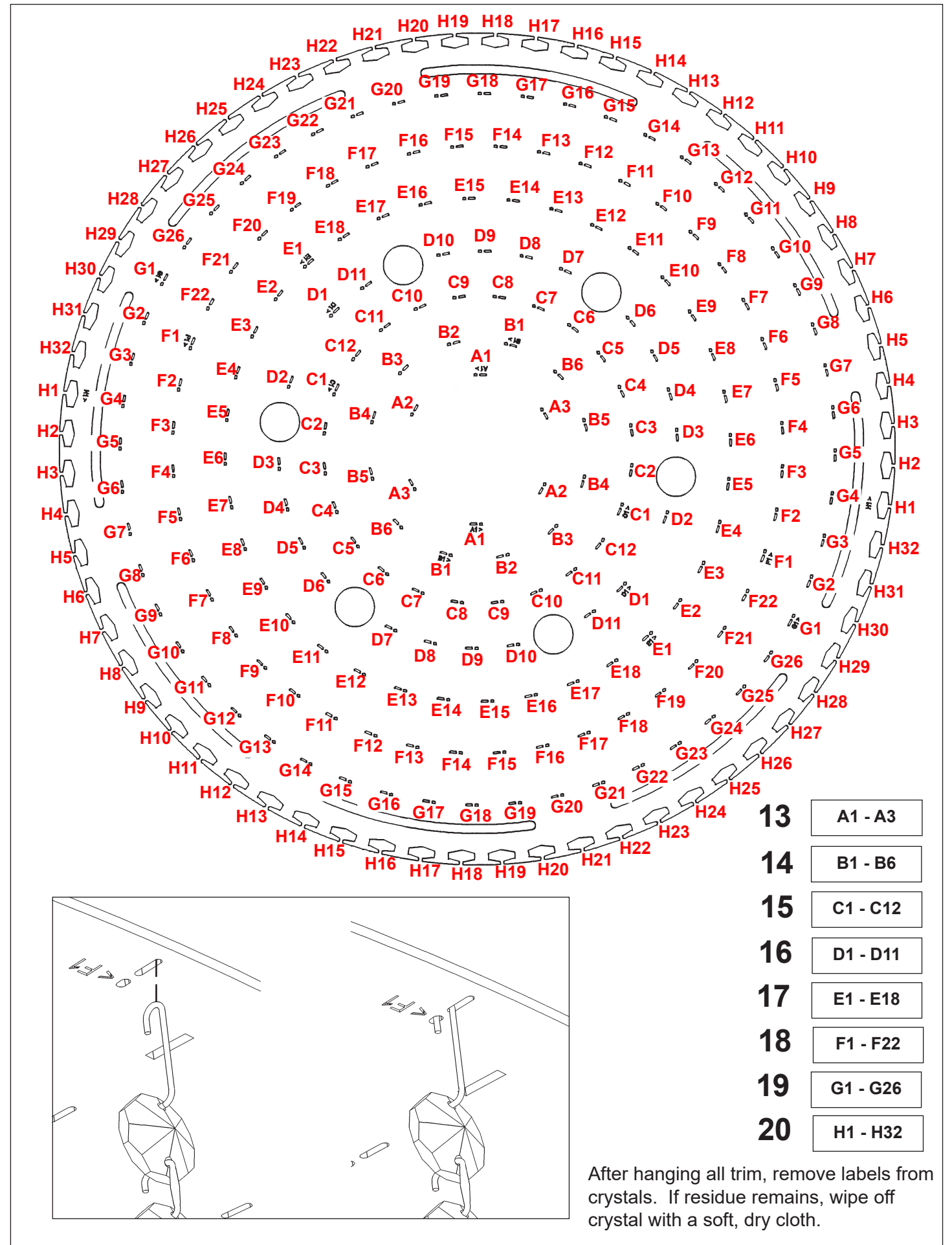
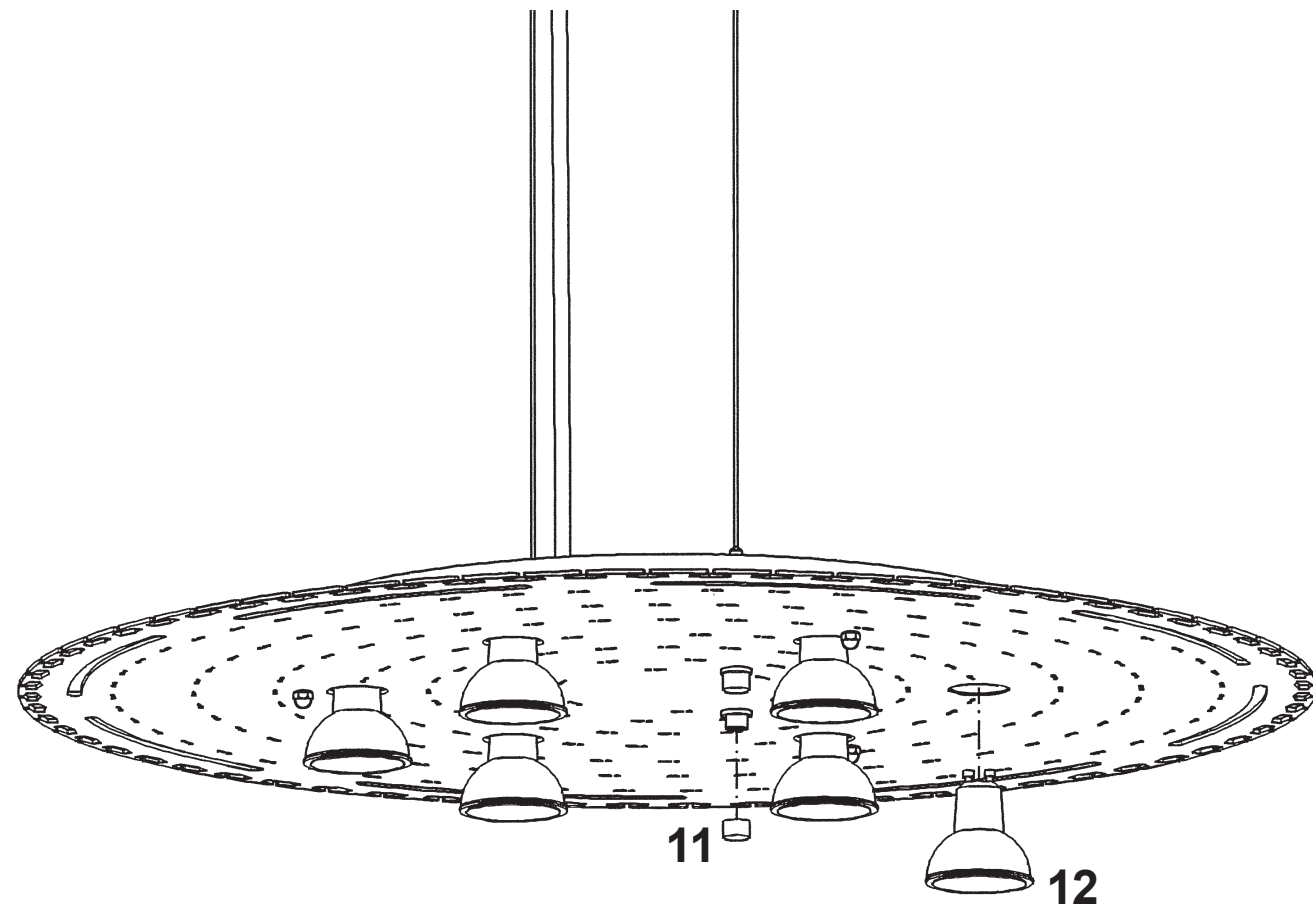
1 X  : 1746







6 X  : GU10 50W MAX 



After hanging all trim, remove labels from crystals. If residue remains, wipe off crystal with a soft, dry cloth.