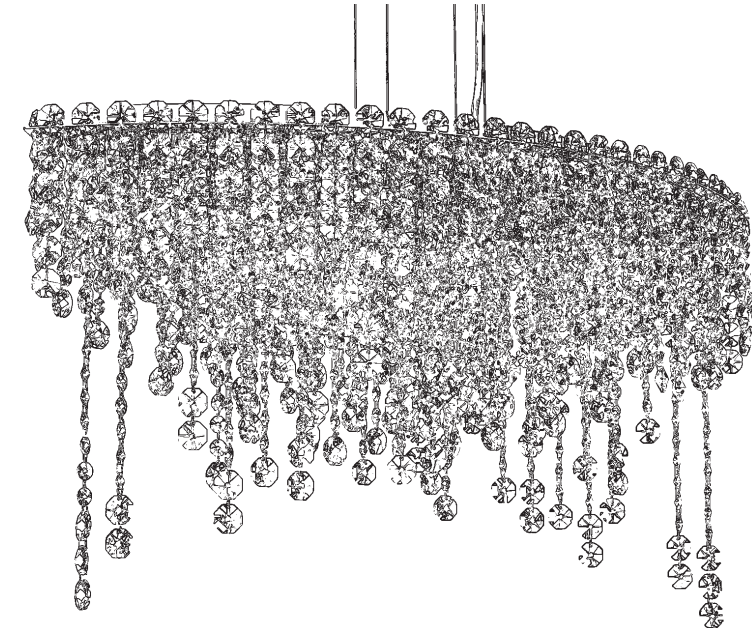


 **SCHONBEK** | 1870











# CHANTANT CH3611N- \_\_ \_\_ O

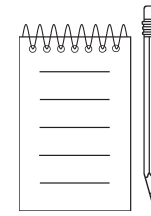
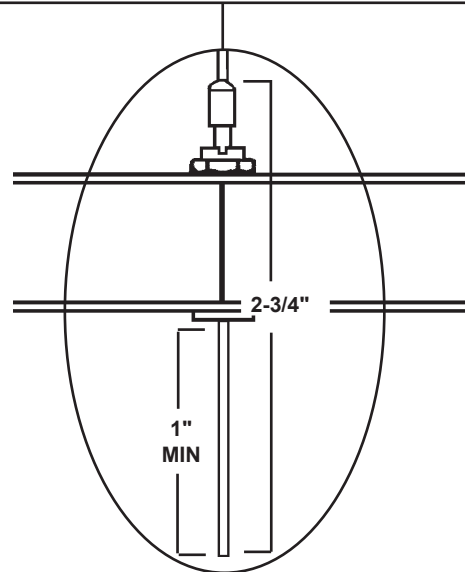
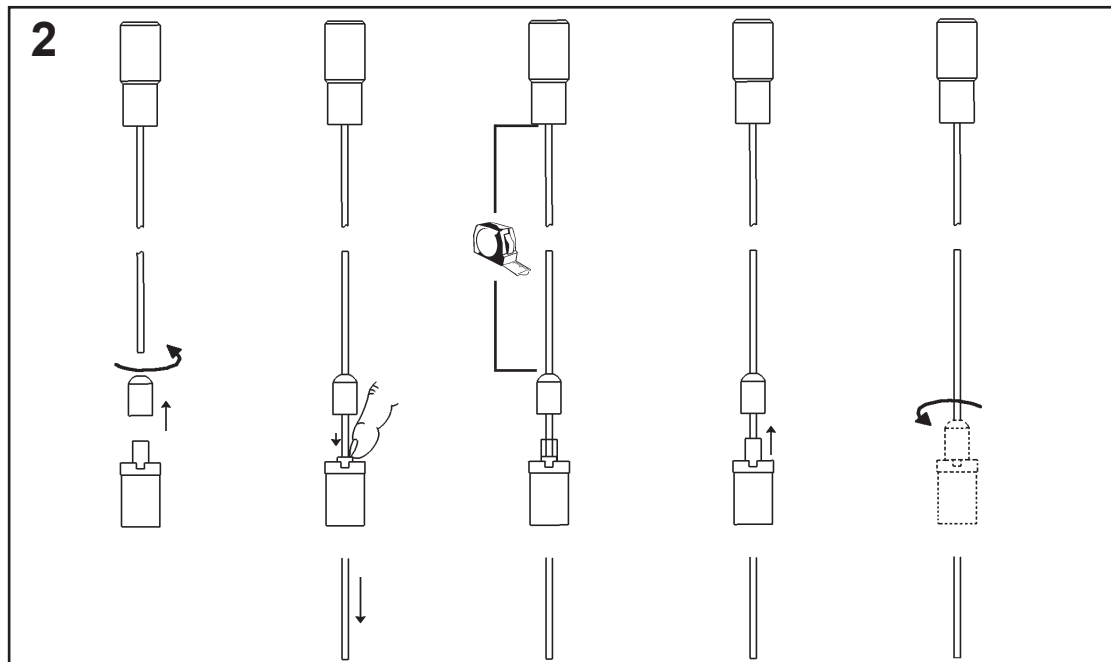
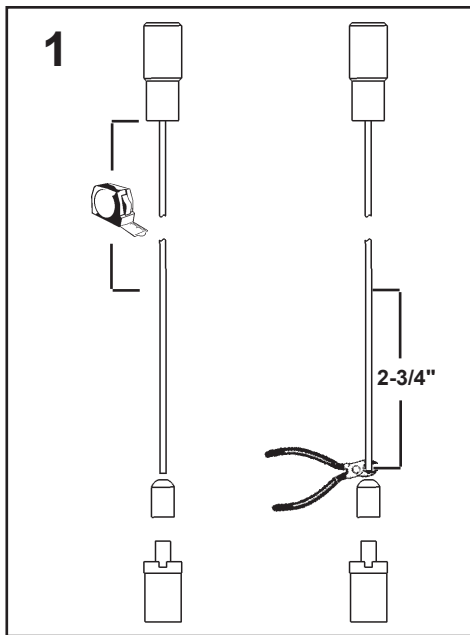


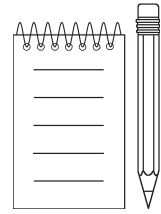
6 Lights  
Length: 33"  
Width: 15"  
Height: 16-1/2"  
Hanging Weight: 13lbs.

**T**HIS DESIGN IS THE PROPRIETARY  
TRADE DRESS/TRADEMARK OF  
W SCHONBEK LLC.

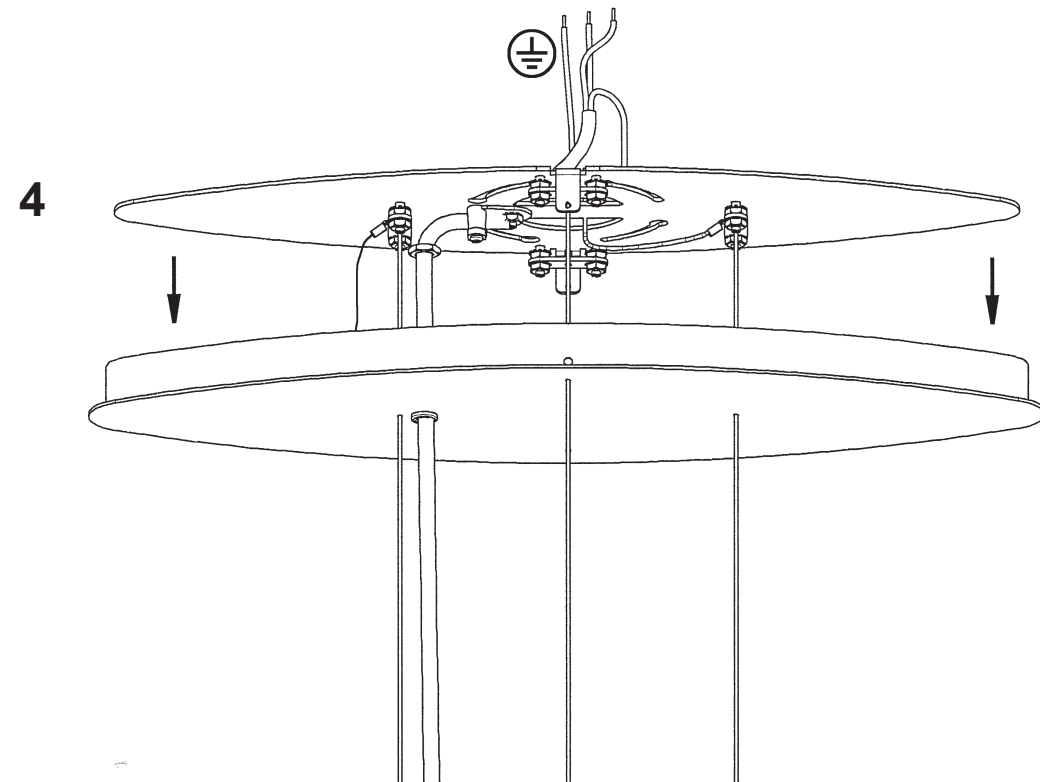
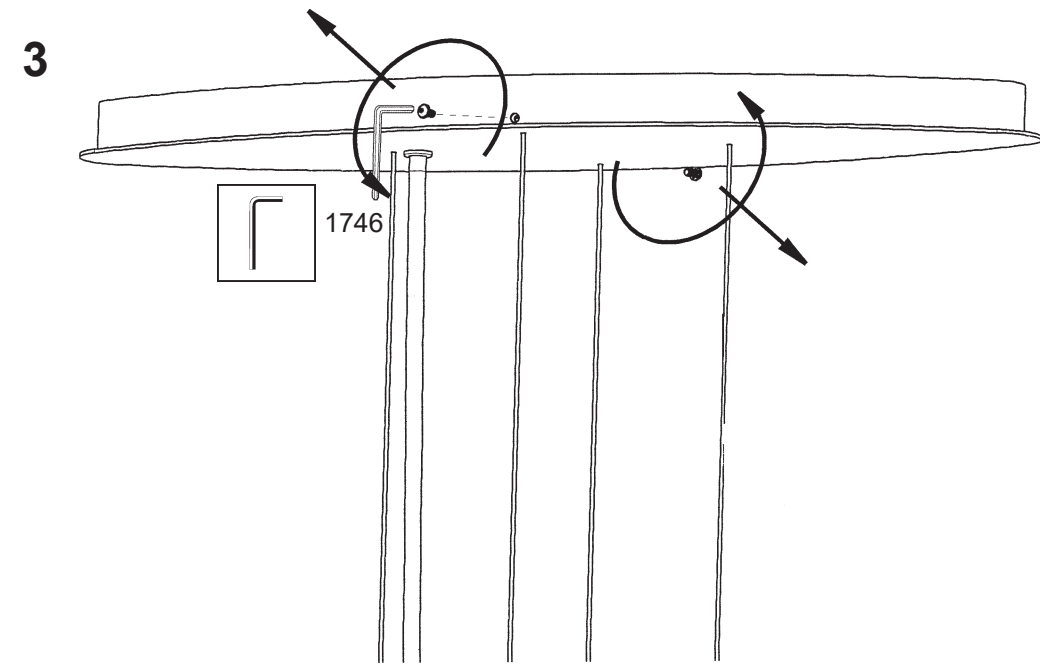
 **SCHONBEK** | 1870

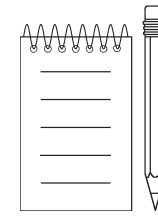
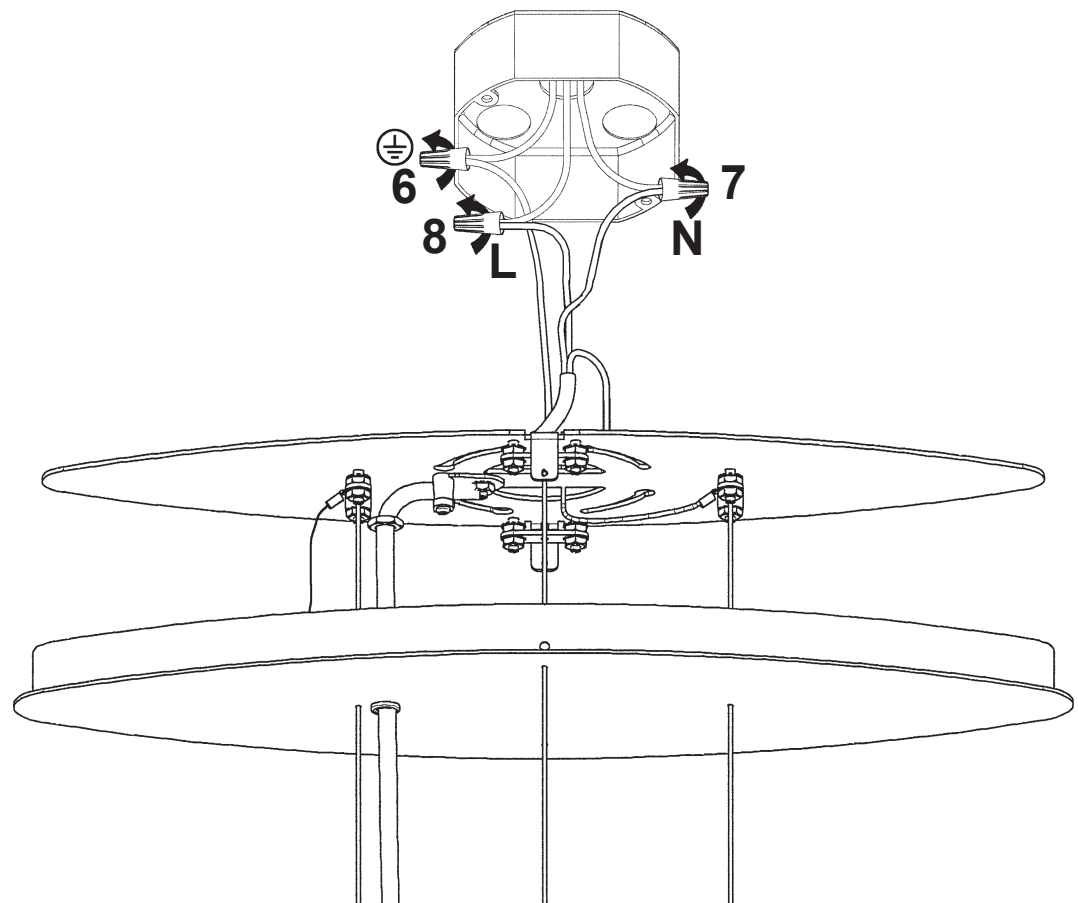
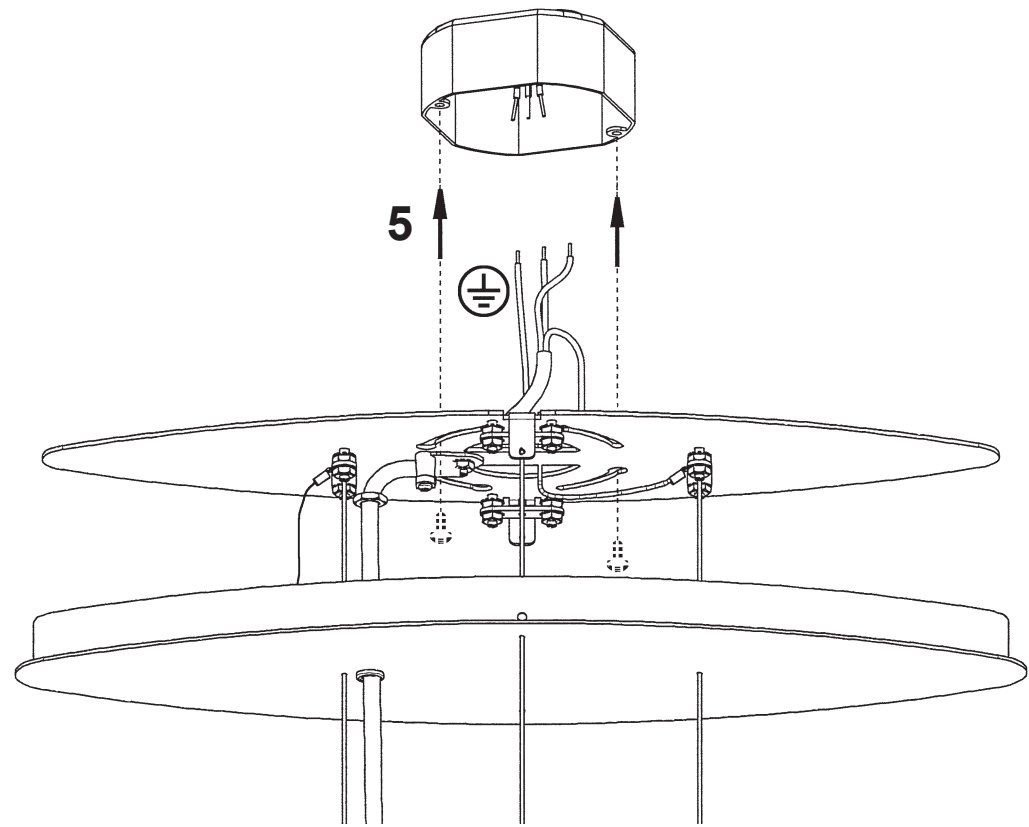
								
MAX 50 W	110-120 V							

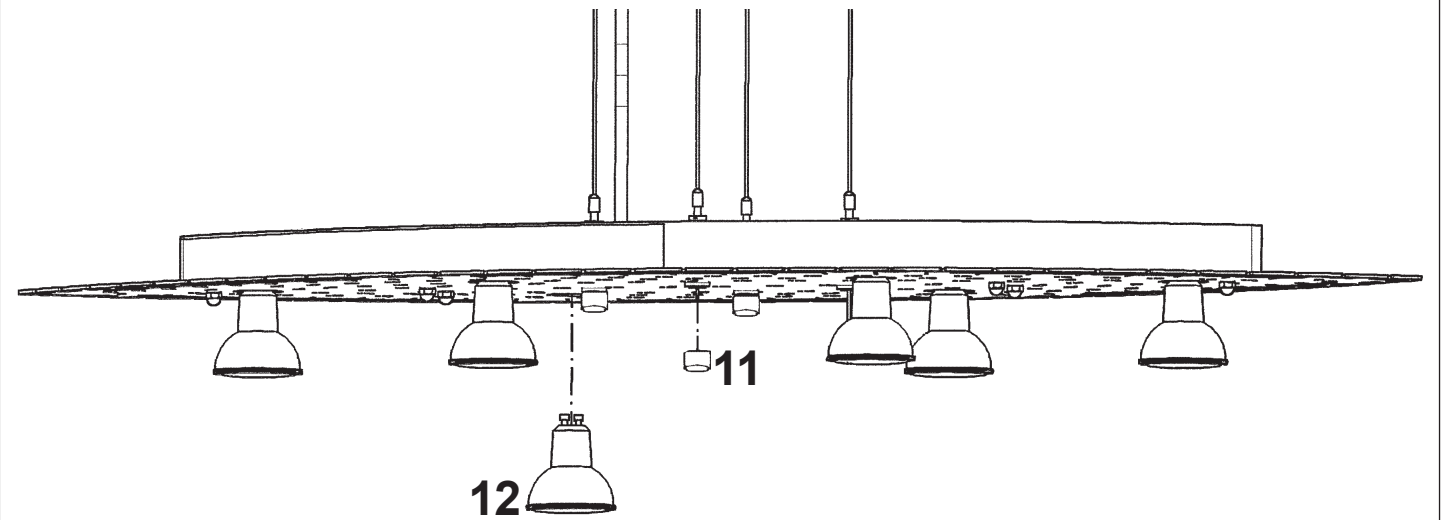
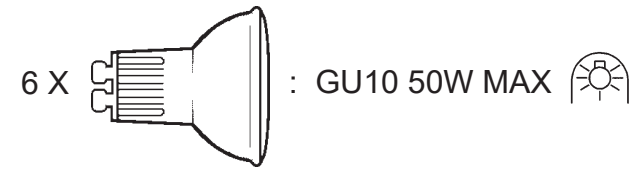
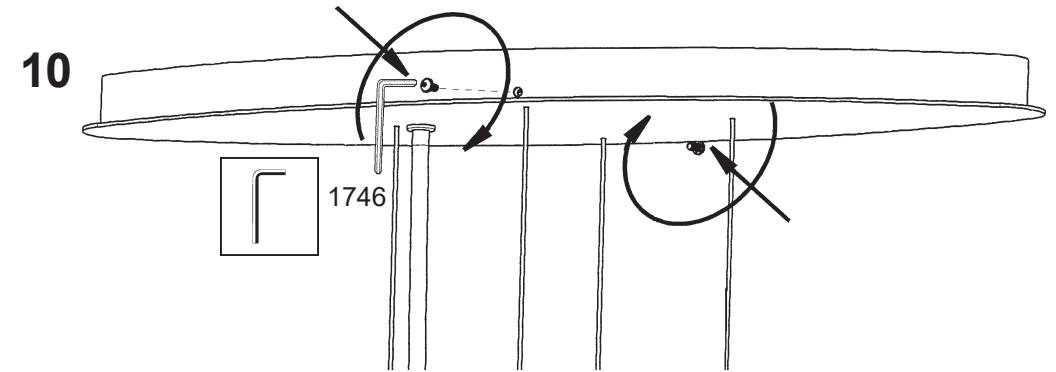
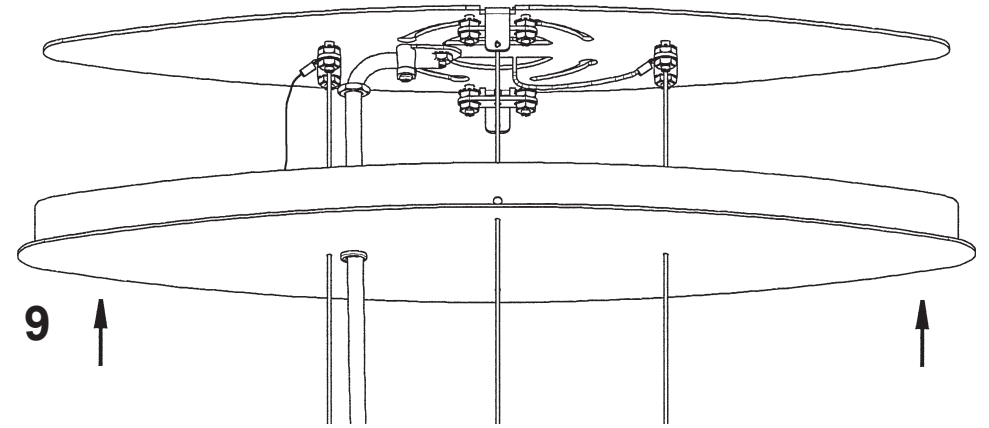
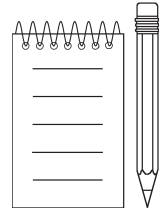


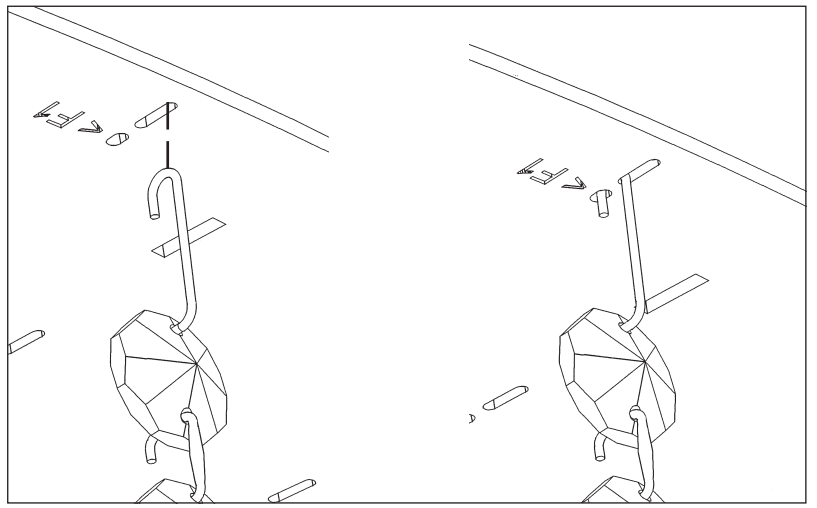
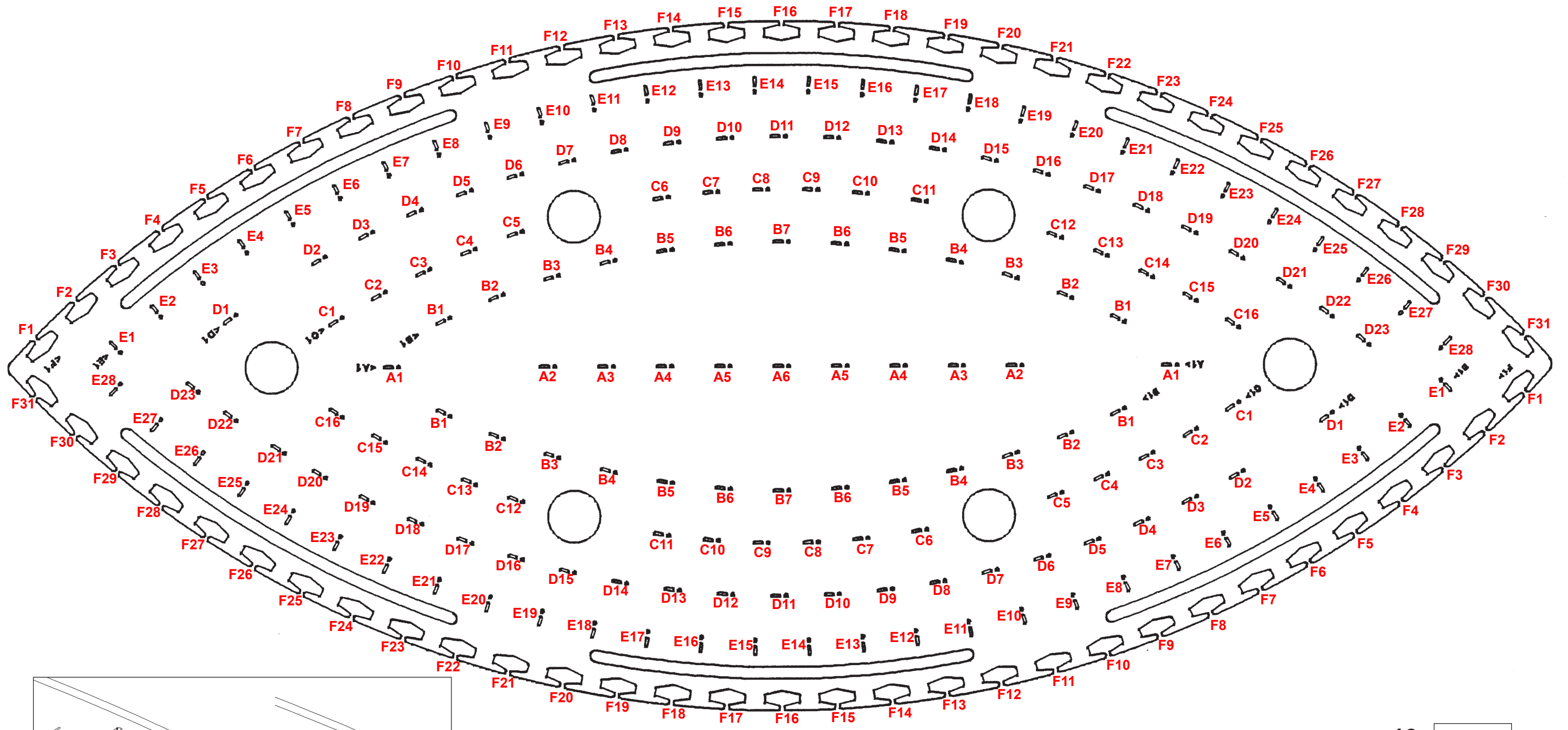


1 X  : 1746







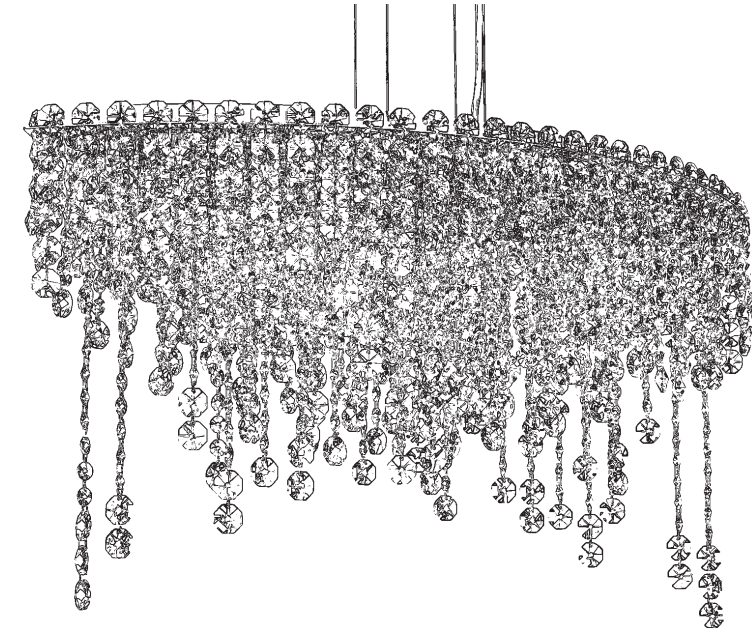


After hanging all trim, remove labels from crystals. If residue remains, wipe off crystal with a soft, dry cloth.

- 13** A1 - A6
- 14** B1 - B7
- 15** C1 - C16
- 16** D1 - D23
- 17** E1 - E28
- 18** F1 - F31

 **SCHONBEK** | 1870











# CHANTANT CH3611N- \_\_ \_\_ R

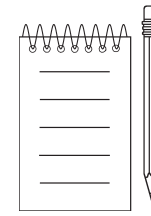
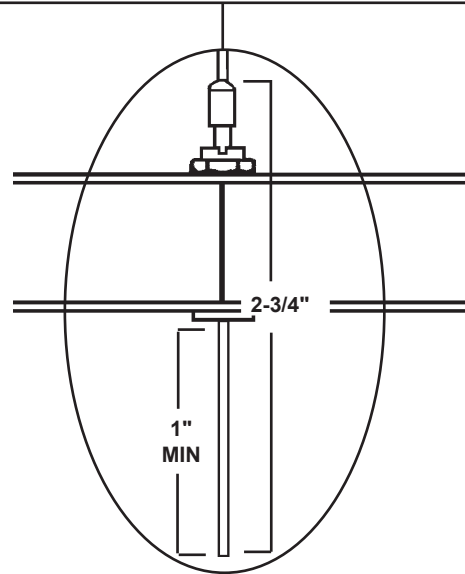
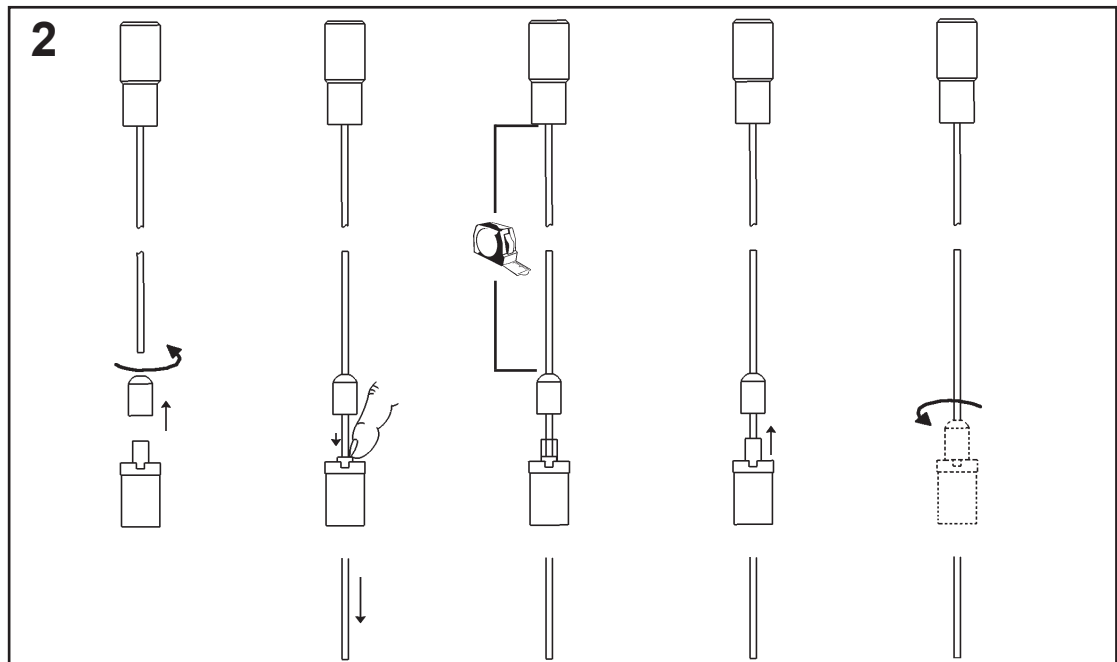
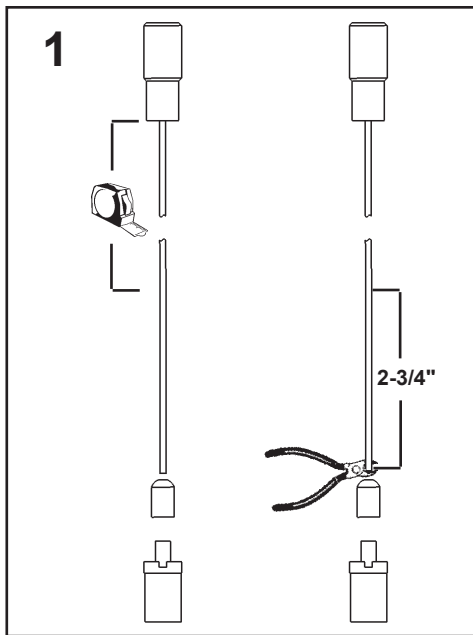


**T**HIS DESIGN IS THE PROPRIETARY  
TRADE DRESS/TRADEMARK OF  
W SCHONBEK LLC.

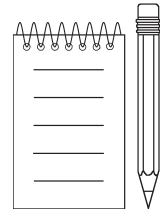
6 Lights  
Length: 33"  
Width: 15"  
Height: 16-1/2"  
Hanging Weight: 13lbs.

 **SCHONBEK** | 1870

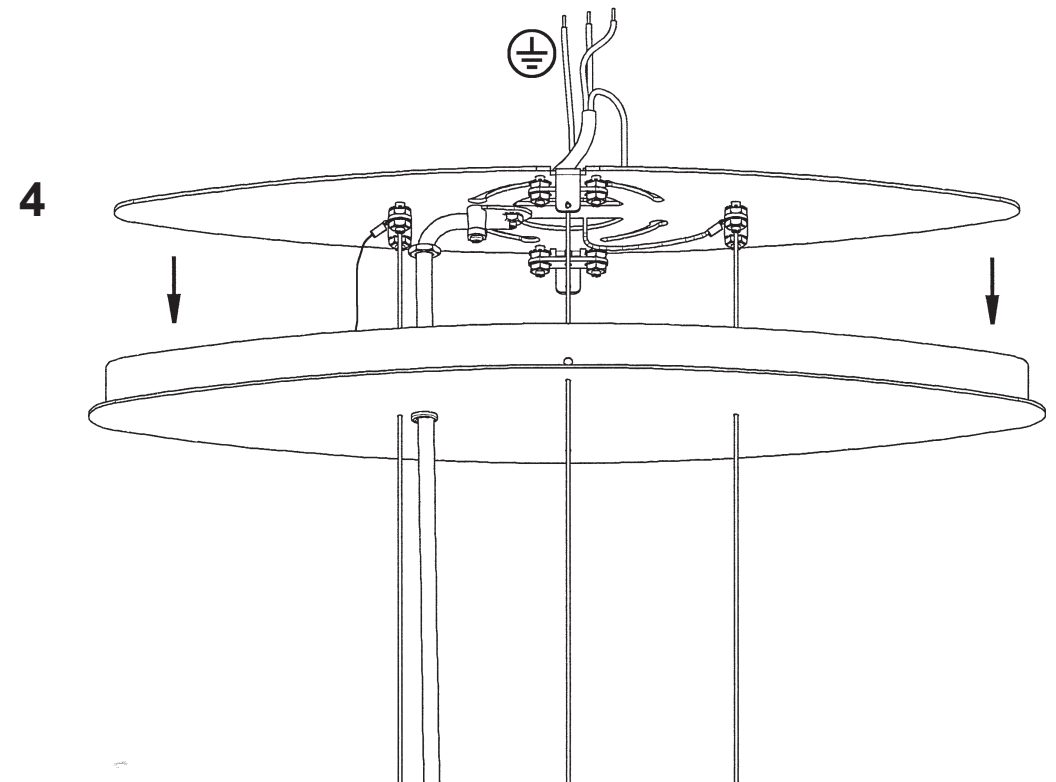
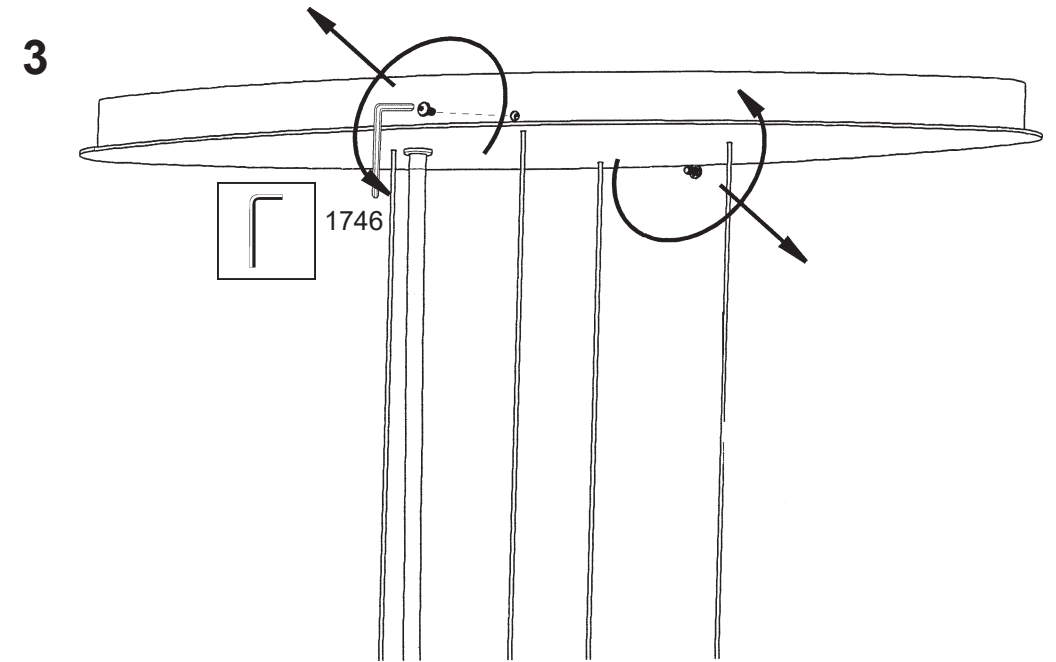
								
MAX 50 W	110-120 V							

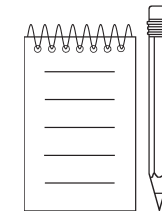
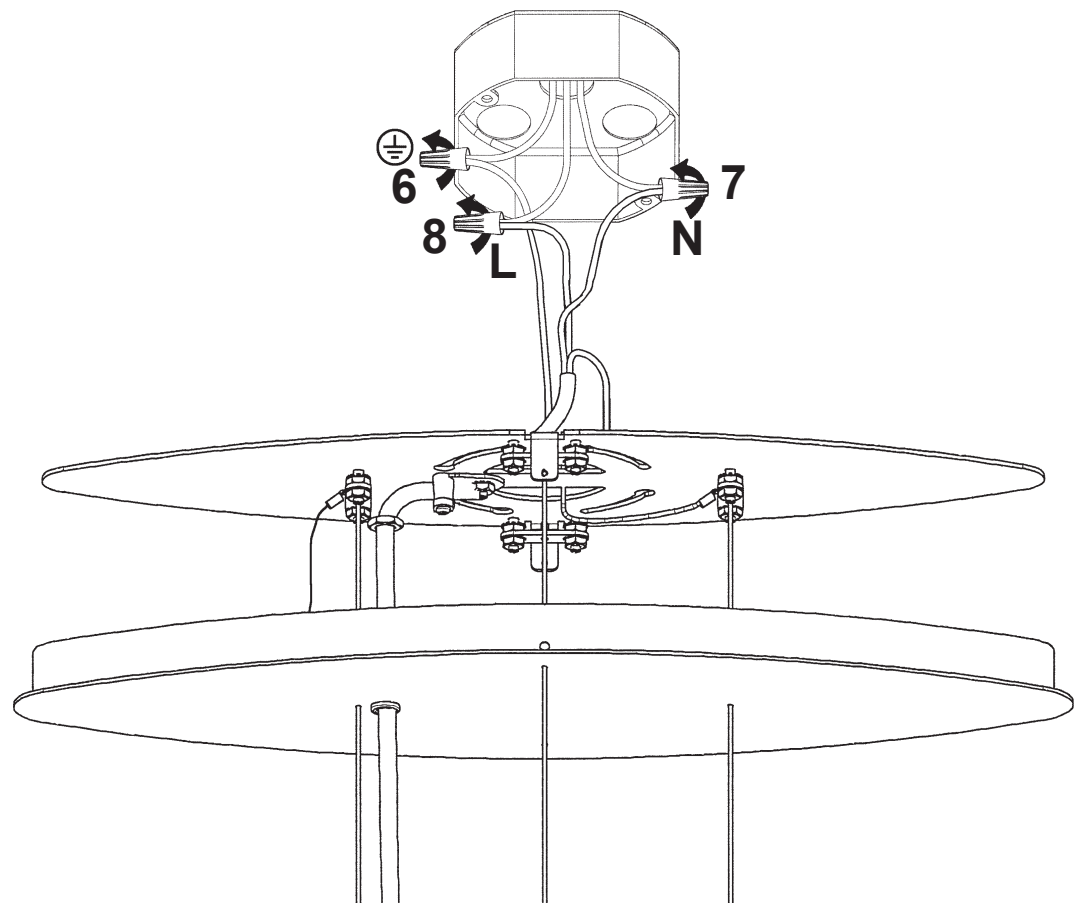
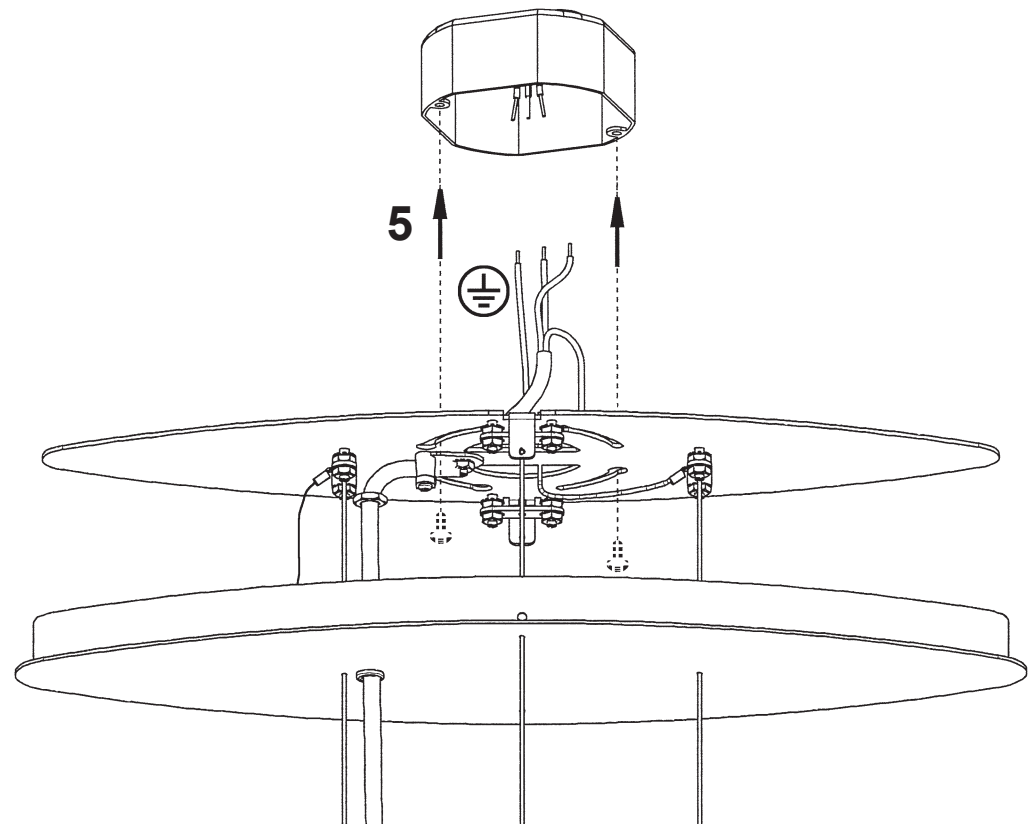


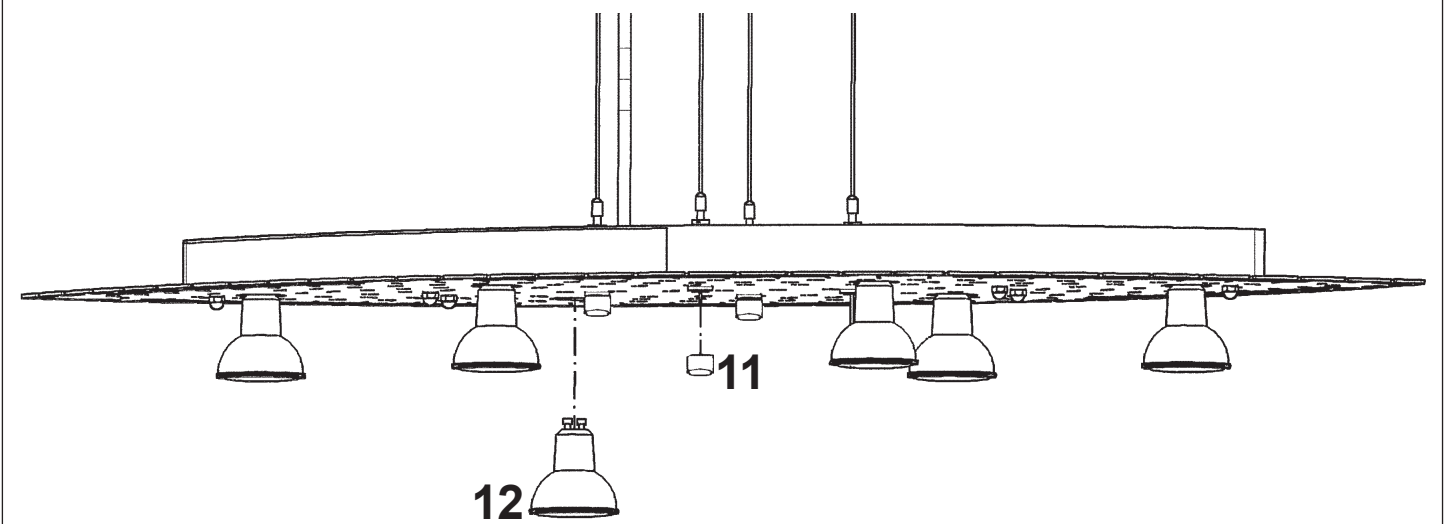
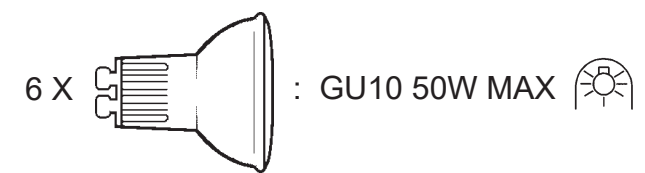
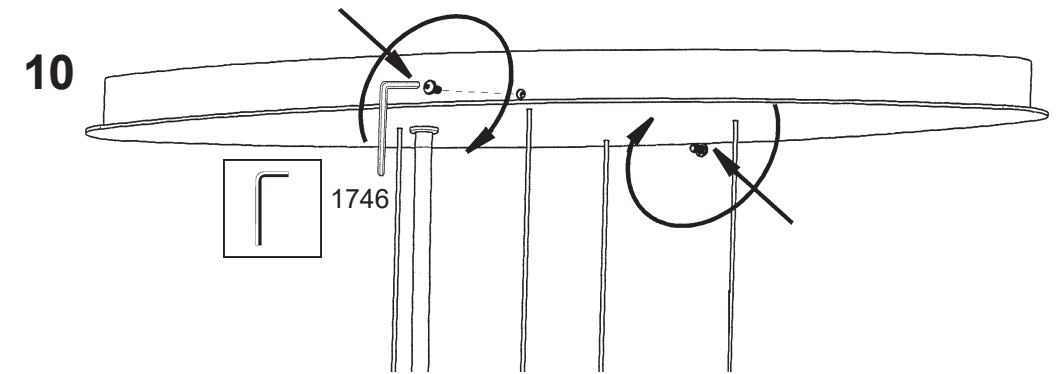
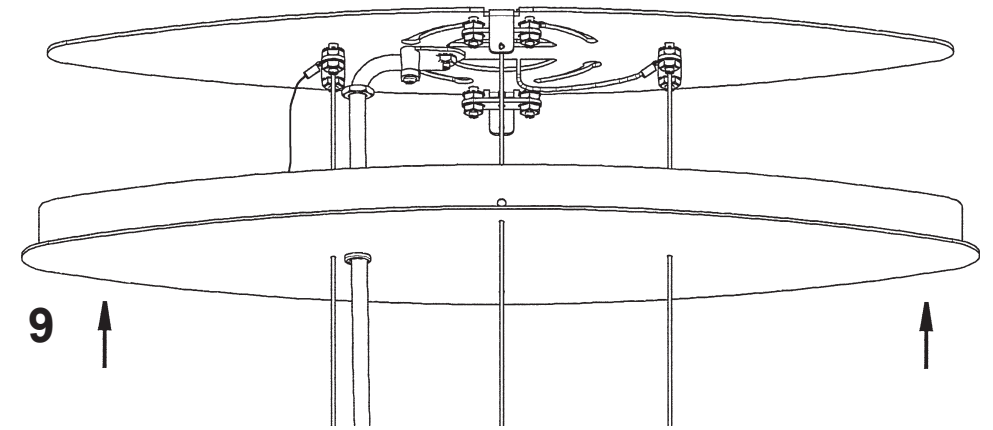
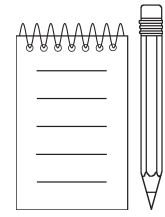


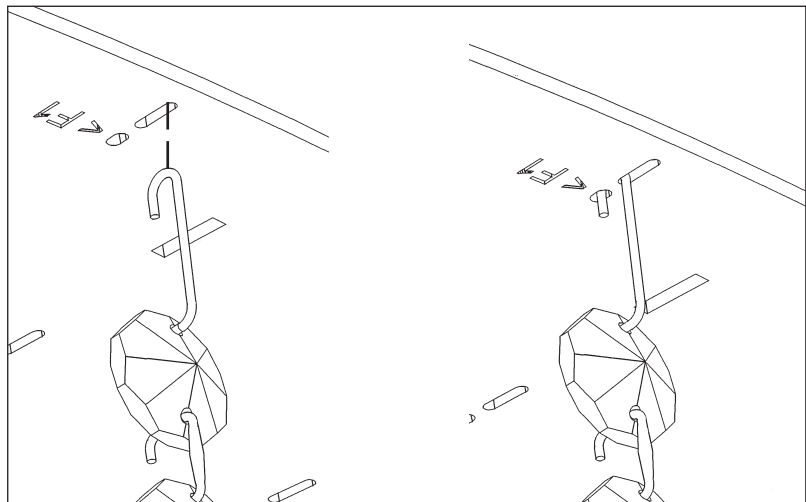
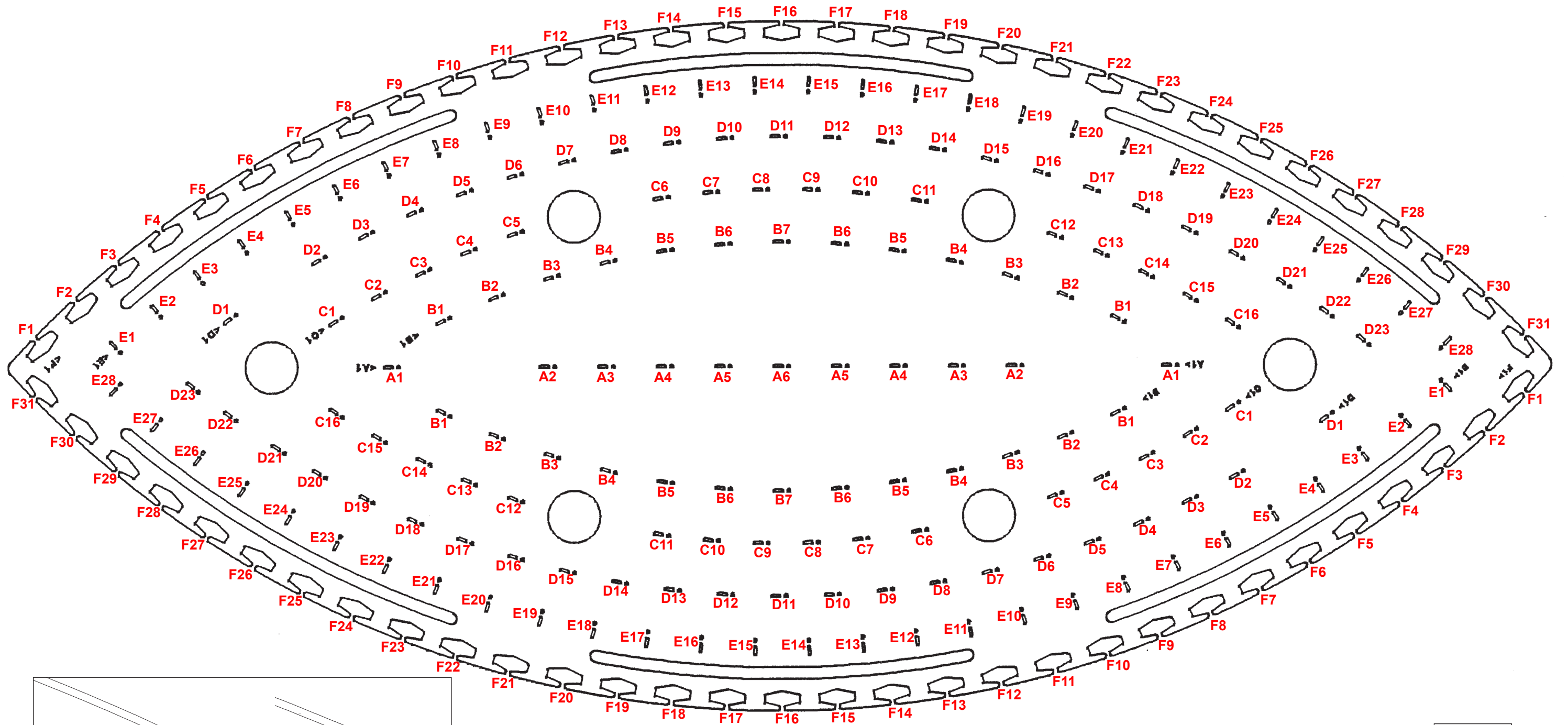


1 X  : 1746









After hanging all trim, remove labels from crystals. If residue remains, wipe off crystal with a soft, dry cloth.

- 13** A1 - A6
- 14** B1 - B7
- 15** C1 - C16
- 16** D1 - D23
- 17** E1 - E28
- 18** F1 - F31