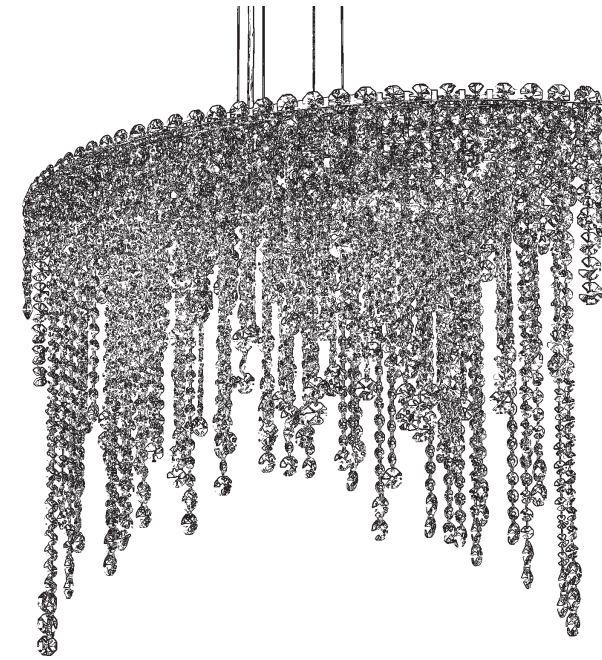


 **SCHONBEK** | 1870










CHANTANT CH3612N- __ __ O

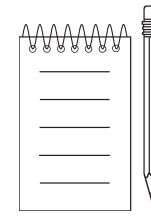
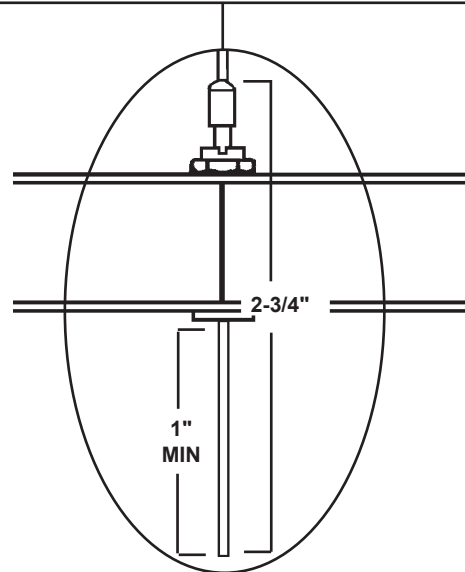
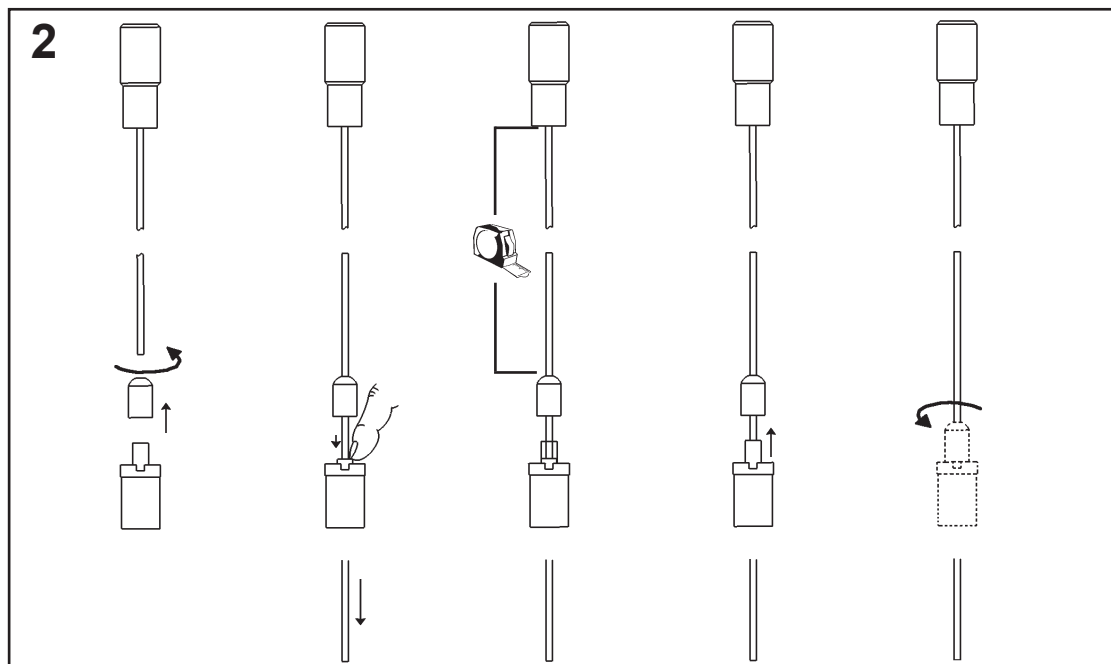
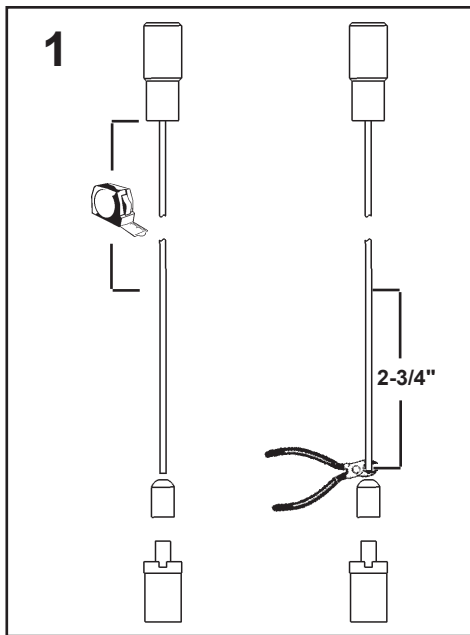


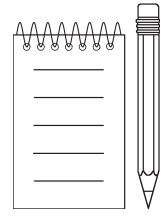
6 Lights
Length: 33"
Width: 15"
Height: 24"
Hanging Weight: 32lbs.

THIS DESIGN IS THE PROPRIETARY
TRADE DRESS/TRADEMARK OF
W SCHONBEK LLC.

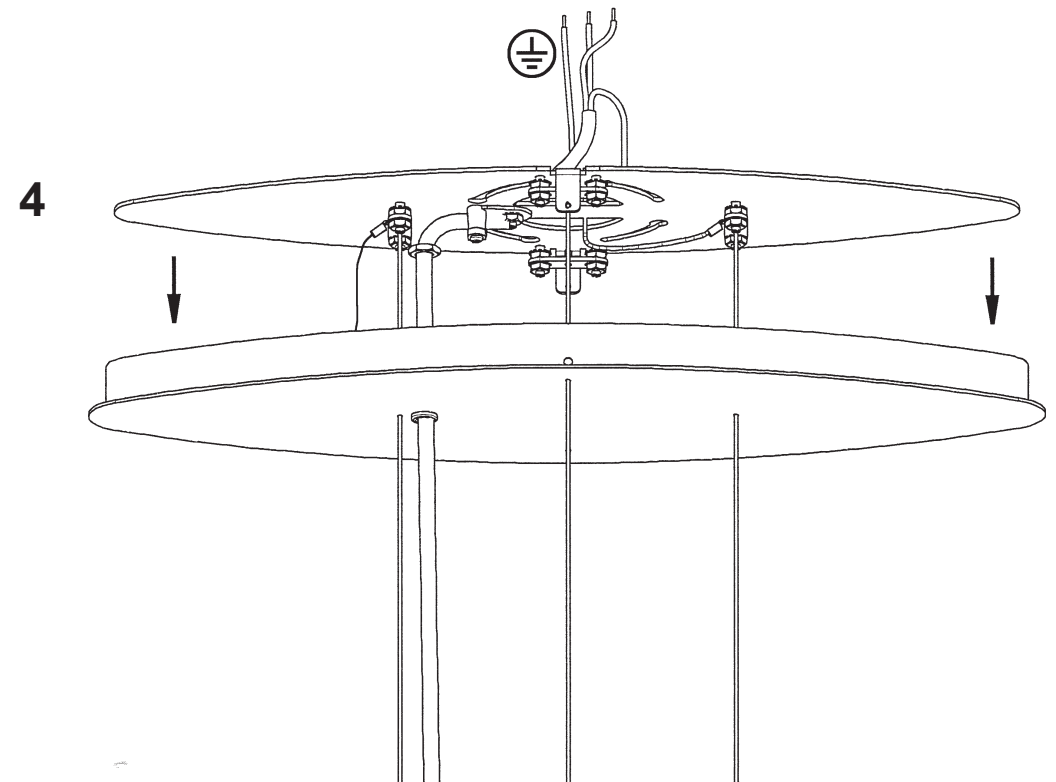
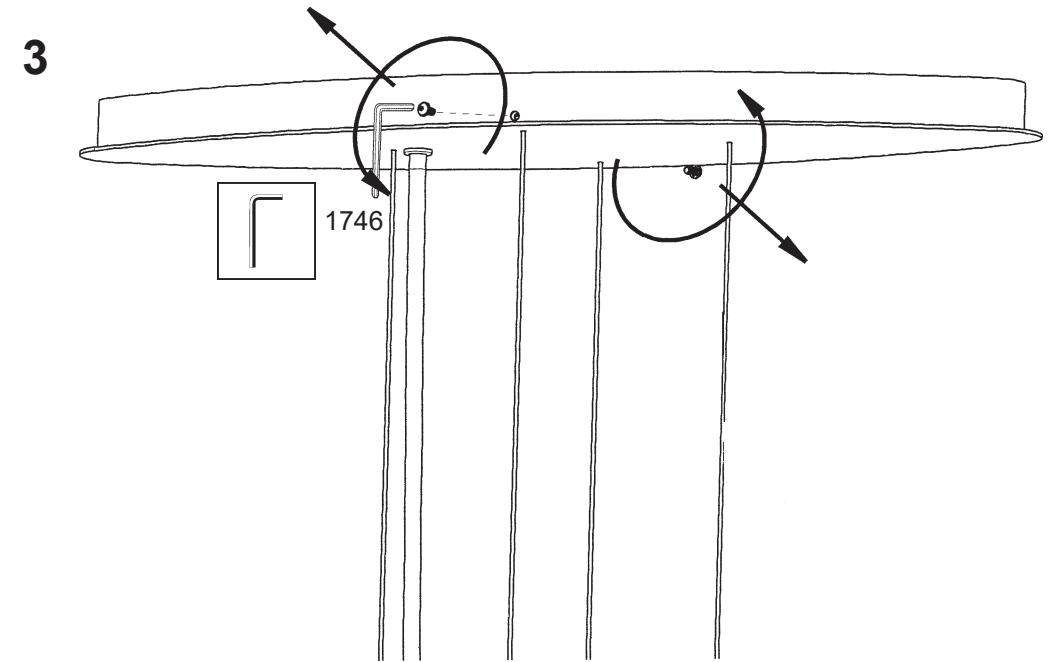
 **SCHONBEK** | 1870

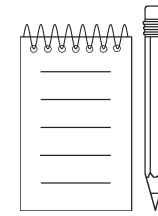
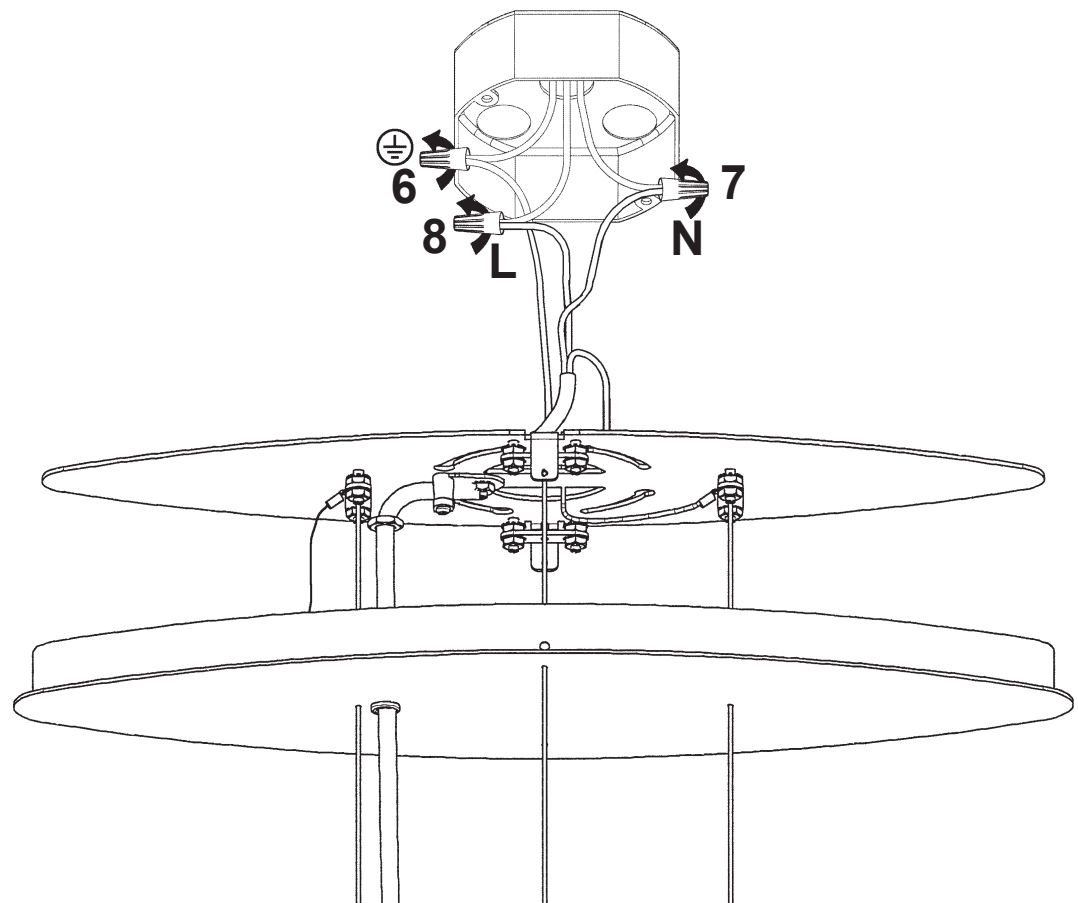
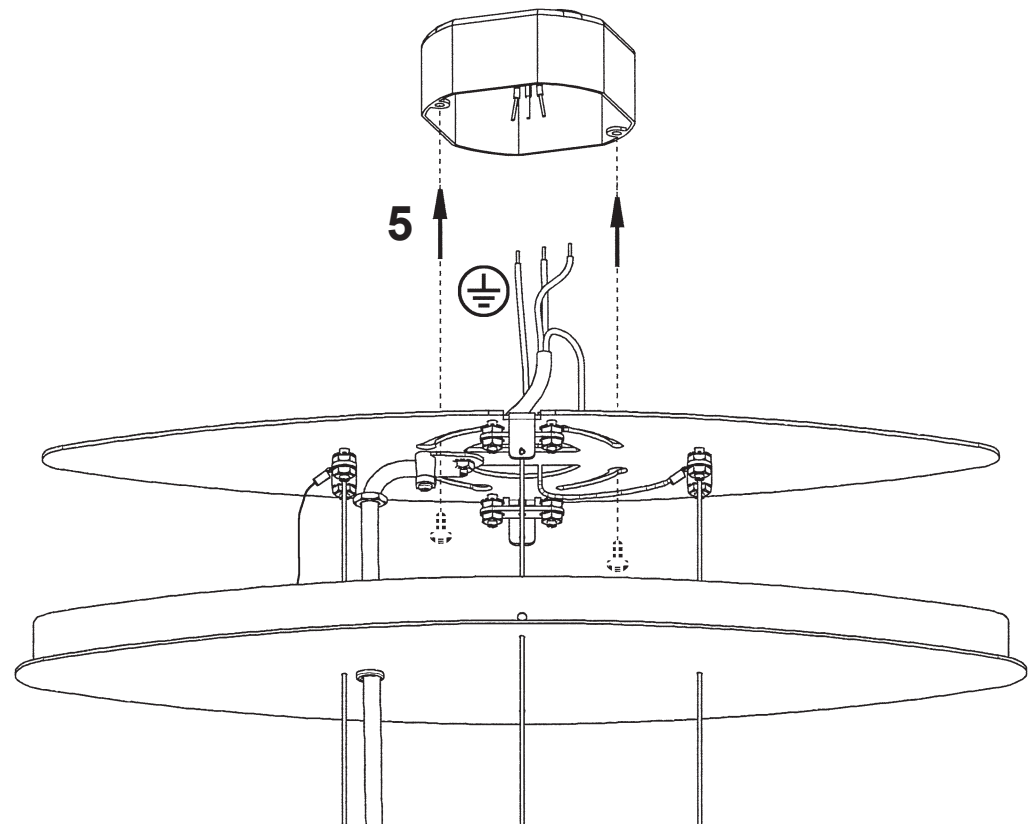
			S					
MAX 50 W	110-120 V							

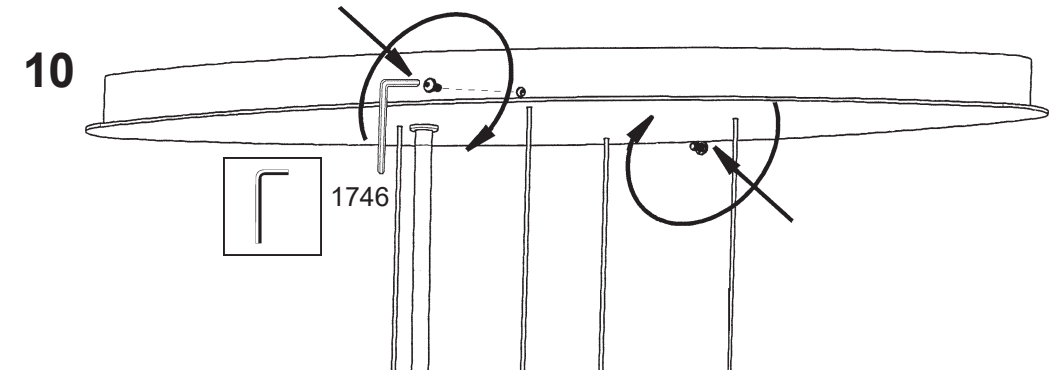
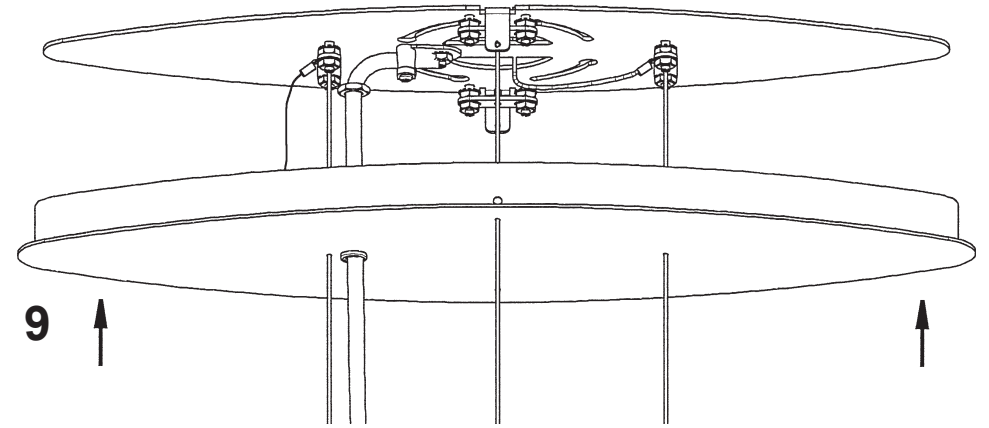
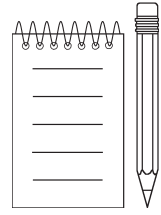


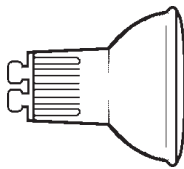



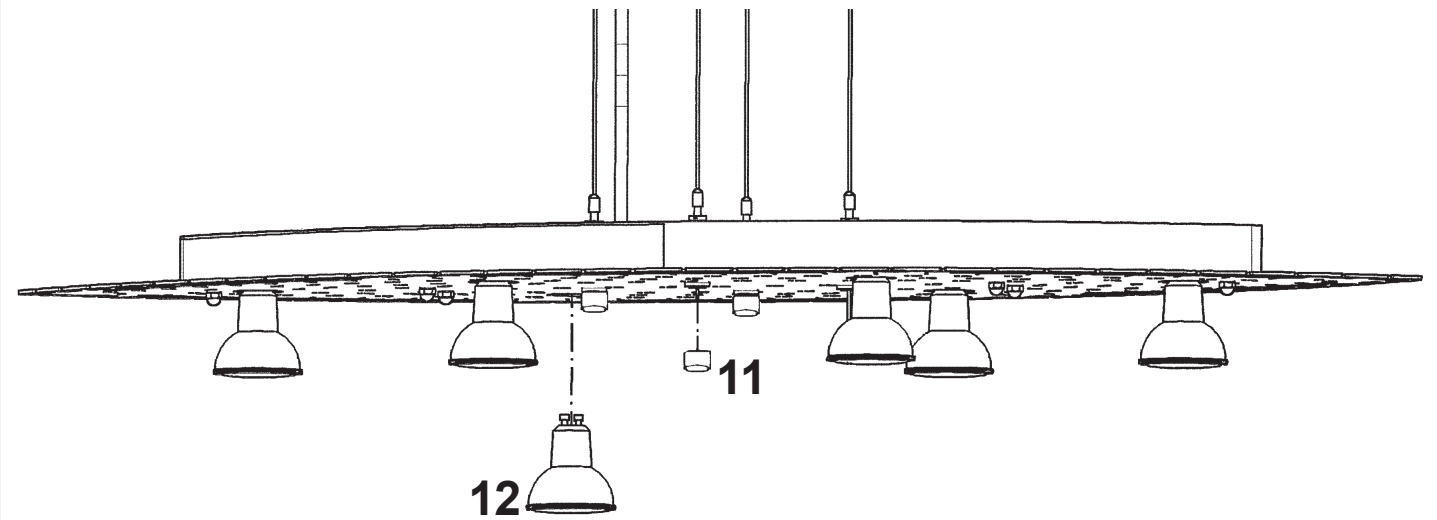
1 X  : 1746

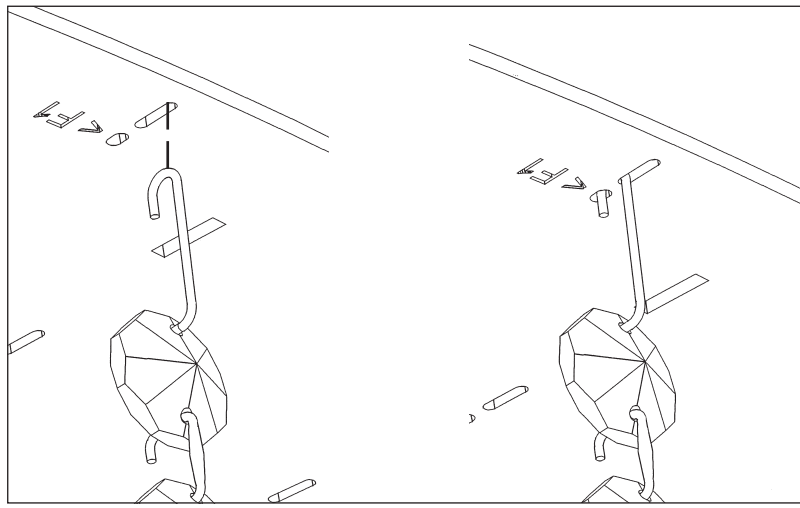
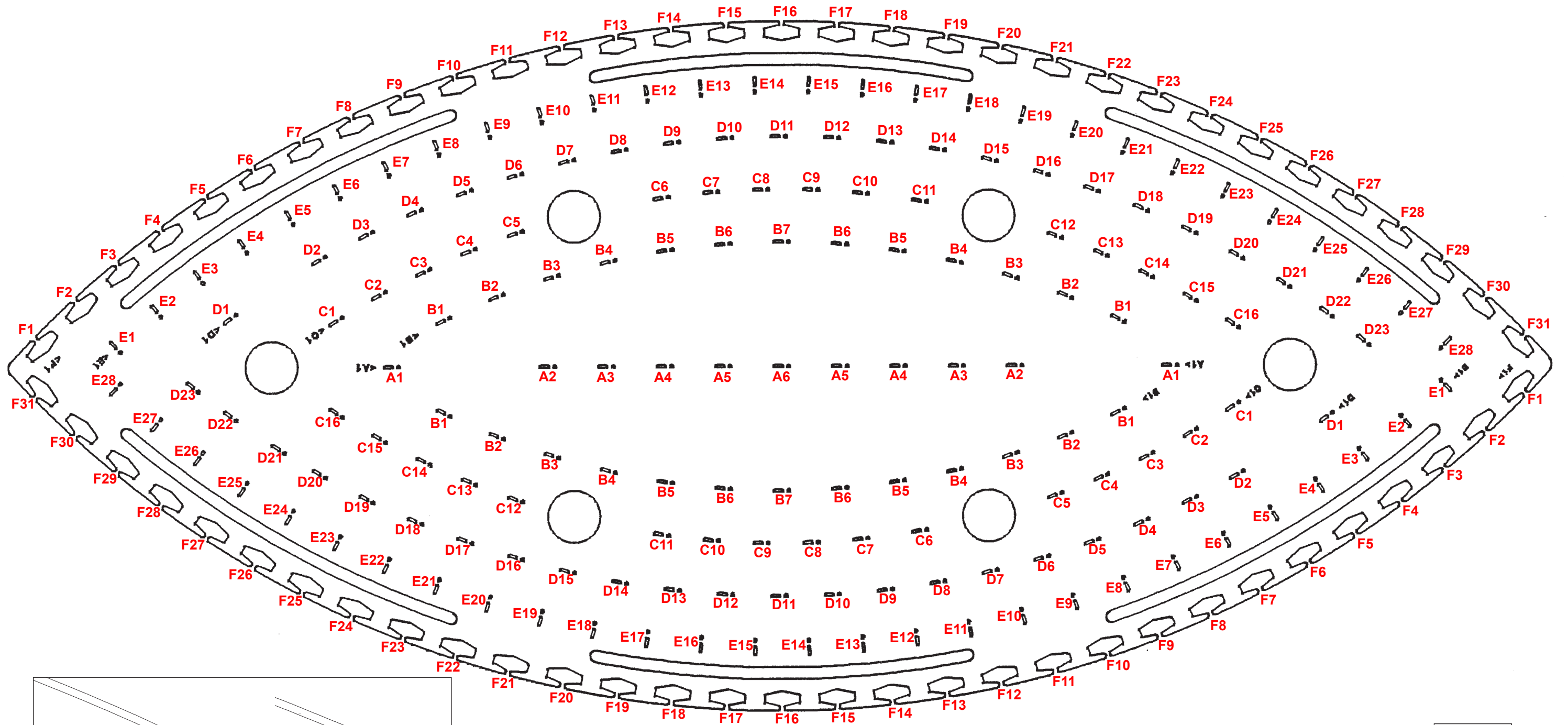






6 X  : GU10 50W MAX 



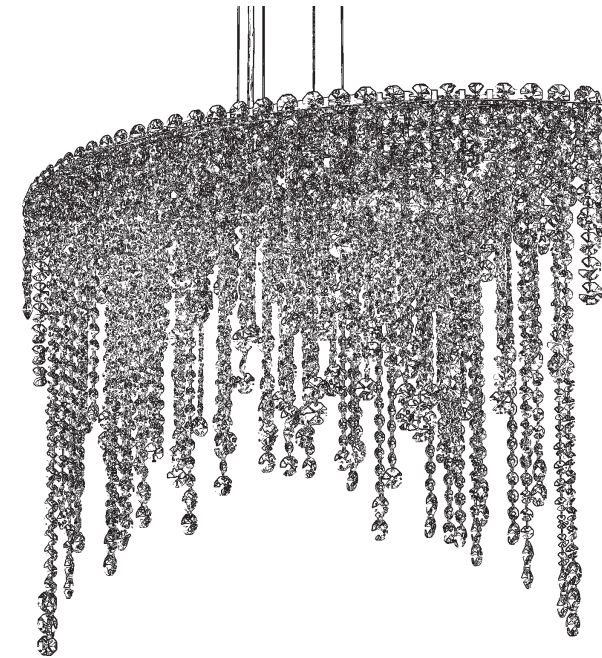


After hanging all trim, remove labels from crystals. If residue remains, wipe off crystal with a soft, dry cloth.

- 13** A1 - A6
- 14** B1 - B7
- 15** C1 - C16
- 16** D1 - D23
- 17** E1 - E28
- 18** F1 - F31

 **SCHONBEK** | 1870










CHANTANT CH3612N- __ __ R

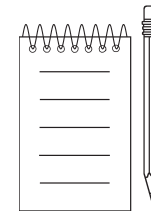
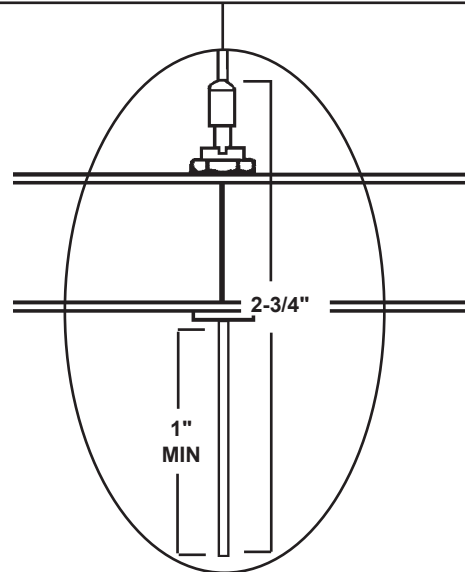
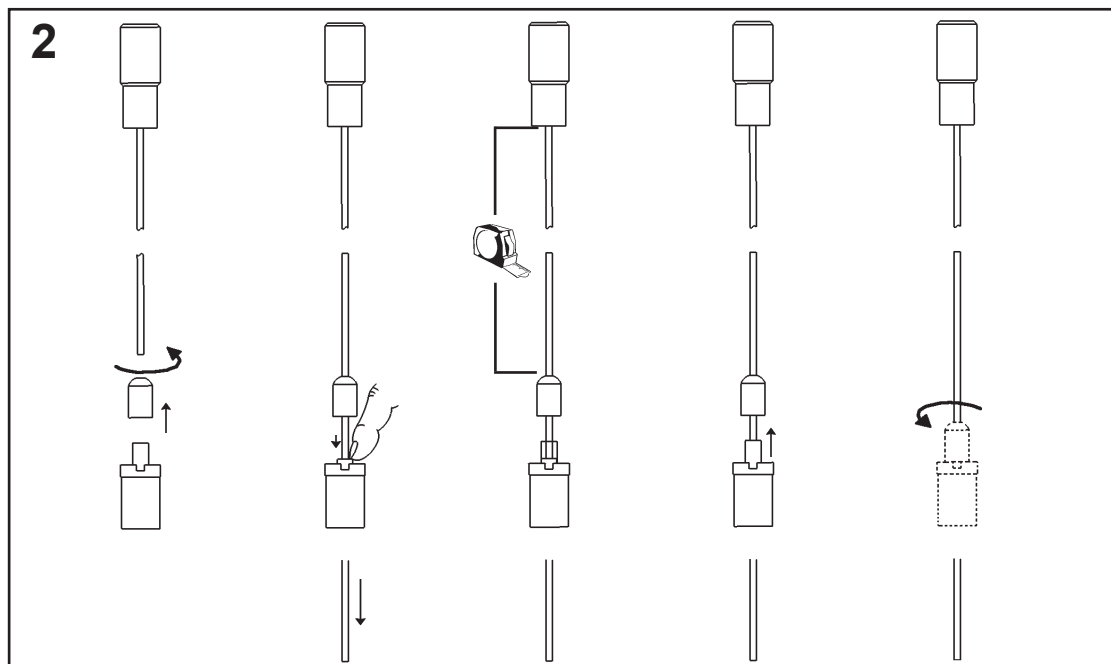
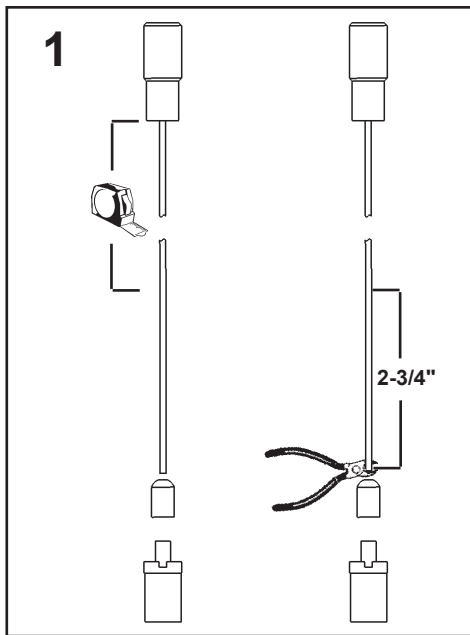


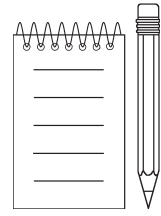
6 Lights
Length: 33"
Width: 15"
Height: 24"
Hanging Weight: 32lbs.

THIS DESIGN IS THE PROPRIETARY
TRADE DRESS/TRADEMARK OF
W SCHONBEK LLC.

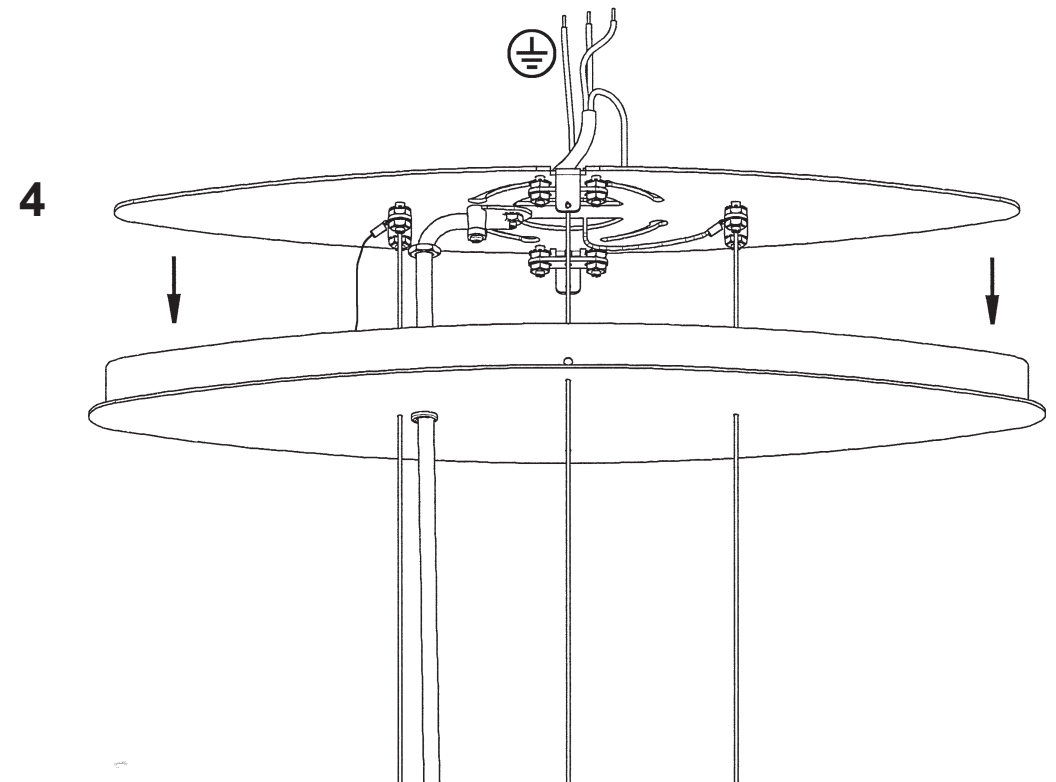
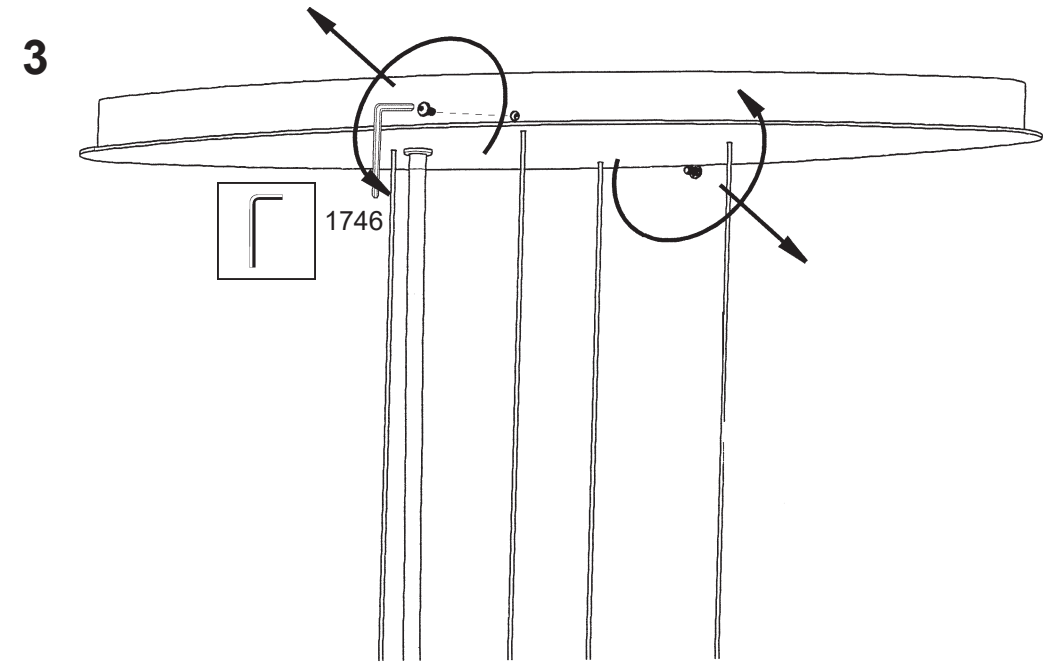
 **SCHONBEK** | 1870

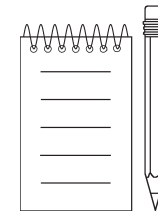
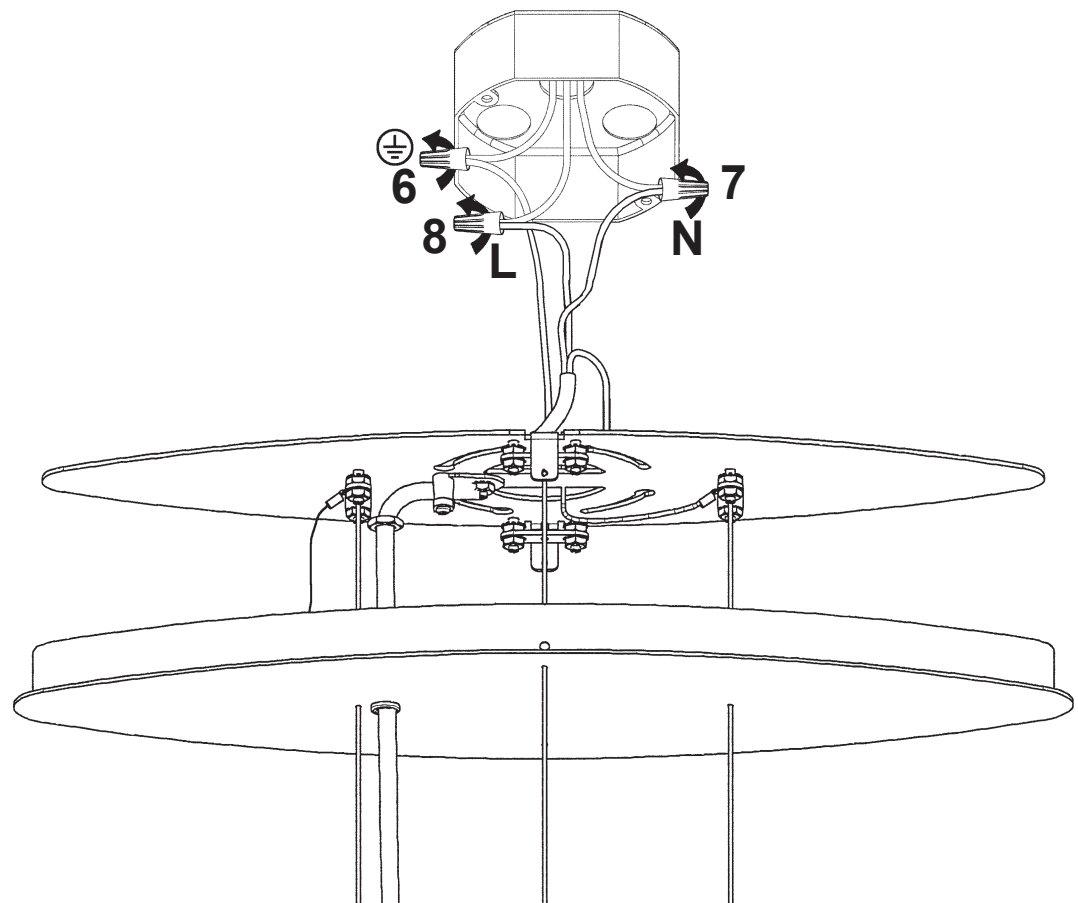
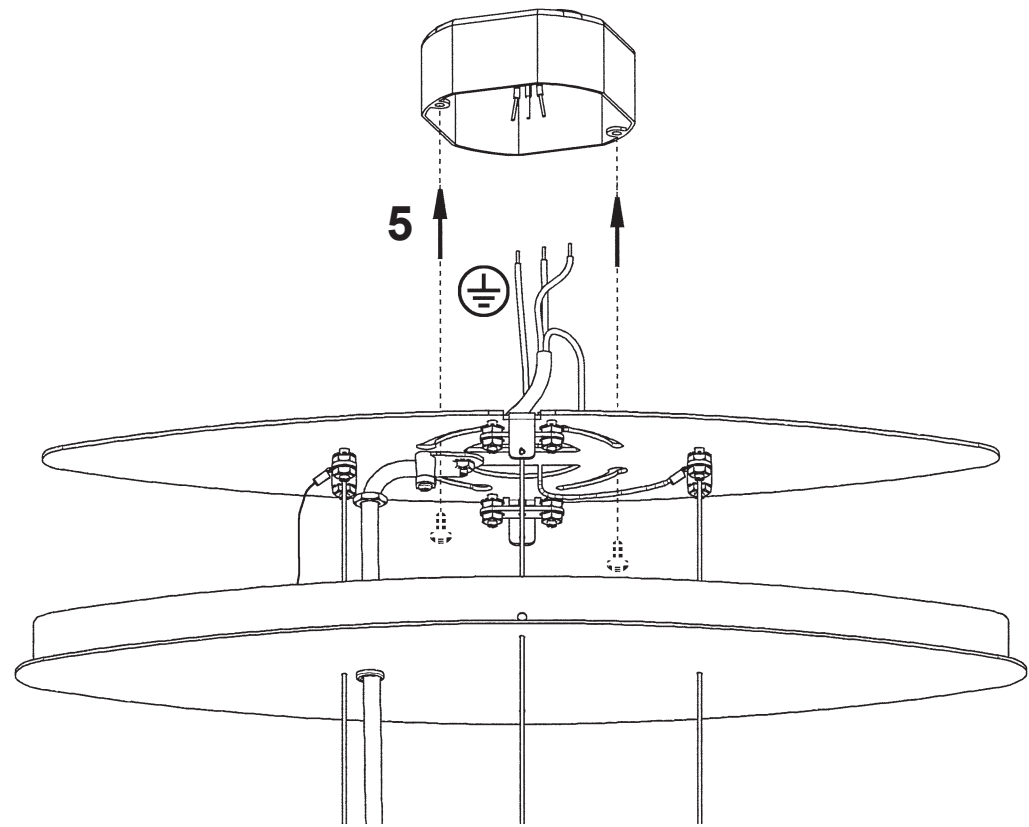
			S					
MAX 50 W	110-120 V							

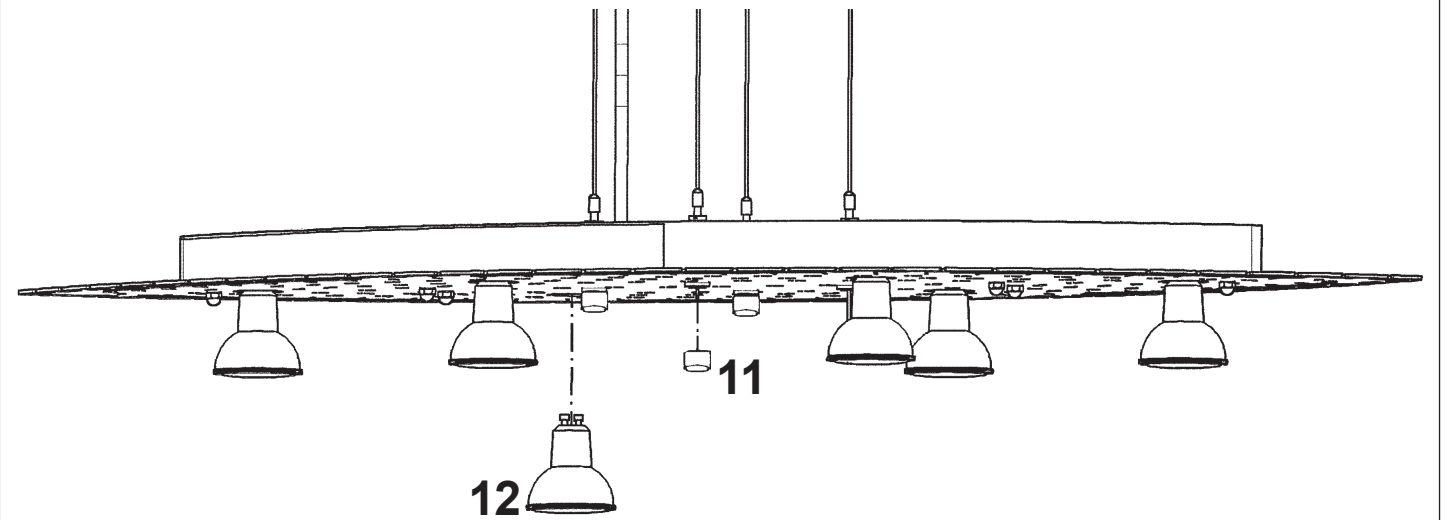
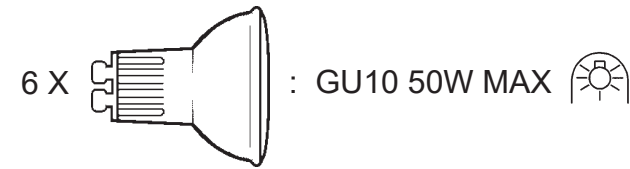
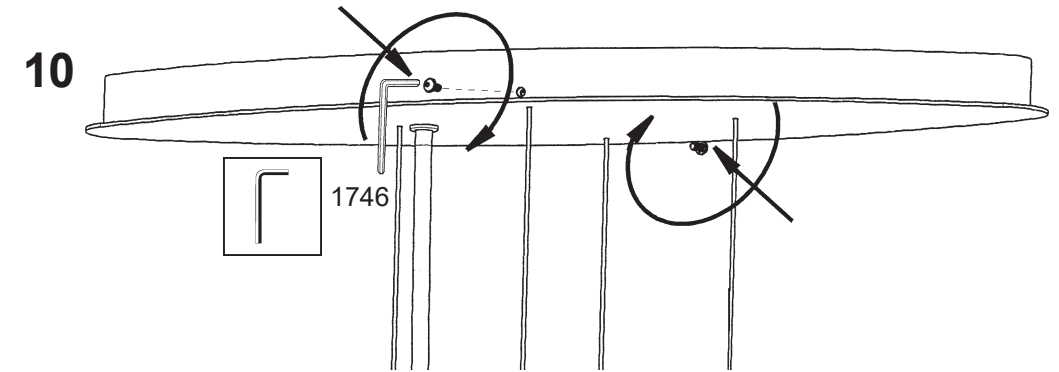
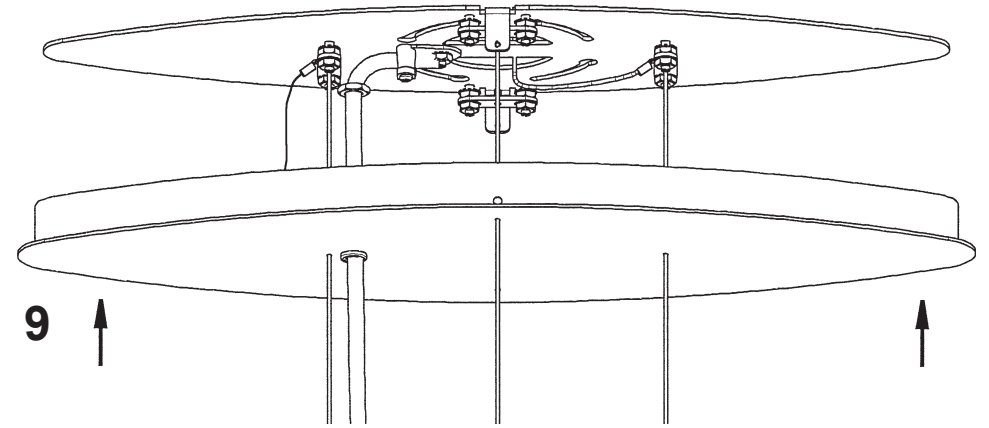
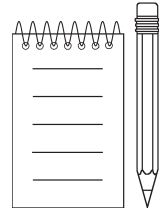


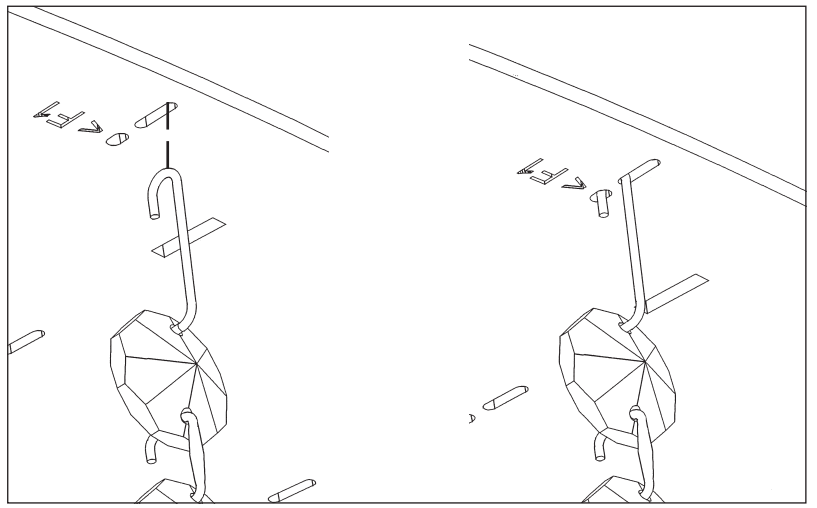
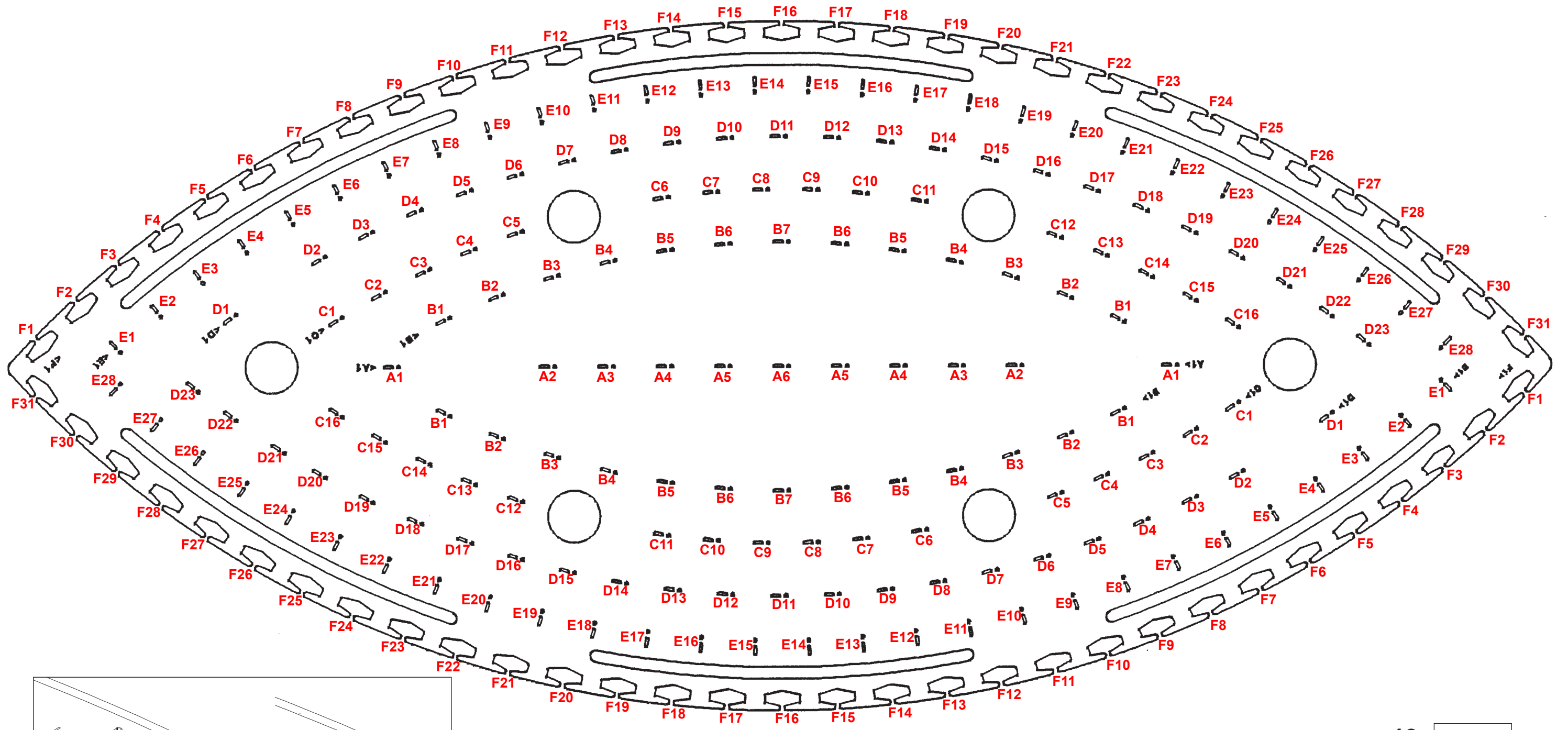


1 X  : 1746









After hanging all trim, remove labels from crystals. If residue remains, wipe off crystal with a soft, dry cloth.

- 13** A1 - A6
- 14** B1 - B7
- 15** C1 - C16
- 16** D1 - D23
- 17** E1 - E28
- 18** F1 - F31