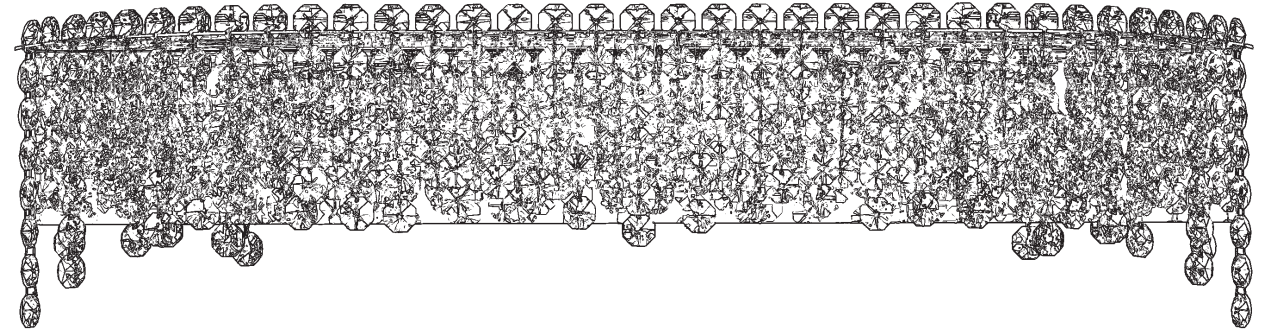


 **SCHONBEK** | 1870











CHANTANT CH3640N- __ __ O

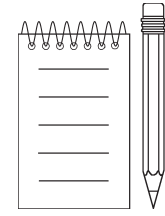
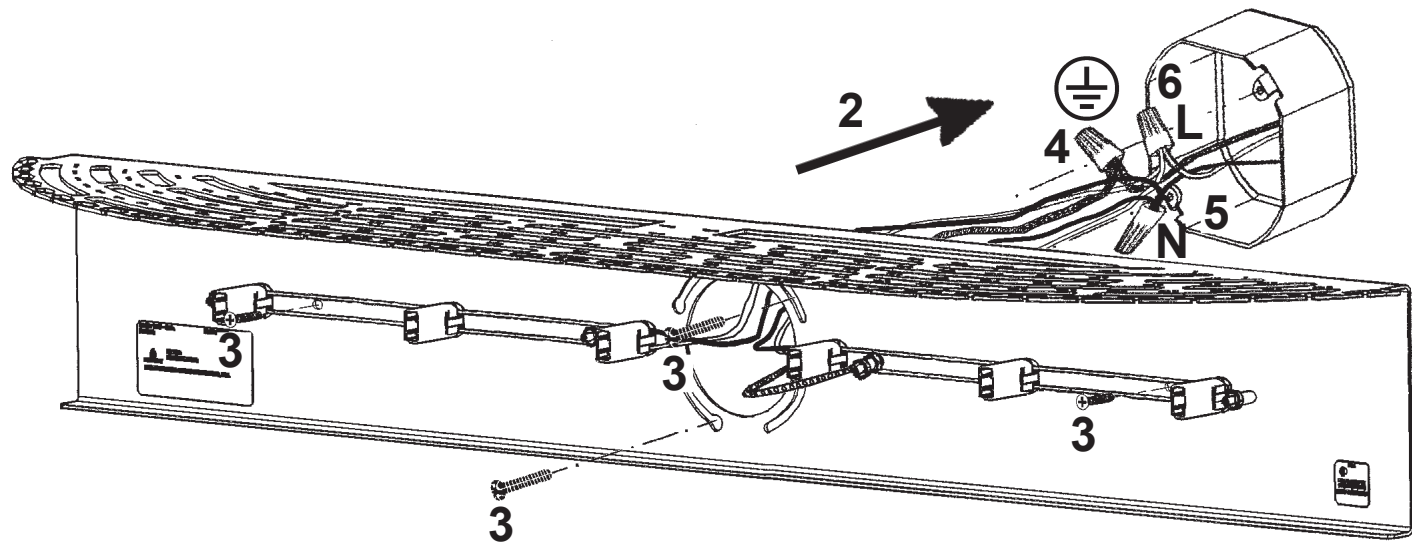
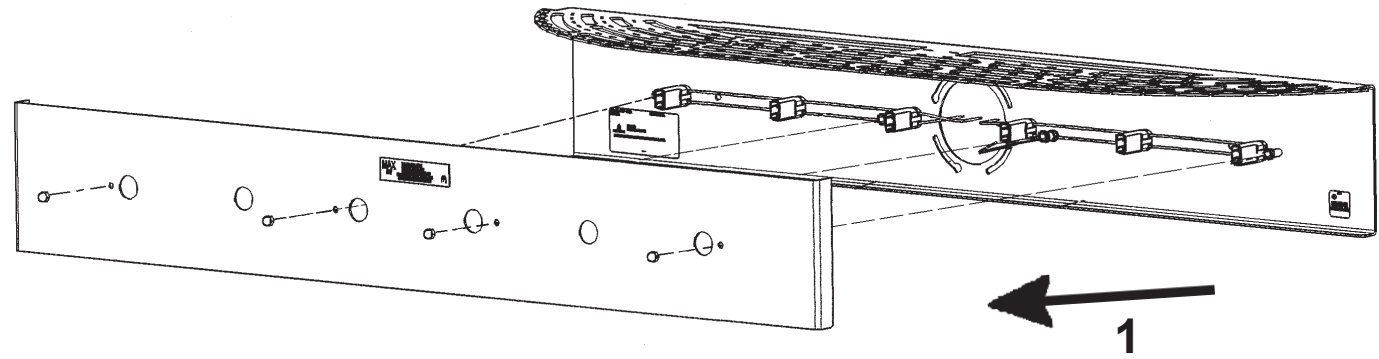


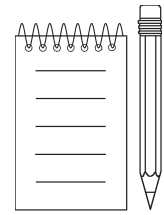
THIS DESIGN IS THE PROPRIETARY
TRADE DRESS/TRADEMARK OF
W SCHONBEK LLC.



6 Lights
Length: 36"
Height: 9"
Extension: 7"
Hanging Weight: 17lbs.

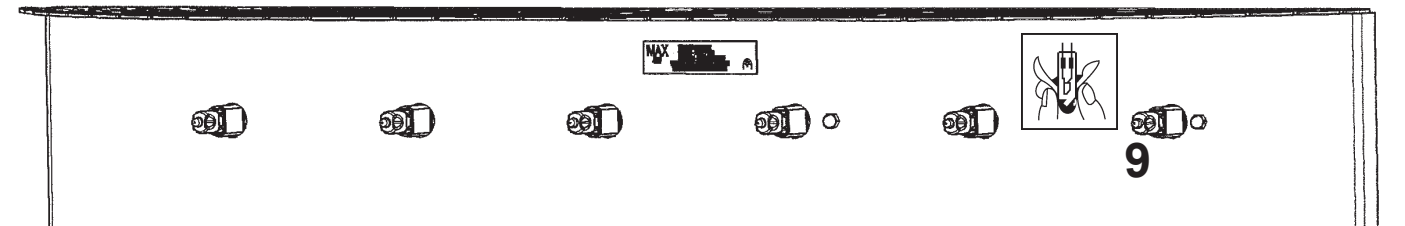
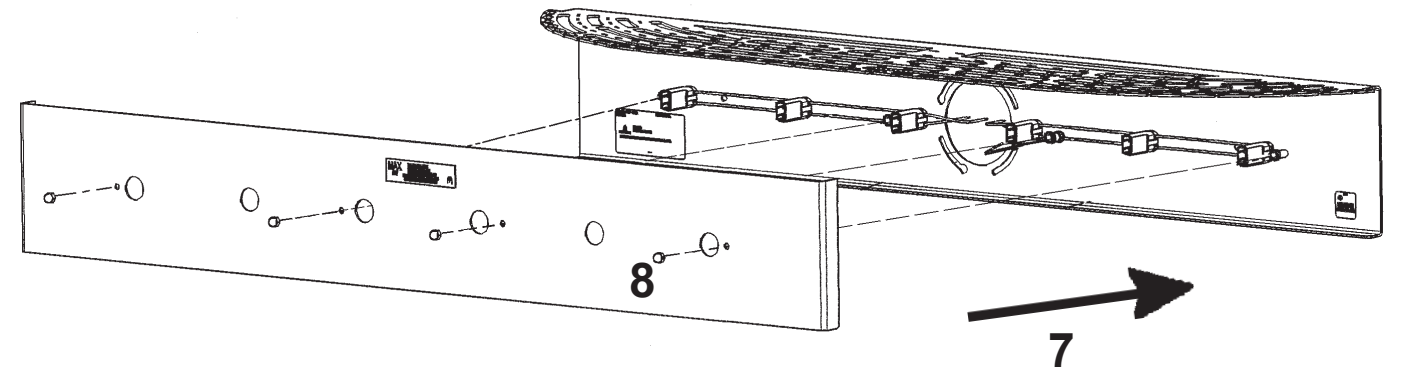
 **SCHONBEK** | 1870

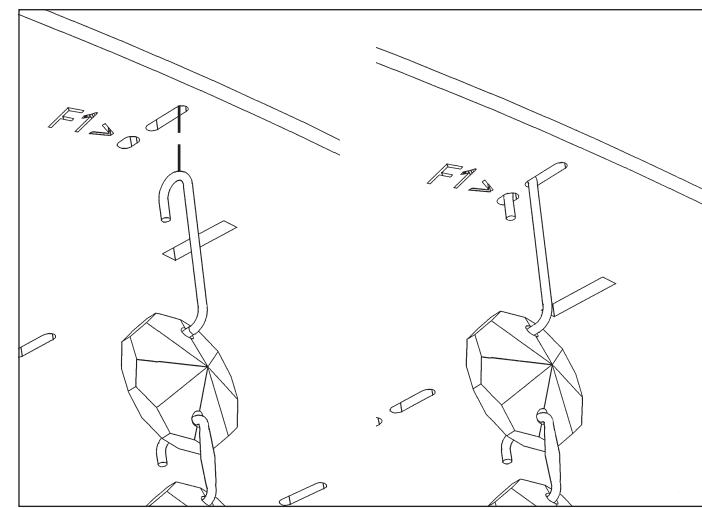
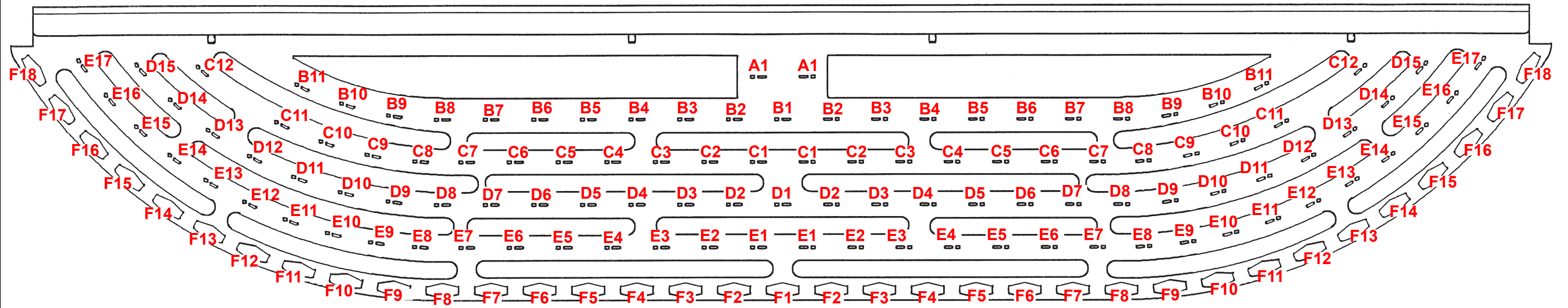
								
MAX 40 W	110-120 V							





6 X  : G9 40W MAX 



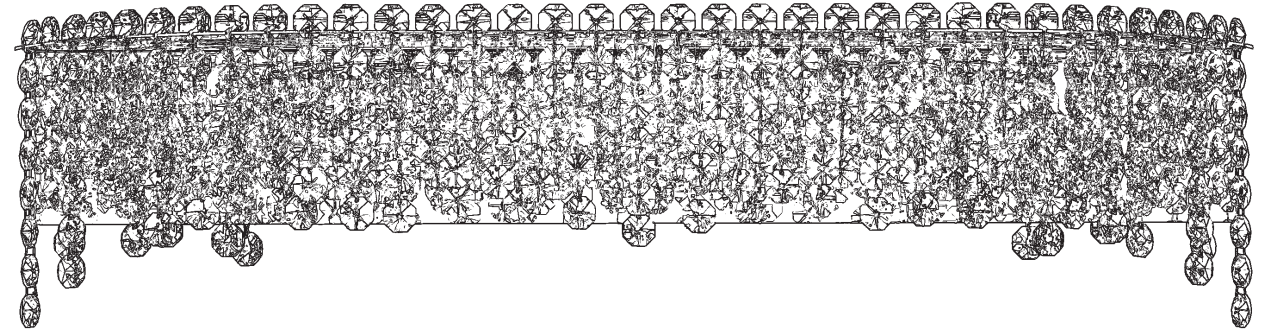


- 10** A1
- 11** B1 - B11
- 12** C1 - C12
- 13** D1 - D15
- 14** E1 - E17
- 15** F1 - F18

After hanging all trim, remove labels from crystals. If residue remains, wipe off crystal with a soft, dry cloth.



CHANTANT CH3640N- __ __R

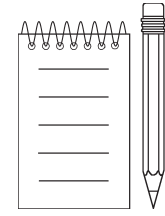
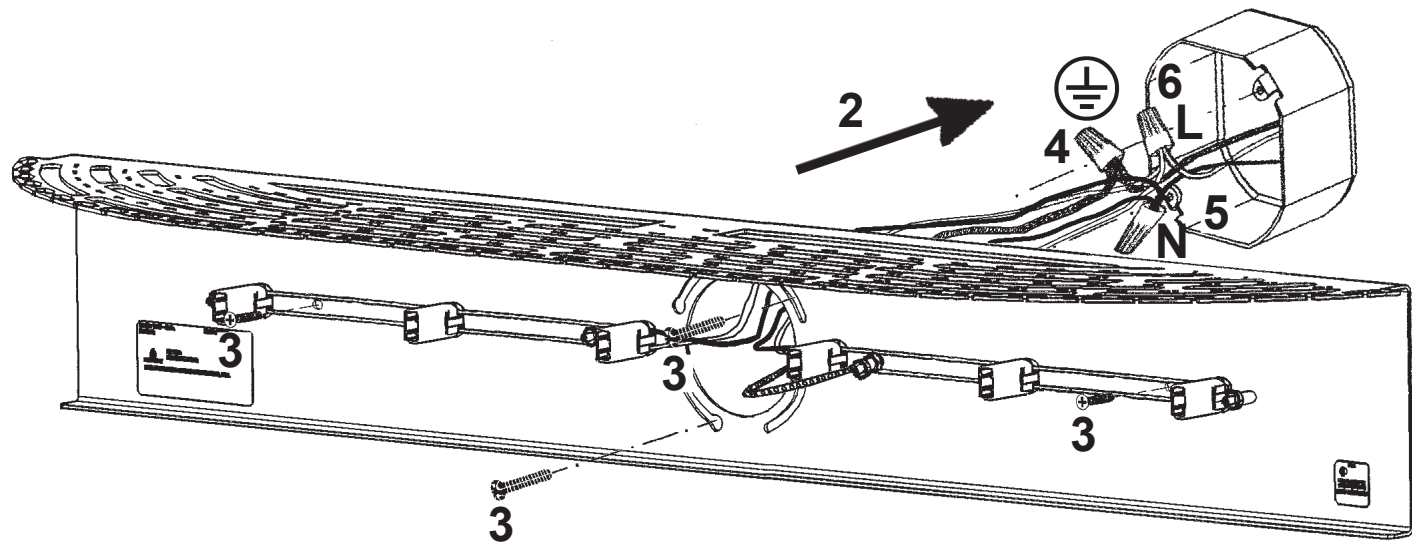
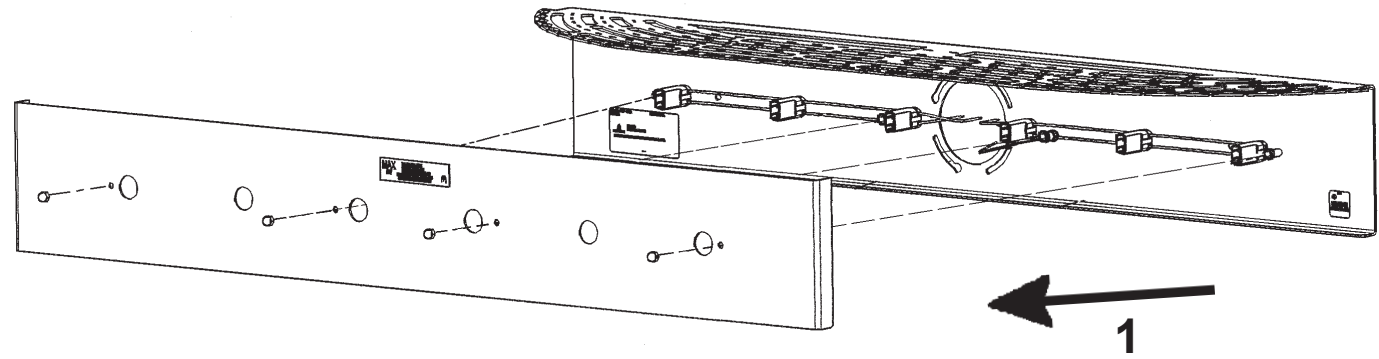


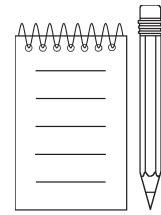
THIS DESIGN IS THE PROPRIETARY
TRADE DRESS/TRADEMARK OF
W SCHONBEK LLC.

6 Lights
Length: 36"
Height: 9"
Extension: 7"
Hanging Weight: 17lbs.

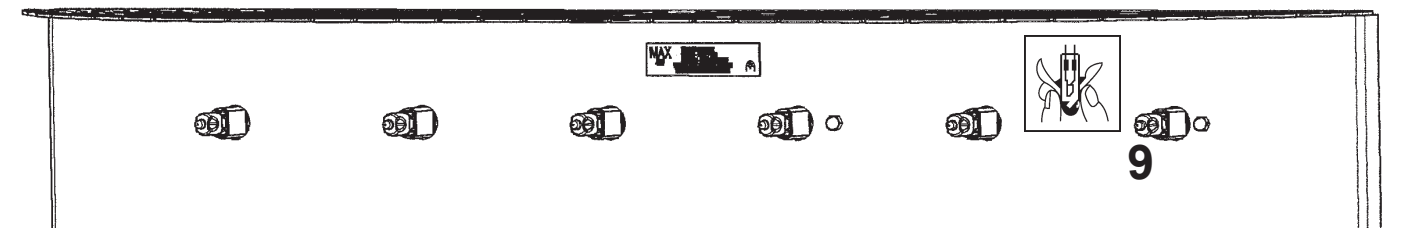
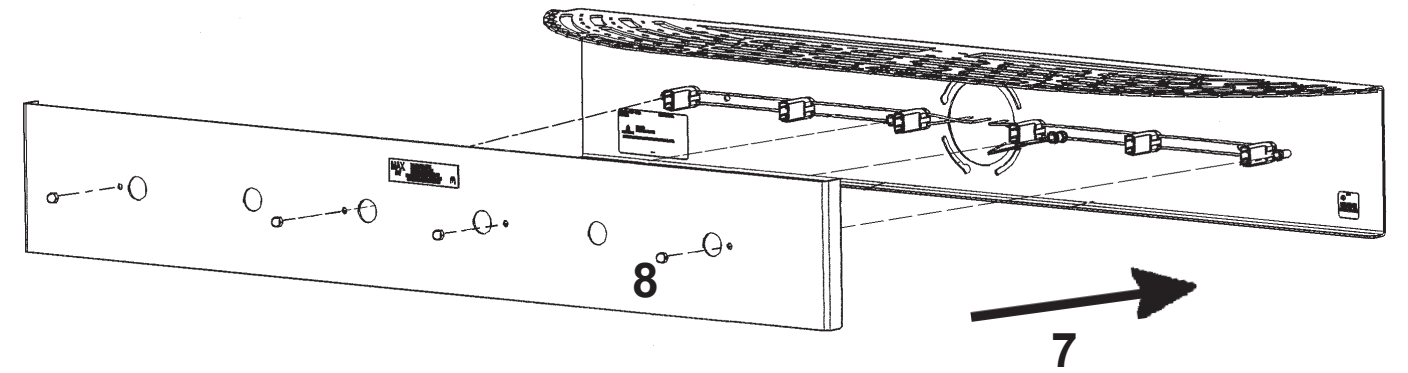


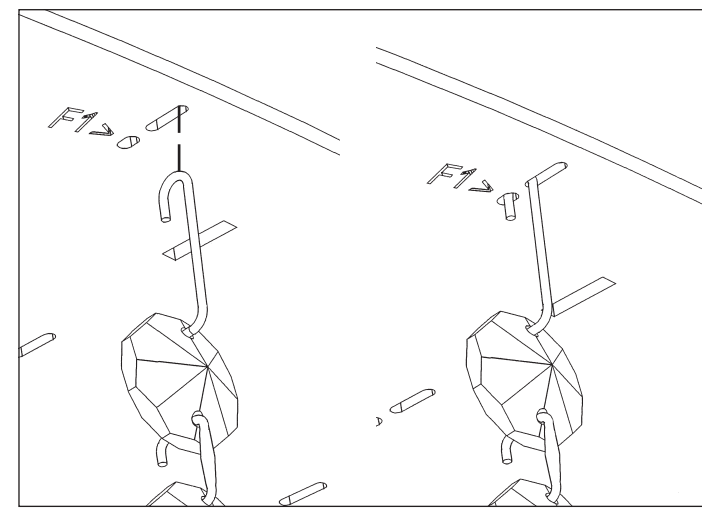
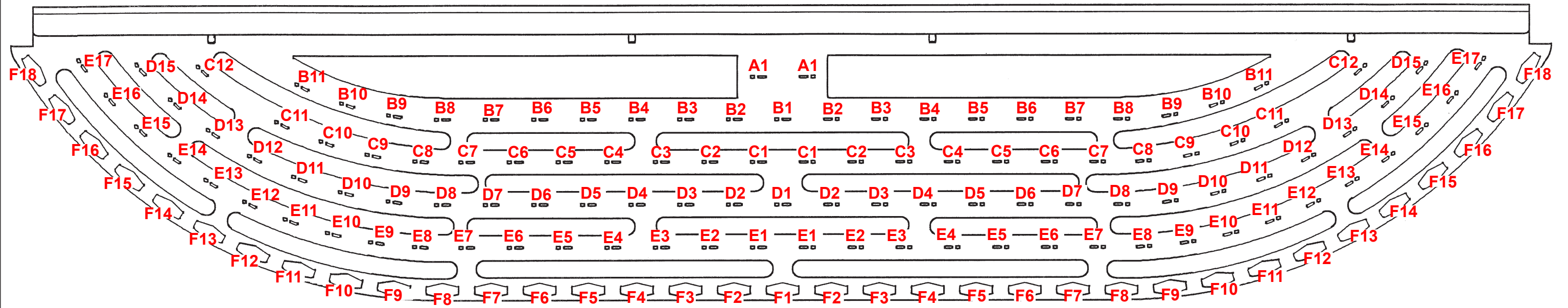
			S					
MAX 40 W	110-120 V							





6 X  : G9 40W MAX 





- 10** A1
- 11** B1 - B11
- 12** C1 - C12
- 13** D1 - D15
- 14** E1 - E17
- 15** F1 - F18

After hanging all trim, remove labels from crystals. If residue remains, wipe off crystal with a soft, dry cloth.