

 **SCHONBEK** | 1870










**CHANTANT**  
**CH4812N- \_\_ \_ O**



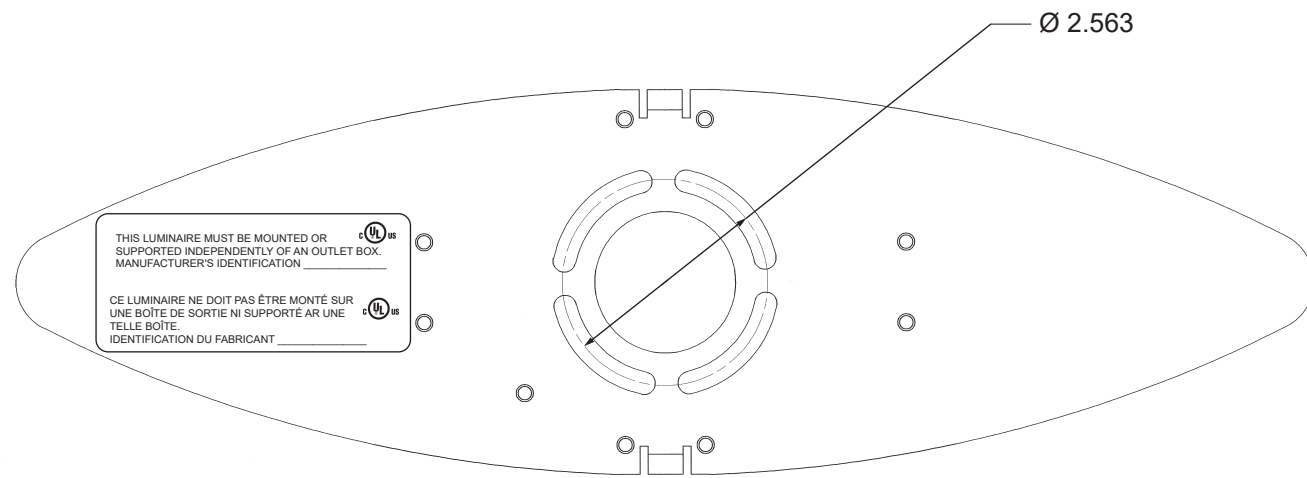
8 Lights  
Height: 27"  
Length: 43"  
Width: 22"  
Hanging Weight: 51lbs.

**T**HIS DESIGN IS THE PROPRIETARY  
TRADE DRESS/TRADEMARK OF  
W SCHONBEK LLC.

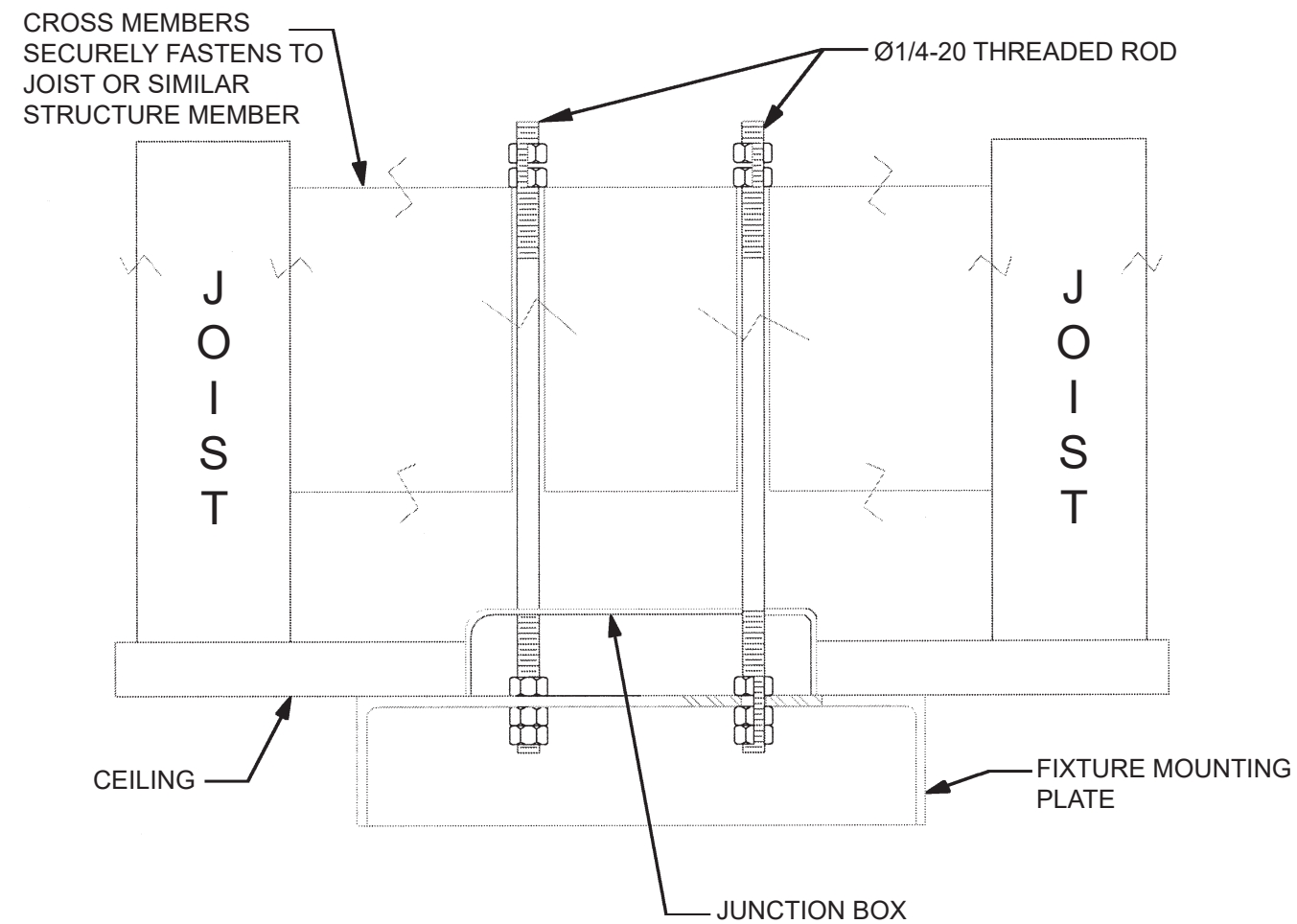
 **SCHONBEK** | 1870

			<b>S</b>					
MAX <b>50</b> W	110-120 V							

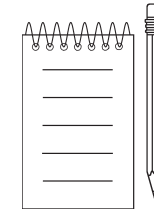
**NOTE:** INSTALLER IS SOLELY RESPONSIBLE FOR PROPER MOUNTING!

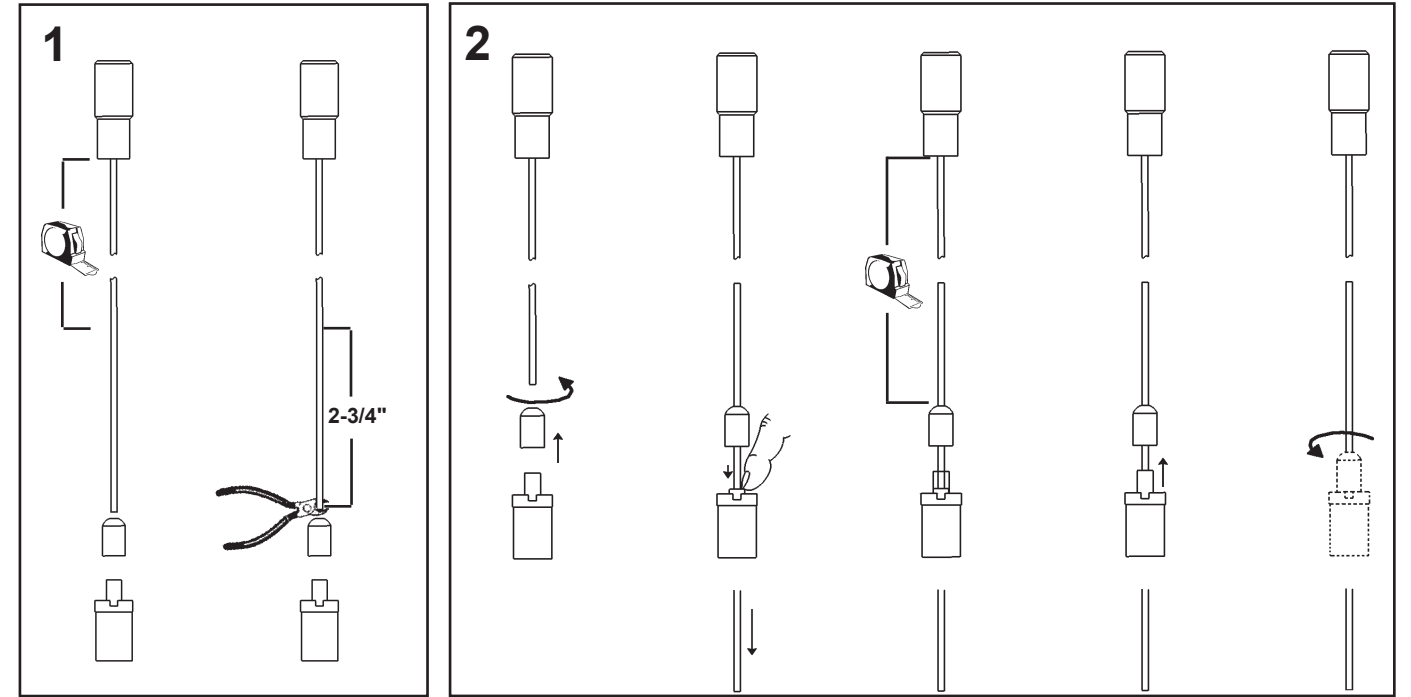
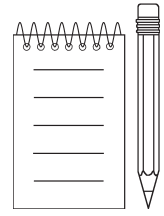



PLAN VIEW OF MOUNTING BRACKET

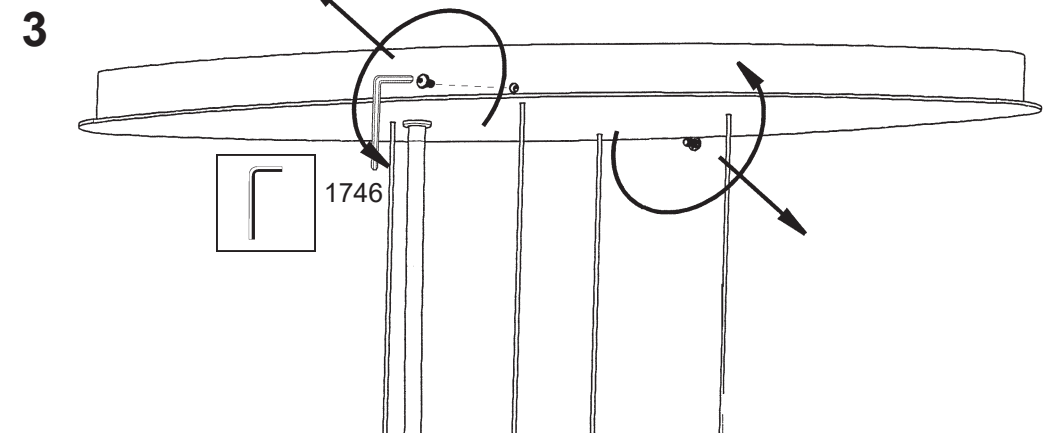


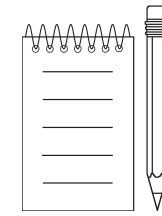
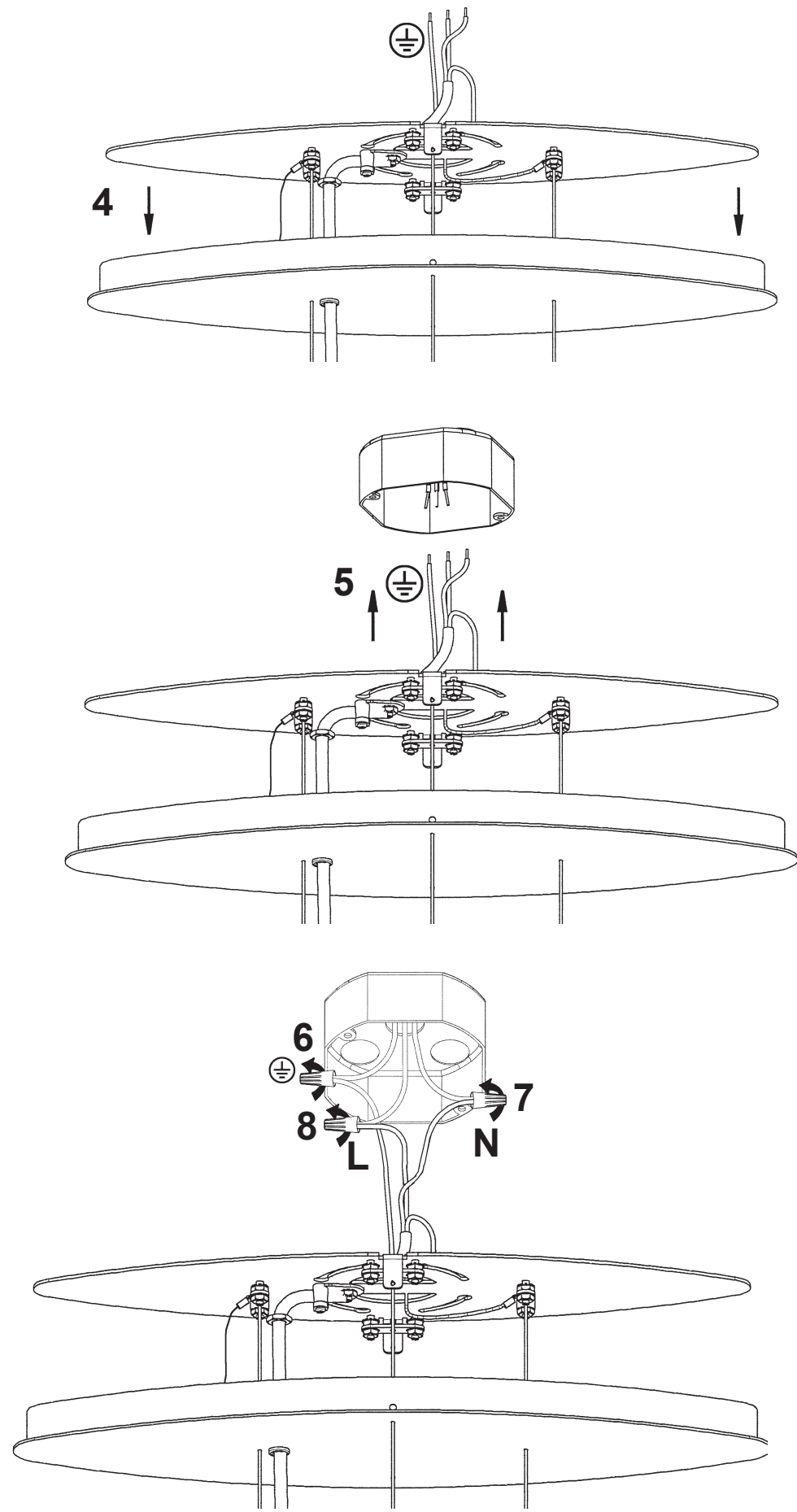
**WARNING:**  
MOUNTING CONFIGURATION AND HARDWARE MUST HOLD 4X THE WEIGHT OF THE FIXTURE. MOUNTING DESIGN AND FIXTURE INSTALLATION SHOULD BE CONDUCTED BY A QUALIFIED LICENSED PROFESSIONAL.

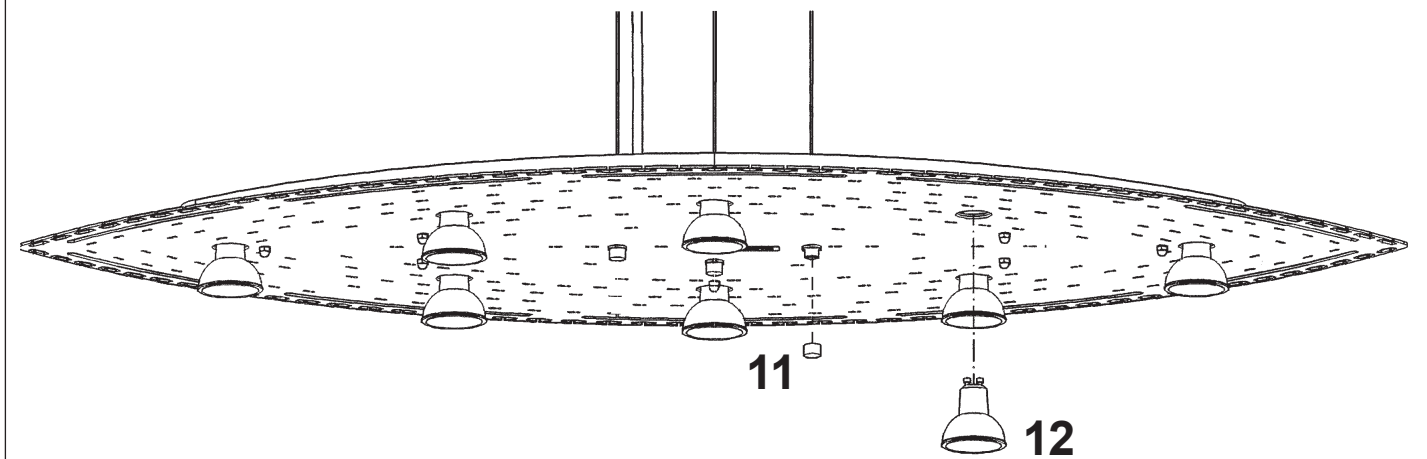
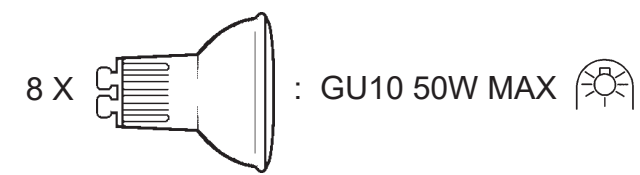
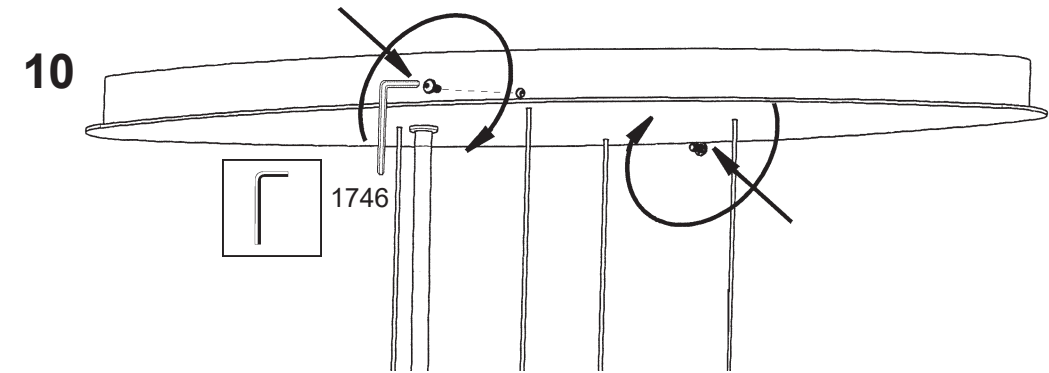
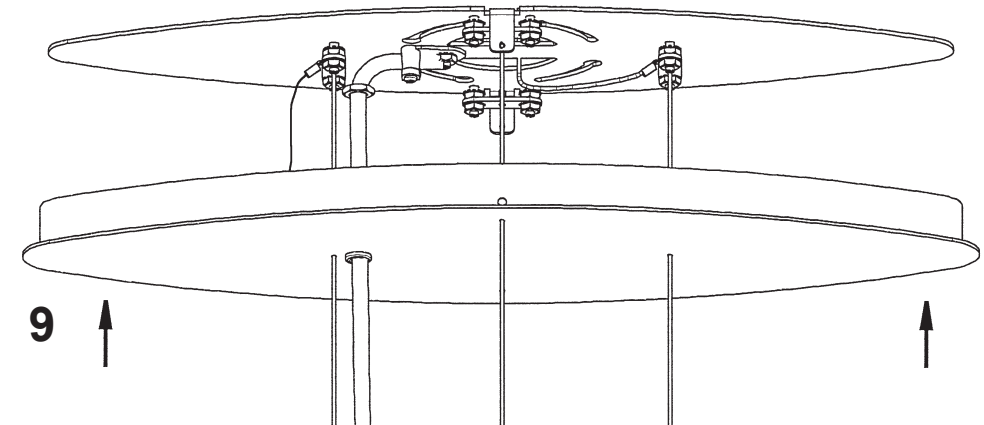
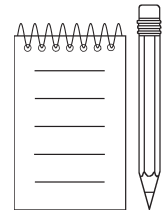


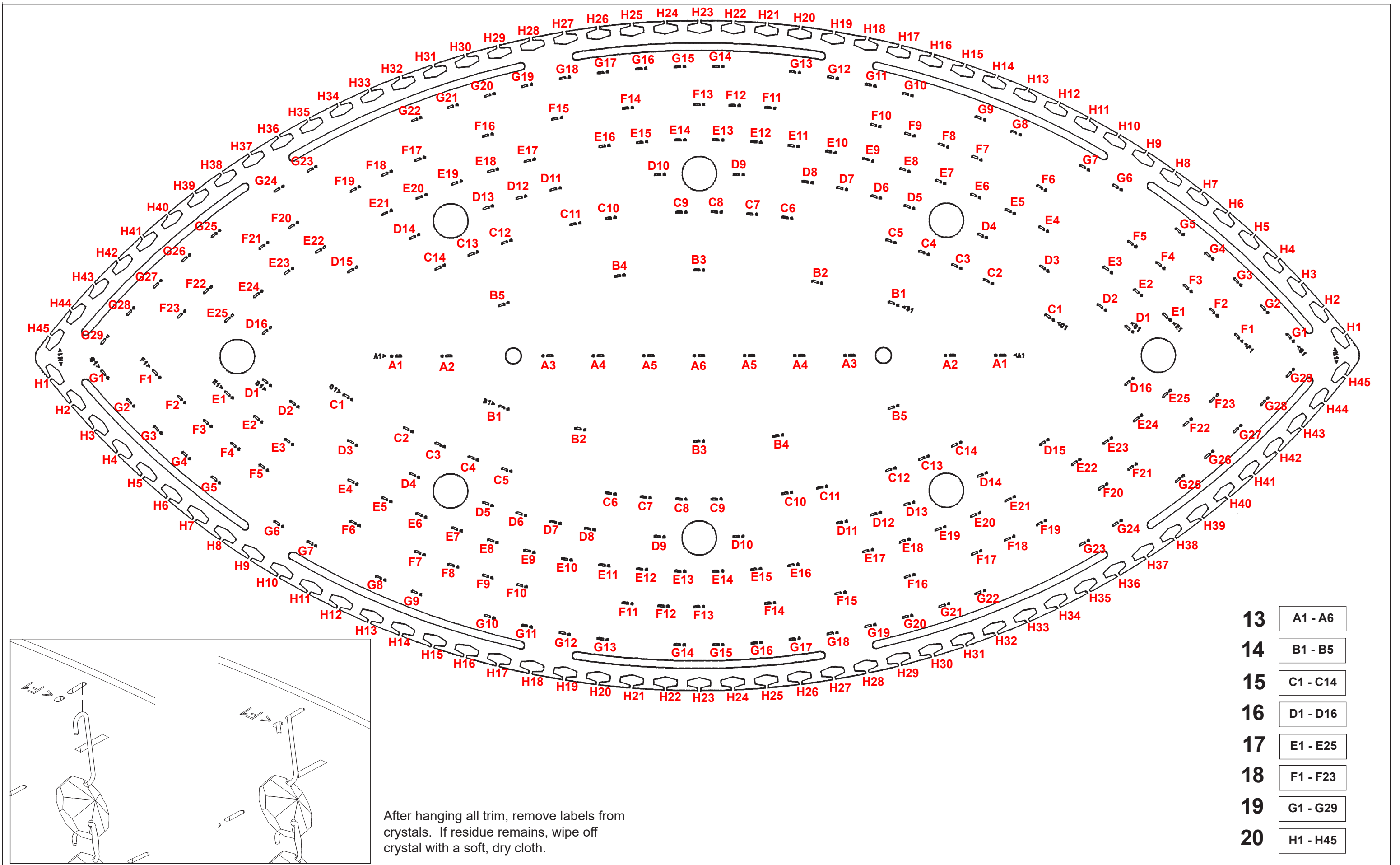


1 X  : 1746

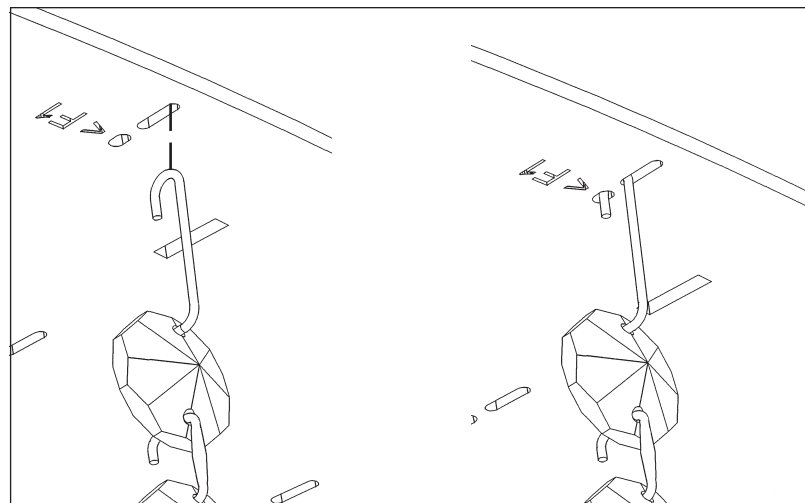








- 13** A1 - A6
- 14** B1 - B5
- 15** C1 - C14
- 16** D1 - D16
- 17** E1 - E25
- 18** F1 - F23
- 19** G1 - G29
- 20** H1 - H45



After hanging all trim, remove labels from crystals. If residue remains, wipe off crystal with a soft, dry cloth.

 **SCHONBEK** | 1870










# CHANTANT CH4812N- \_\_ \_\_ R



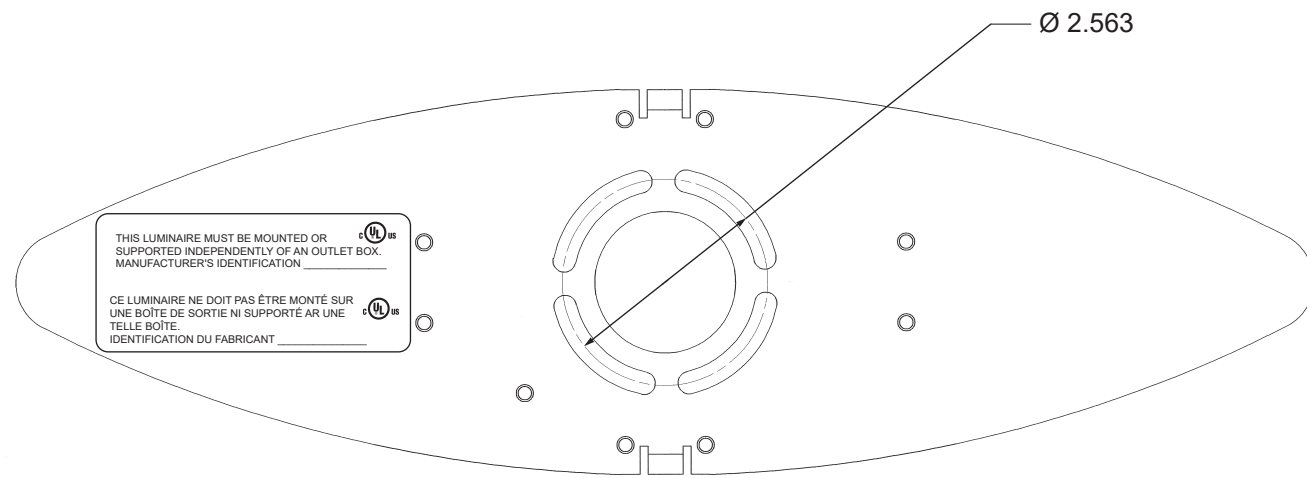
8 Lights  
Height: 27"  
Length: 43"  
Width: 22"  
Hanging Weight: 51lbs.

**T**HIS DESIGN IS THE PROPRIETARY  
TRADE DRESS/TRADEMARK OF  
W SCHONBEK LLC.

 **SCHONBEK** | 1870

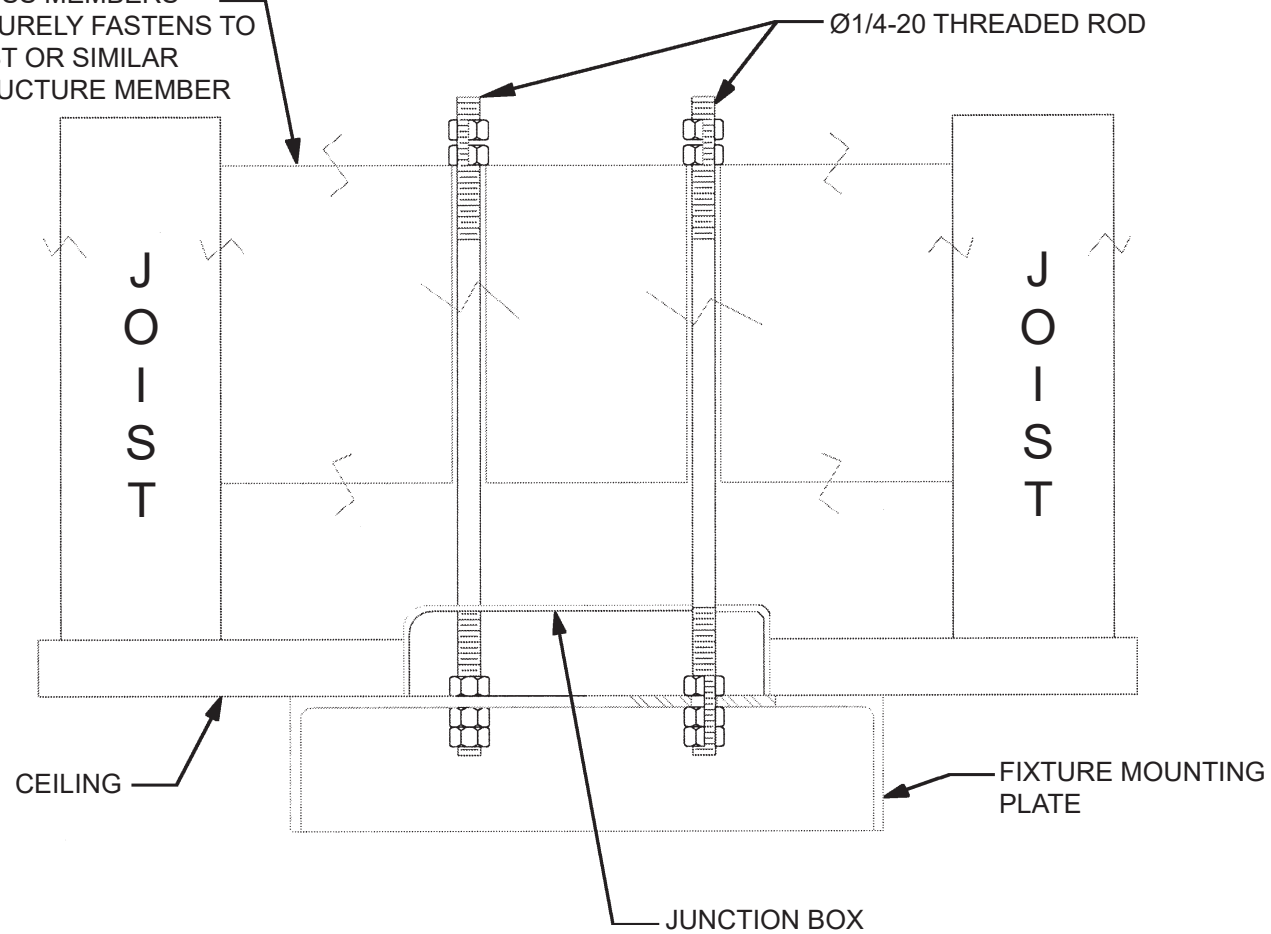
			<b>S</b>					
MAX <b>50</b> W	110-120 V							

**NOTE:** INSTALLER IS SOLELY RESPONSIBLE FOR PROPER MOUNTING!

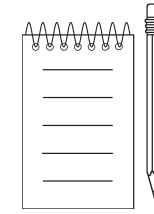


PLAN VIEW OF MOUNTING BRACKET

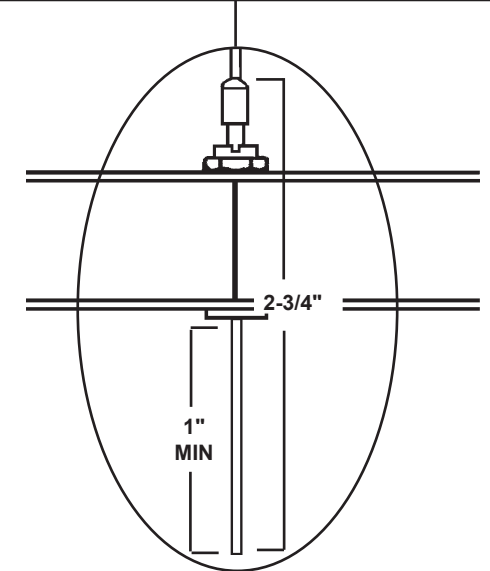
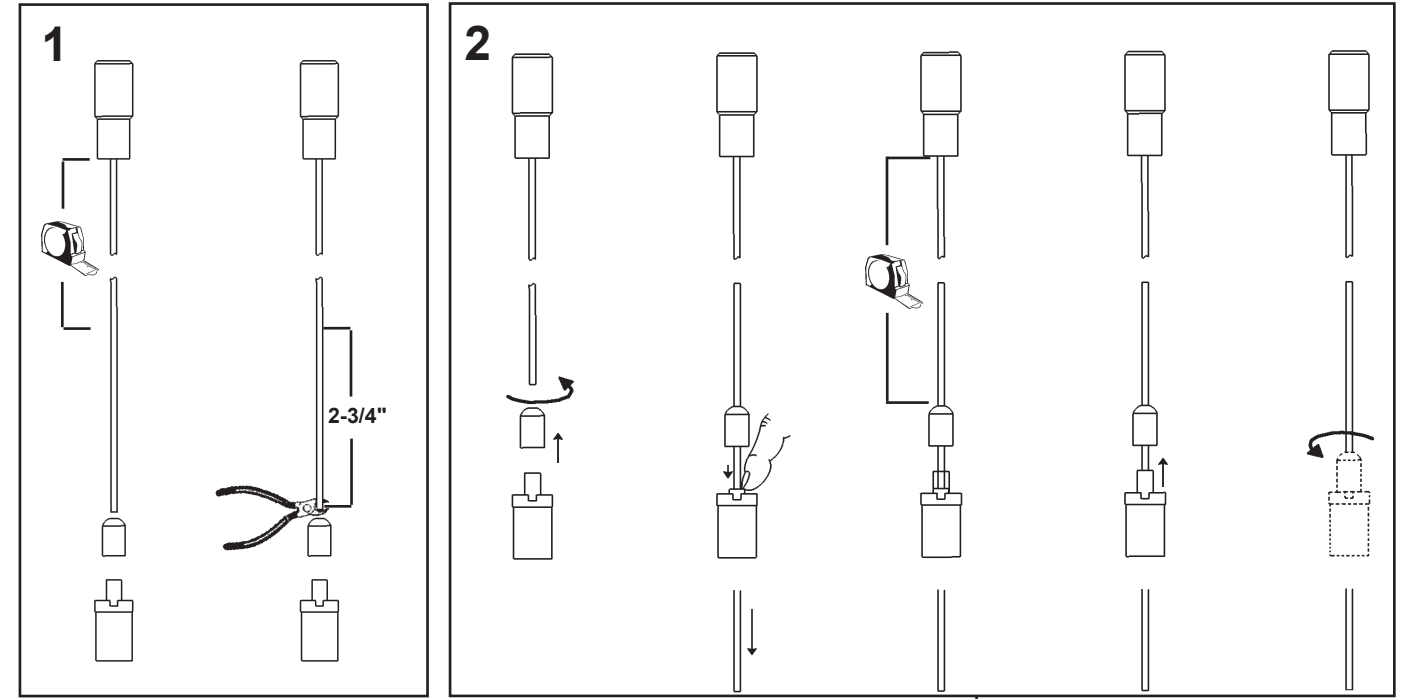
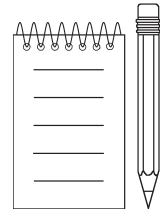
CROSS MEMBERS SECURELY FASTENS TO JOIST OR SIMILAR STRUCTURE MEMBER

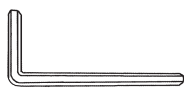


**WARNING:**  
MOUNTING CONFIGURATION AND HARDWARE MUST HOLD 4X THE WEIGHT OF THE FIXTURE. MOUNTING DESIGN AND FIXTURE INSTALLATION SHOULD BE CONDUCTED BY A QUALIFIED LICENSED PROFESSIONAL.

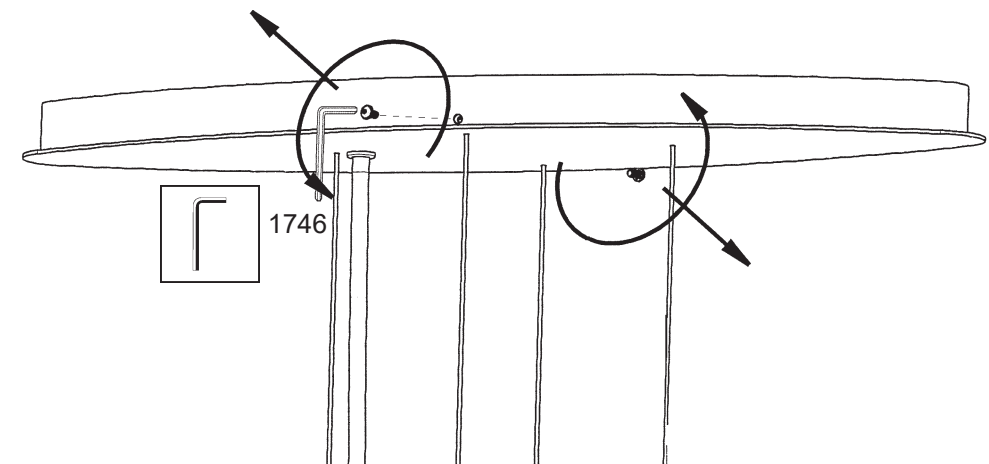


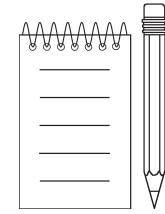
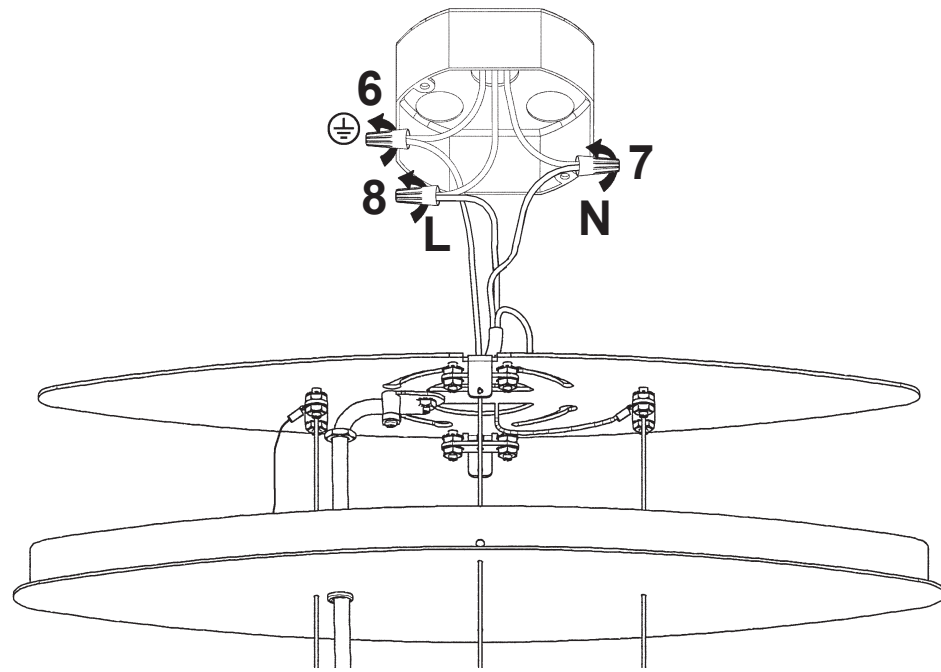
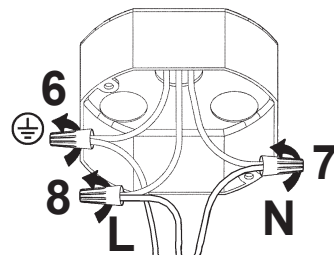
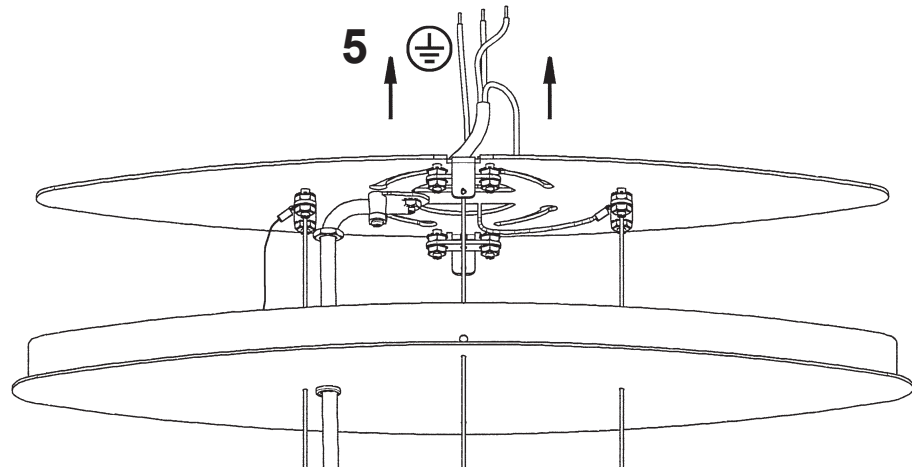
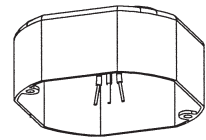
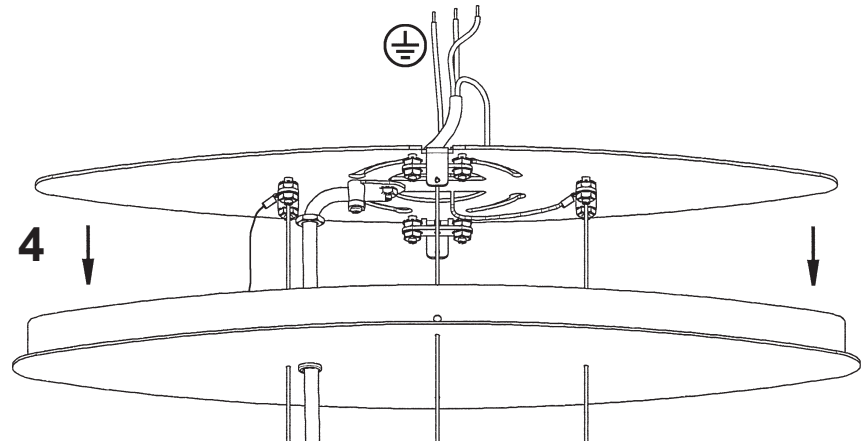


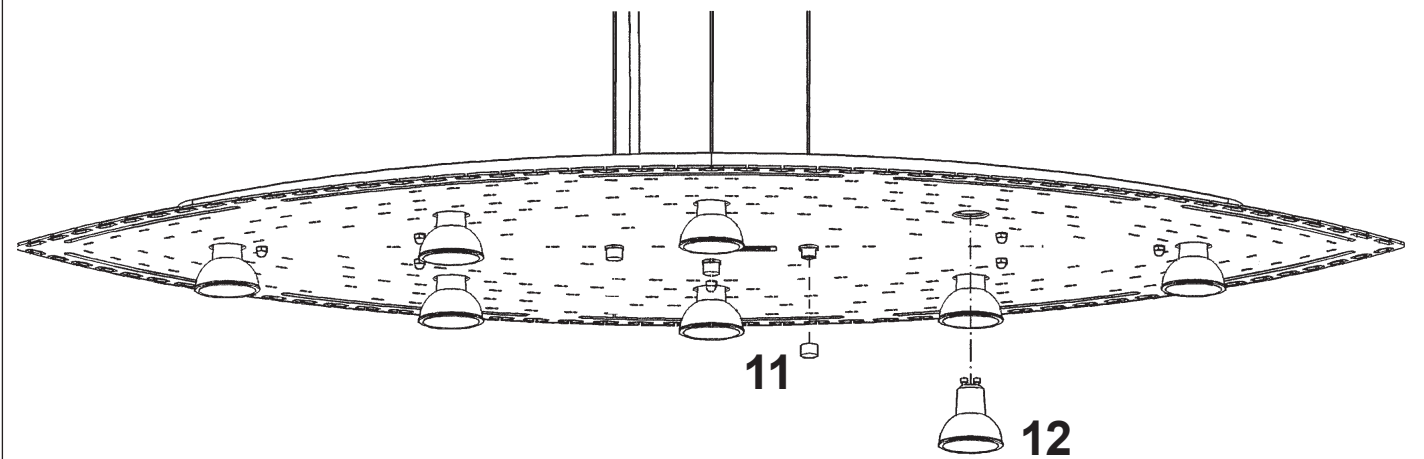
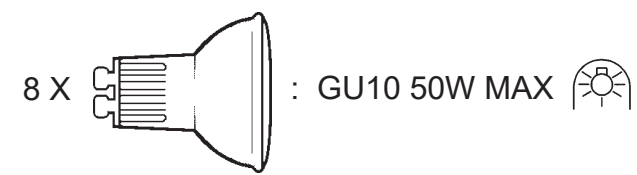
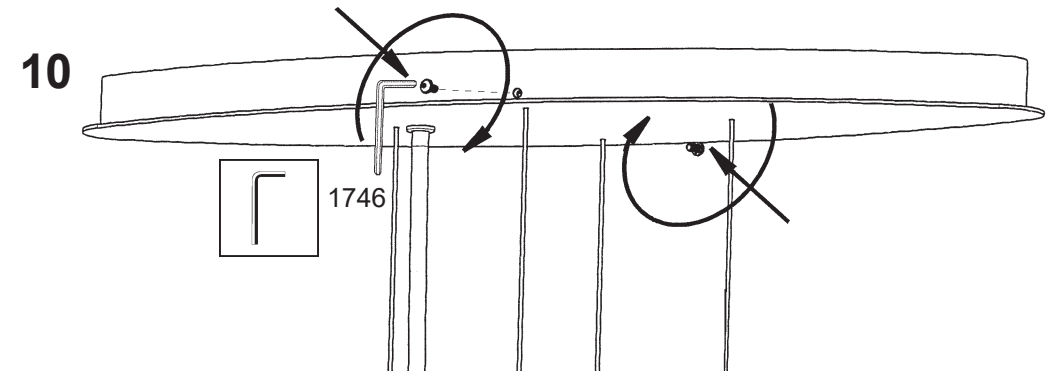
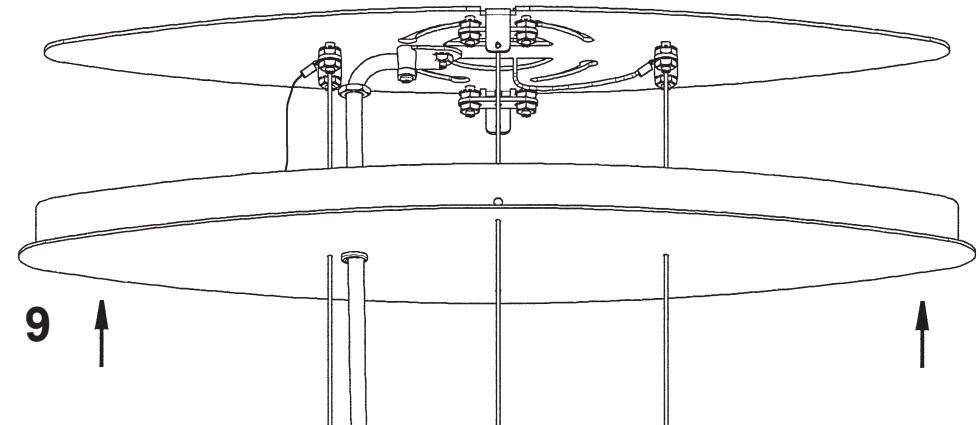
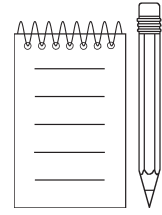


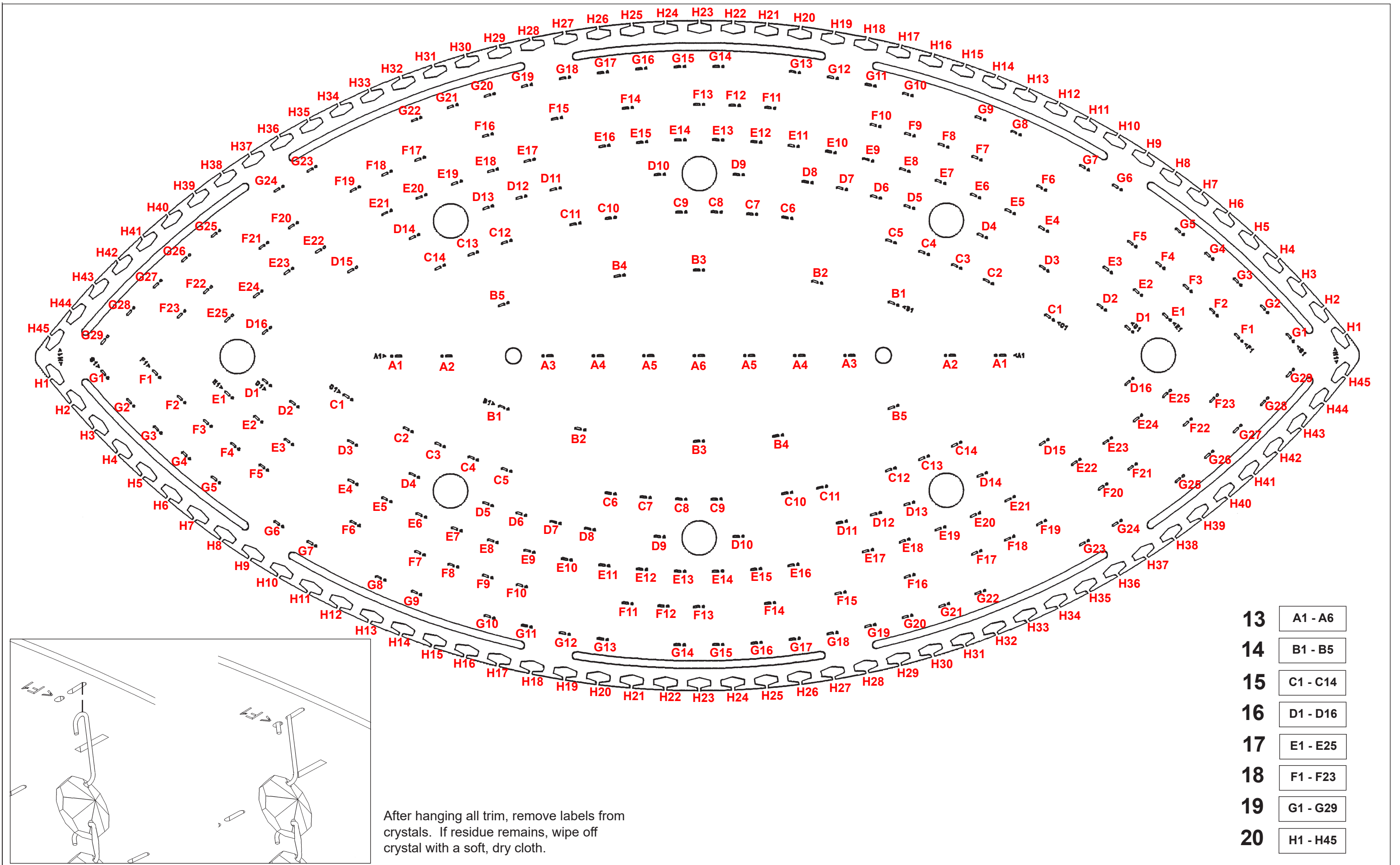
1 X  : 1746

**3**









- 13** A1 - A6
- 14** B1 - B5
- 15** C1 - C14
- 16** D1 - D16
- 17** E1 - E25
- 18** F1 - F23
- 19** G1 - G29
- 20** H1 - H45

After hanging all trim, remove labels from crystals. If residue remains, wipe off crystal with a soft, dry cloth.