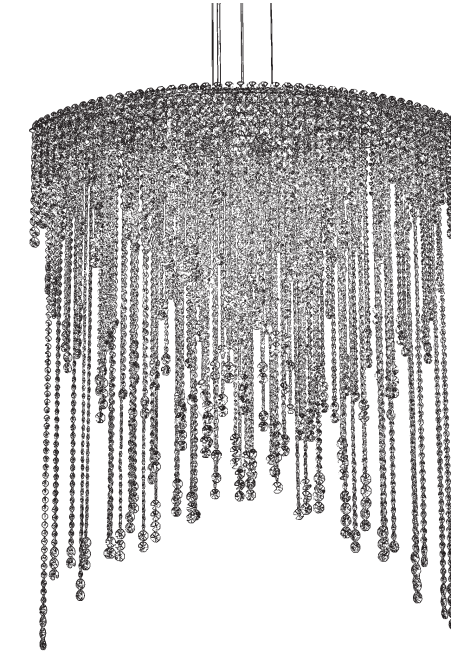


 **SCHONBEK** | 1870










CHANTANT
CH4813N- __ _ O



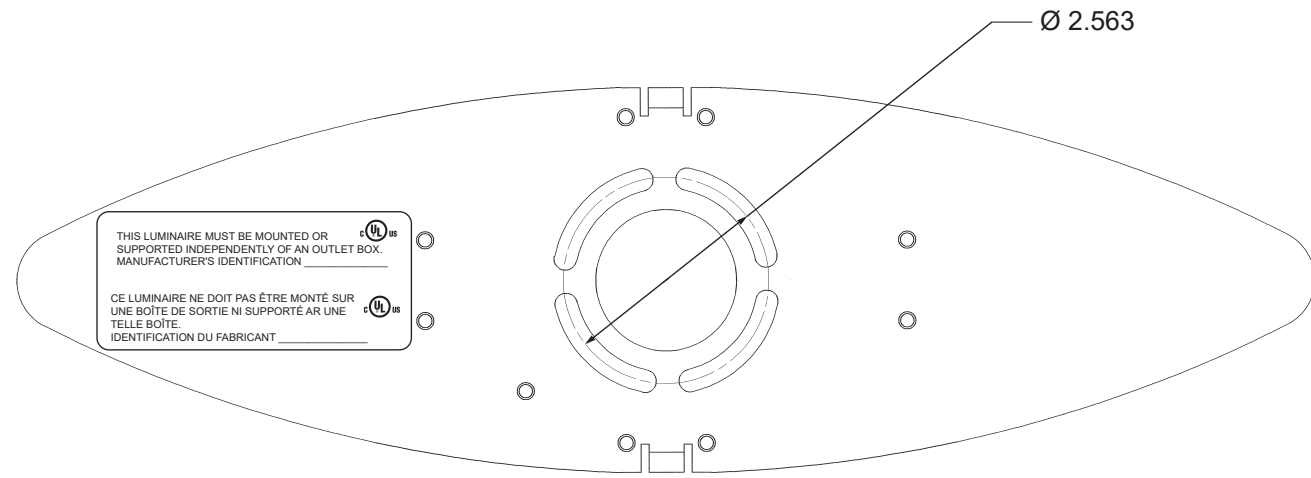
8 Lights
Height: 52"
Length: 43"
Width: 22"
Hanging Weight: 63lbs.

THIS DESIGN IS THE PROPRIETARY
TRADE DRESS/TRADEMARK OF
W SCHONBEK LLC.

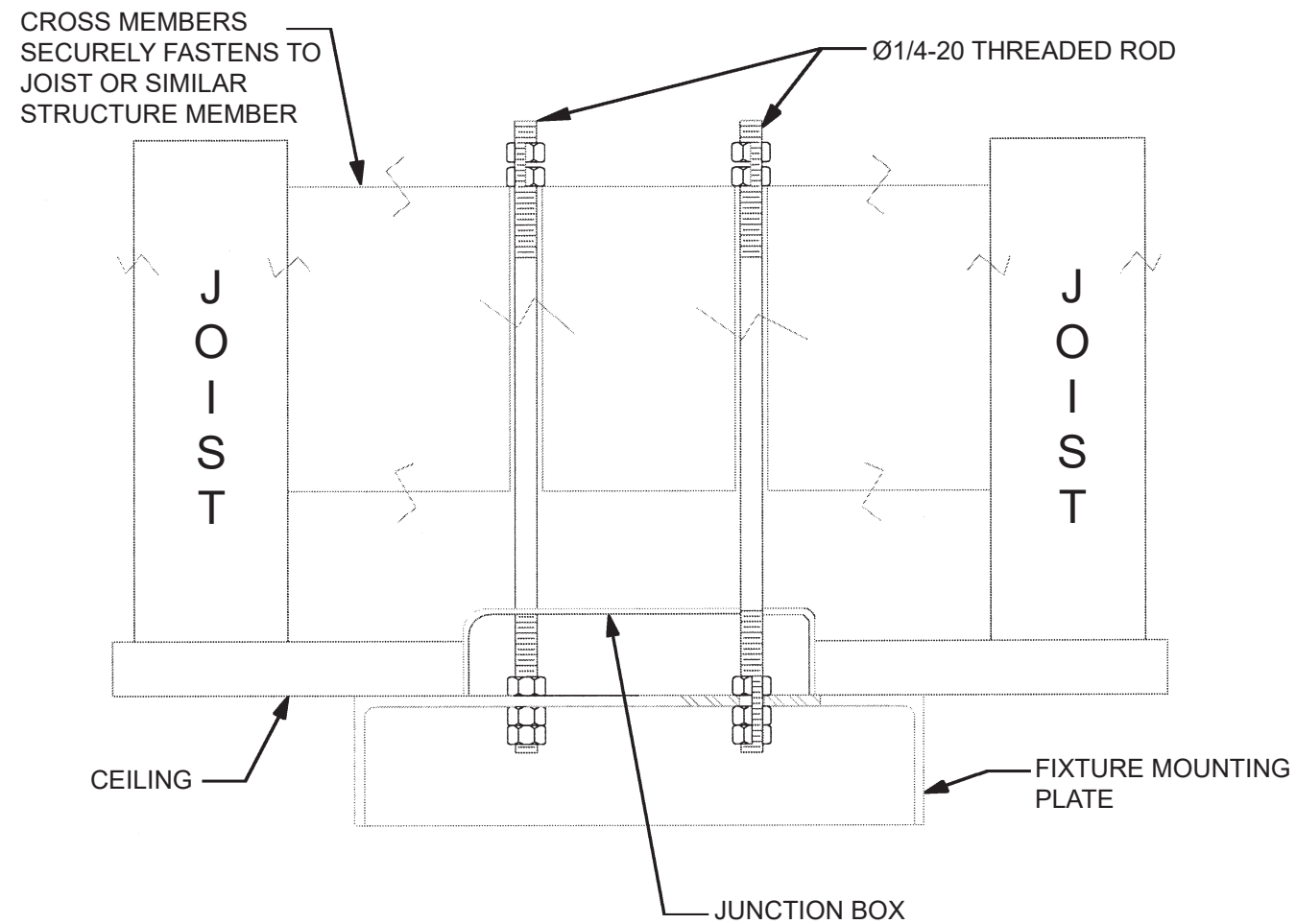
 **SCHONBEK** | 1870

			S					
MAX 50 W	110-120 V							

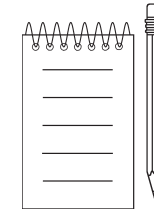
NOTE: INSTALLER IS SOLELY RESPONSIBLE FOR PROPER MOUNTING!

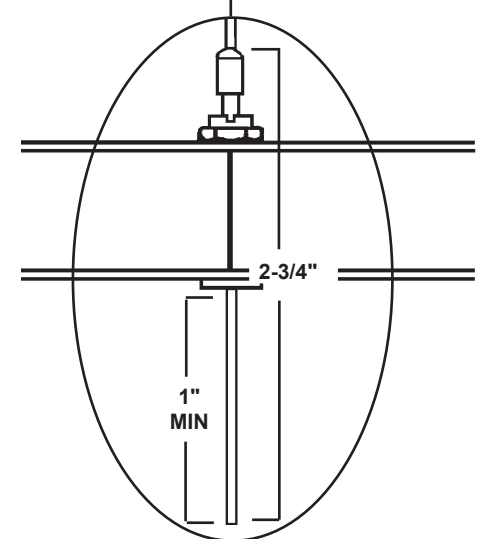
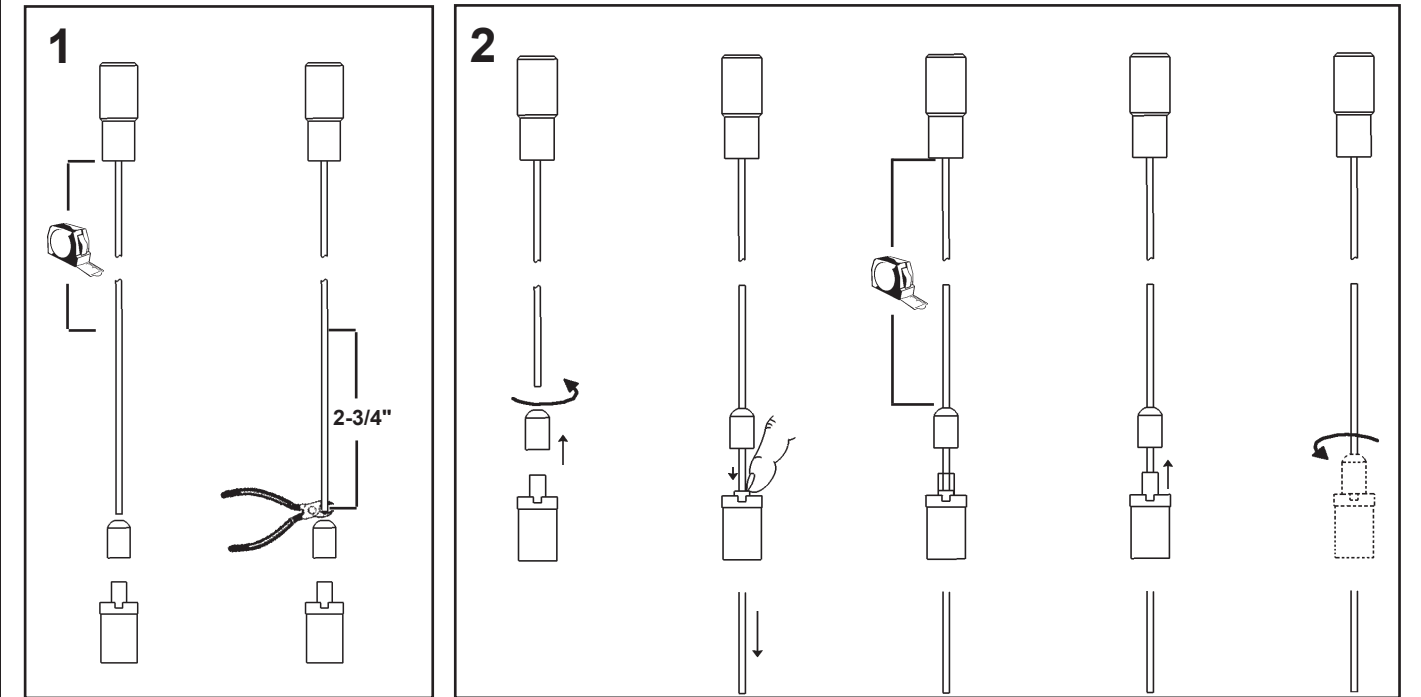
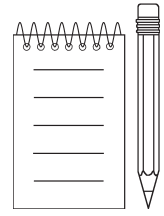


PLAN VIEW OF MOUNTING BRACKET

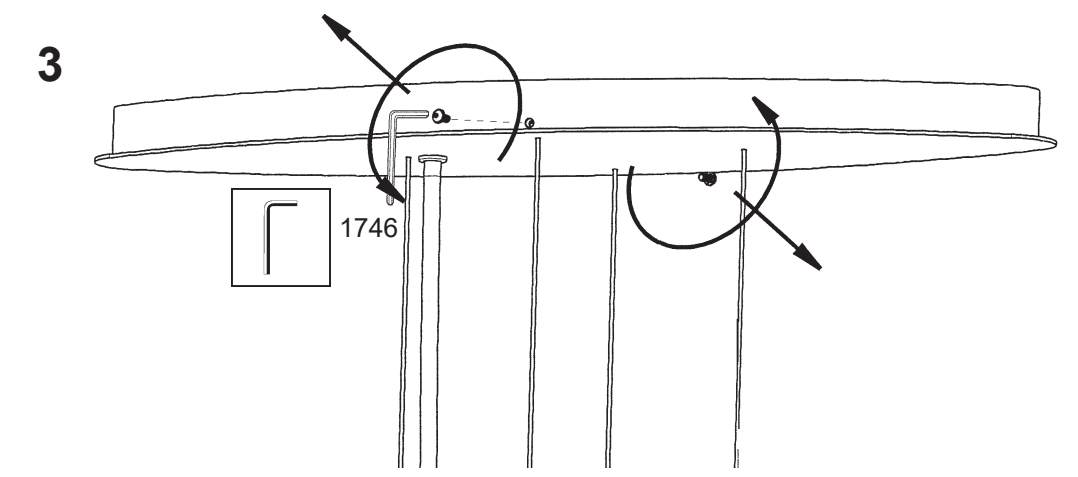


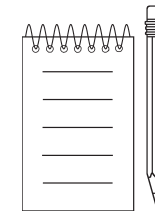
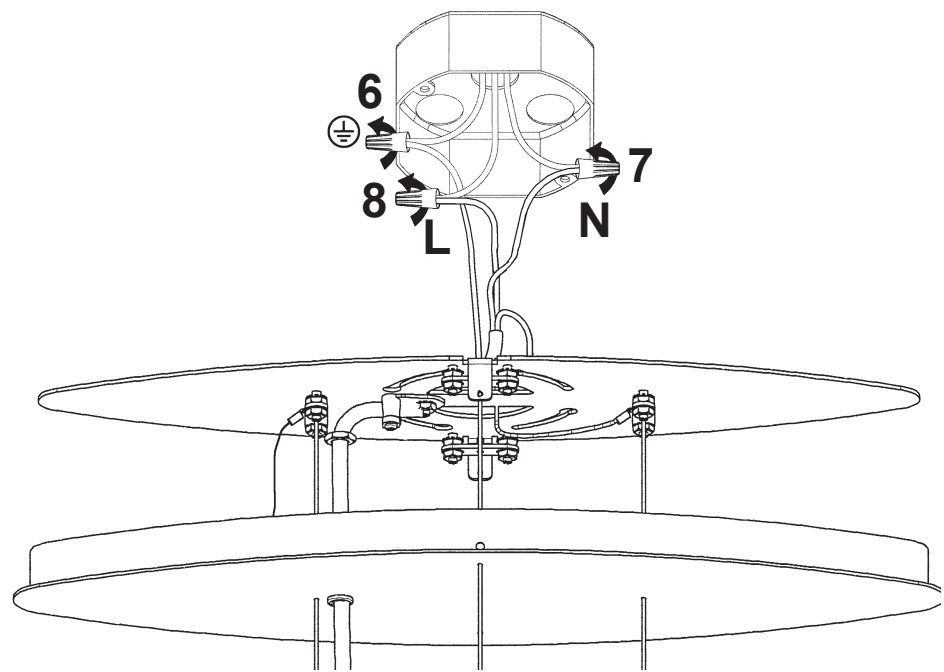
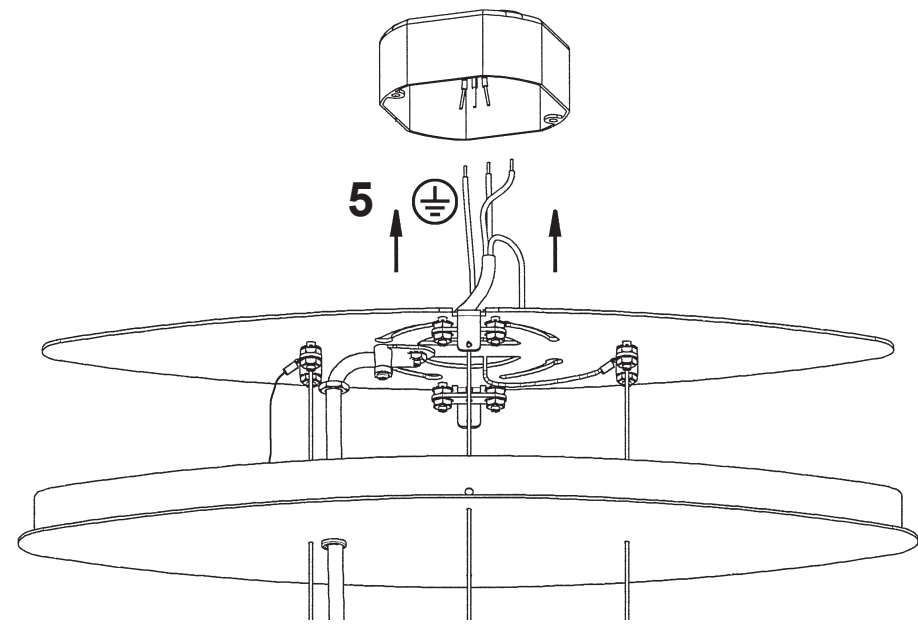
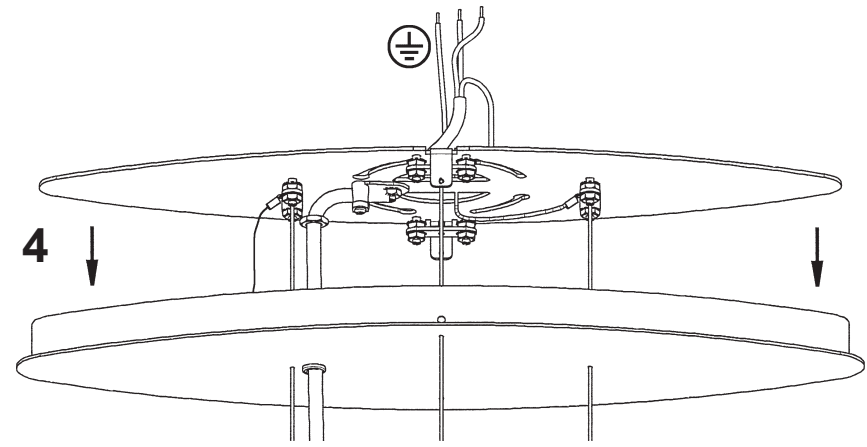
WARNING:
MOUNTING CONFIGURATION AND HARDWARE MUST HOLD 4X THE WEIGHT OF THE FIXTURE. MOUNTING DESIGN AND FIXTURE INSTALLATION SHOULD BE CONDUCTED BY A QUALIFIED LICENSED PROFESSIONAL.

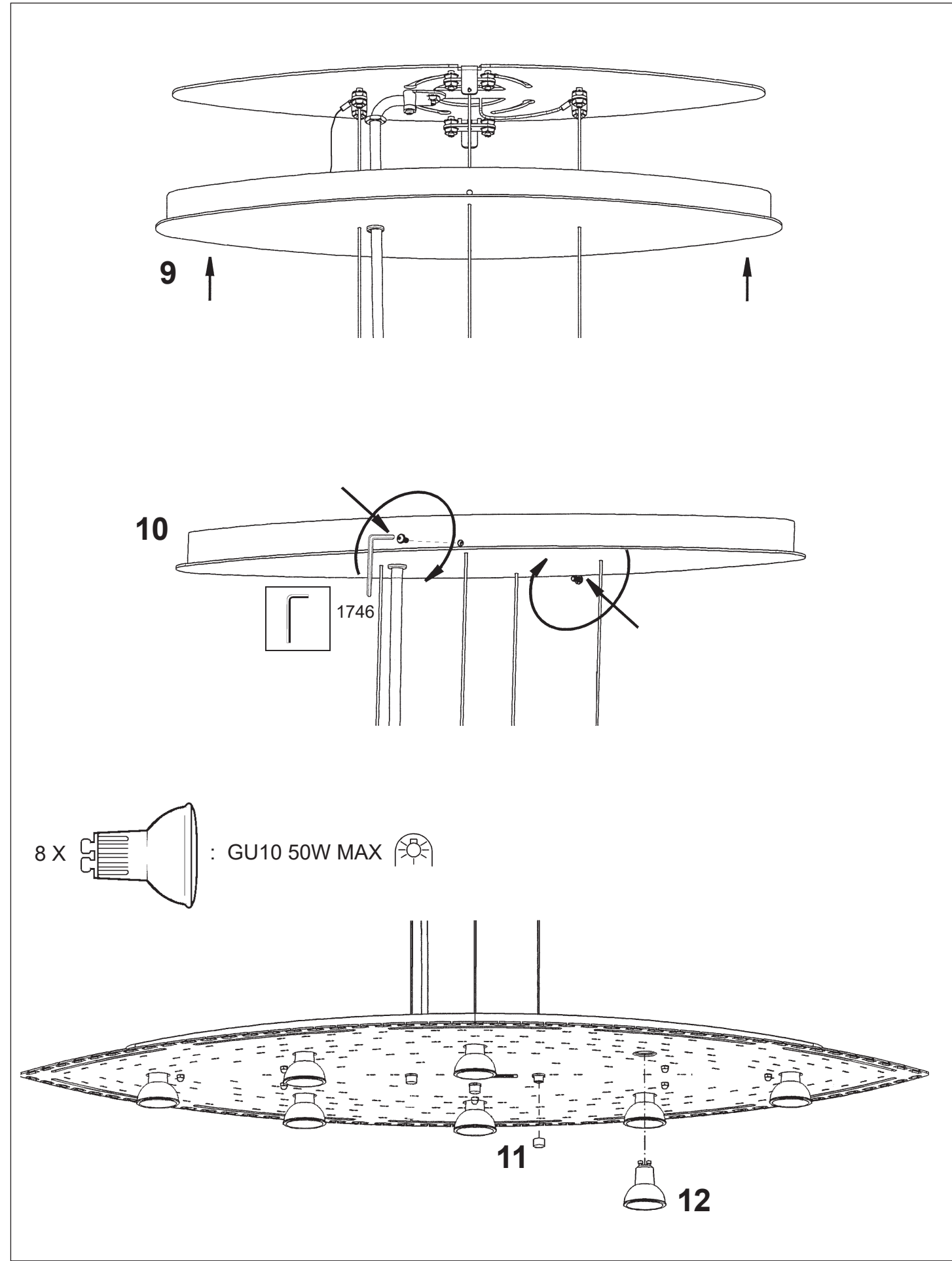


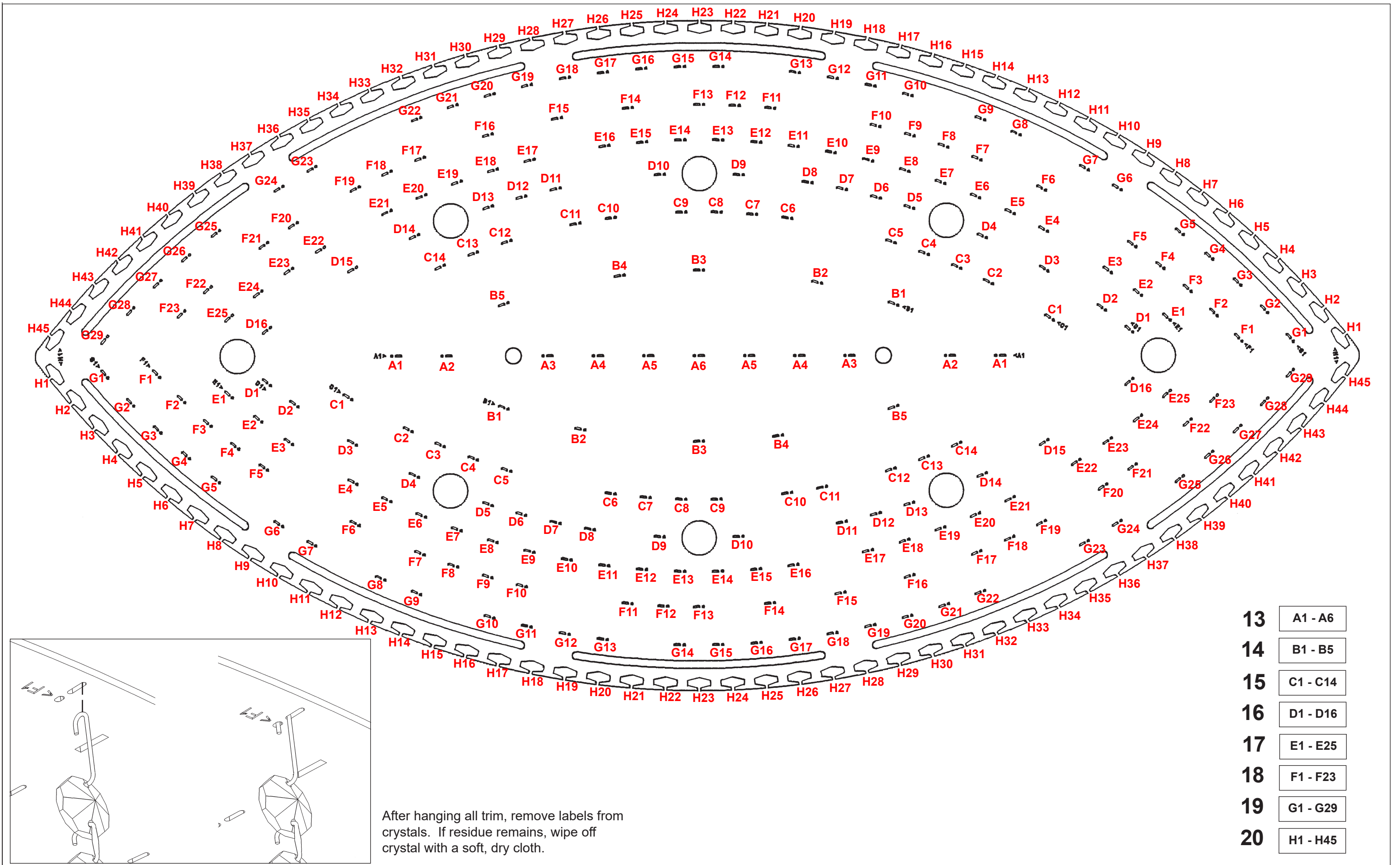


1 X  : 1746









- 13** A1 - A6
- 14** B1 - B5
- 15** C1 - C14
- 16** D1 - D16
- 17** E1 - E25
- 18** F1 - F23
- 19** G1 - G29
- 20** H1 - H45

After hanging all trim, remove labels from crystals. If residue remains, wipe off crystal with a soft, dry cloth.

 **SCHONBEK** | 1870










CHANTANT CH4813N- __ __ R



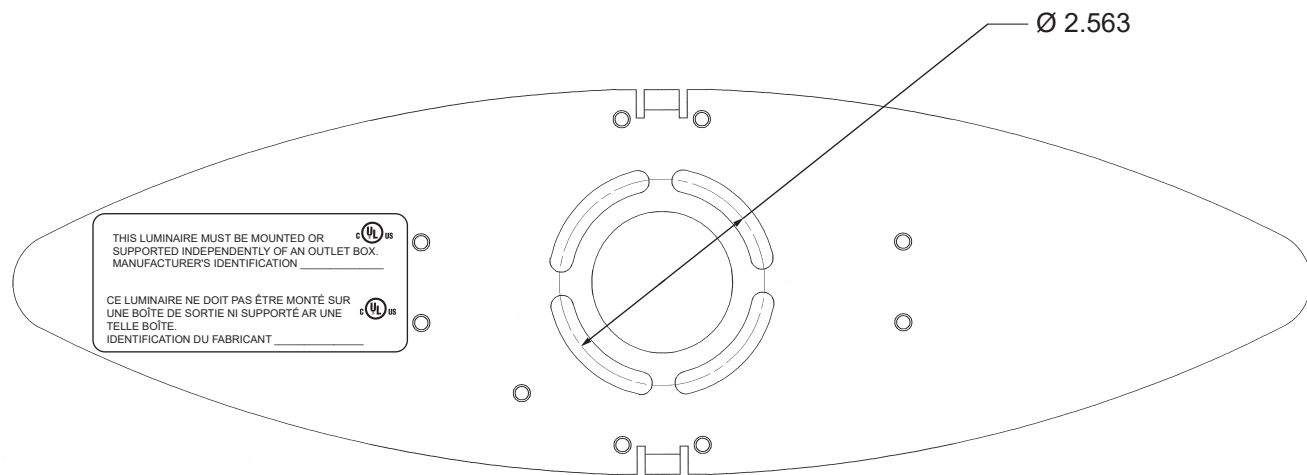
THIS DESIGN IS THE PROPRIETARY
TRADE DRESS/TRADEMARK OF
W SCHONBEK LLC.

8 Lights
Height: 52"
Length: 43"
Width: 22"
Hanging Weight: 63lbs.

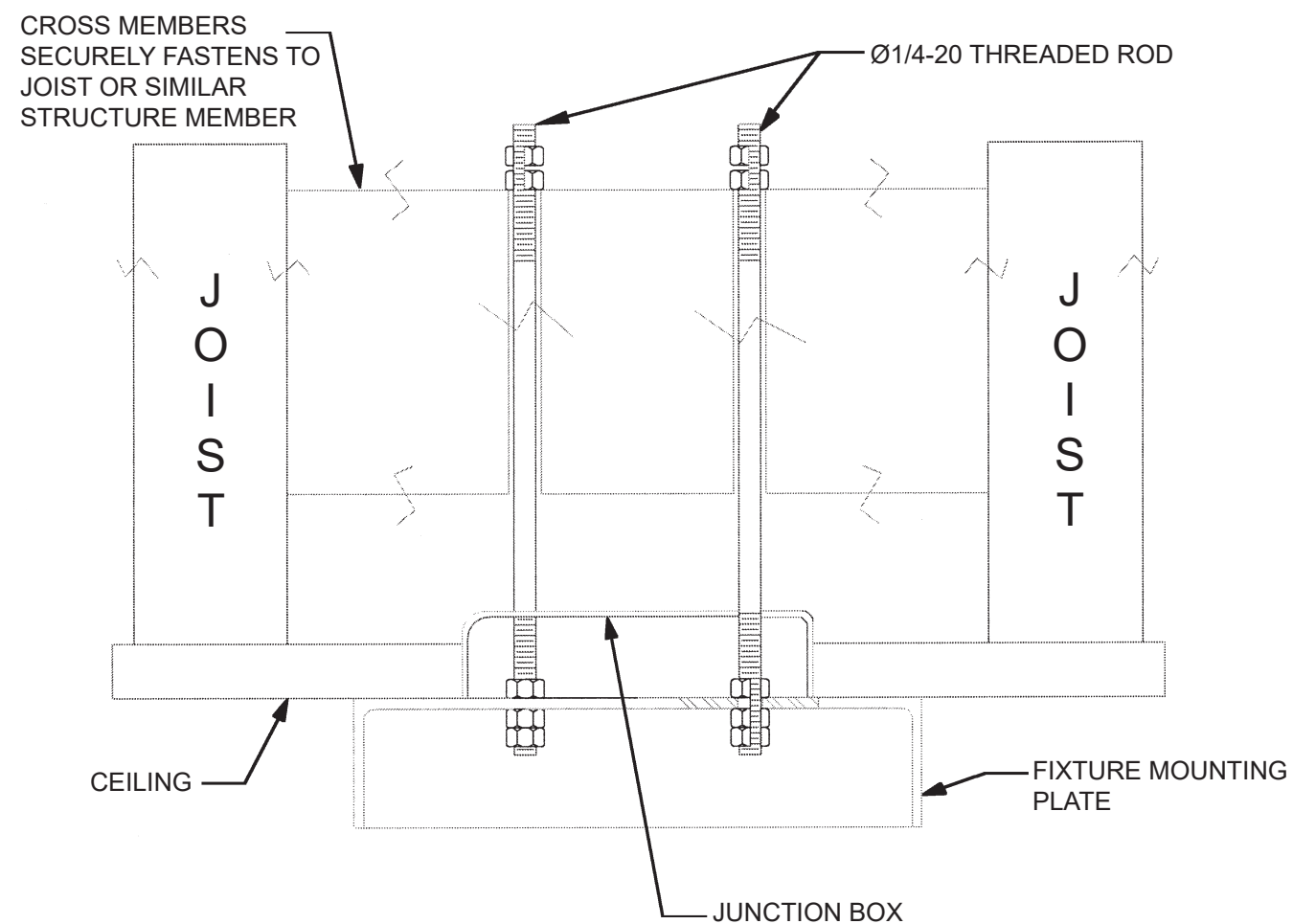
 **SCHONBEK** | 1870

			S					
MAX 50 W	110-120 V							

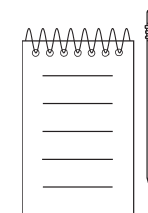
NOTE: INSTALLER IS SOLELY RESPONSIBLE FOR PROPER MOUNTING!

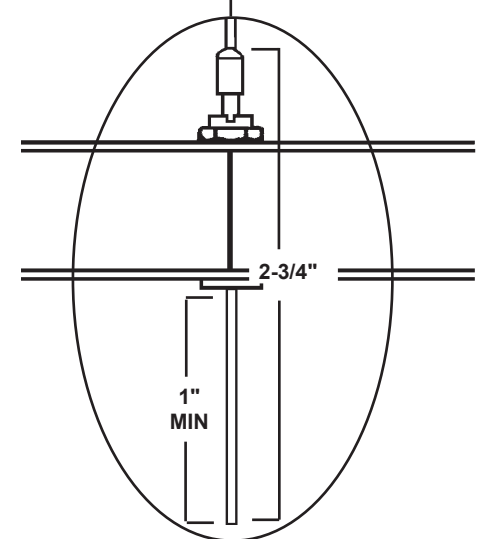
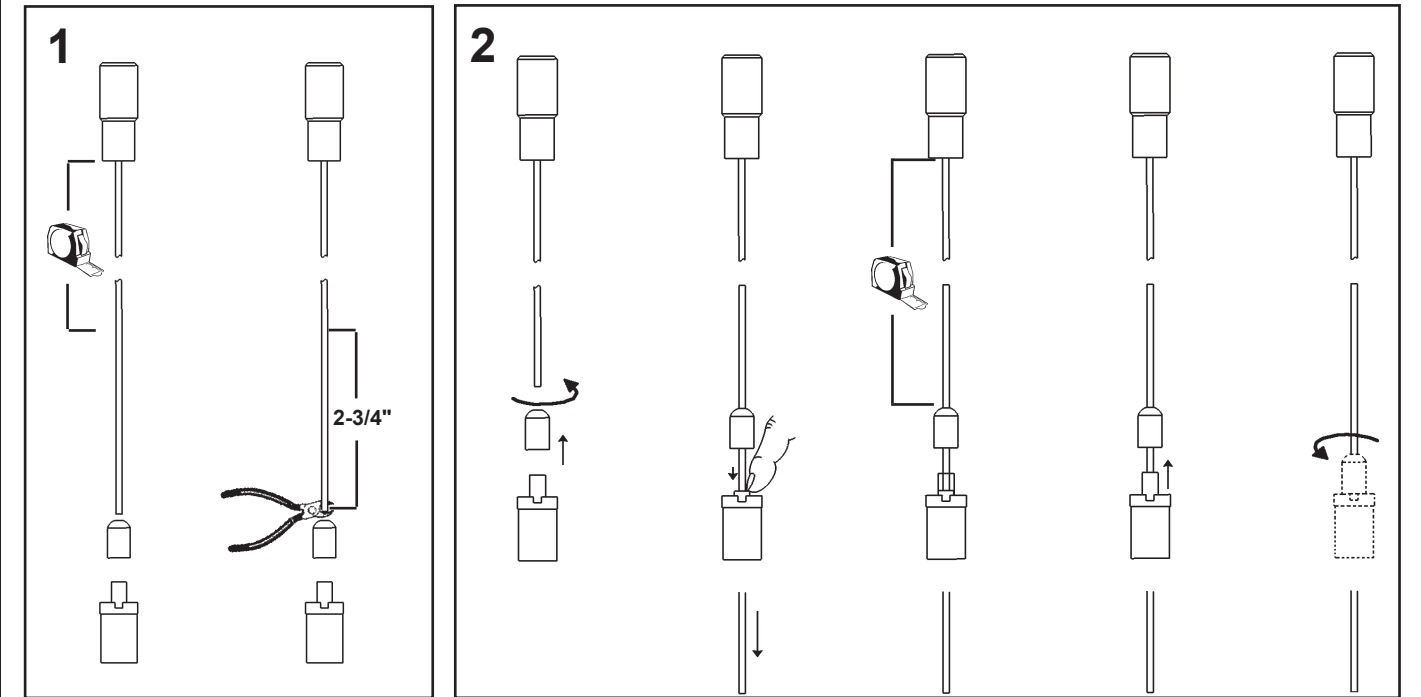
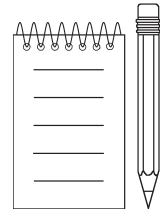


PLAN VIEW OF MOUNTING BRACKET



WARNING:
MOUNTING CONFIGURATION AND HARDWARE MUST HOLD 4X THE WEIGHT OF THE FIXTURE. MOUNTING DESIGN AND FIXTURE INSTALLATION SHOULD BE CONDUCTED BY A QUALIFIED LICENSED PROFESSIONAL.





1 X  : 1746

