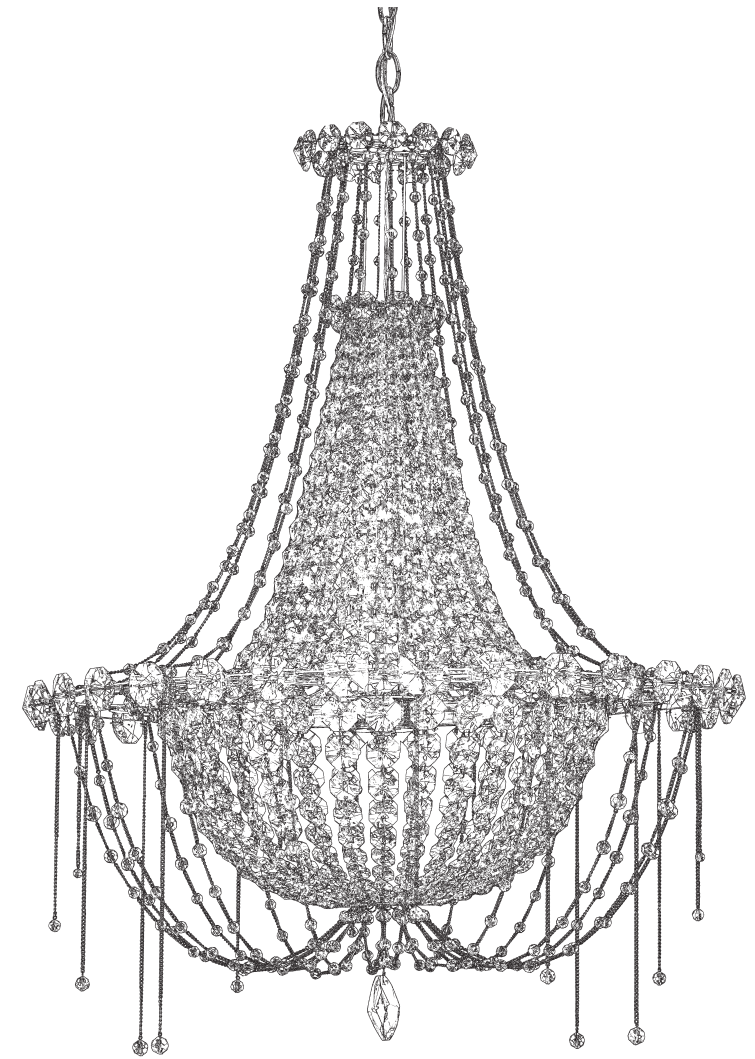


CHRYSALITA CM8326N-__ __O













6 Lights
Diameter: 25"
Height: 32-1/2"
Hanging Weight: 21lbs.

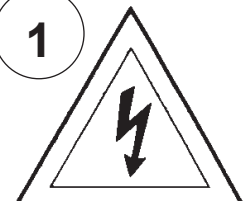
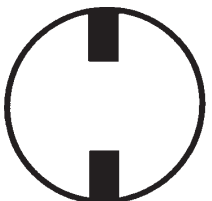
THIS DESIGN IS THE PROPRIETARY
TRADE DRESS/TRADEMARK OF
W SCHONBEK LLC.

 **SCHONBEK** | 1870

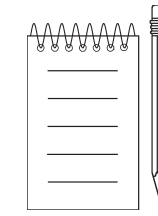
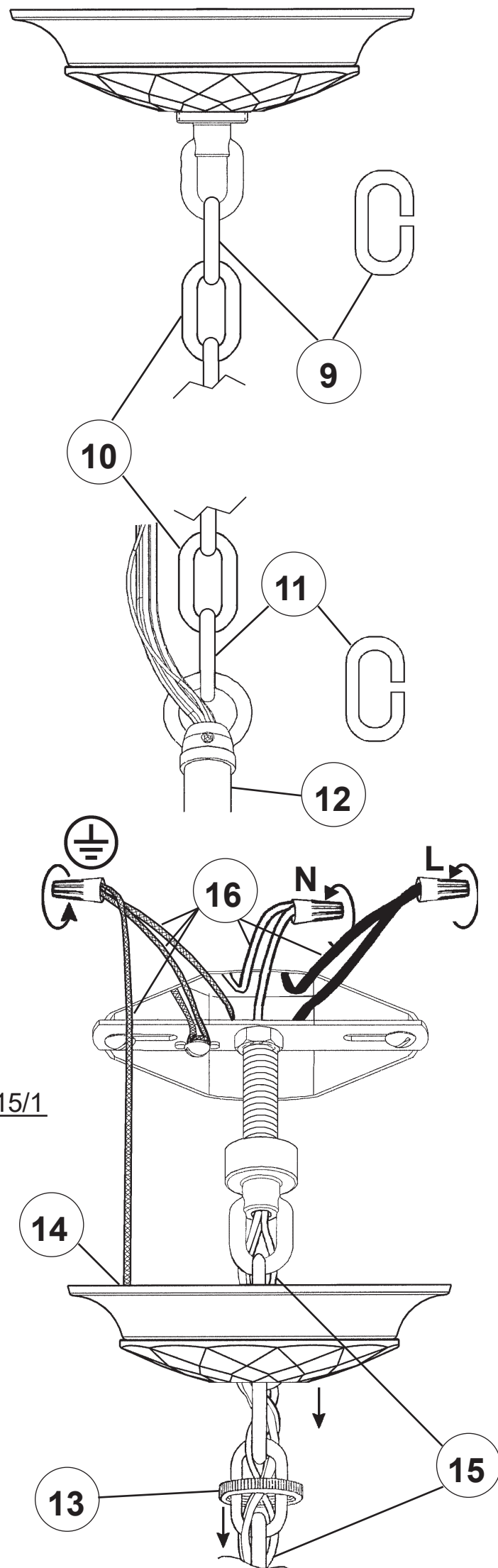
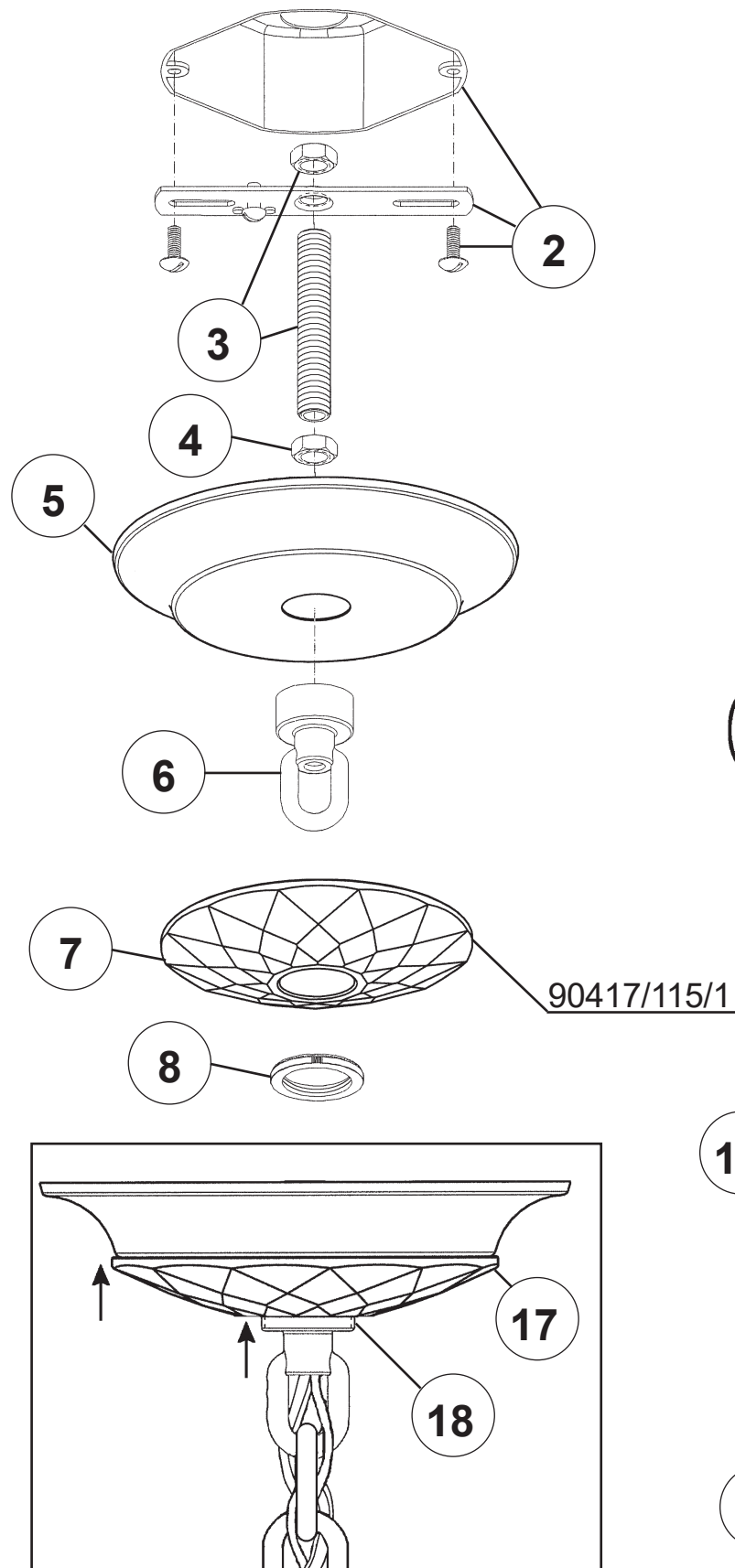
 **SCHONBEK** | 1870

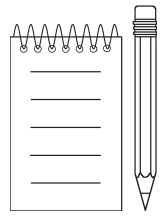
								
MAX <u>40</u> W	110-120 V							



WARNING:

1  **Electrical Danger**  **Turn Power Off**

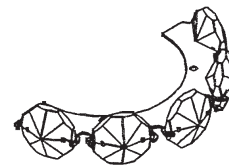
All electrical components must be installed by a licensed electrician in accordance with the National Electric Code and the appropriate local electrical codes.



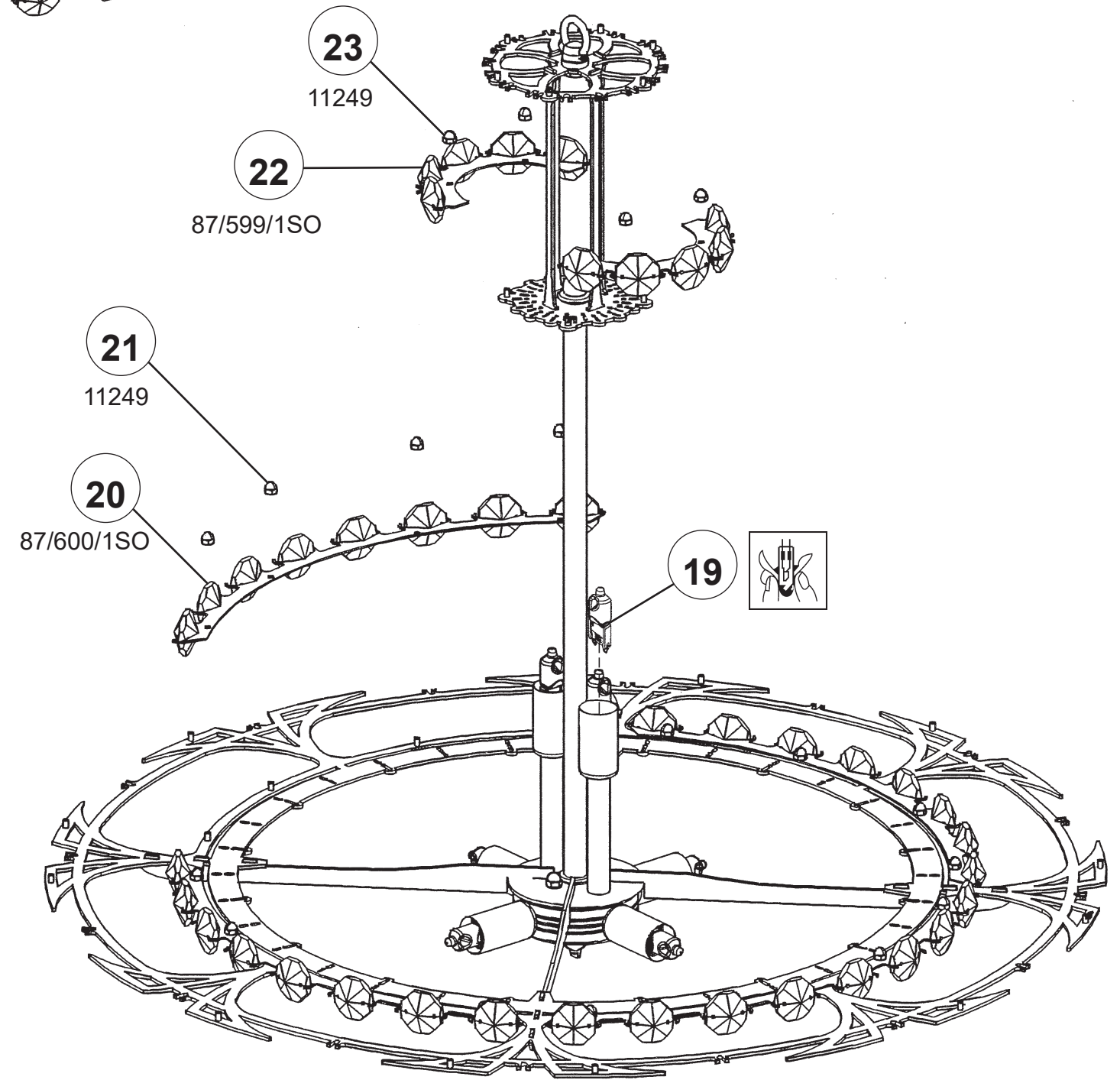


6 X  : G9 40W MAX 

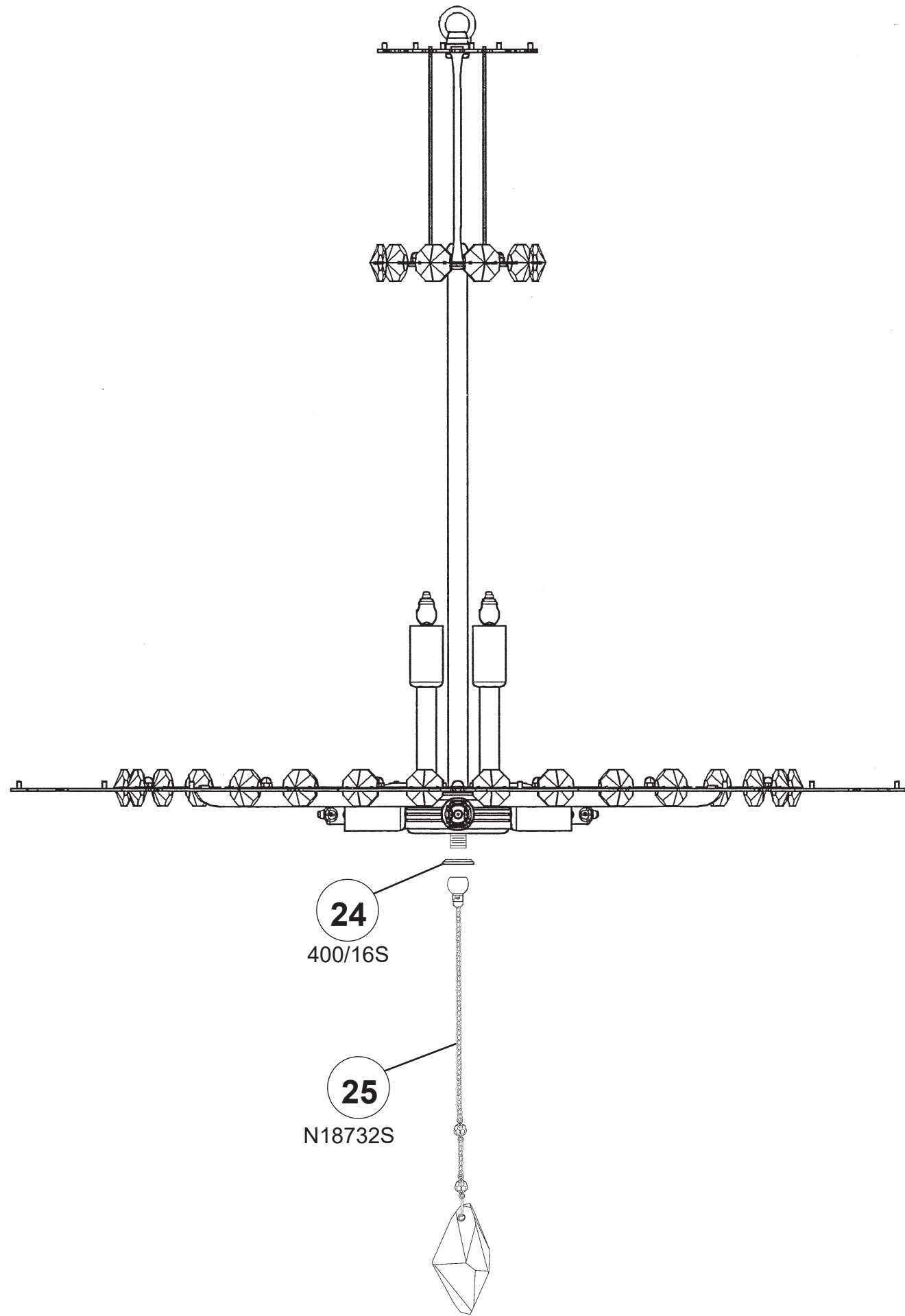
38 X  : 11249


2 X  : 87/599/1SO

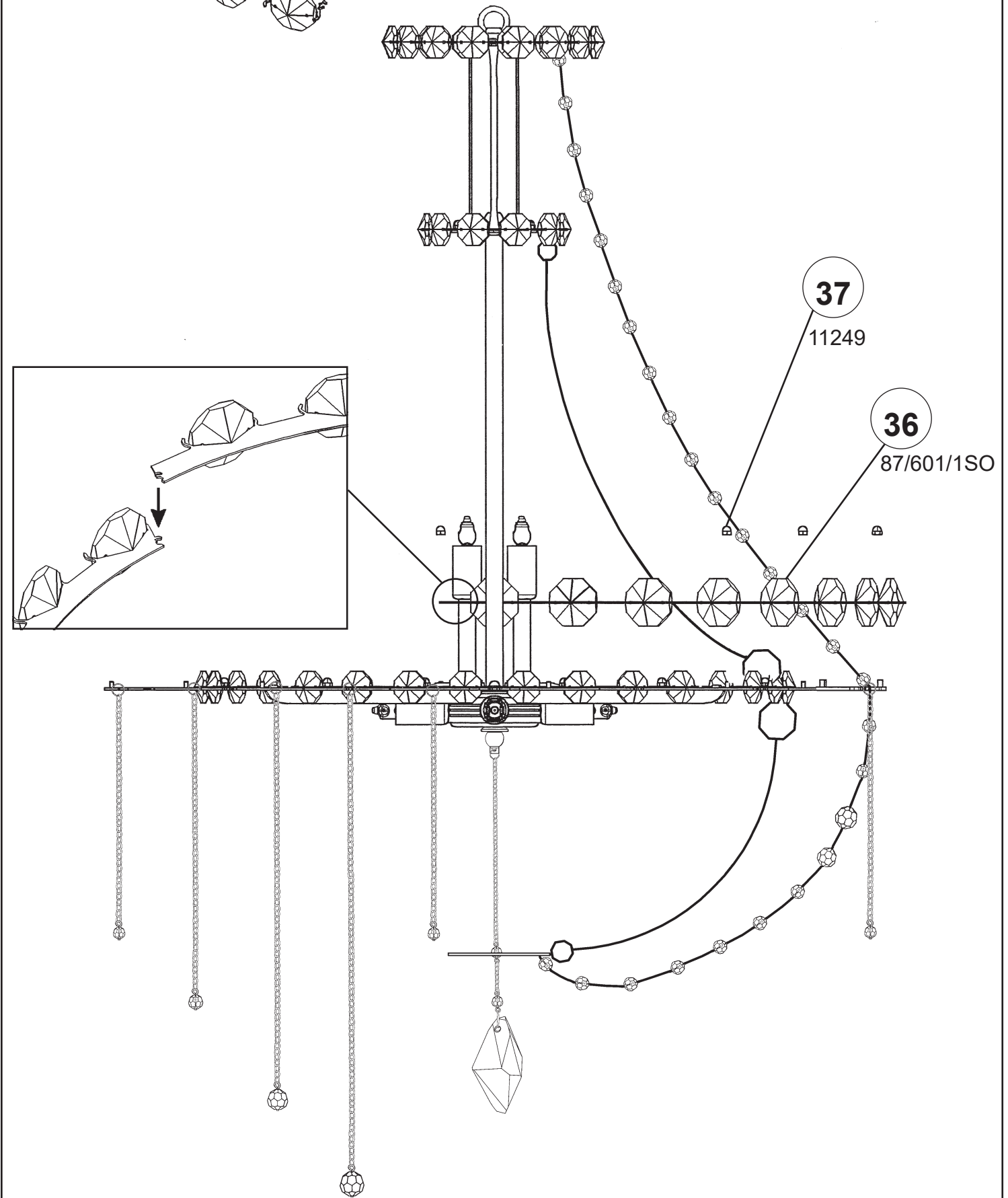
4 X  : 87/600/1SO

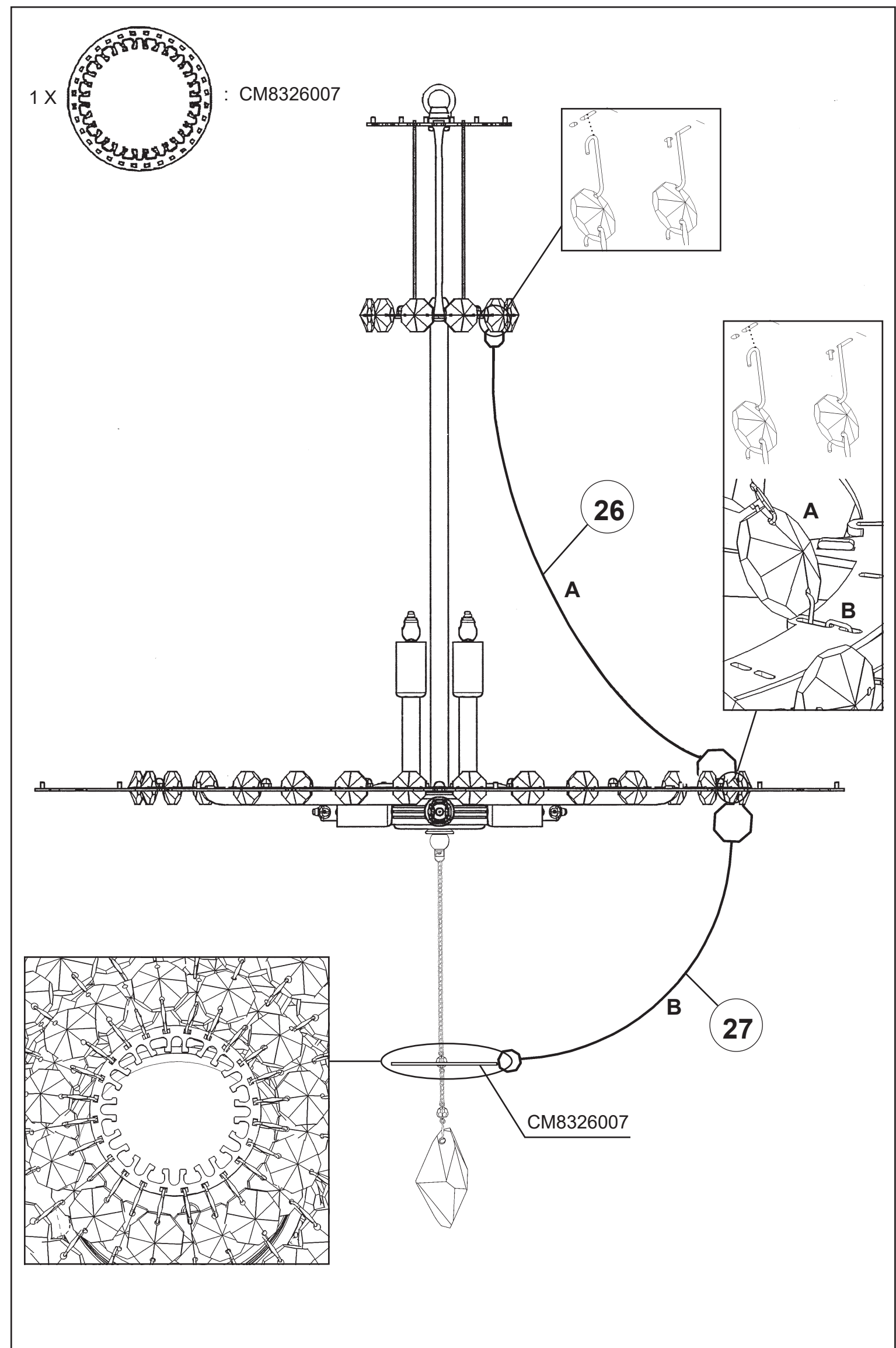
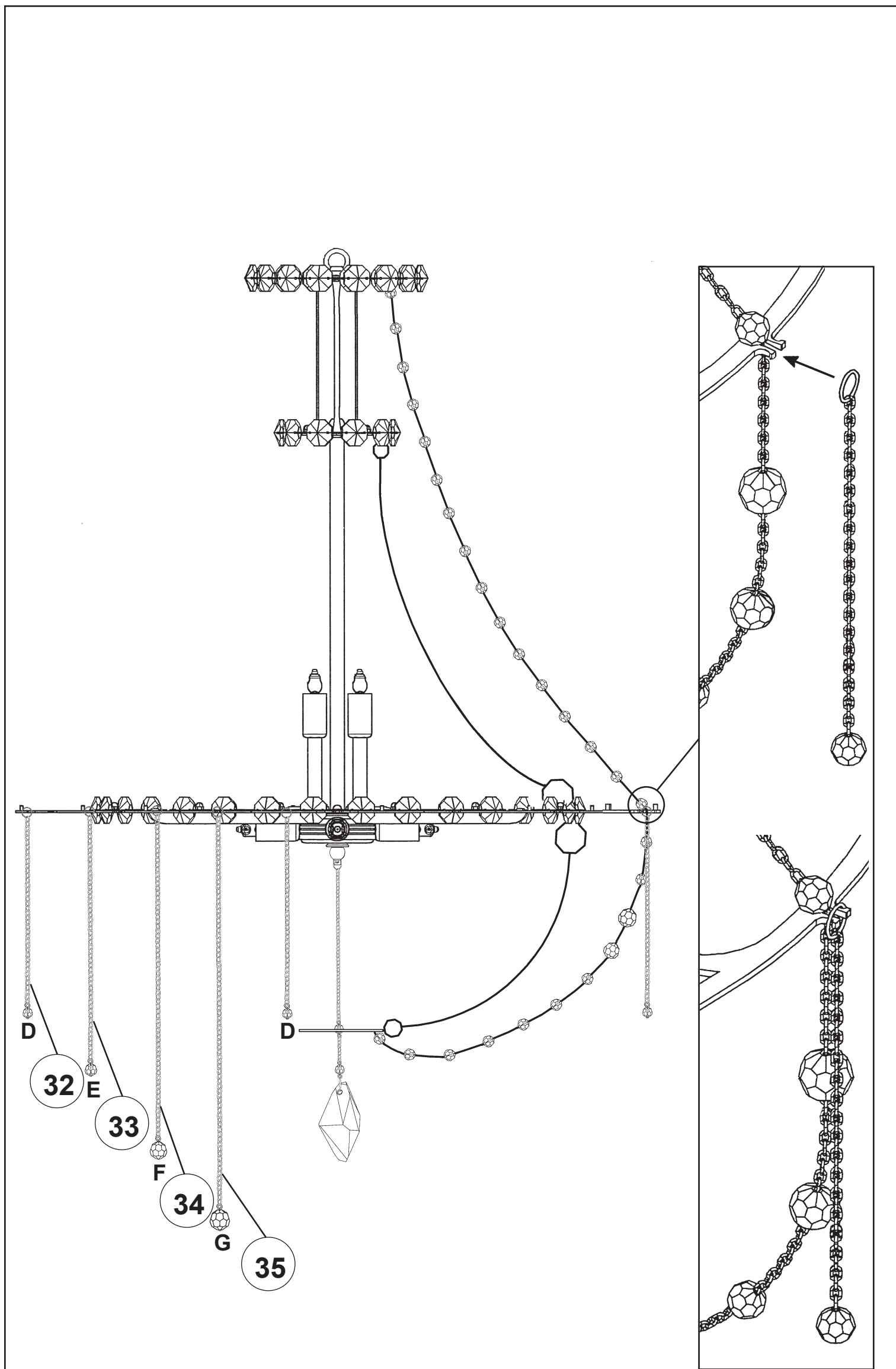


1 X  : 400/16S



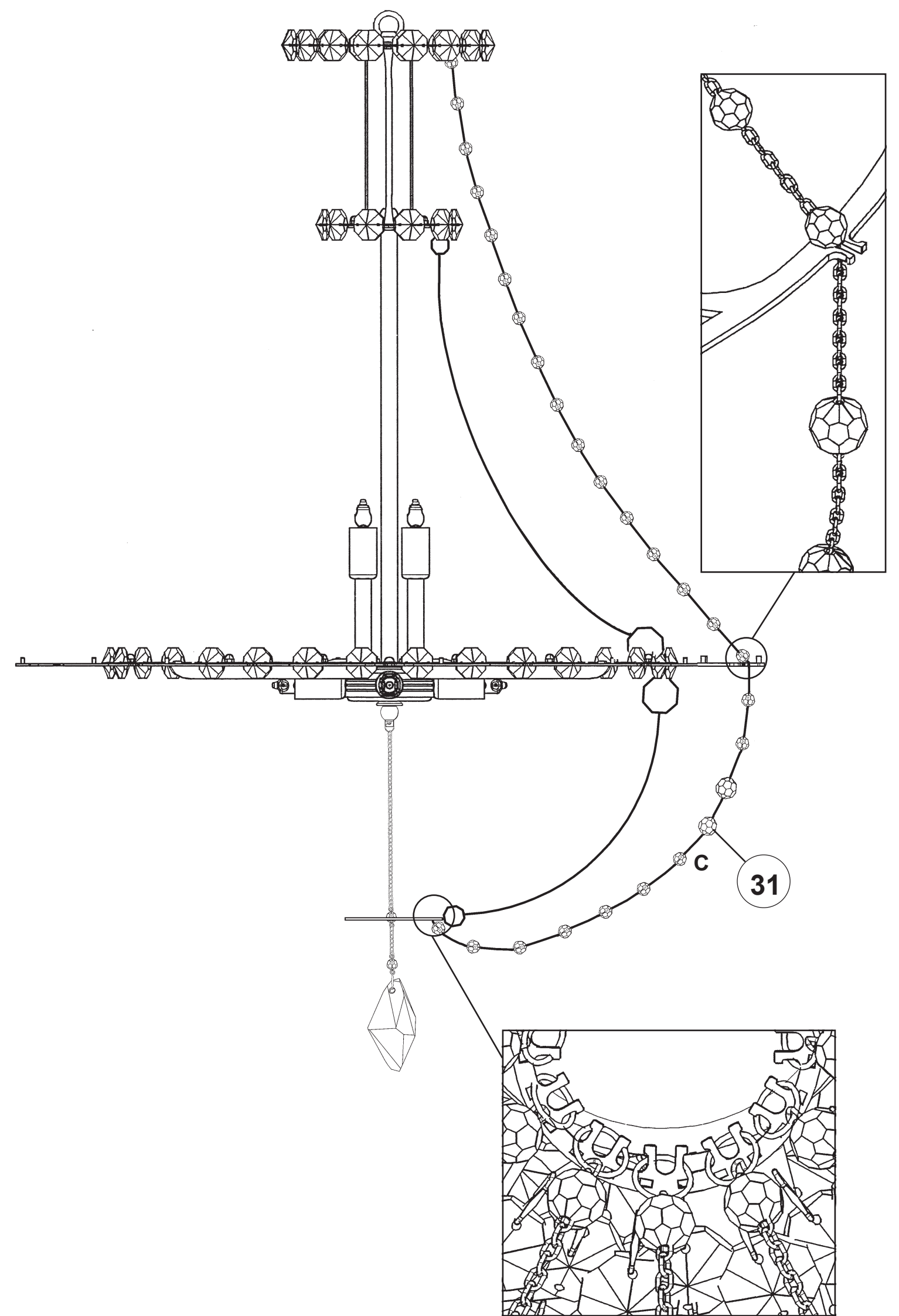
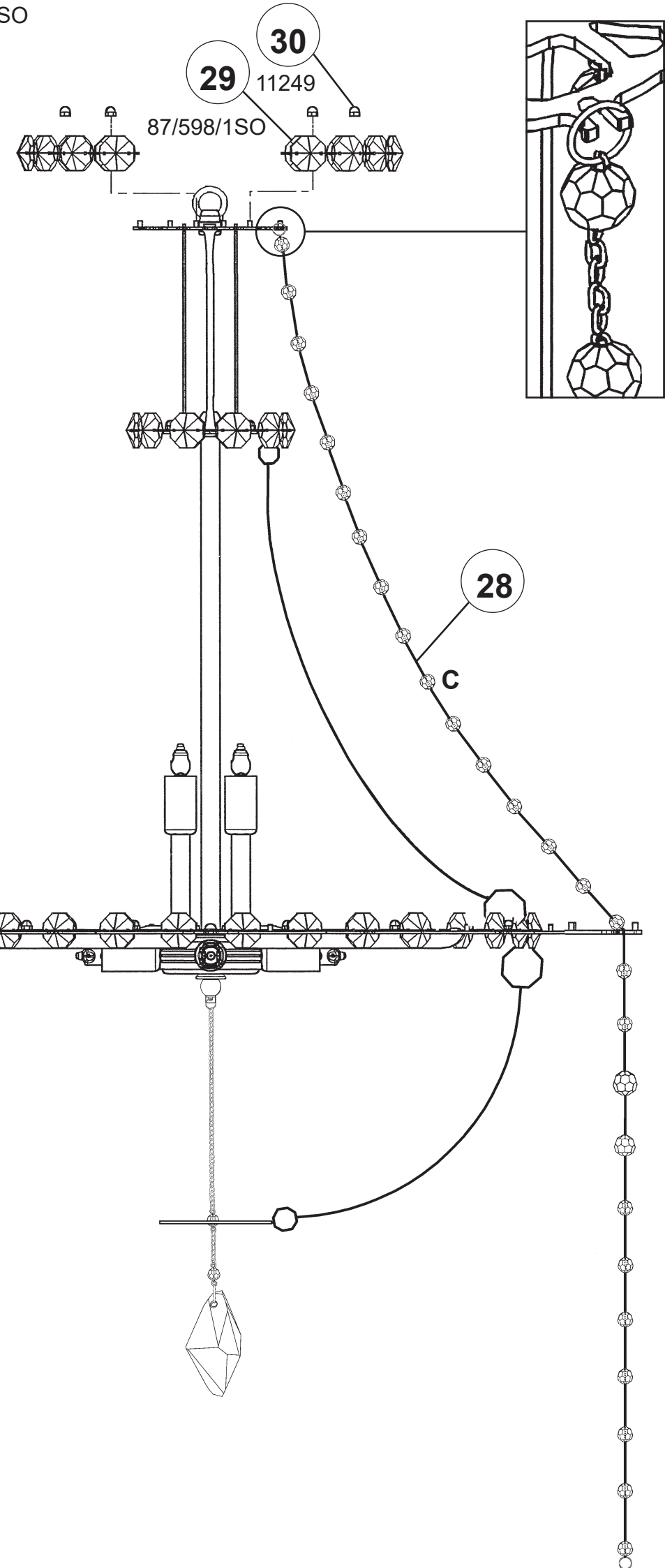
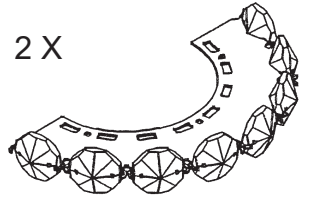
4 X  : 87/601/1SO



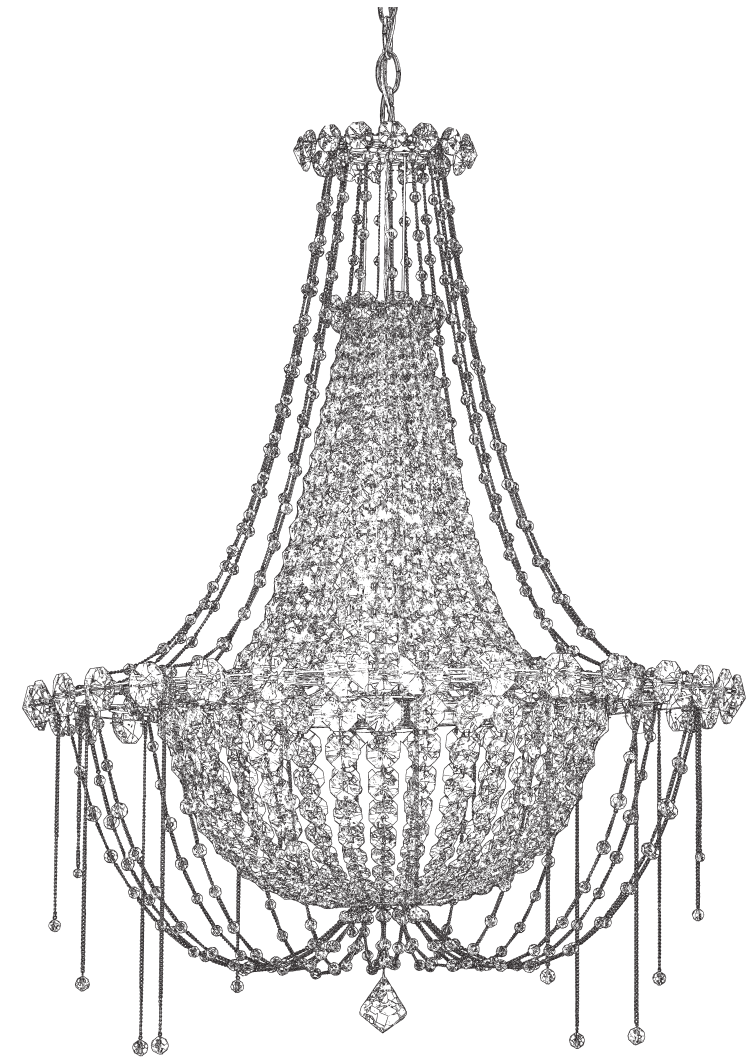


2 X

: 87/598/1SO



CHRYSALITA CM8326N-__ __R













6 Lights
Diameter: 25"
Height: 32-1/2"
Hanging Weight: 21lbs.

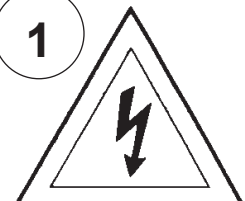
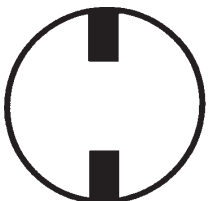
THIS DESIGN IS THE PROPRIETARY
TRADE DRESS/TRADEMARK OF
W SCHONBEK LLC.

 **SCHONBEK** | 1870

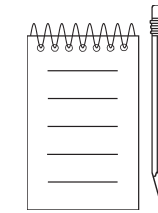
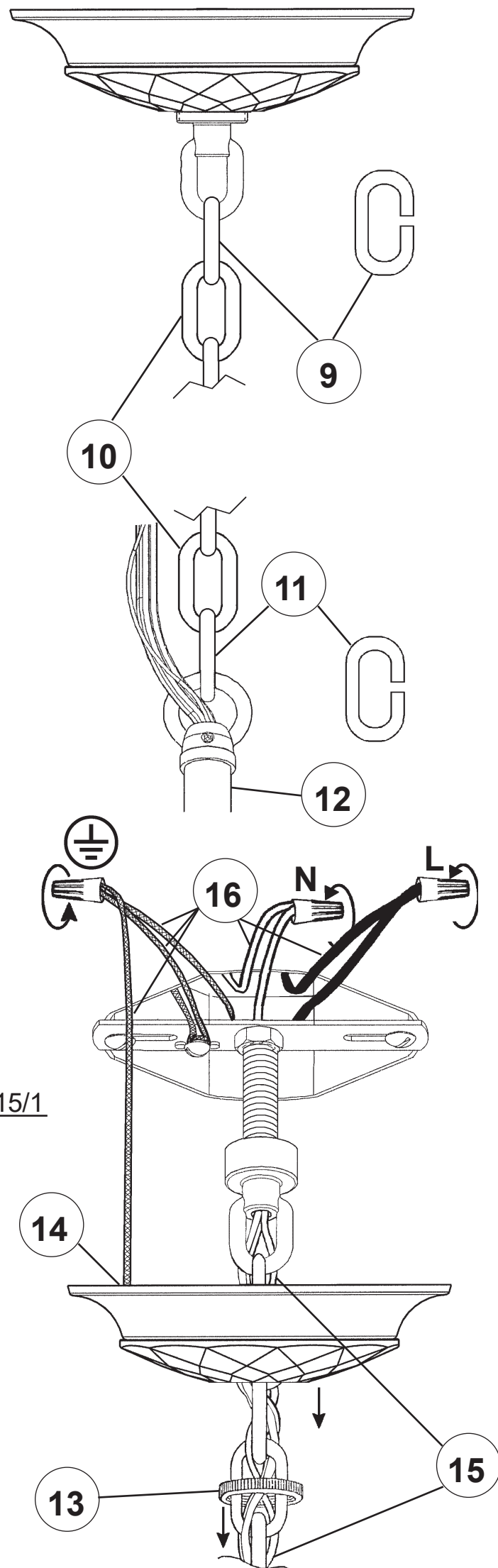
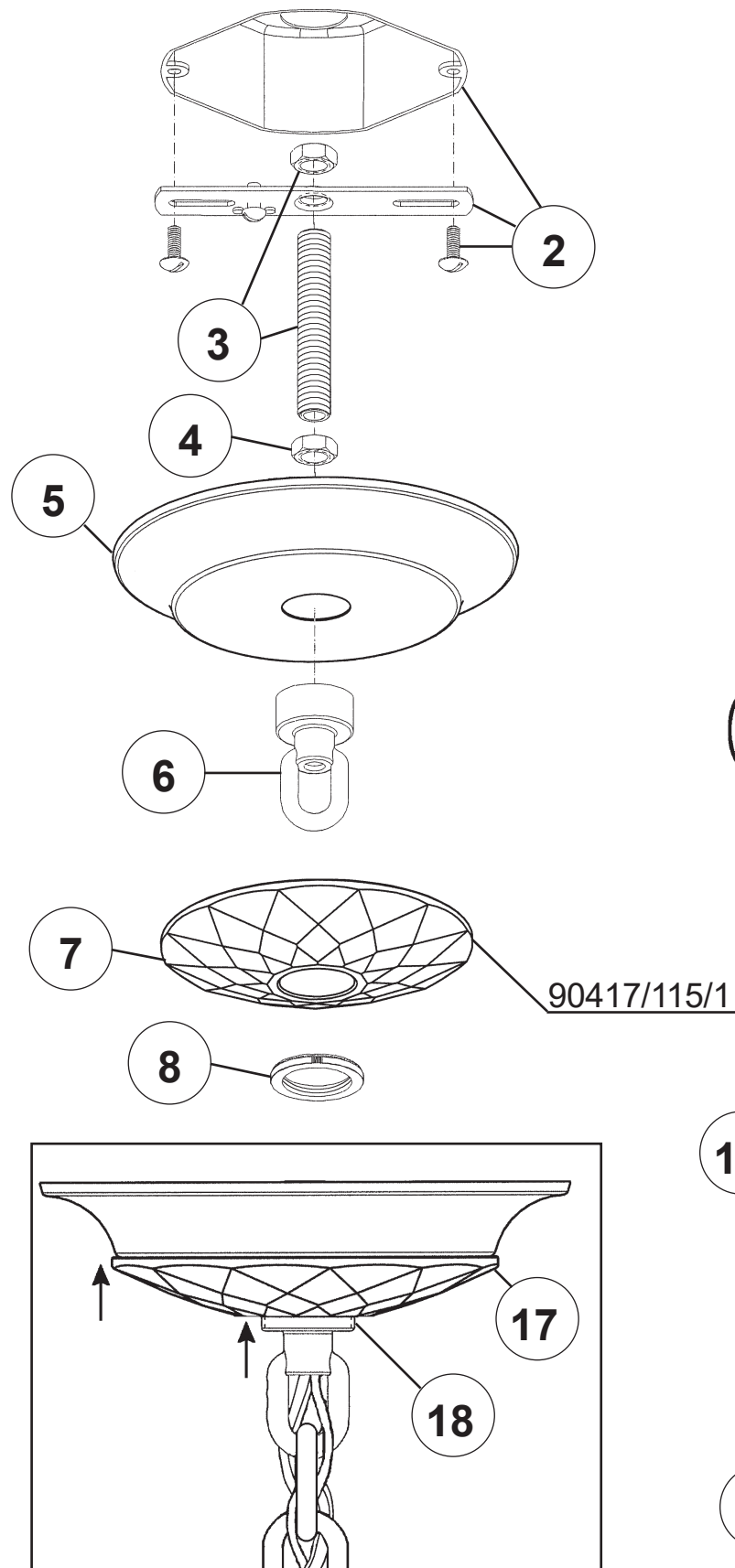
 **SCHONBEK** | 1870

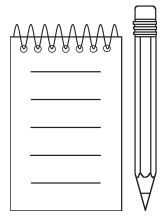
								
MAX <u>40</u> W	110-120 V							

WARNING:


1  **Electrical Danger**  **Turn Power Off**

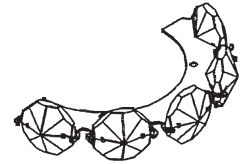
All electrical components must be installed by a licensed electrician in accordance with the National Electric Code and the appropriate local electrical codes.



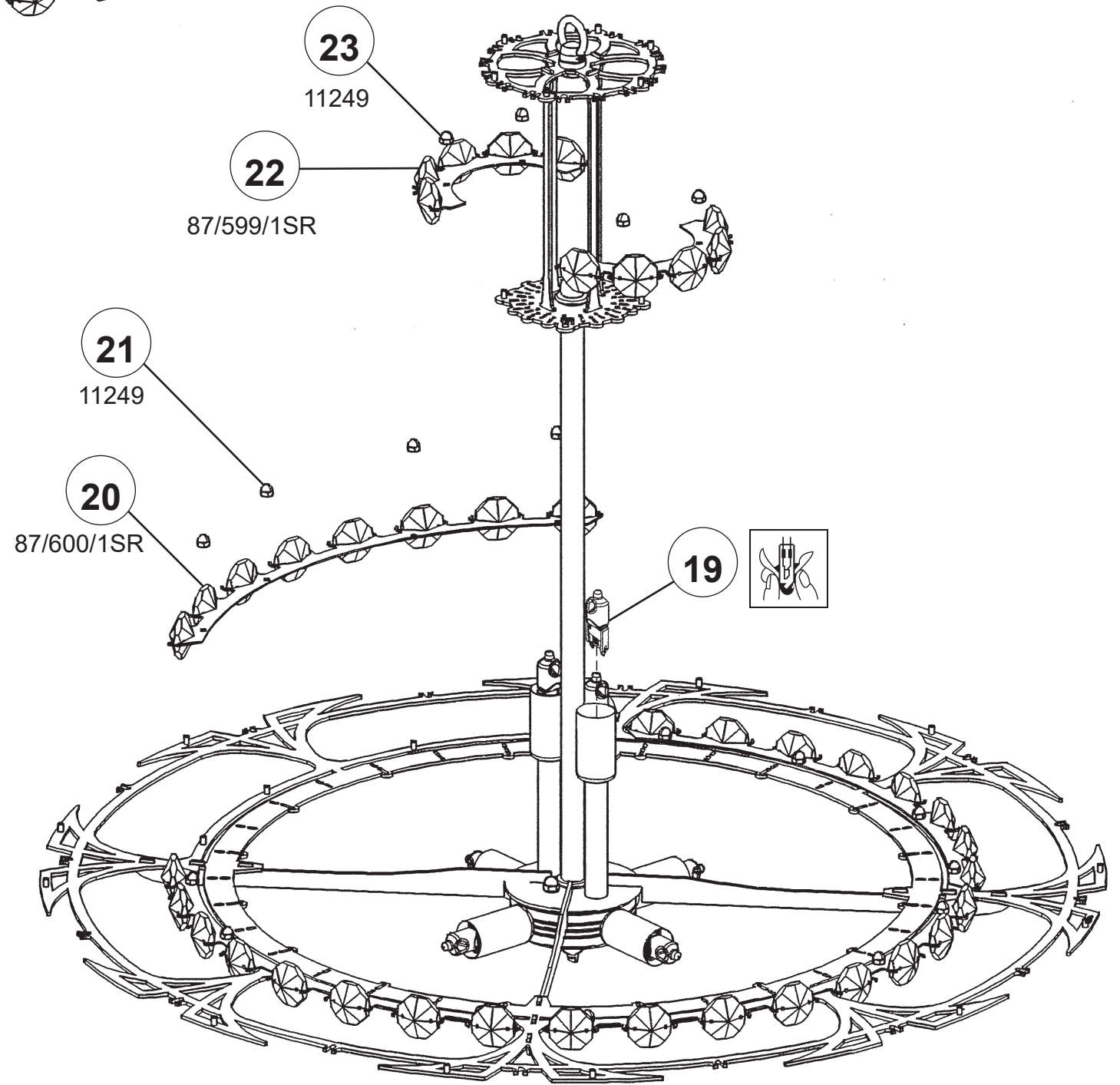


6 X  : G9 40W MAX 

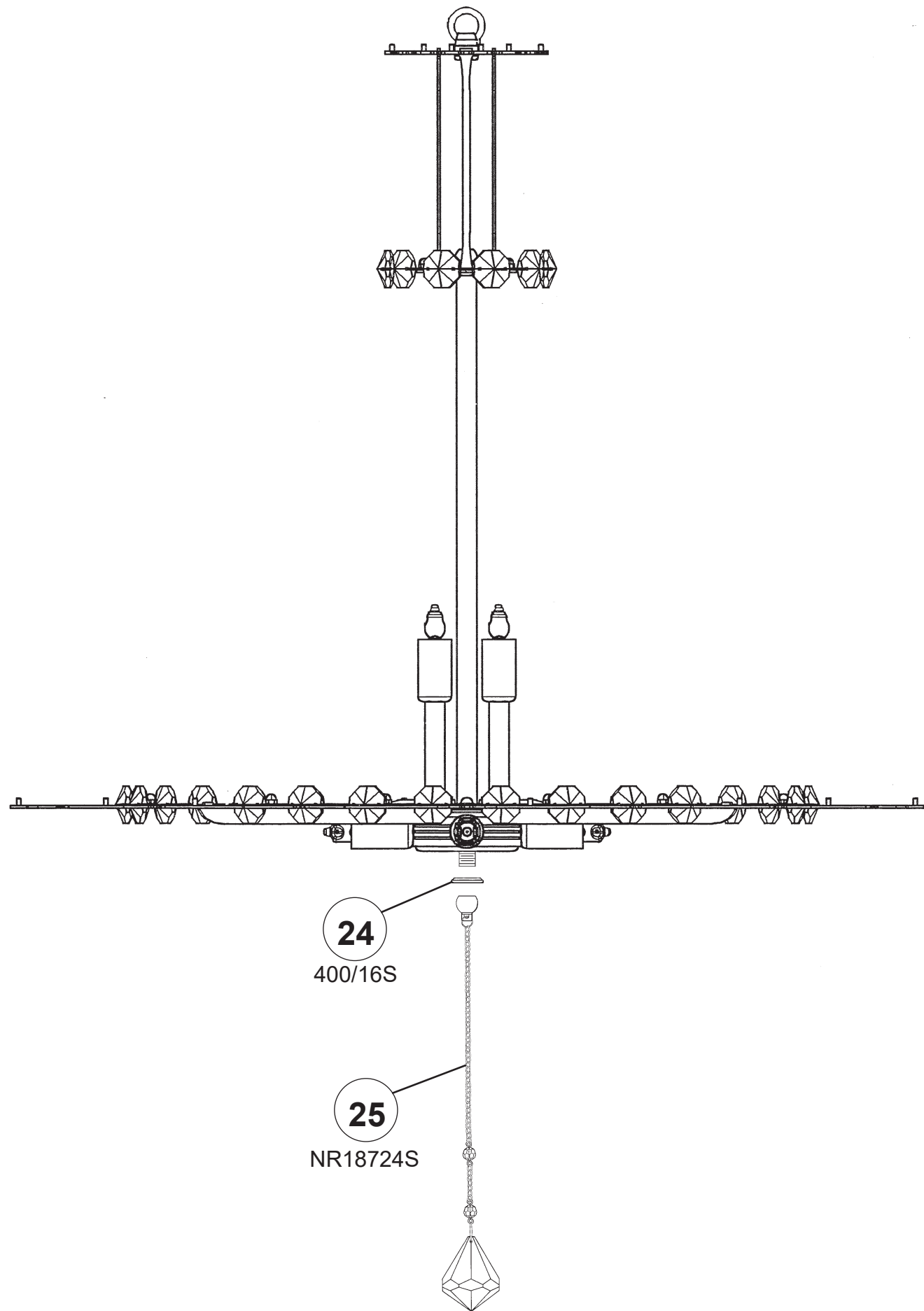
38 X  : 11249

2 X  : 87/599/1SR

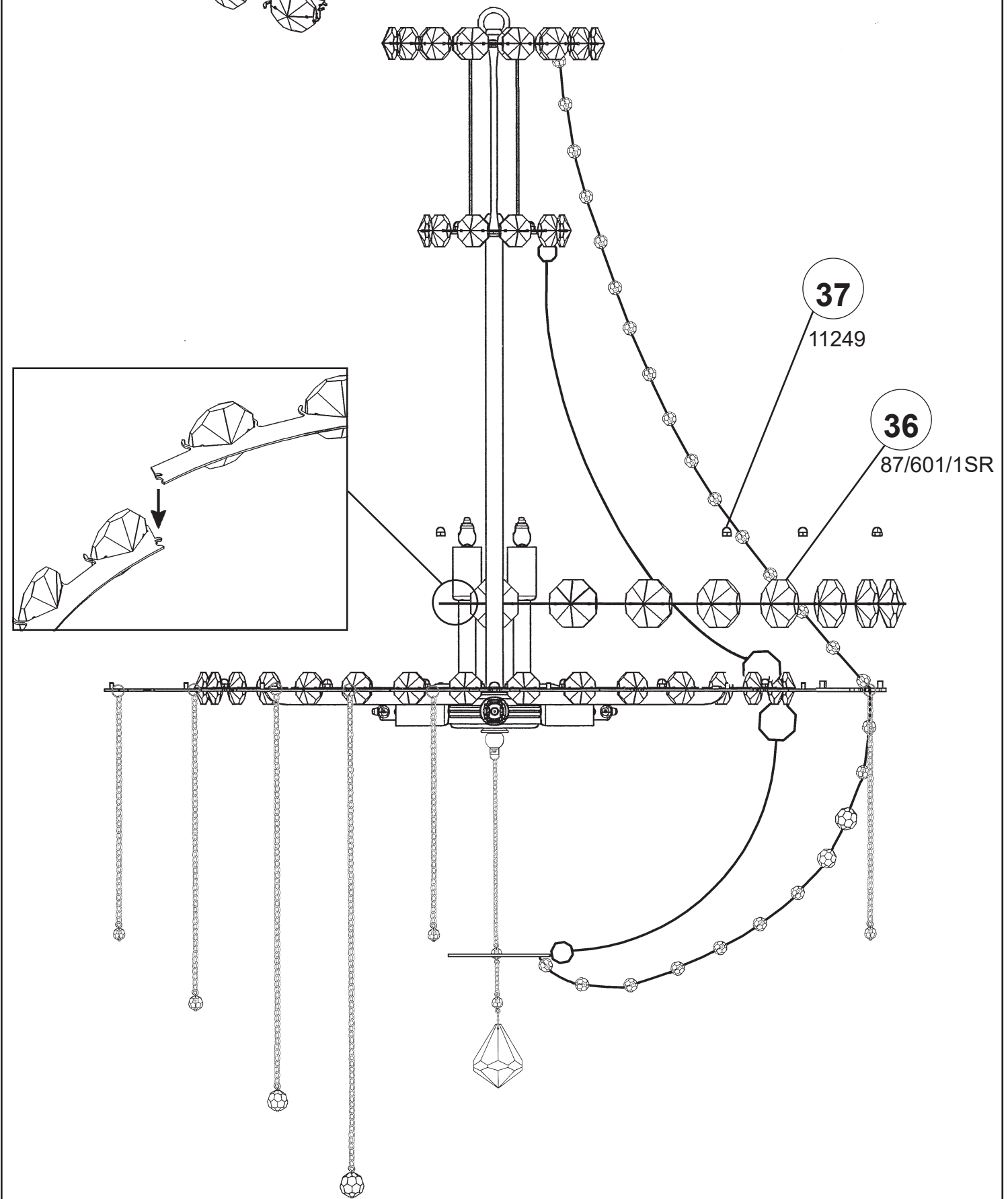
4 X  : 87/600/1SR

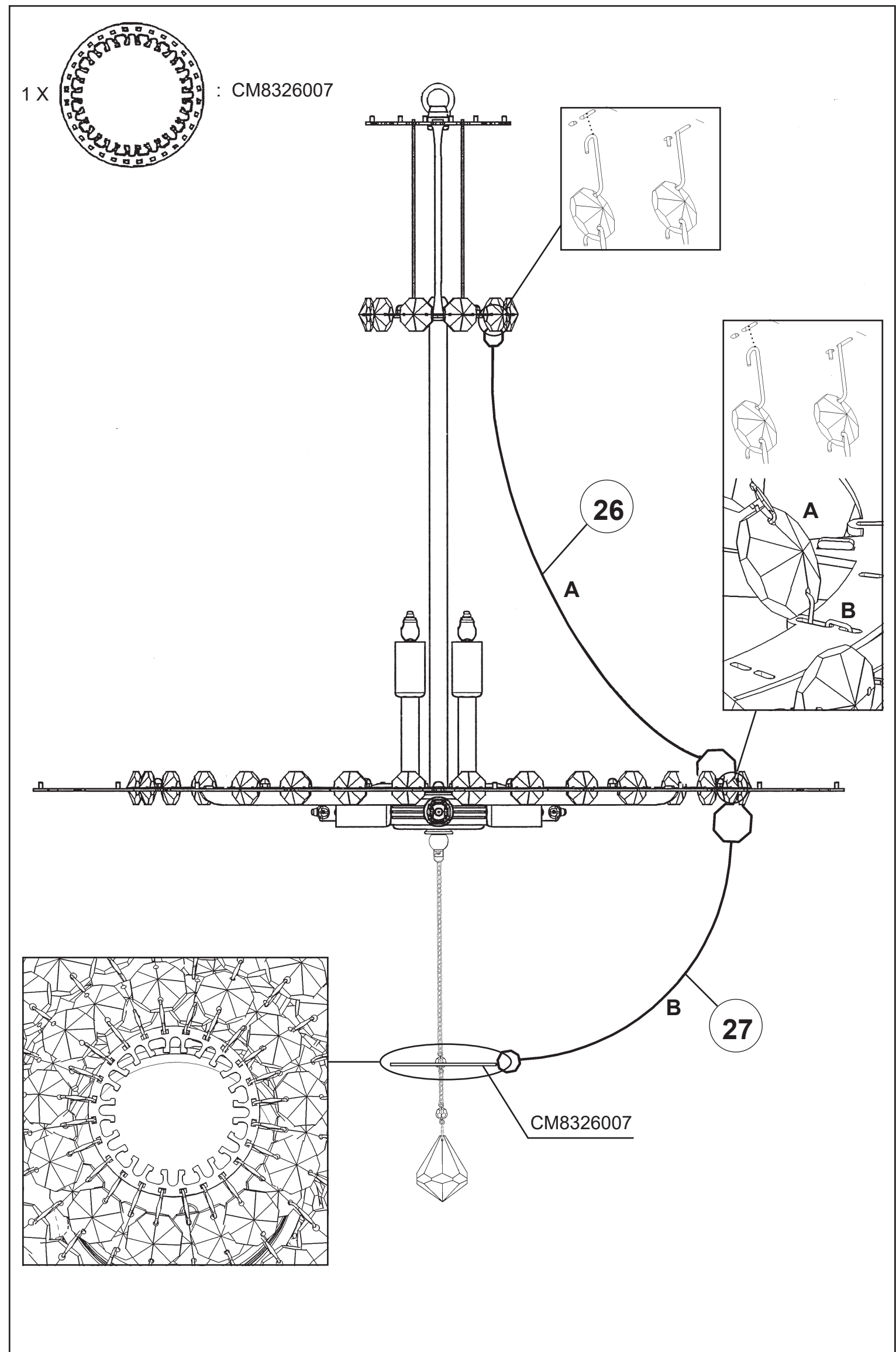
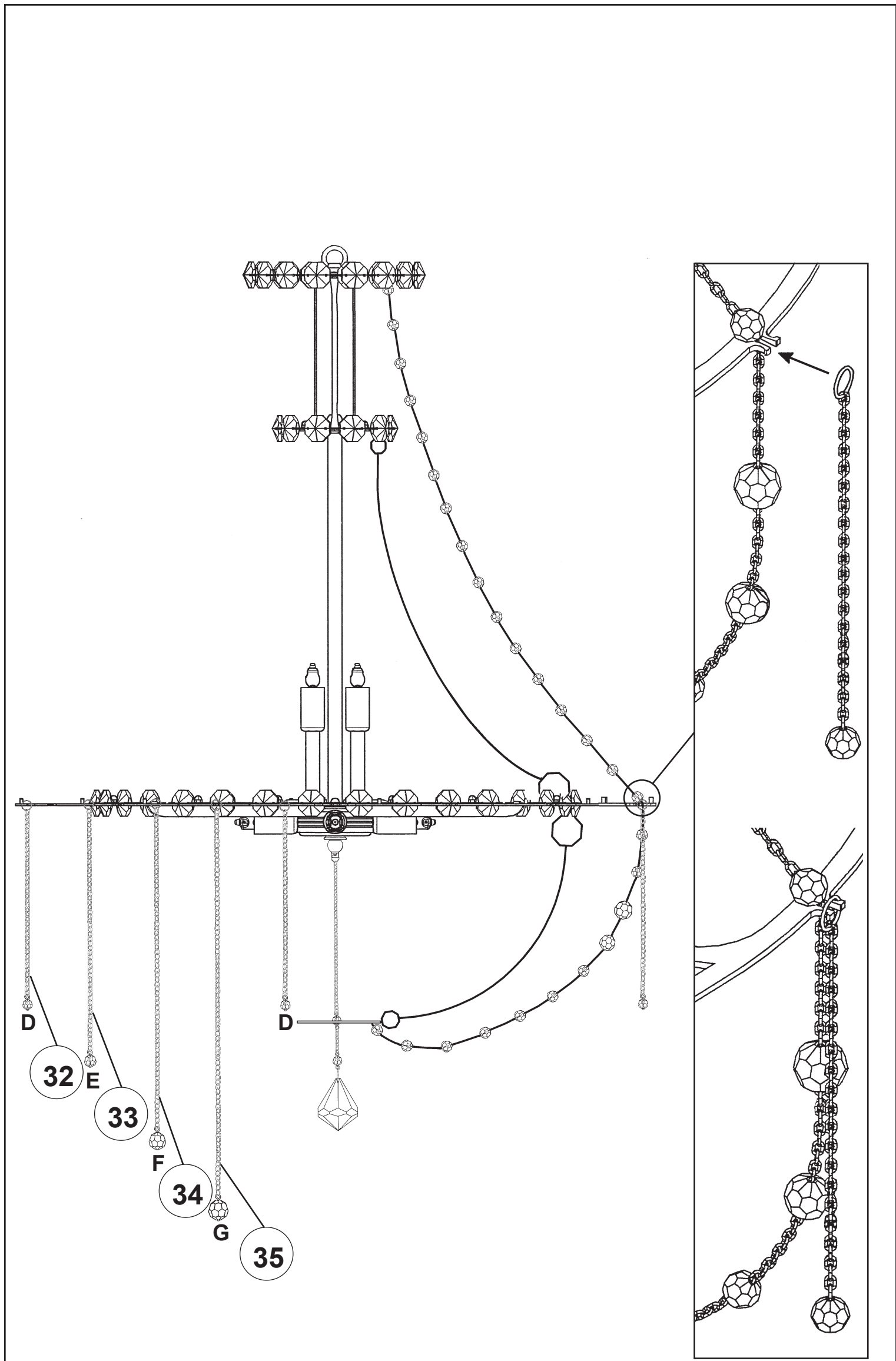


1 X  : 400/16S



4 X  : 87/601/1SR





2 X

: 87/598/1SR

