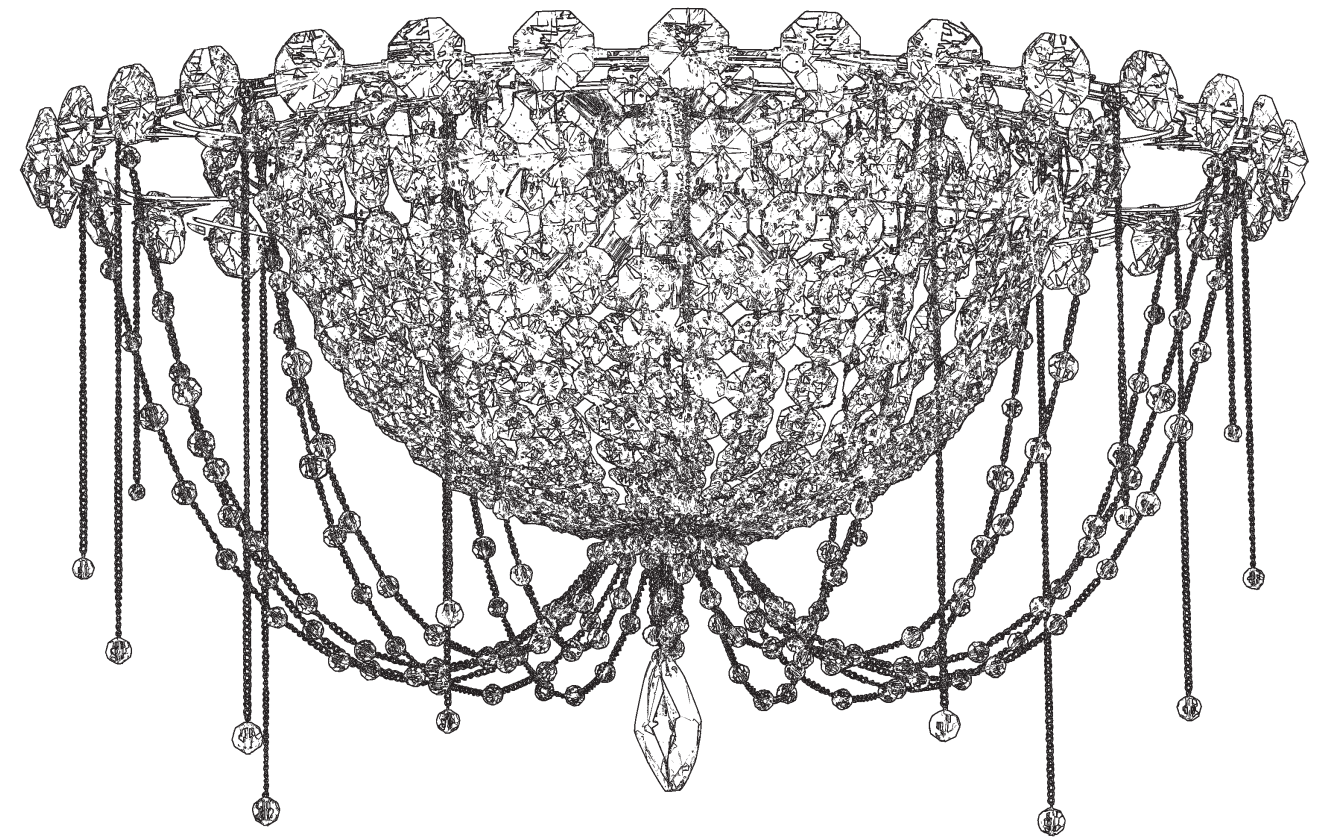


CHRYSALITA CM8426N-__ __O

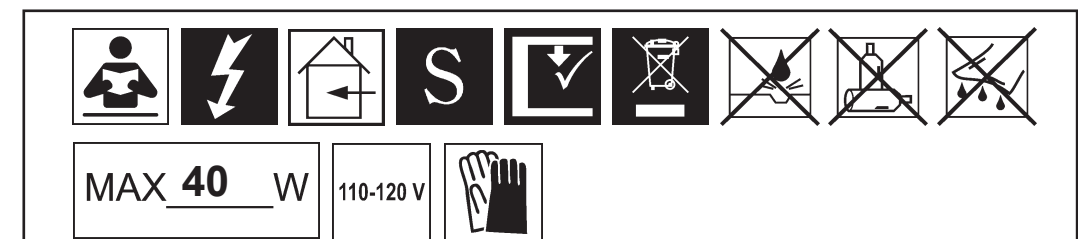


5 Lights
Diameter: 25-1/2"
Height: 13"
Hanging Weight: 17lbs.

THIS DESIGN IS THE PROPRIETARY
TRADE DRESS/TRADEMARK OF
W SCHONBEK LLC.

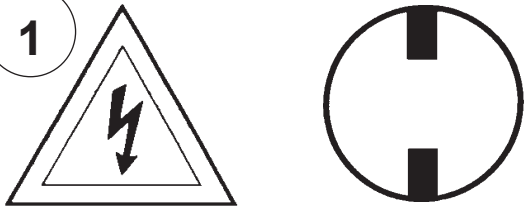
 **SCHONBEK** | 1870

 **SCHONBEK** | 1870



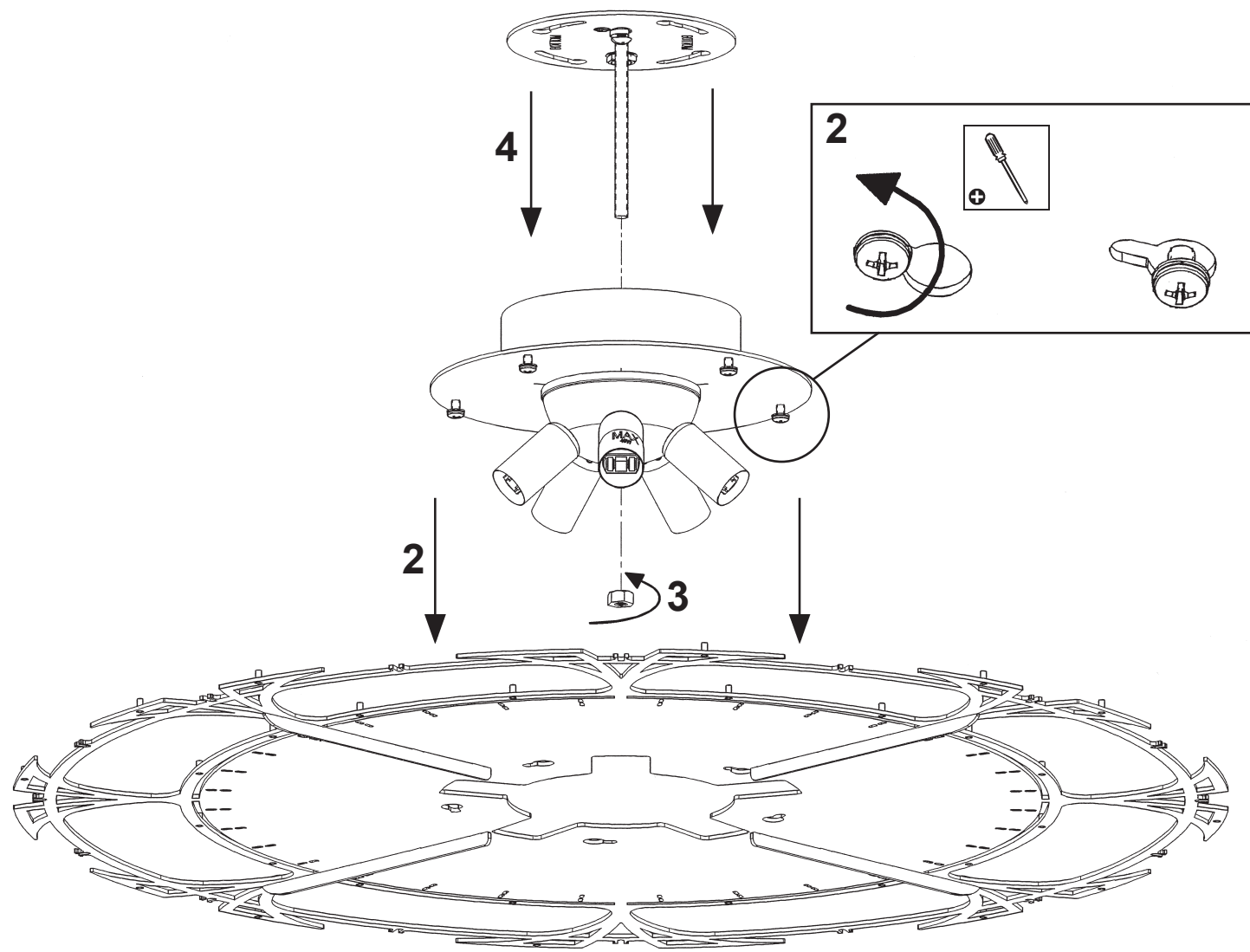
WARNING:

1

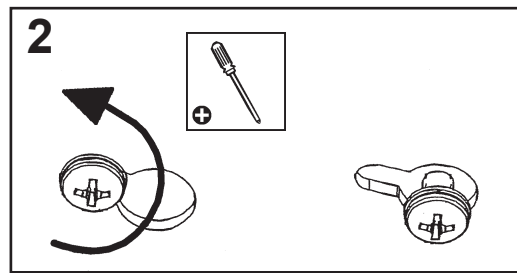


Electrical Danger Turn Power Off

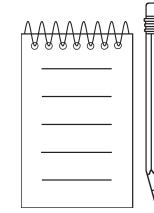
All electrical components must be installed by a licensed electrician in accordance with the National Electric Code and the appropriate local electrical codes.

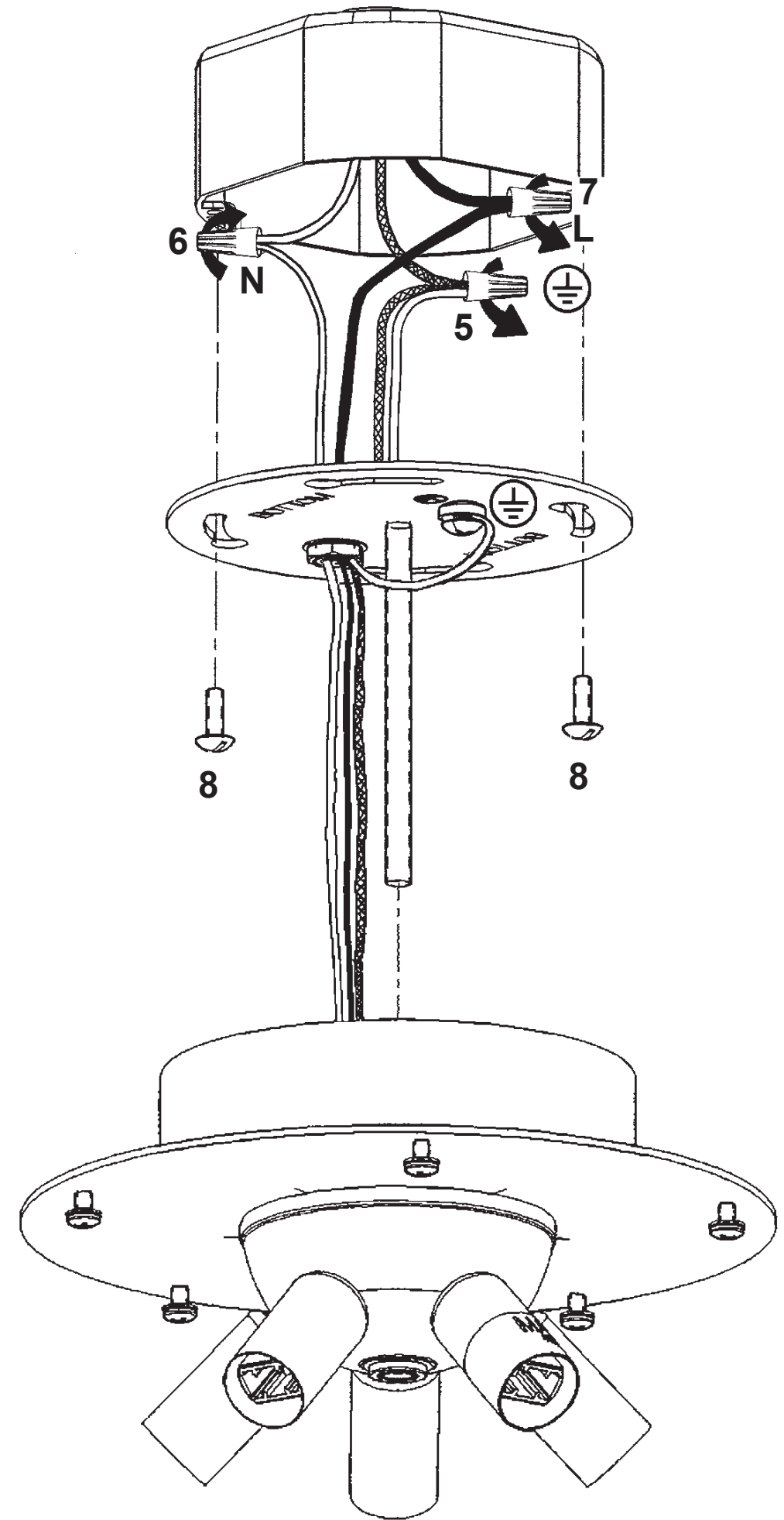
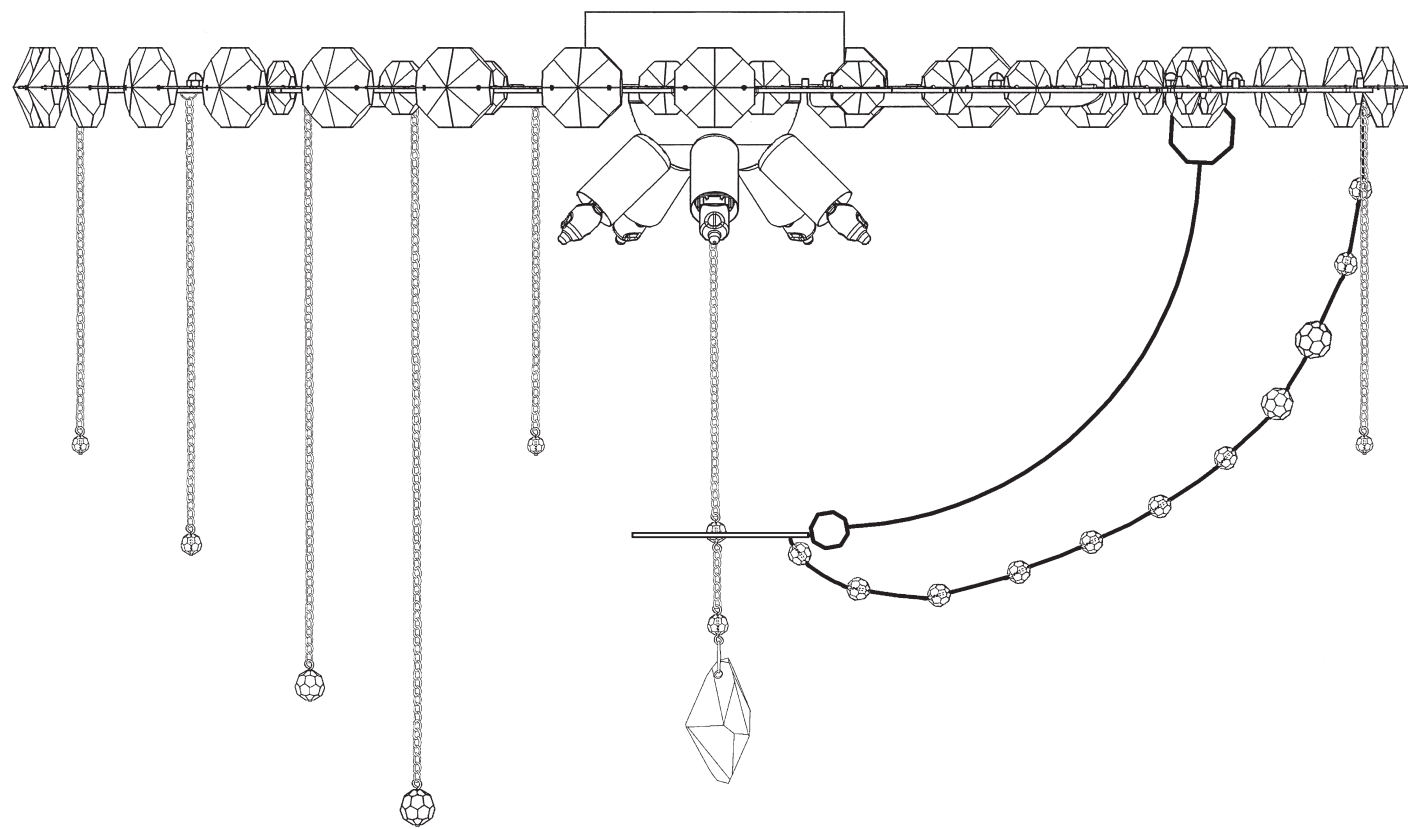
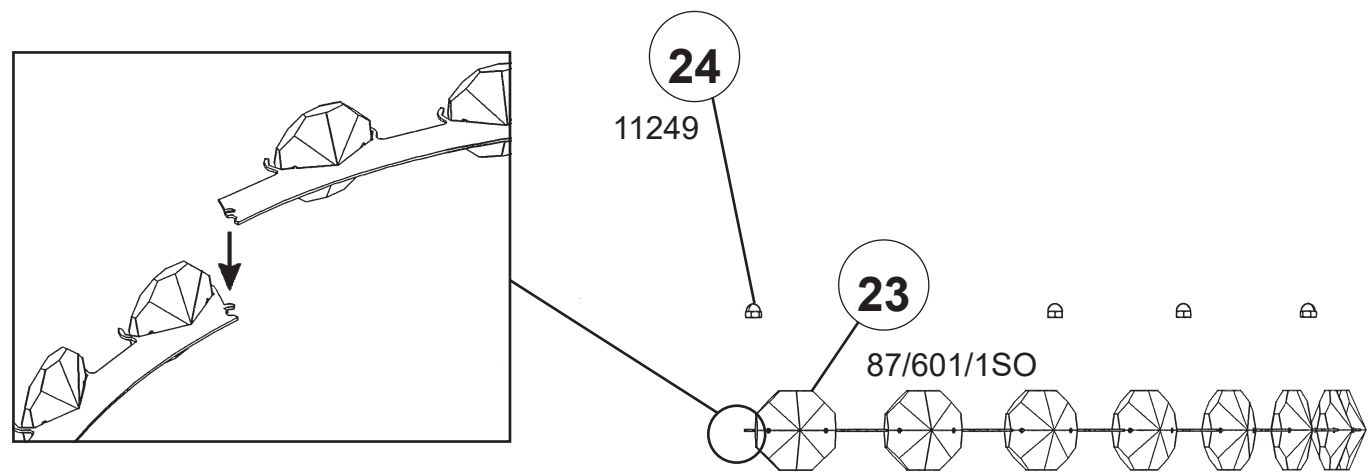
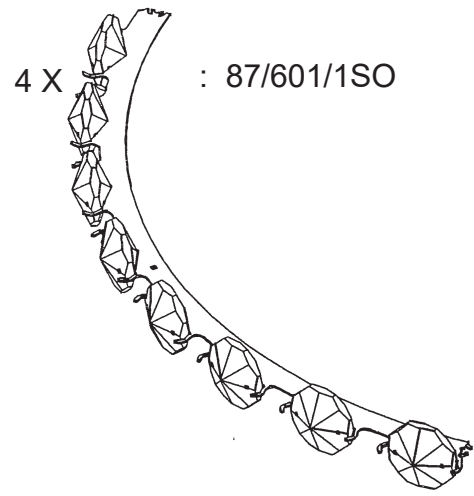


2

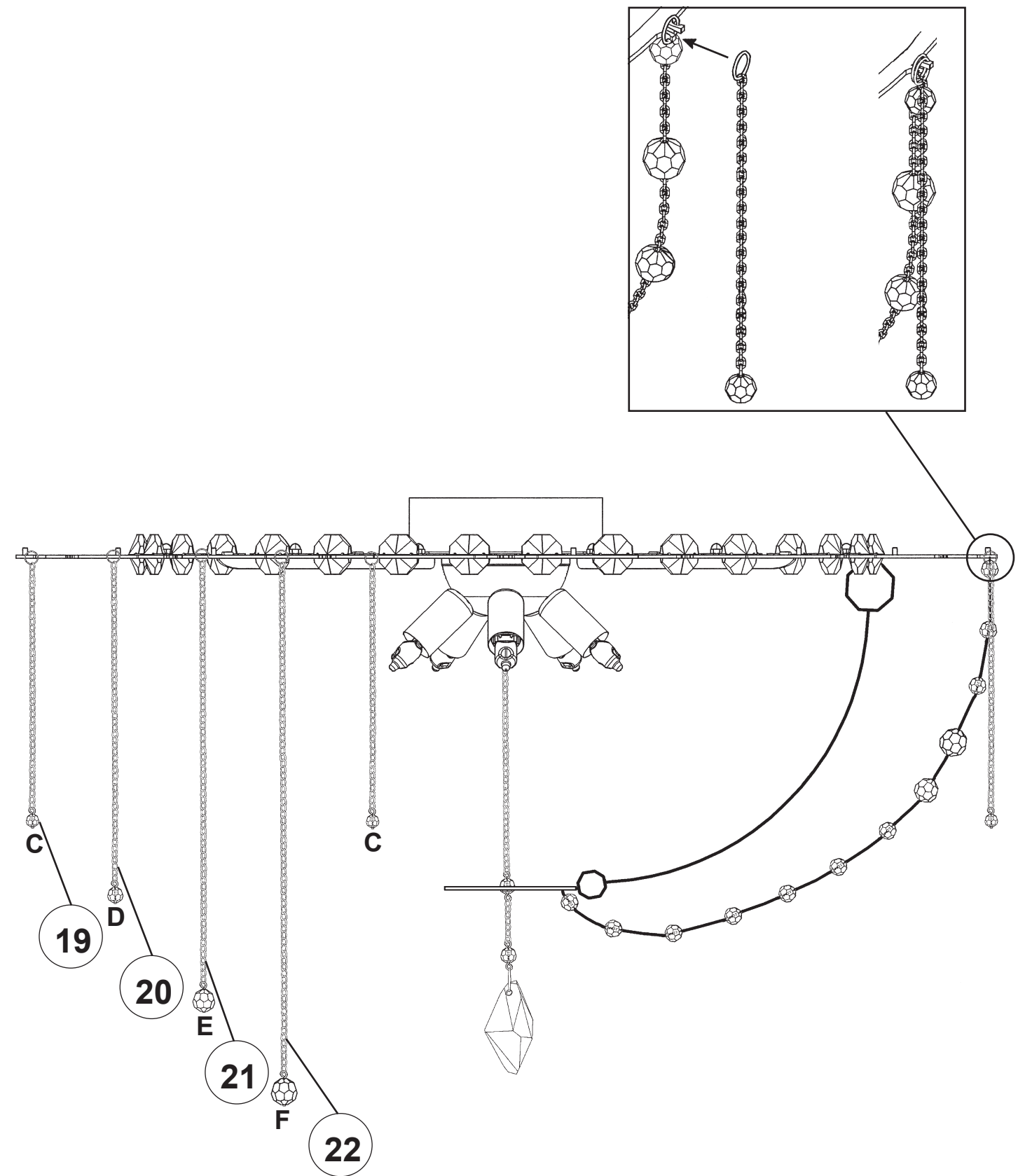
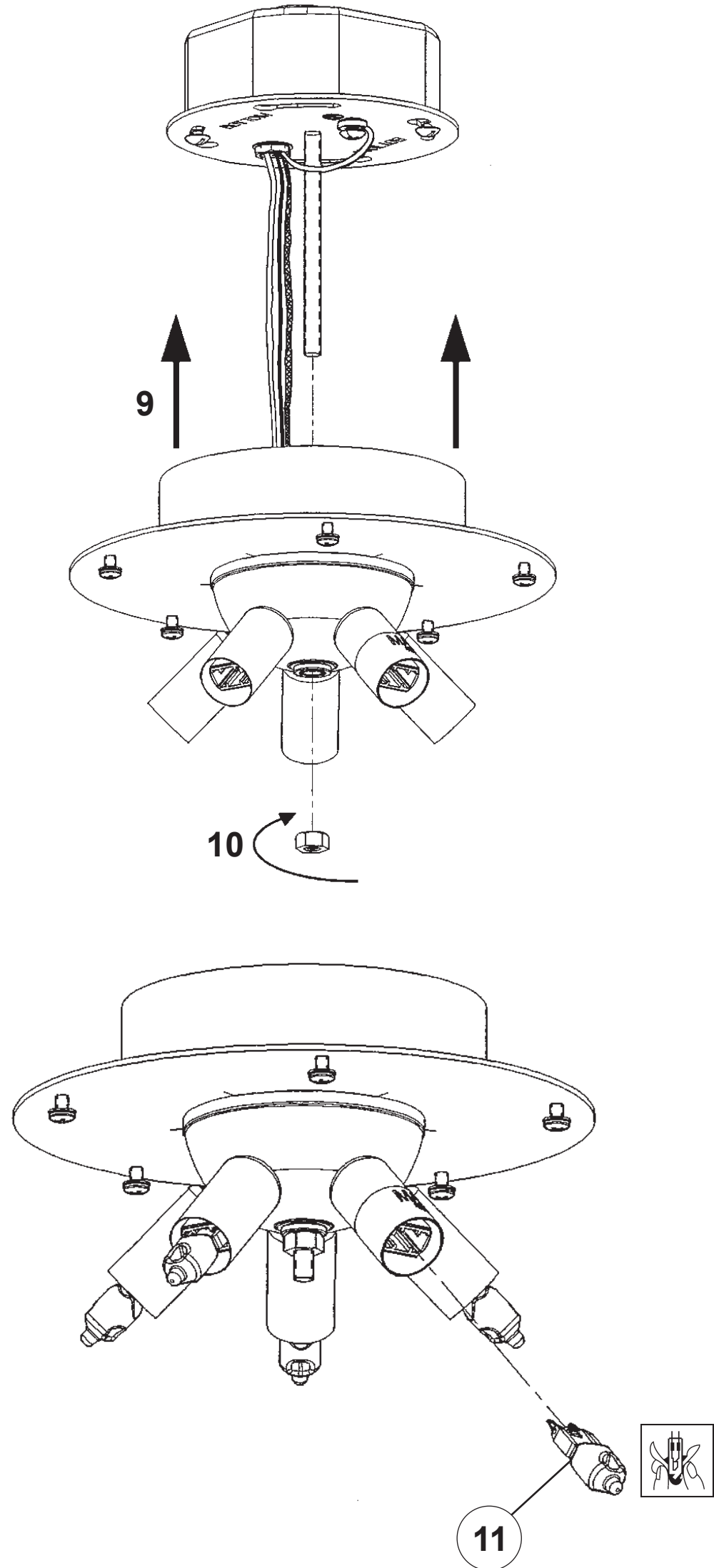


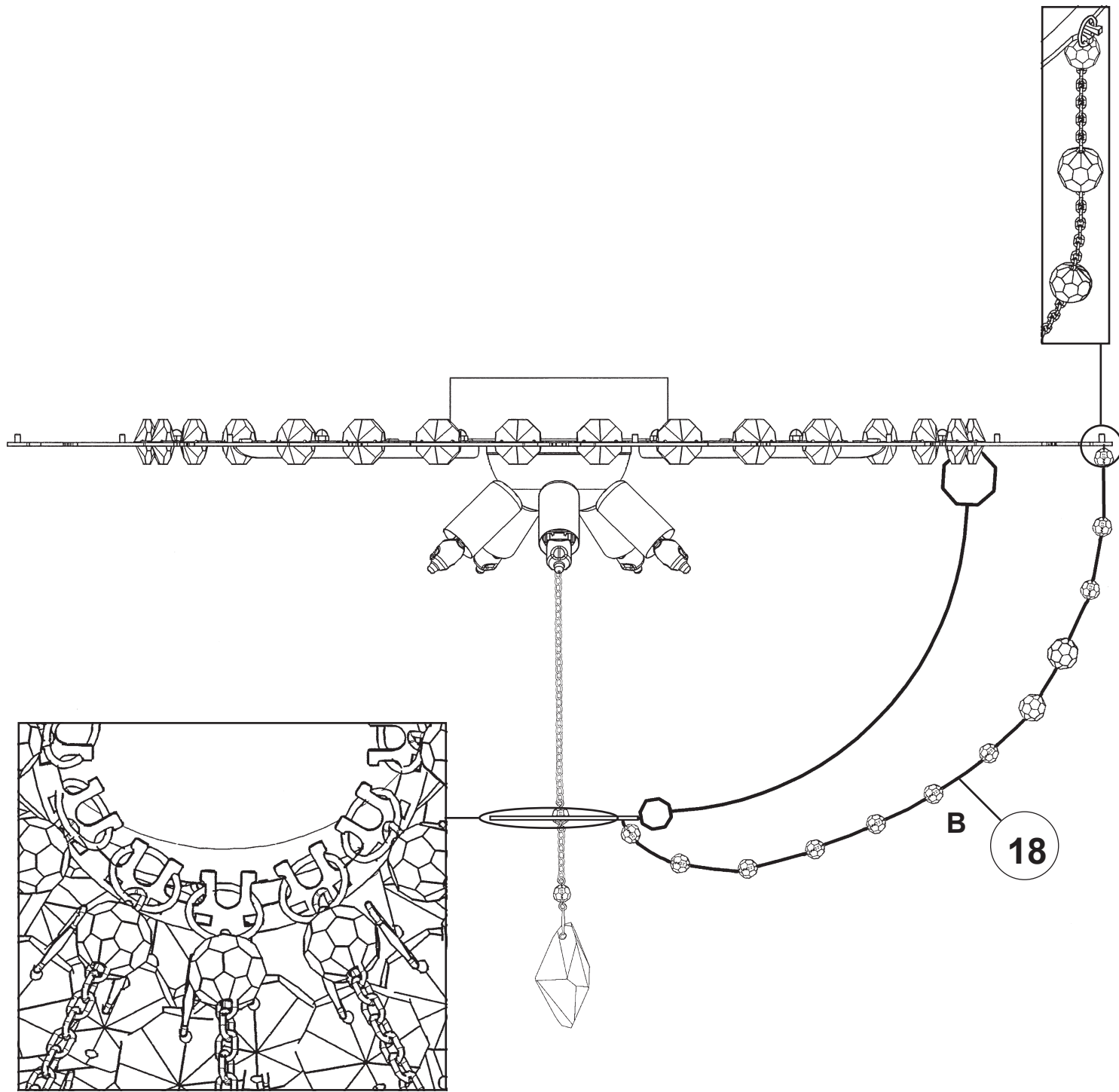
+



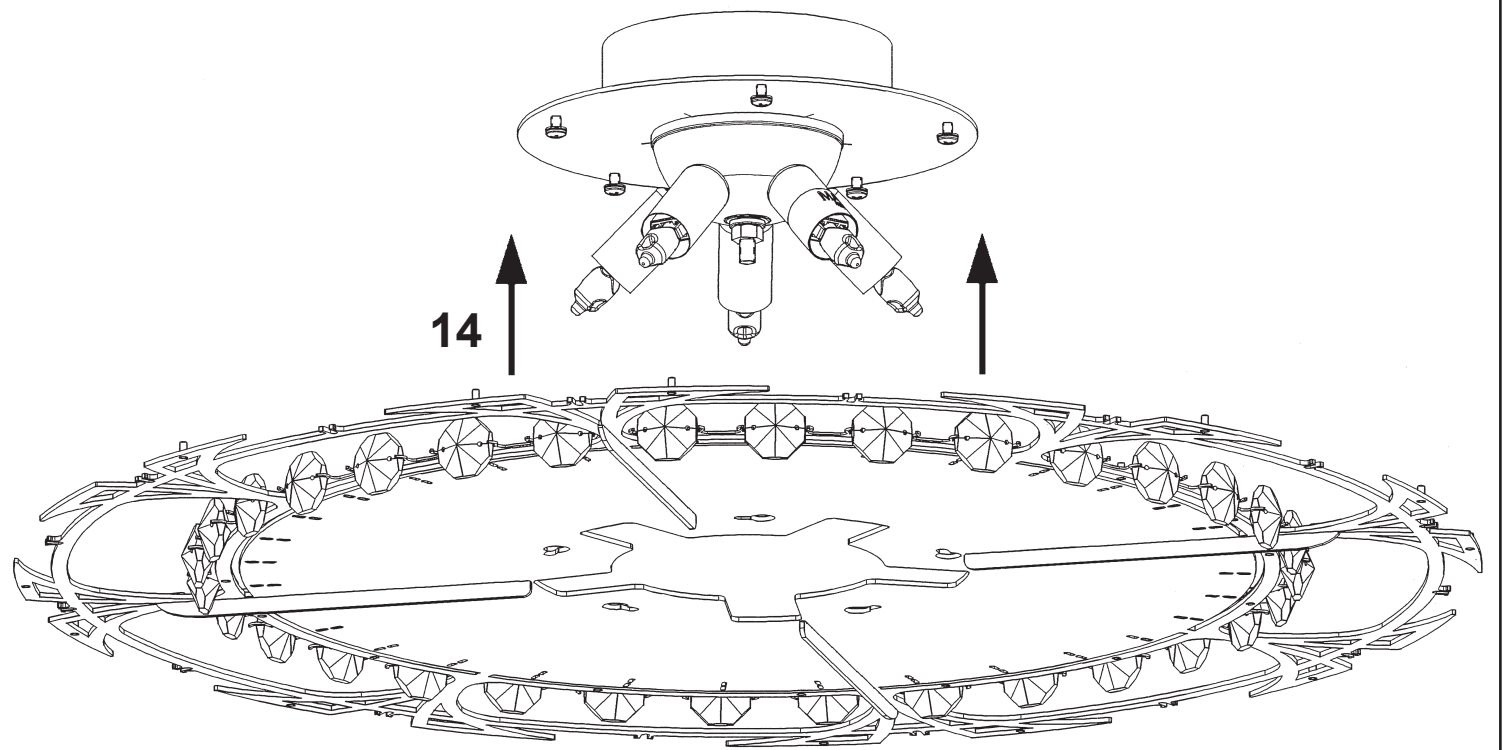
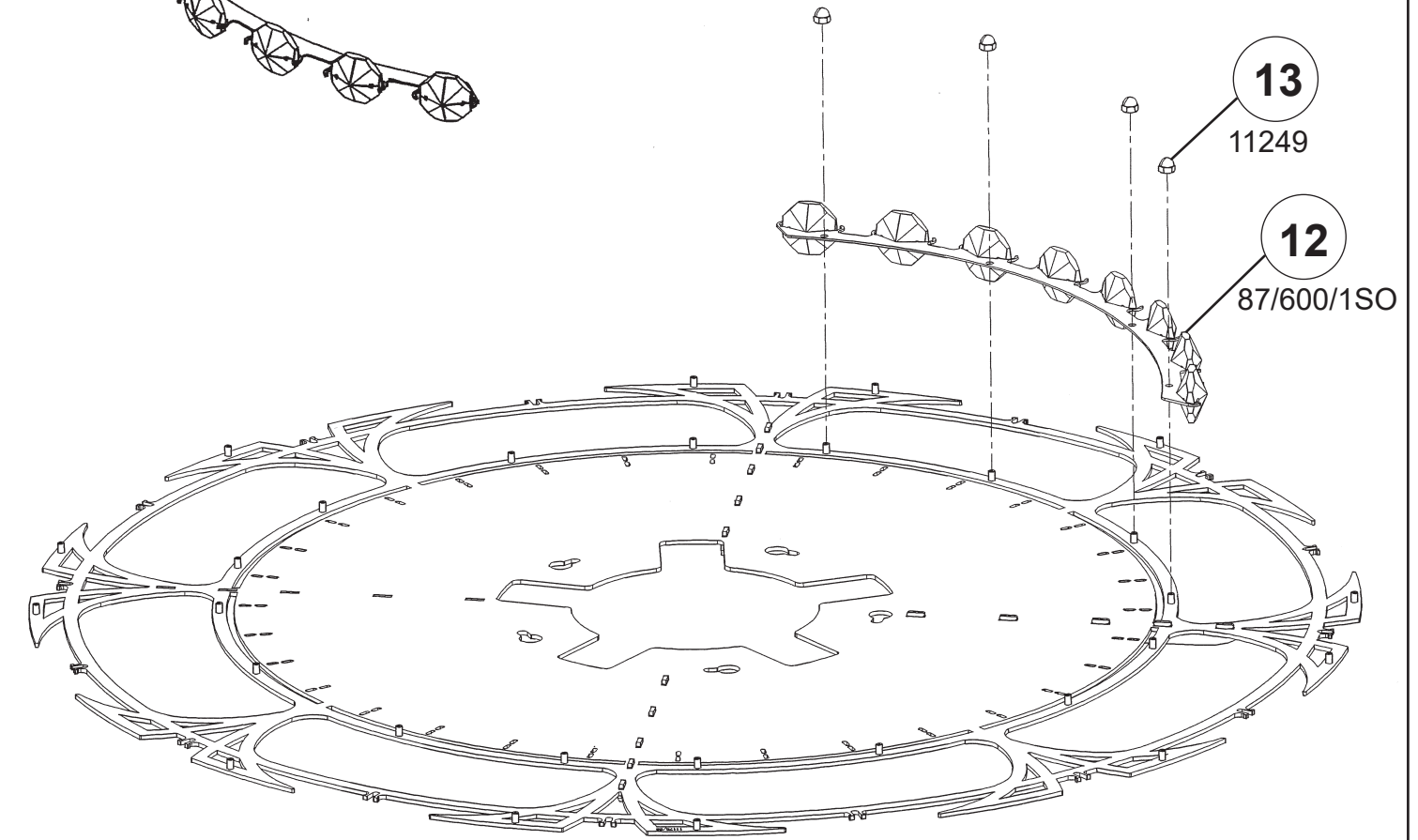
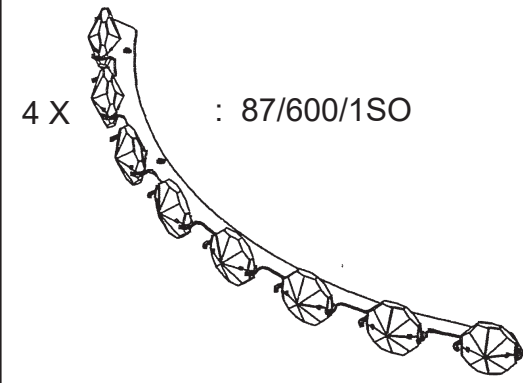


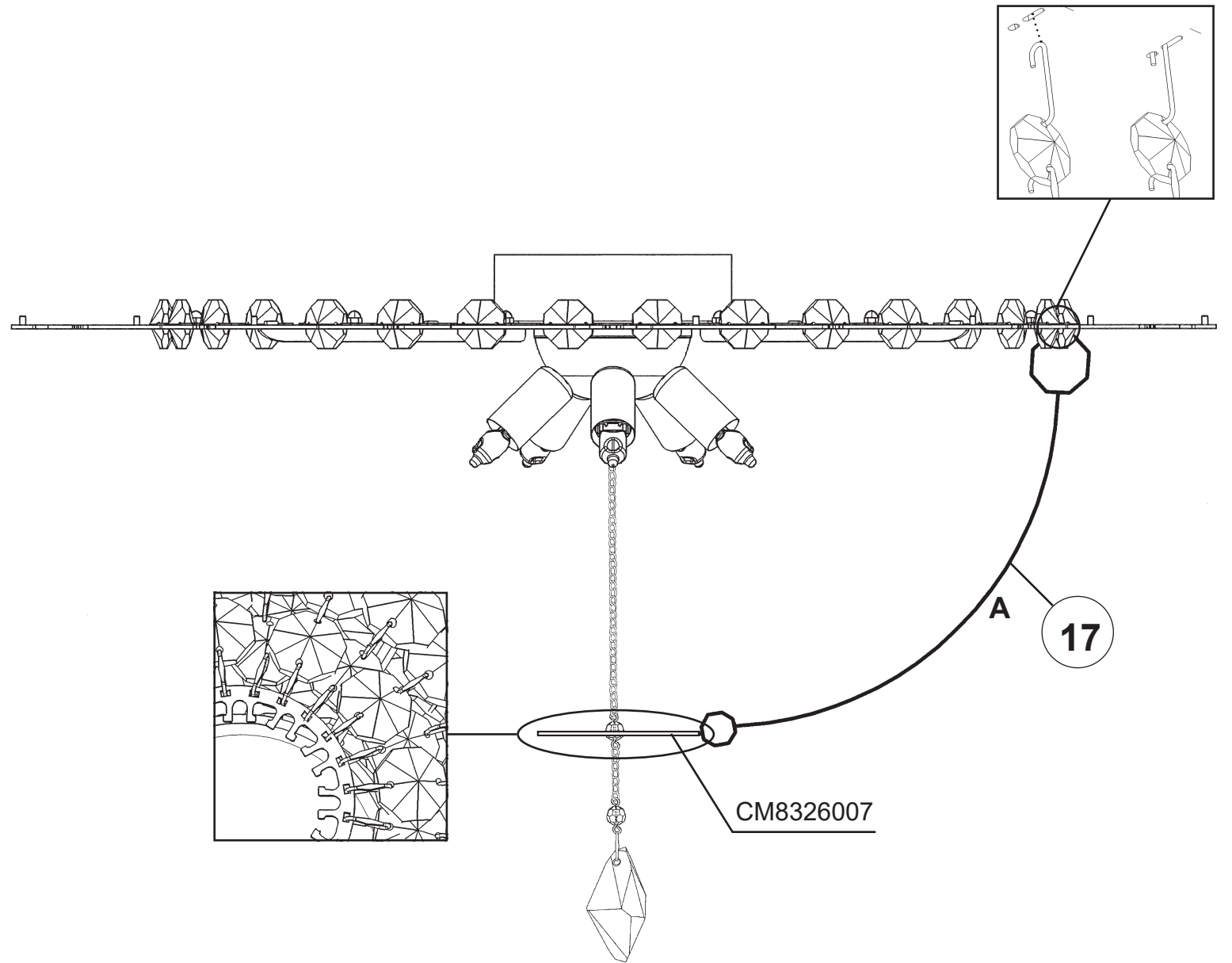
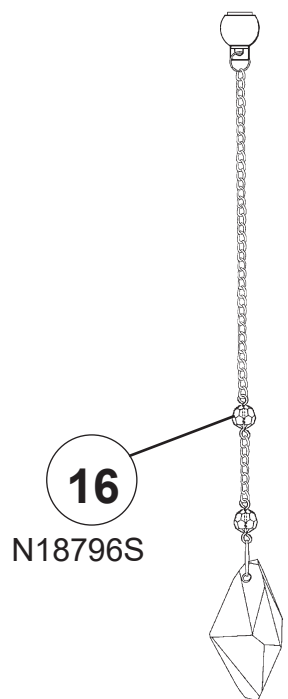
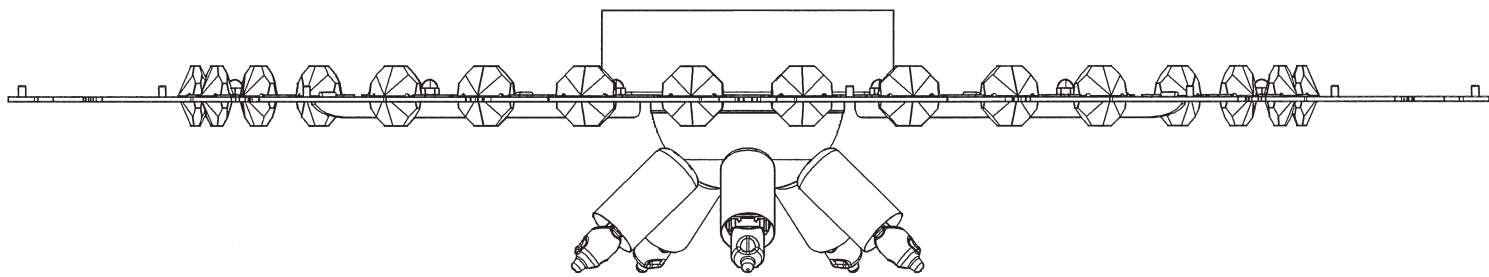
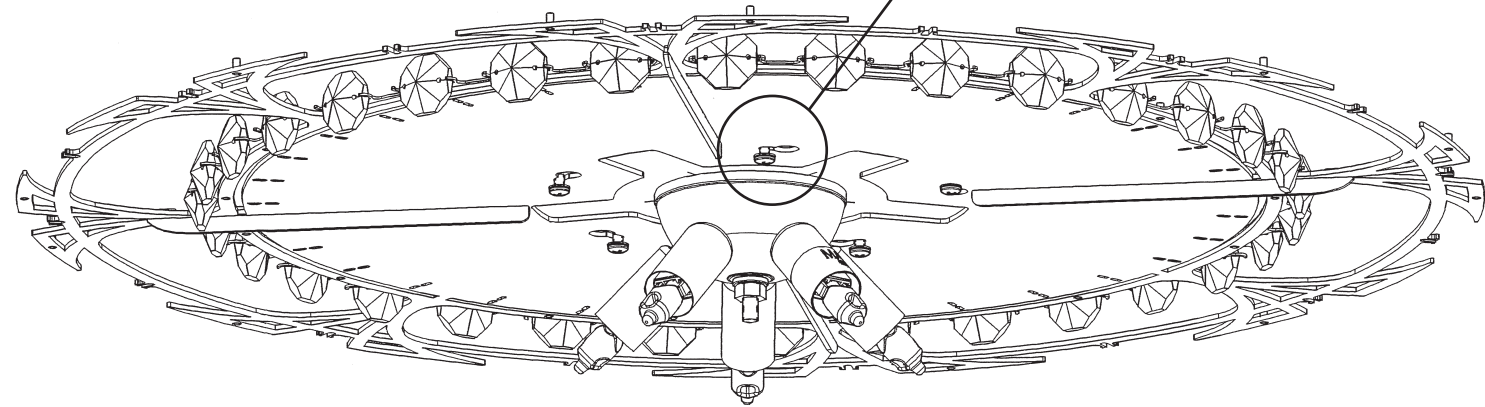
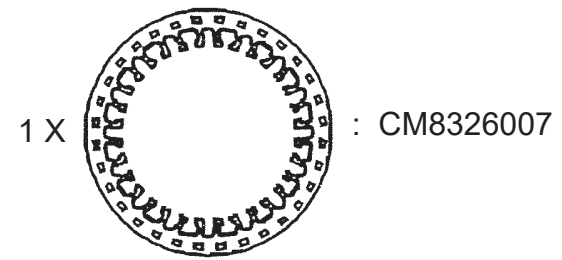
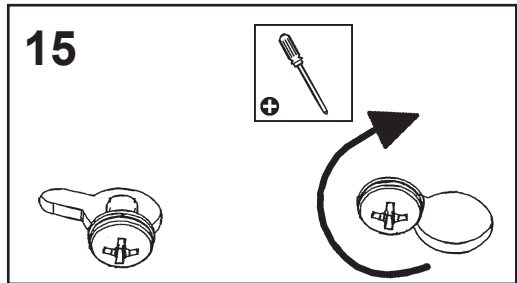
5 X  : G9 40W MAX 



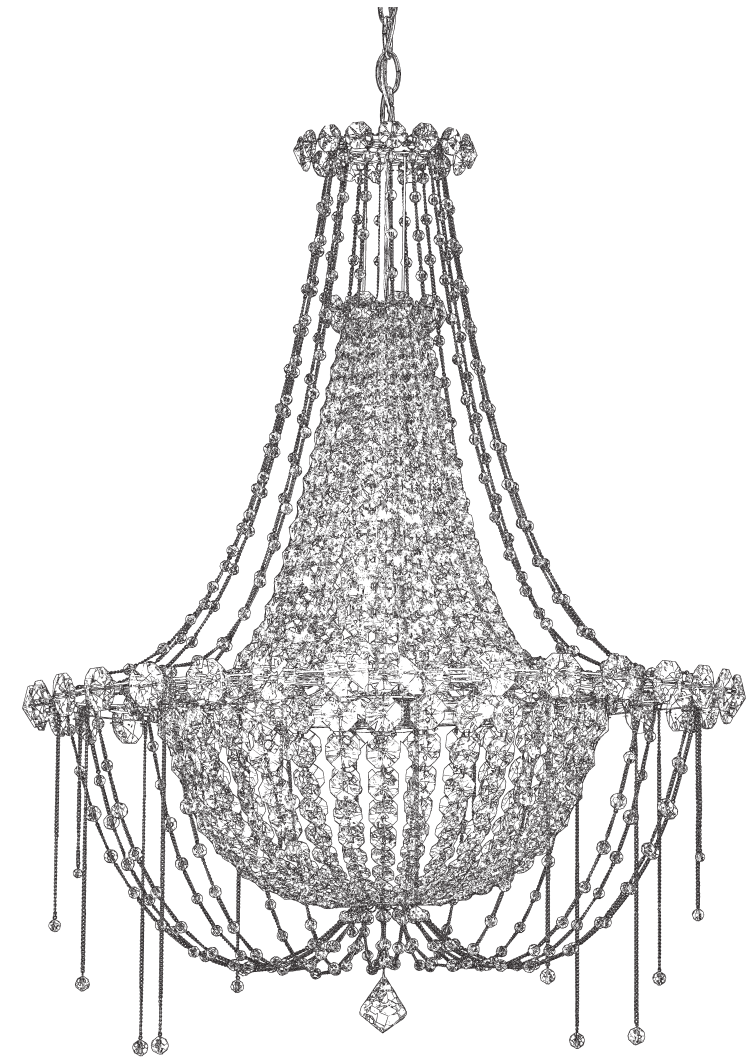


28 X  : 11249





CHRYSALITA CM8326N-__ __R













6 Lights
Diameter: 25"
Height: 32-1/2"
Hanging Weight: 21lbs.

THIS DESIGN IS THE PROPRIETARY
TRADE DRESS/TRADEMARK OF
W SCHONBEK LLC.

 **SCHONBEK** | 1870

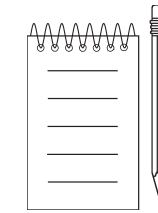
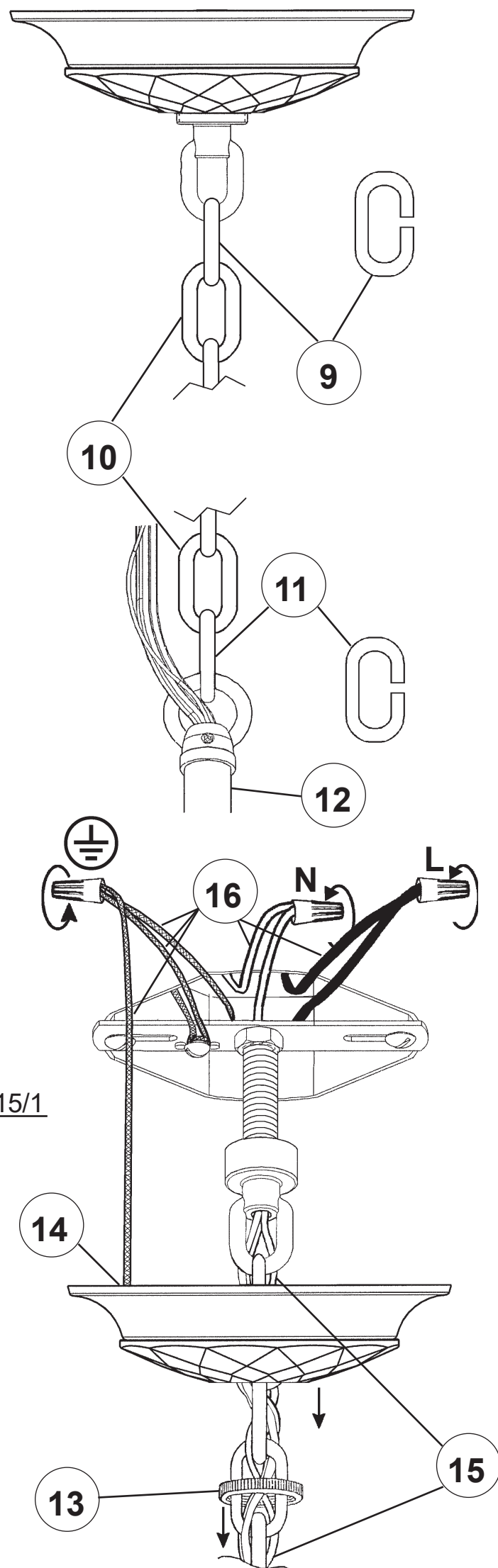
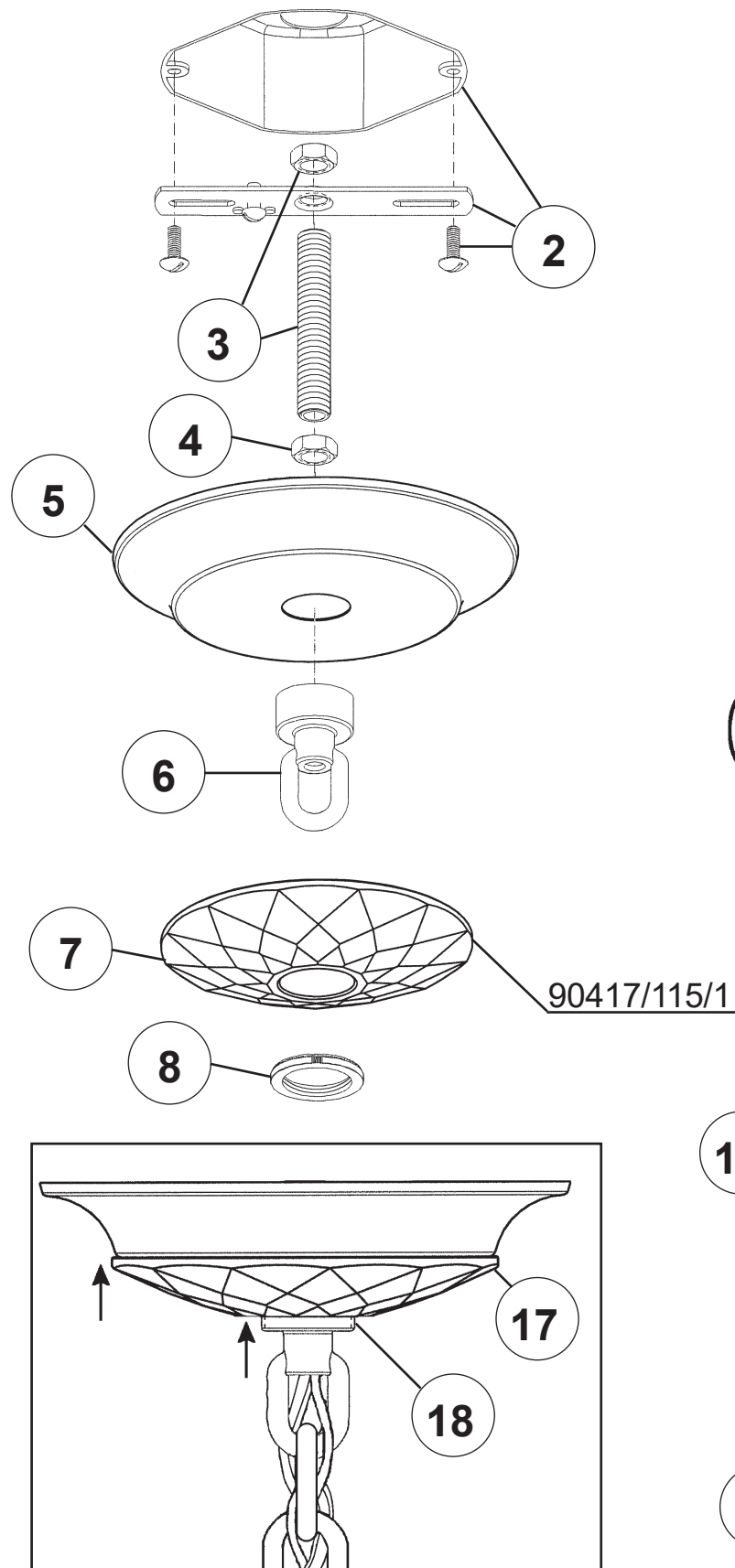
 **SCHONBEK** | 1870

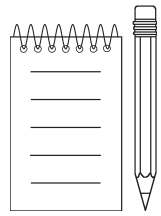
								
MAX <u>40</u> W	110-120 V							

1 **WARNING:**


Electrical Danger **Turn Power Off**

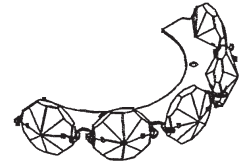
All electrical components must be installed by a licensed electrician in accordance with the National Electric Code and the appropriate local electrical codes.



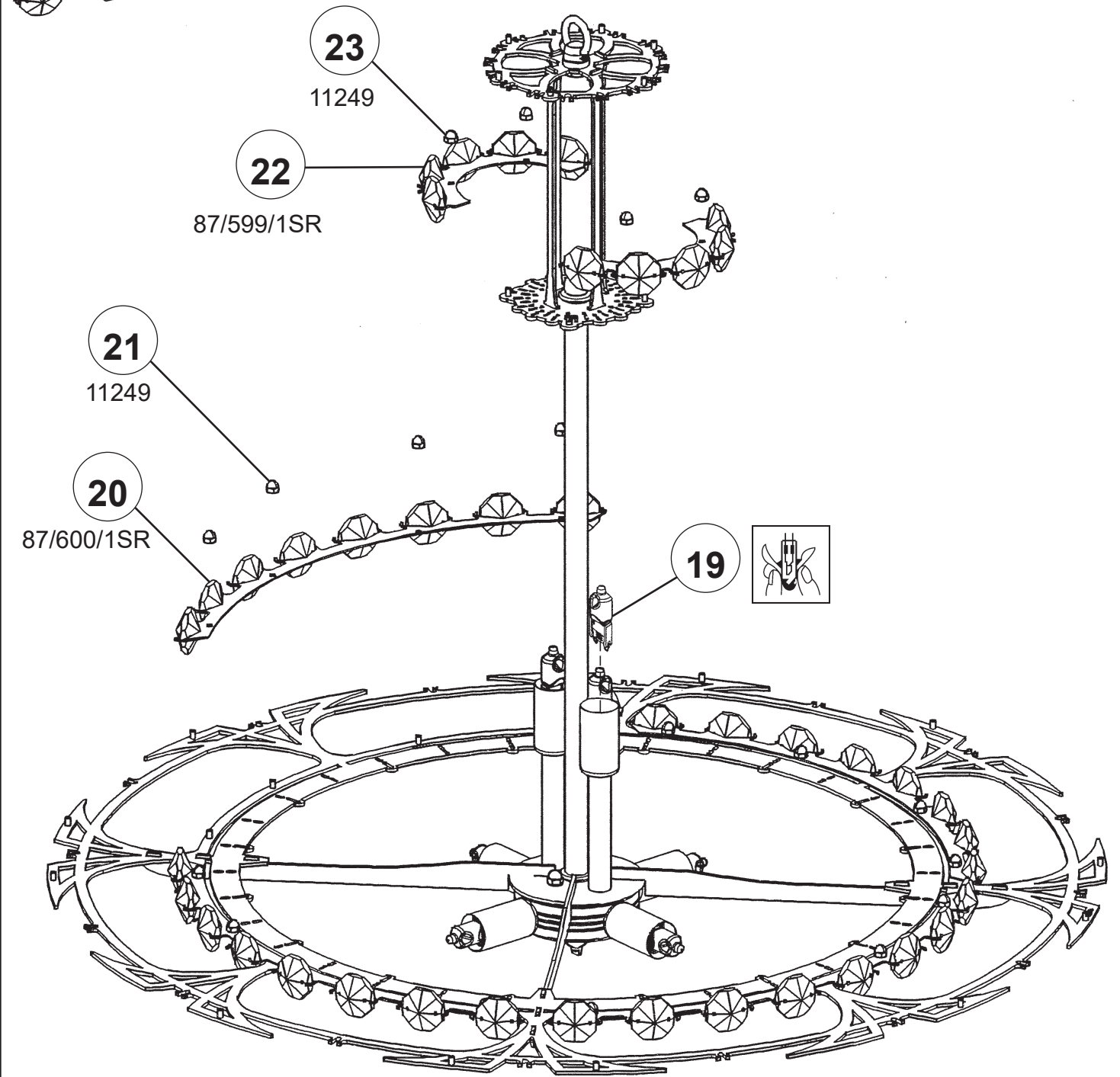


6 X  : G9 40W MAX 

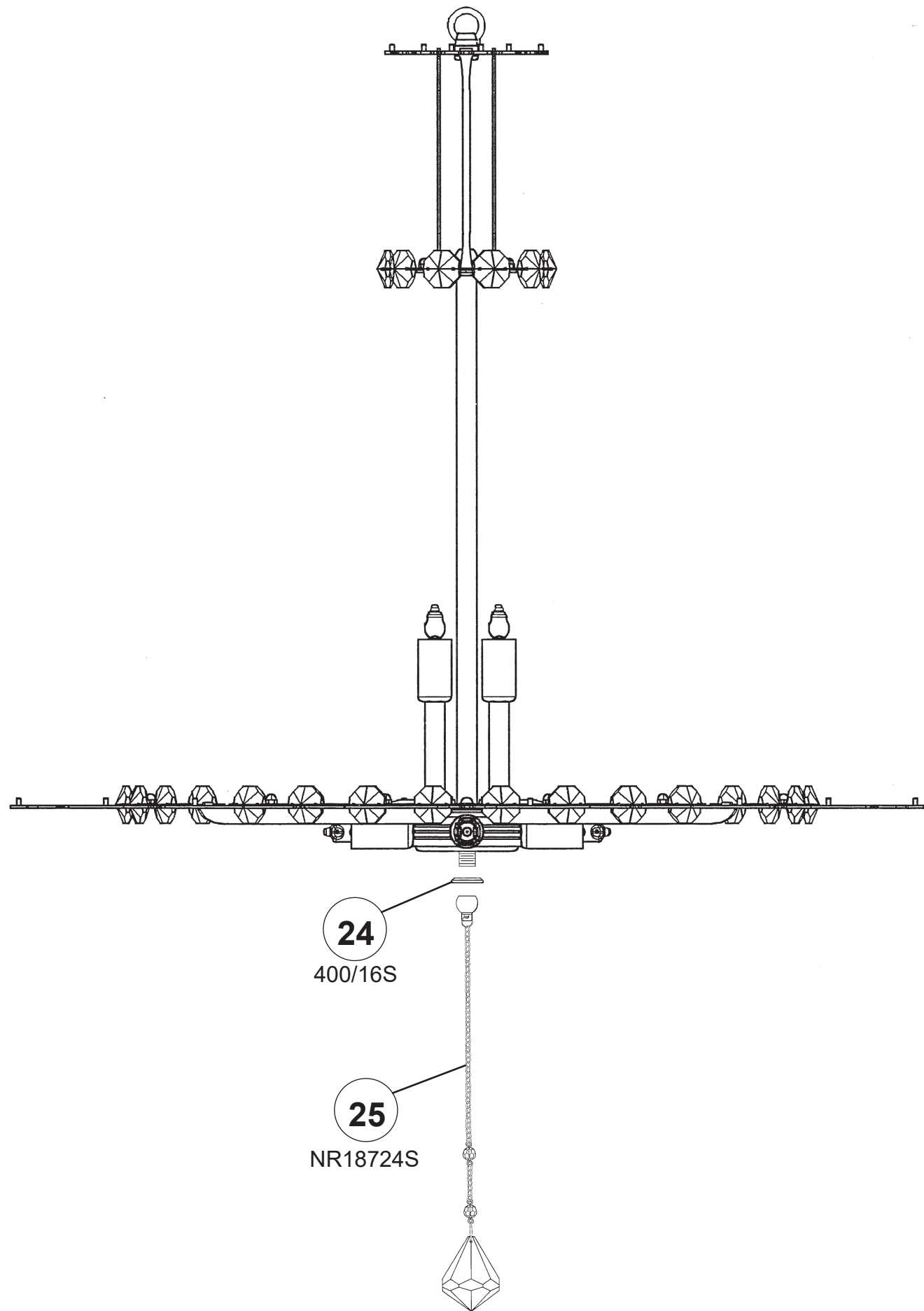
38 X  : 11249

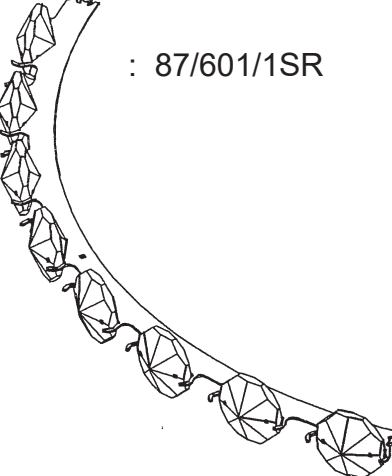
2 X  : 87/599/1SR

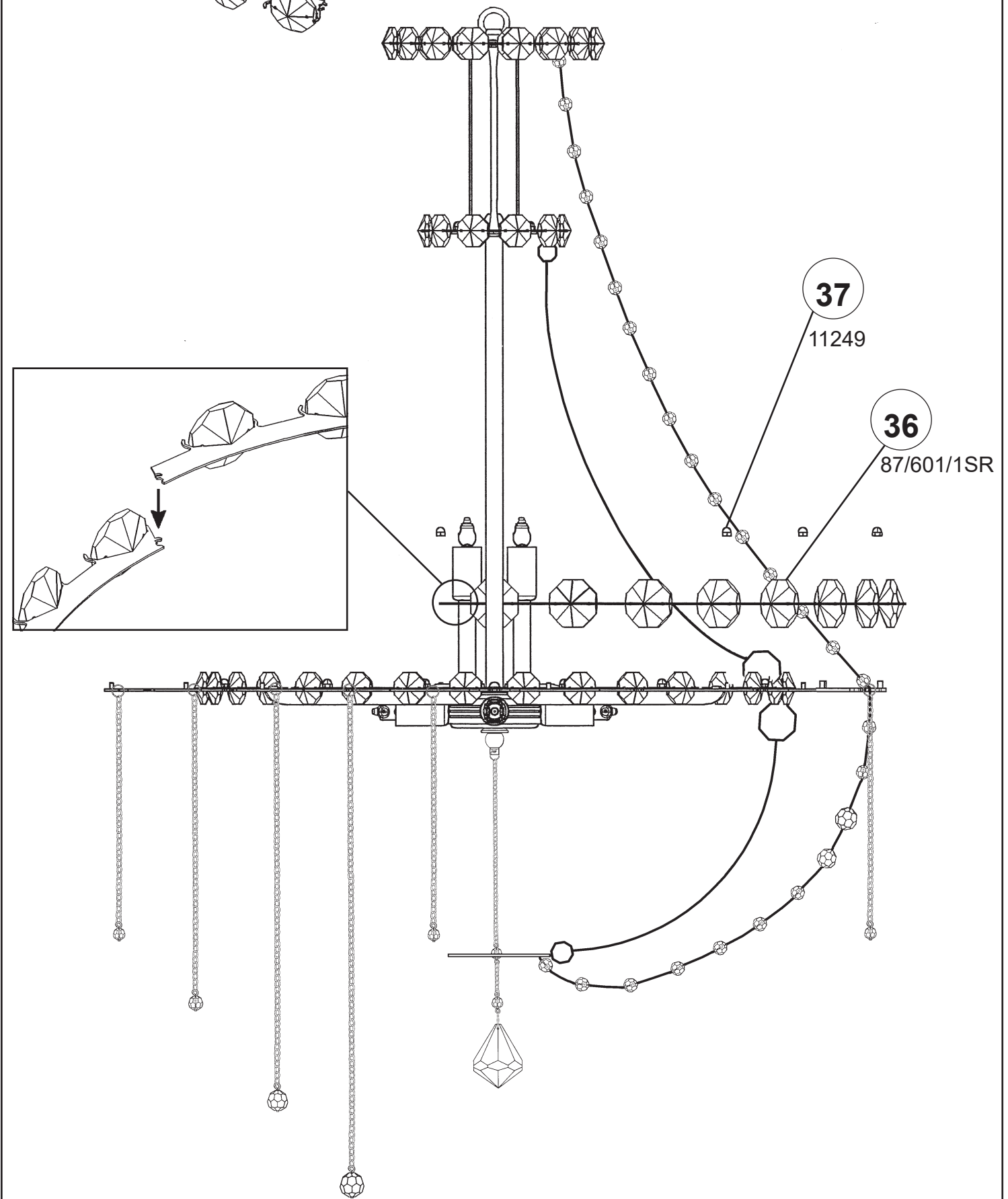
4 X  : 87/600/1SR

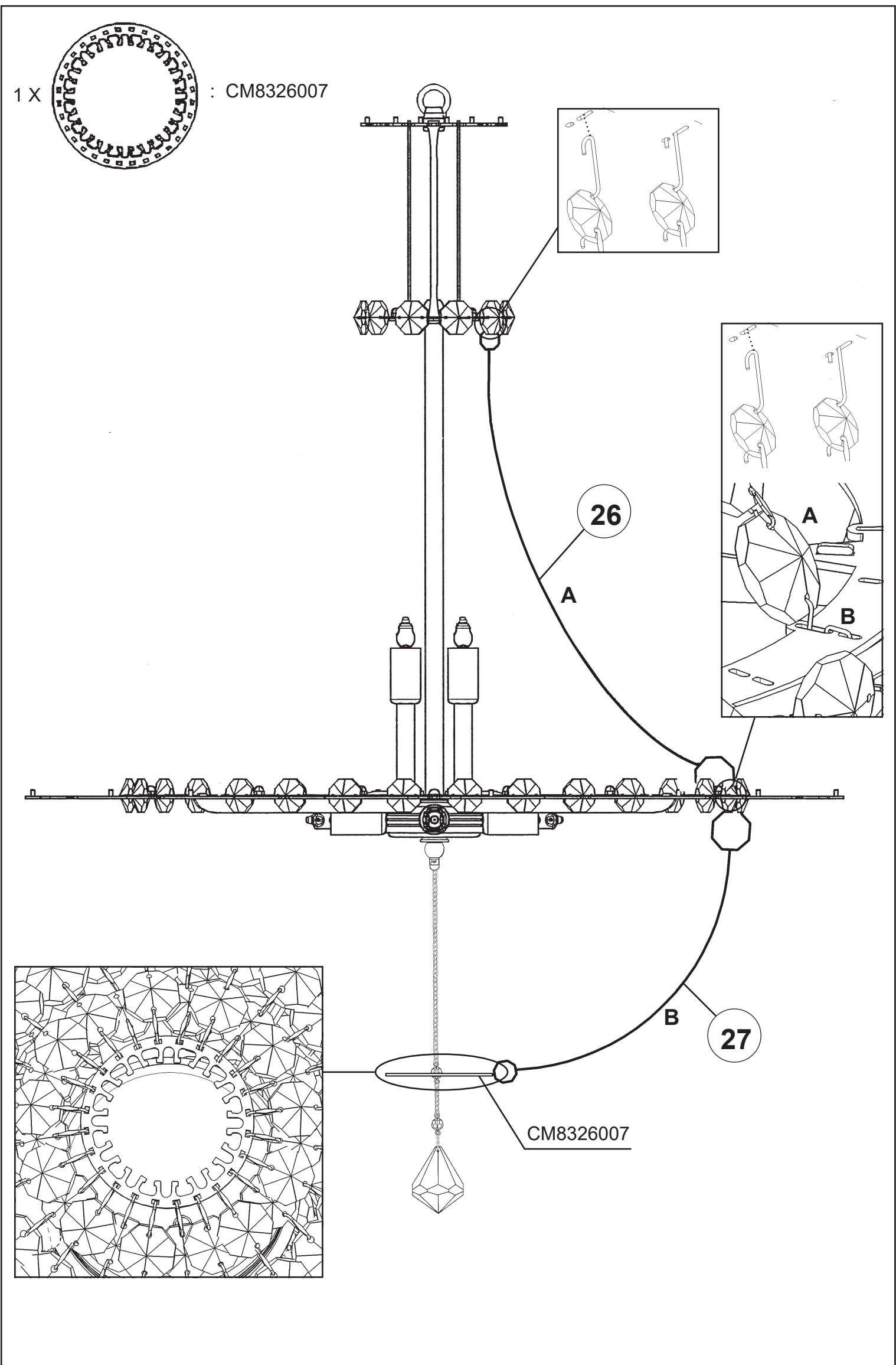
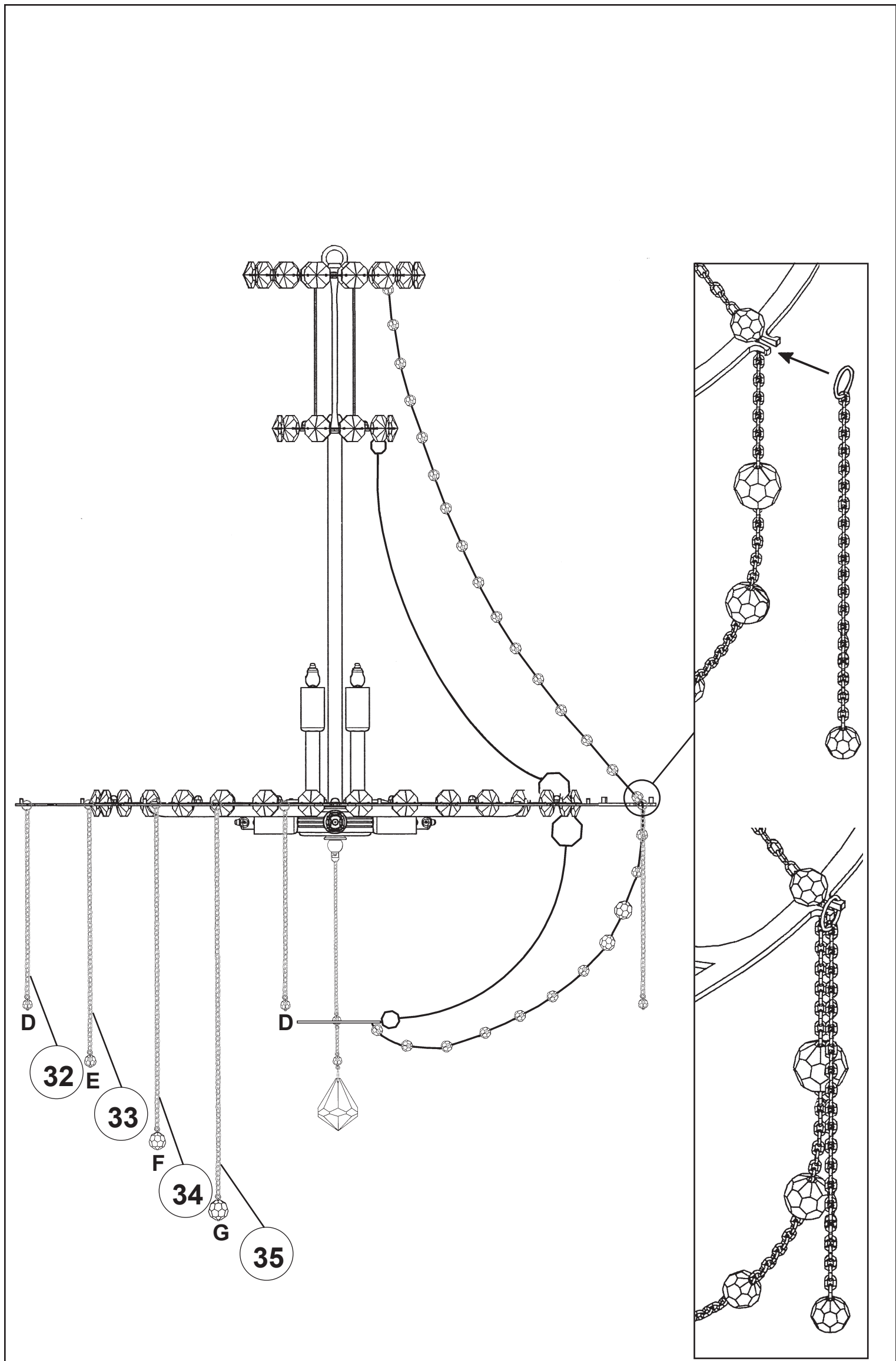


1 X  : 400/16S



4 X  : 87/601/1SR





2 X

: 87/598/1SR

