

 **SCHONBEK** | 1870










CIRCULUS
DR2412N- __ _ O

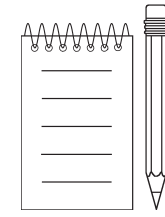
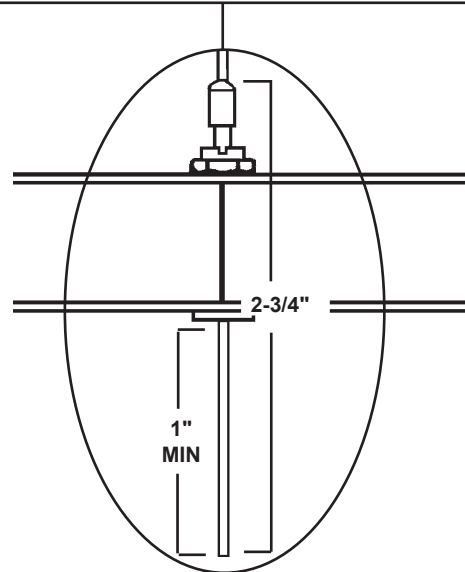
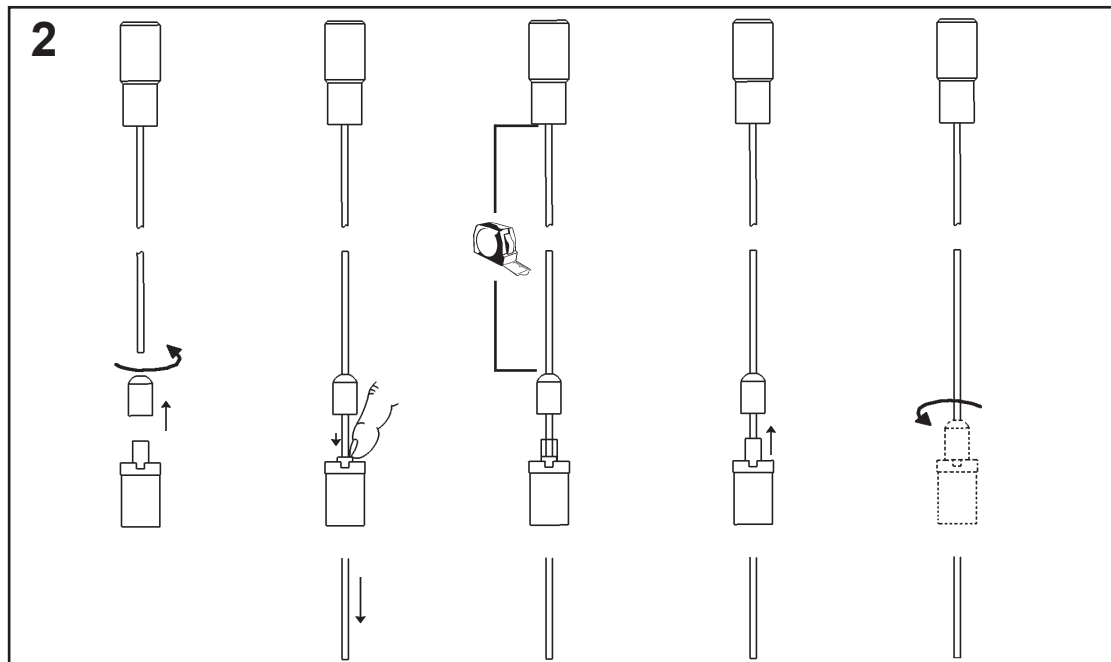
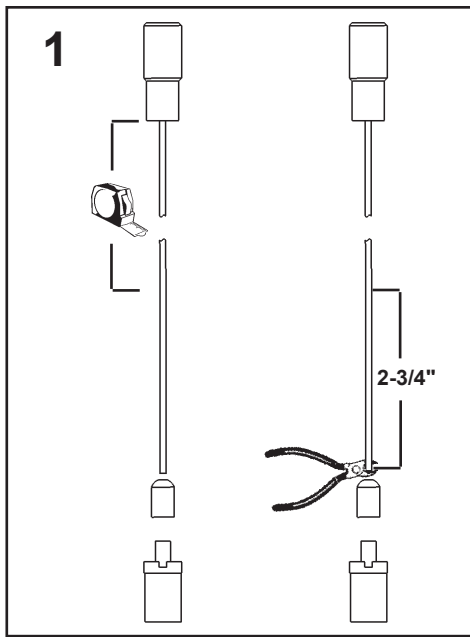


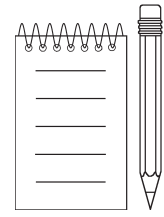
THIS DESIGN IS THE PROPRIETARY
TRADE DRESS/TRADEMARK OF
W SCHONBEK LLC.

6 Lights
Diameter: 24"
Height: 45"
Hanging Weight: 44lbs.

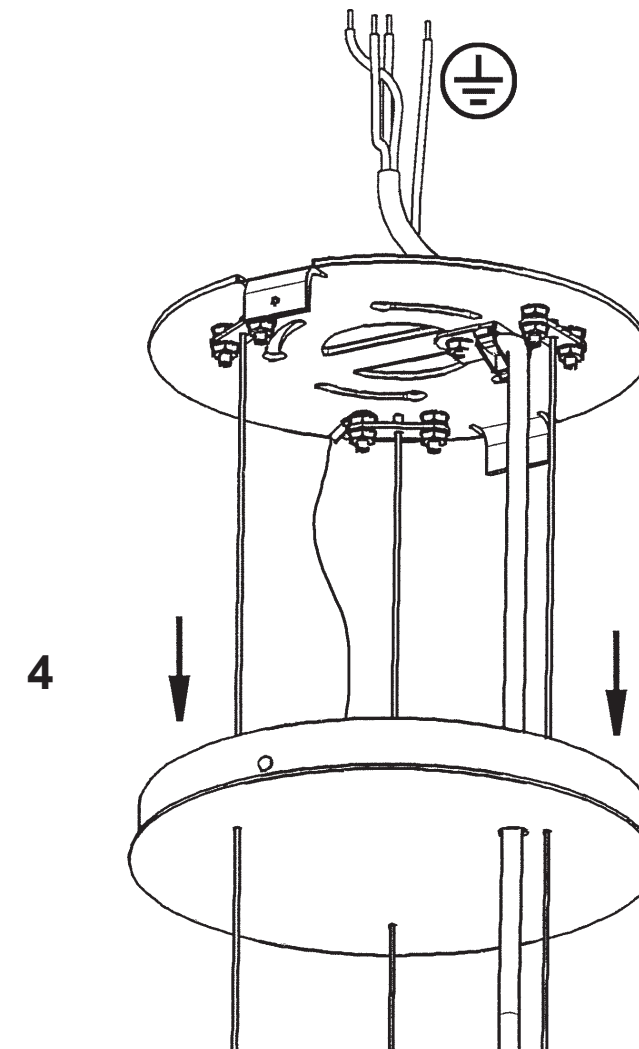
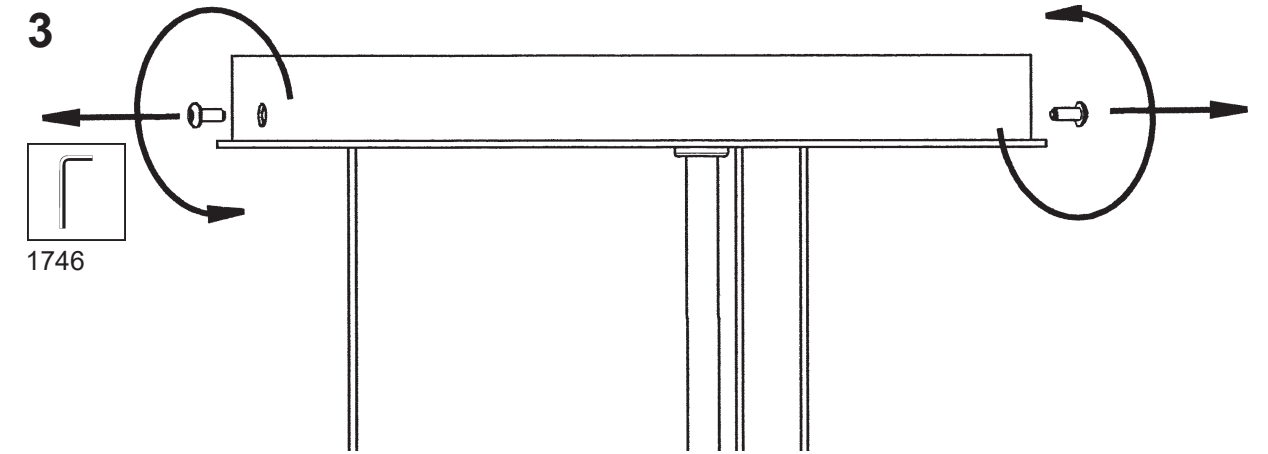
 **SCHONBEK** | 1870

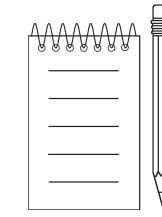
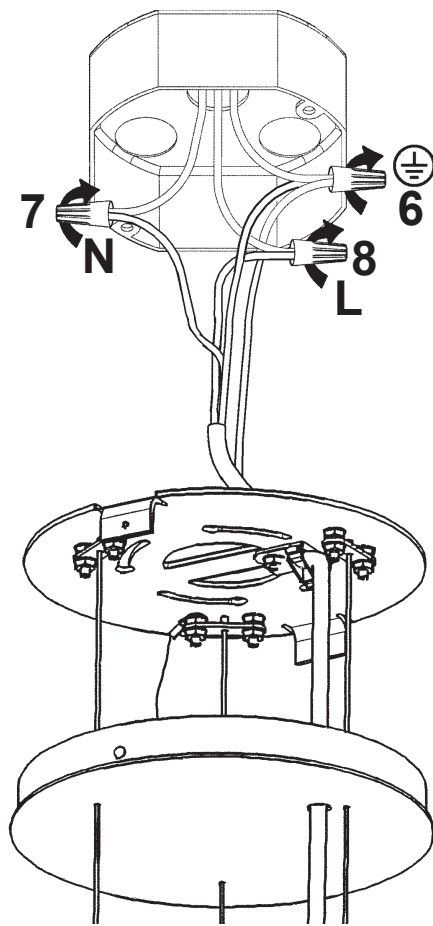
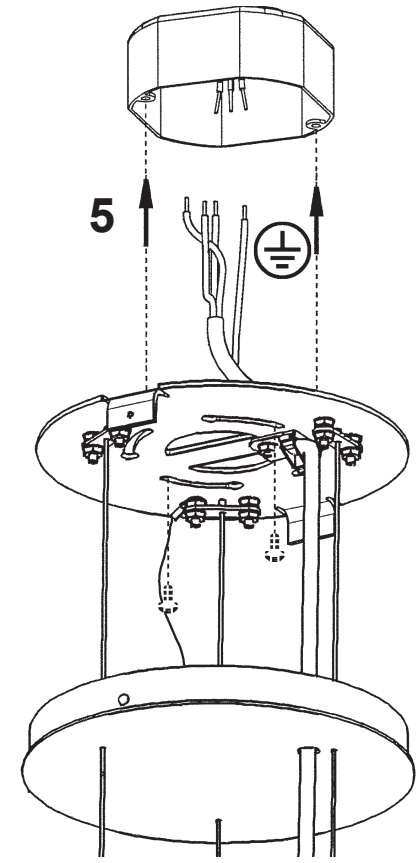
			S					
MAX 50 W	110-120 V							

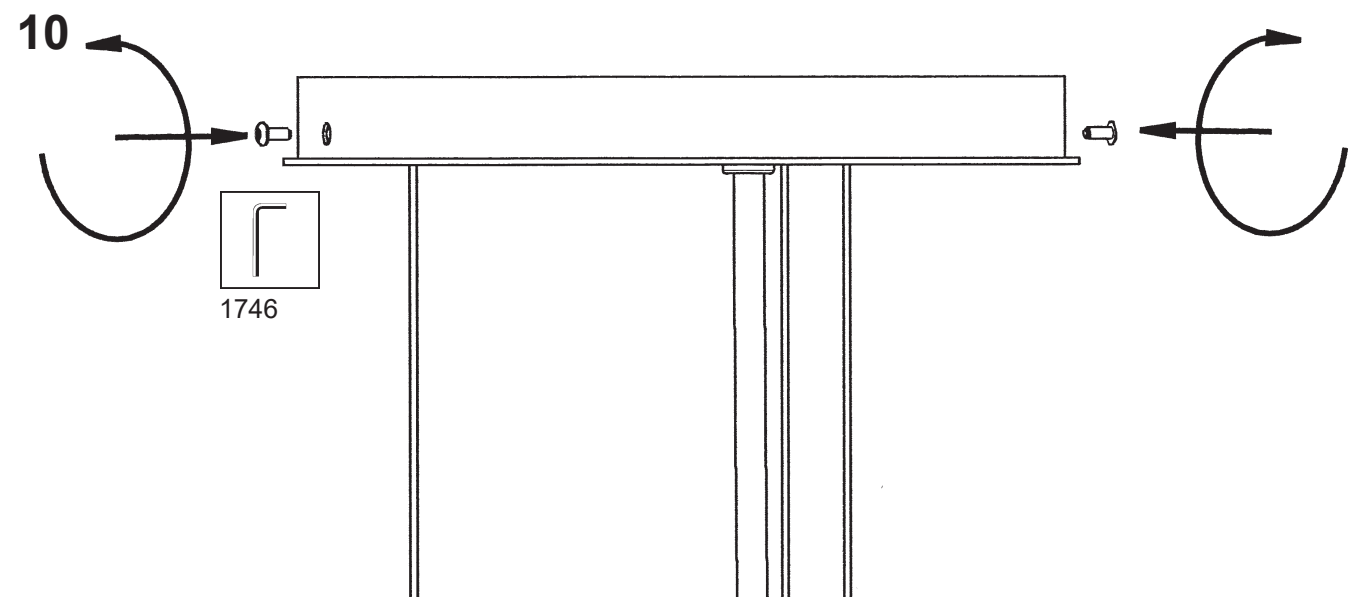
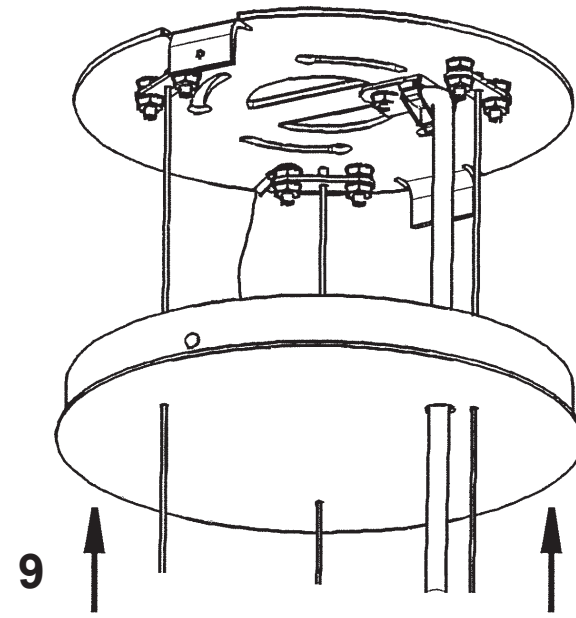
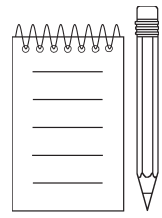


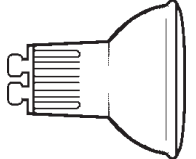



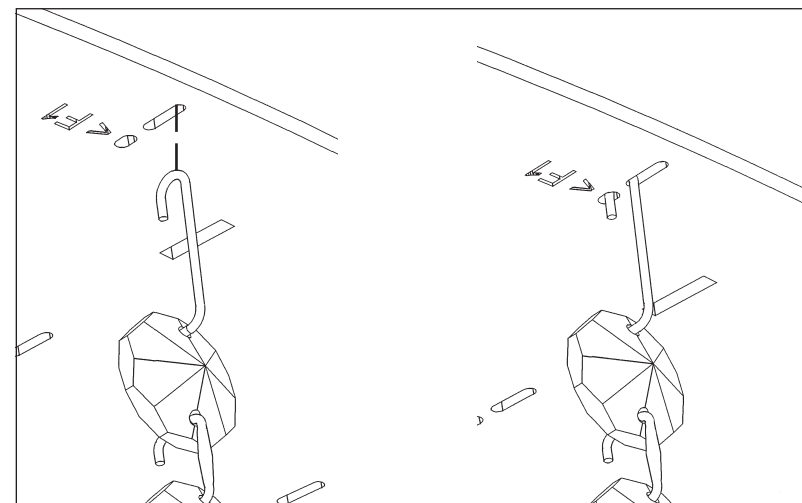
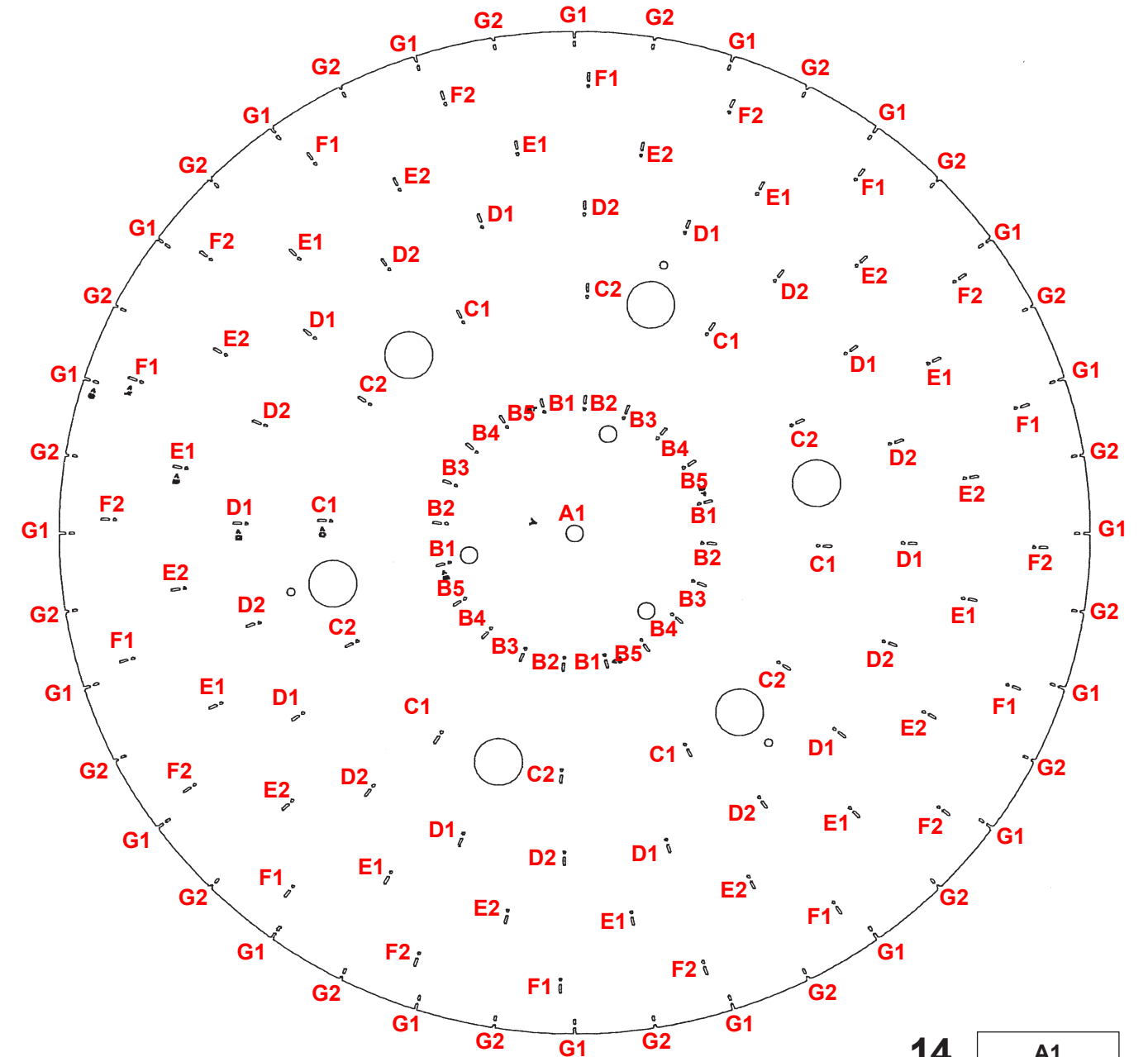
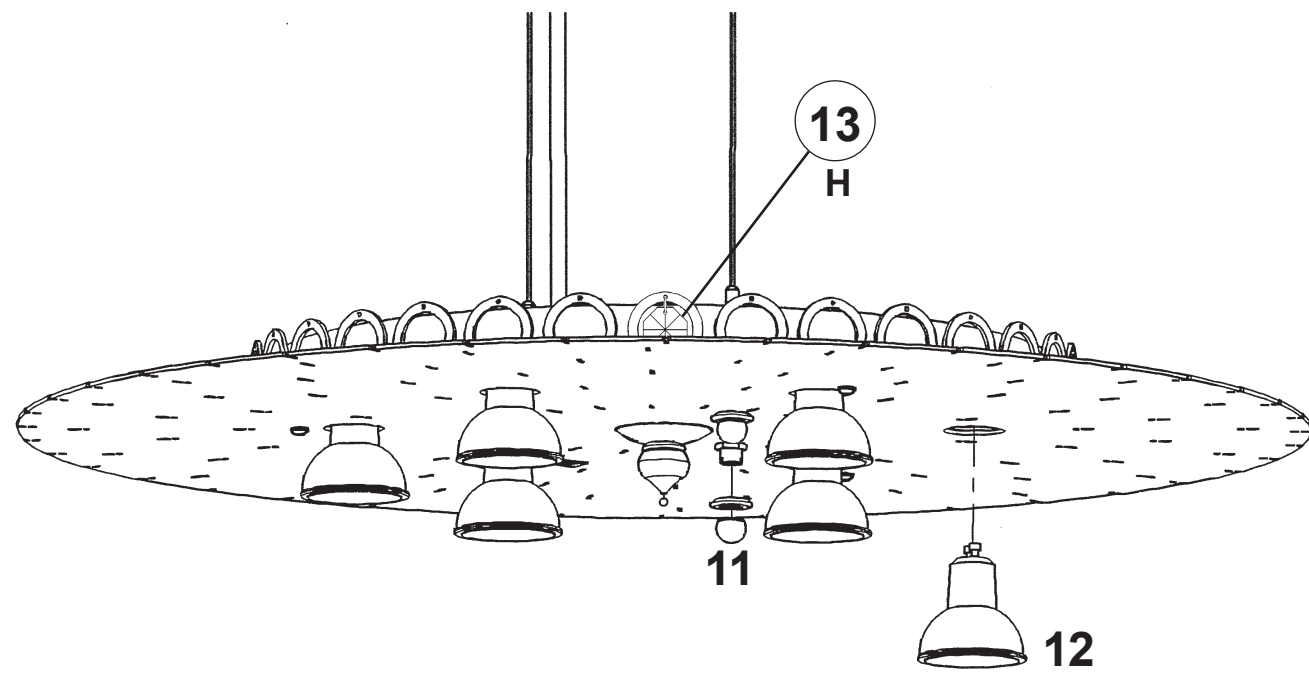
1 X  : 1746







6 X  : GU10 50W MAX 



- 14** A1
- 15** B1 - B5
- 16** C1 - C2
- 17** D1 - D2
- 18** E1 - E2
- 19** F1 - F2
- 20** G1 - G2

After hanging all trim, remove labels from crystals. If residue remains, wipe off crystal with a soft, dry cloth.