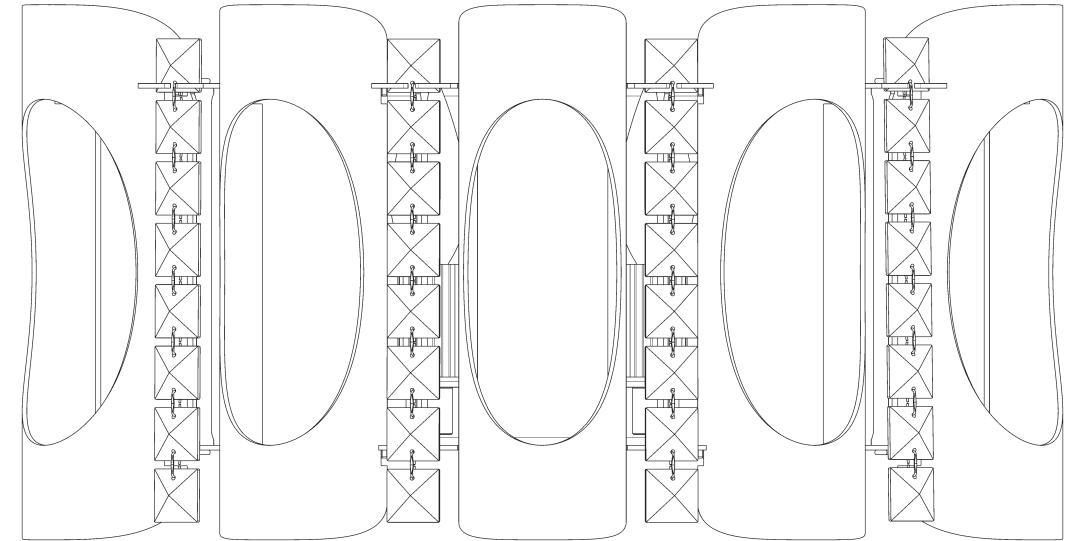


 **SCHONBEK** | 1870

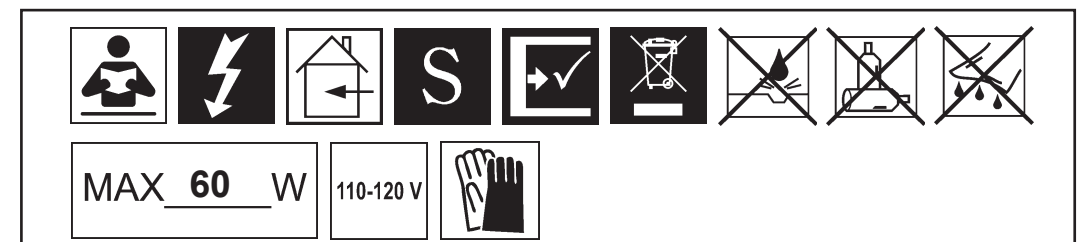
TWILIGHT MR1002N-__ __O

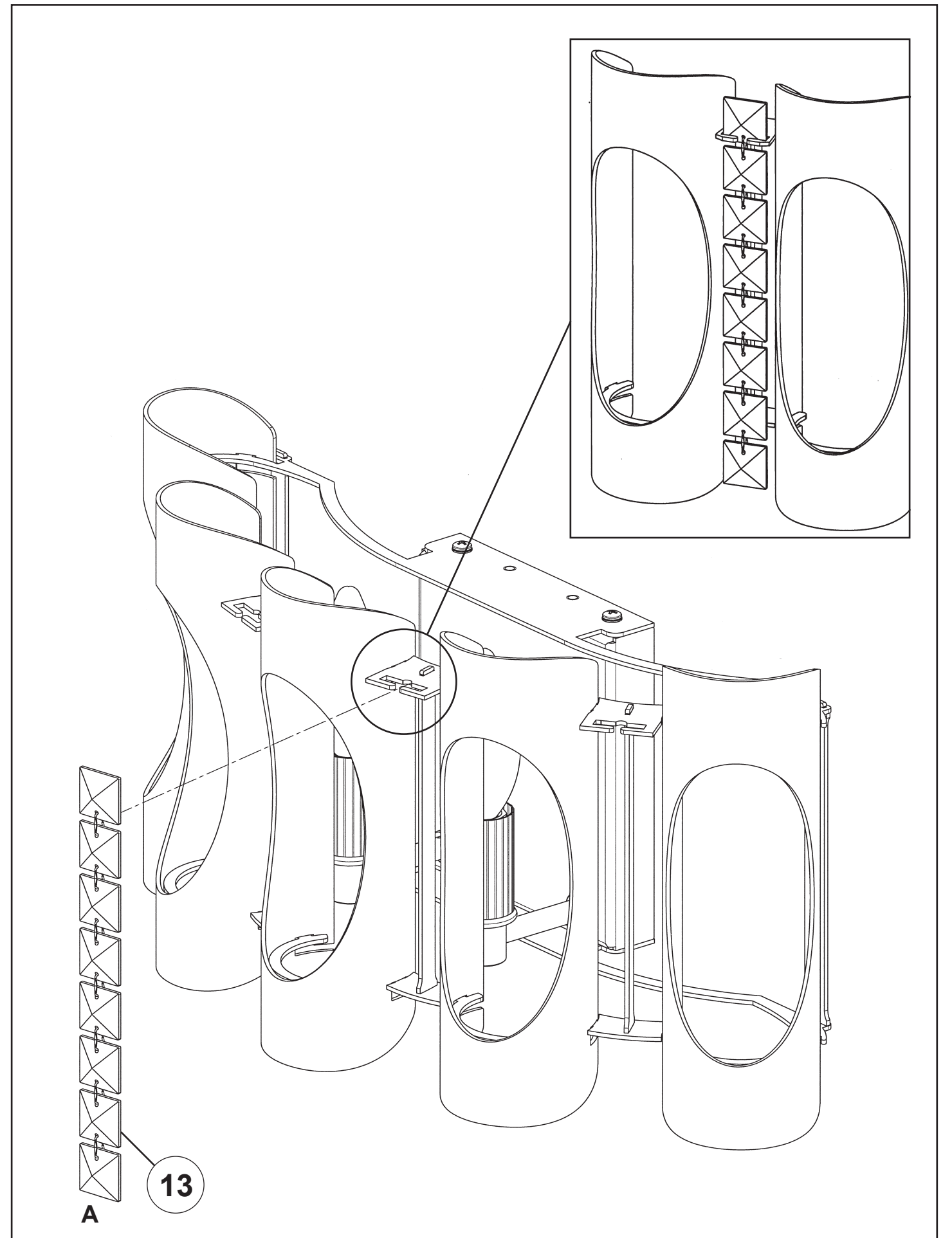
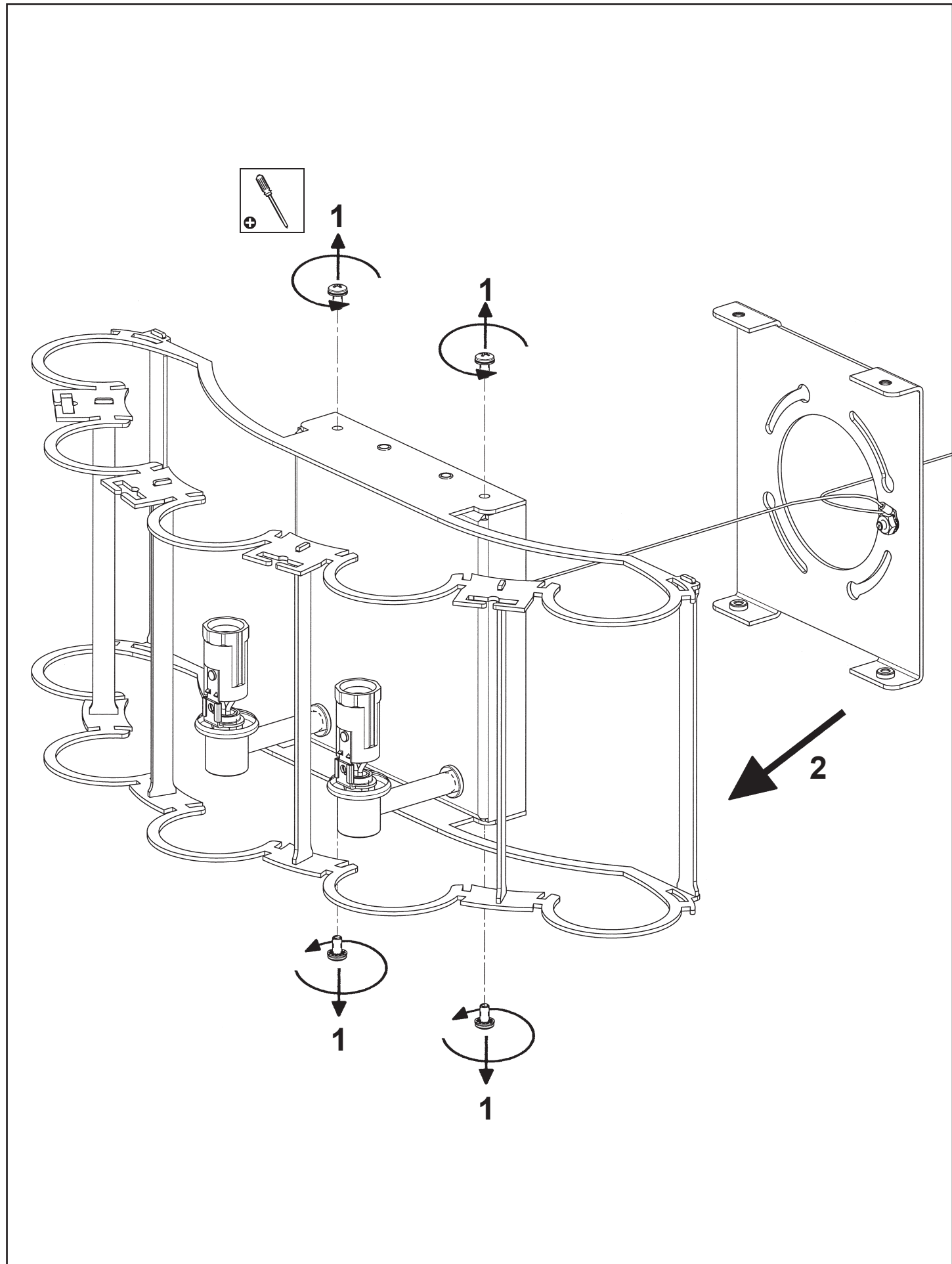


THIS DESIGN IS THE PROPRIETARY
TRADE DRESS/TRADEMARK OF
W SCHONBEK LLC.

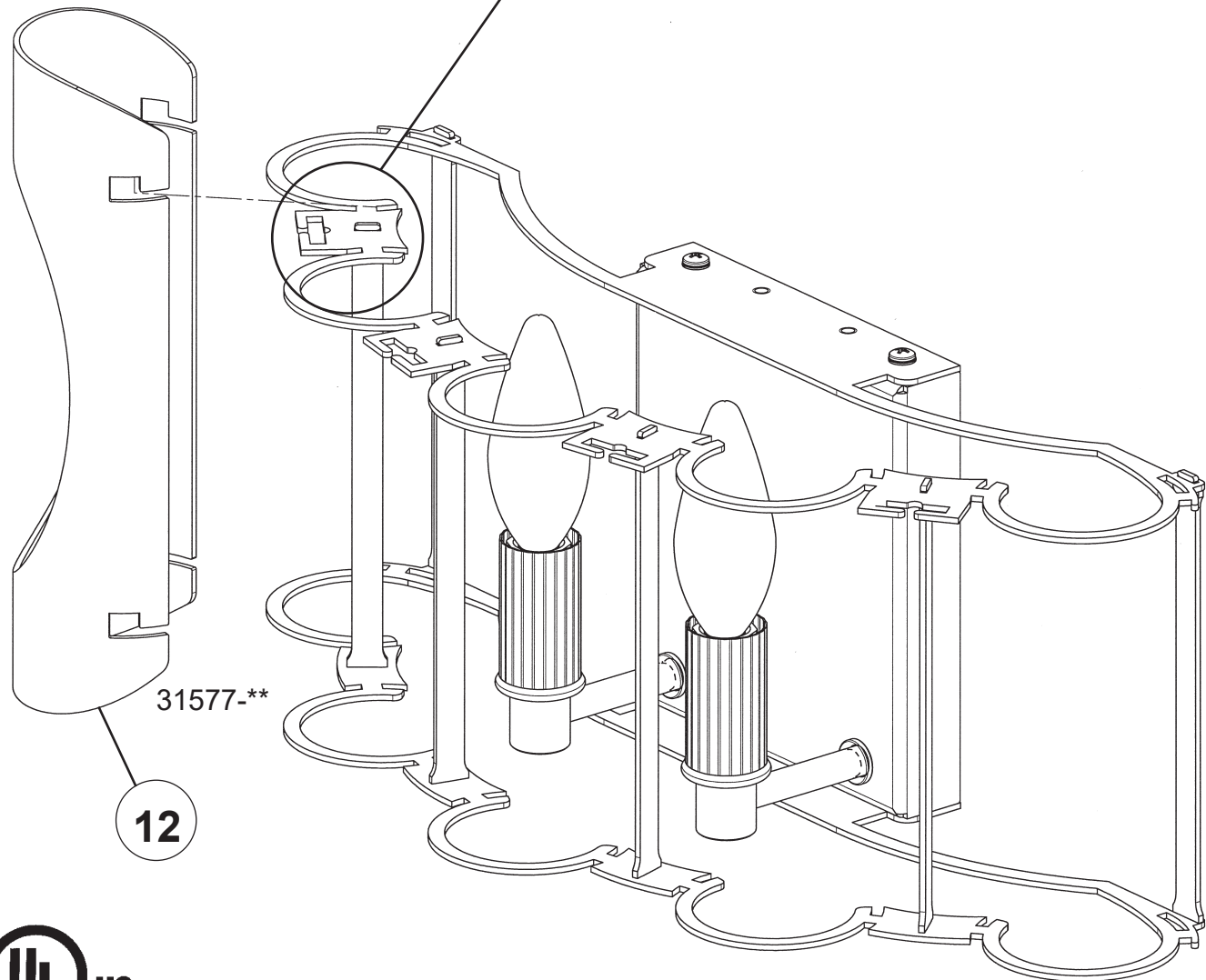
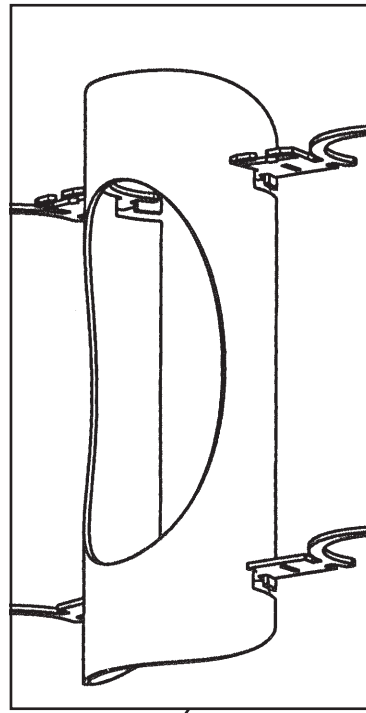
2 Lights
Length: 16-1/2"
Height: 8-1/2"
Extension: 6"
Hanging Weight: 6lbs.

 **SCHONBEK** | 1870

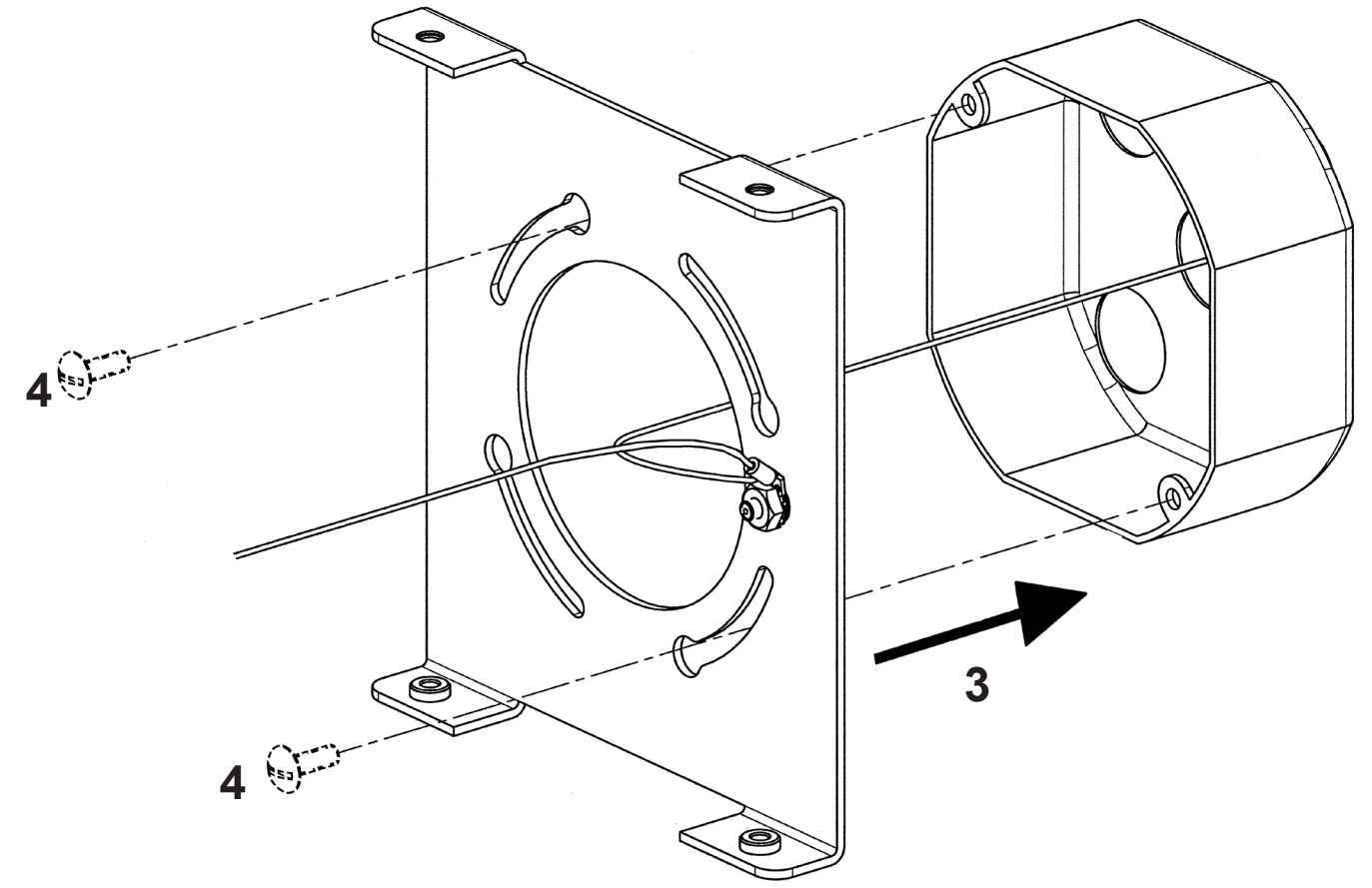


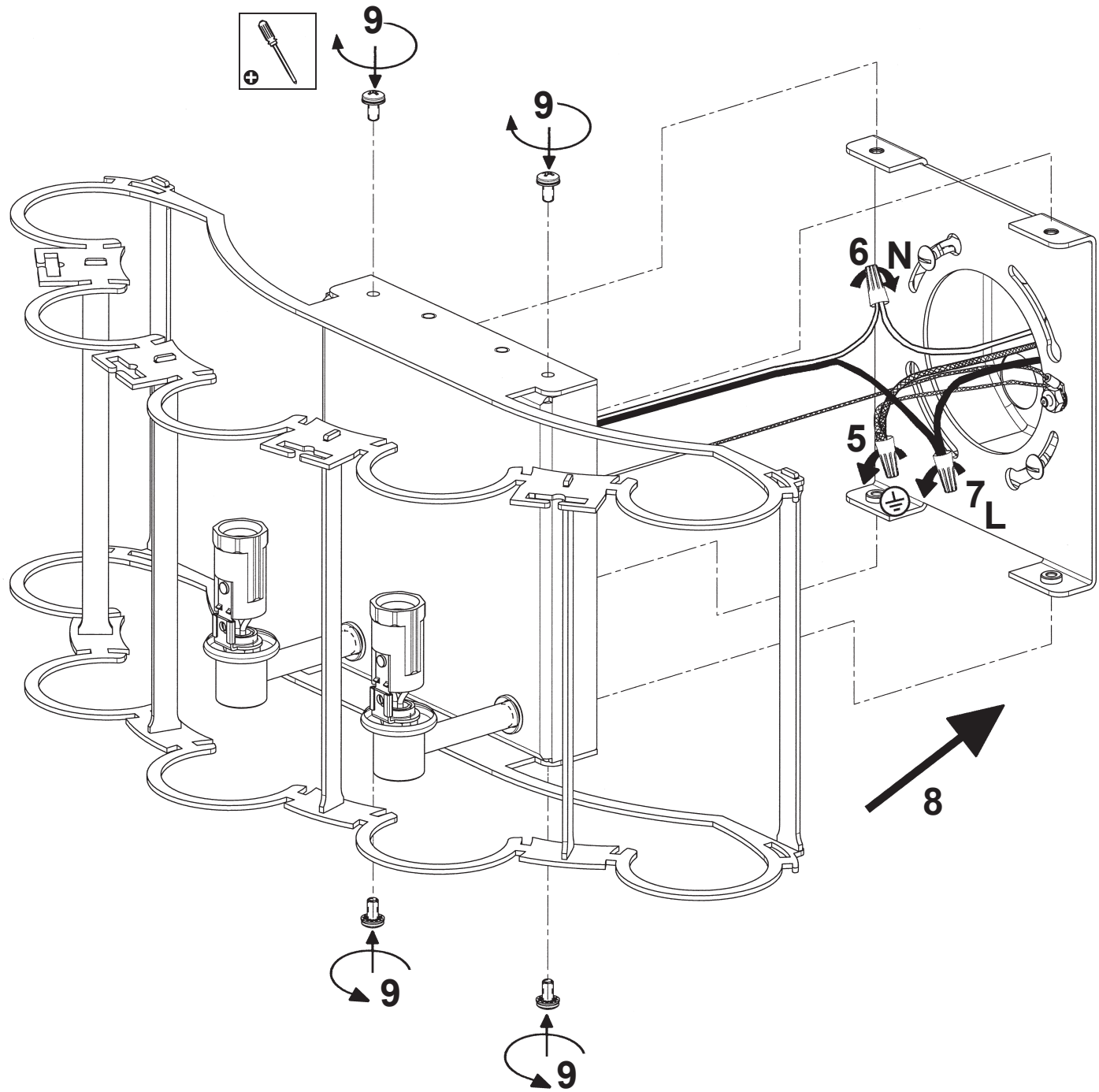


2 X : 31577-**



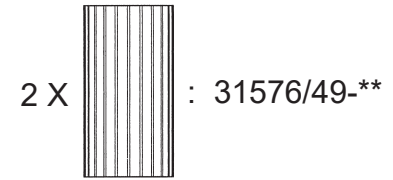
12





You will need 2 - B10
60 Watts Max

Install bulbs and be sure
to test fixture **BEFORE**
trimming.



2 X : 31576/49-**

