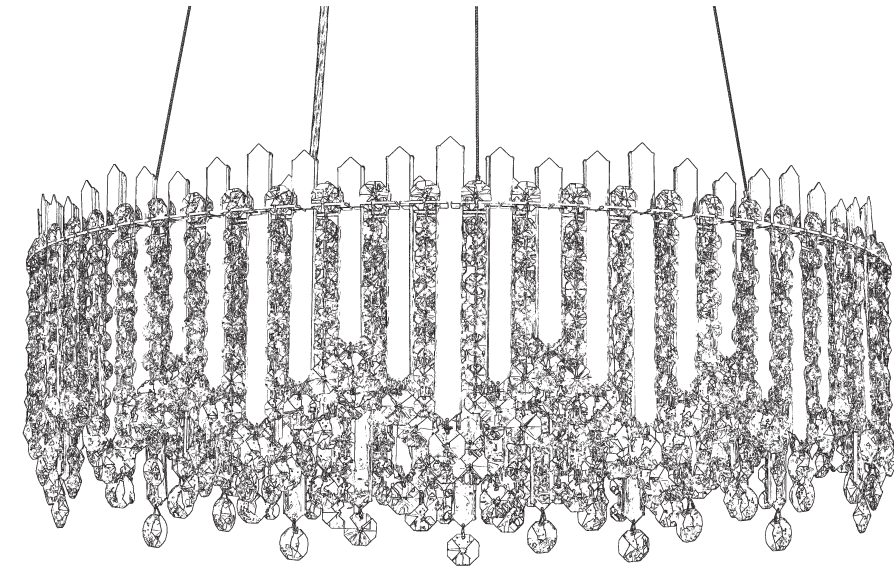


 **SCHONBEK** | 1870










CHATTER
MX8343N- __ _ O



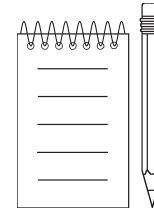
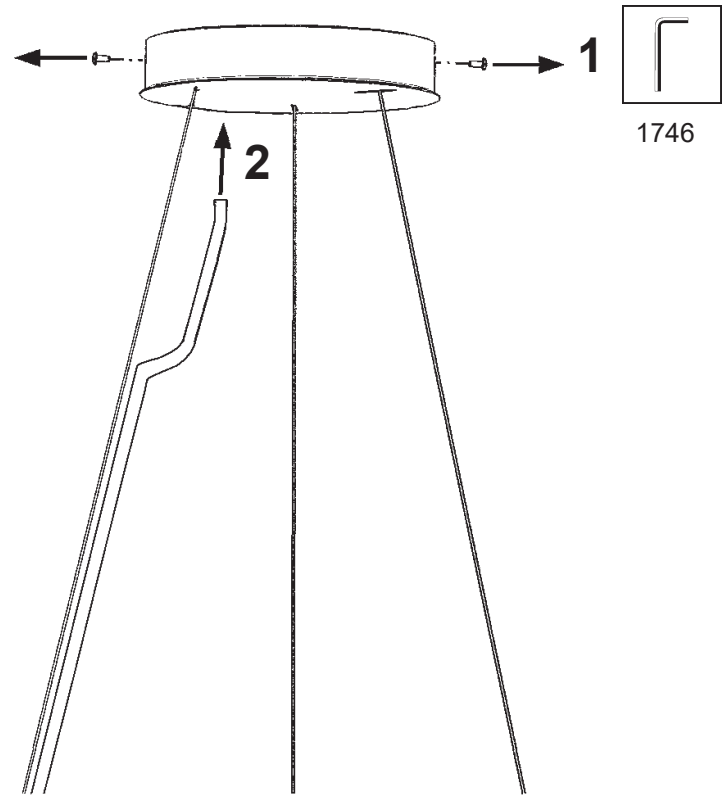
THIS DESIGN IS THE PROPRIETARY
TRADE DRESS/TRADEMARK OF
W SCHONBEK LLC.

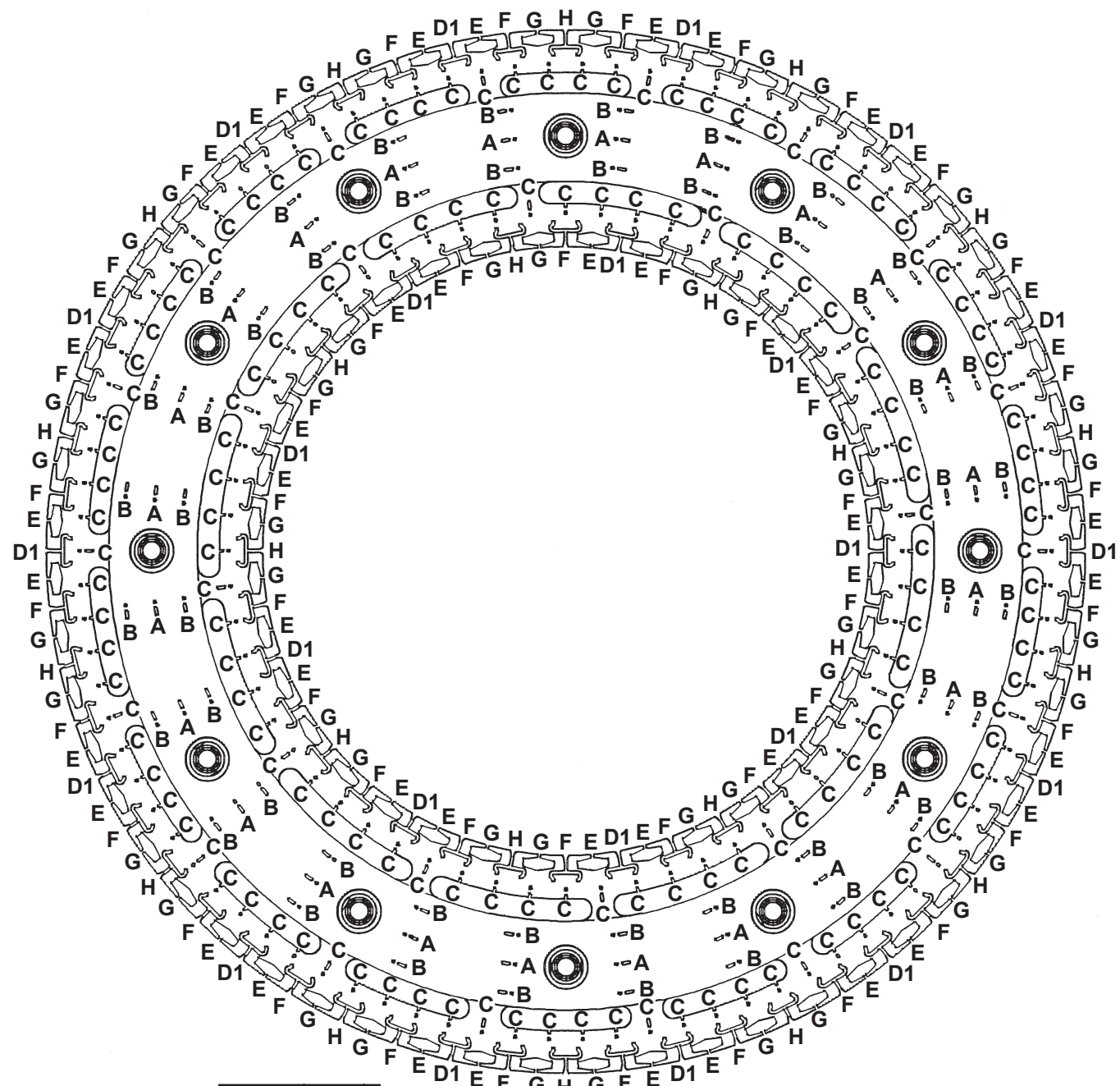
12 Lights
Length: 24"
Height: 8-1/2"
Hanging Weight: 26lbs.

 **SCHONBEK** | 1870

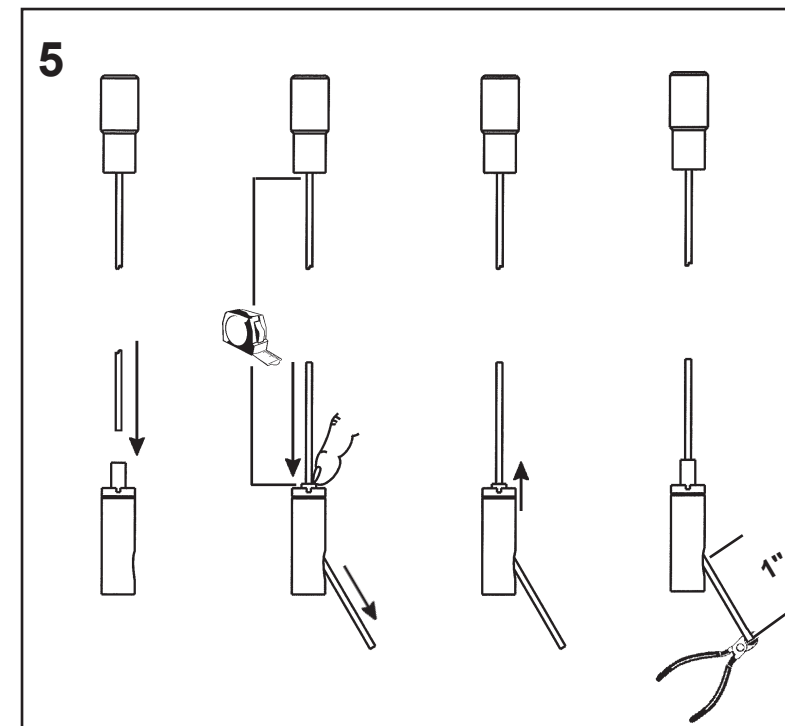
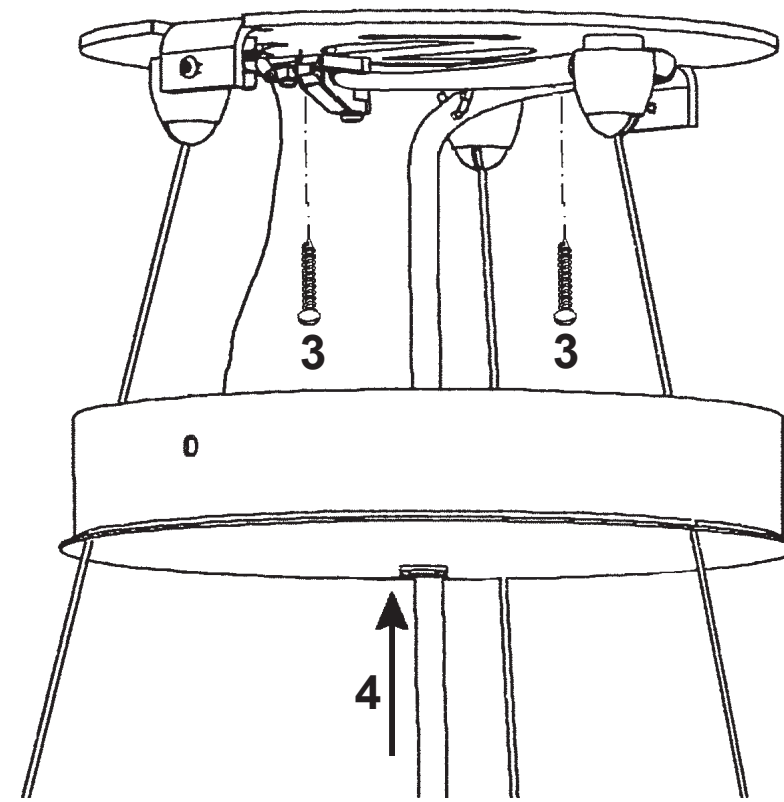
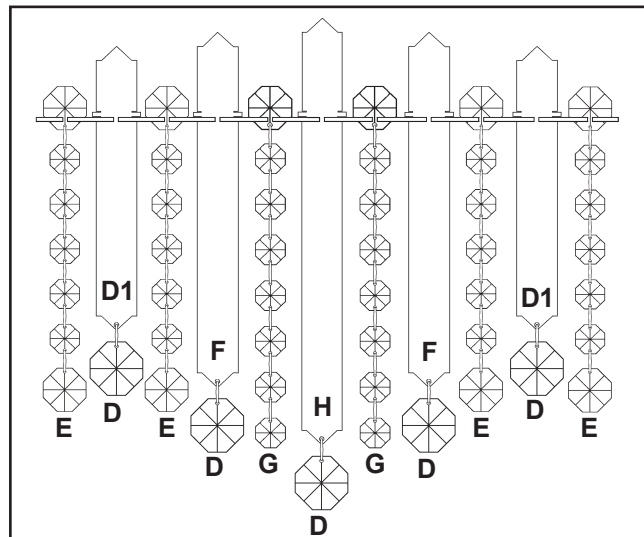
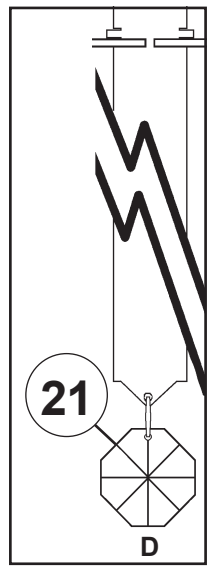
			S					
MAX 40 W	110-120 V							

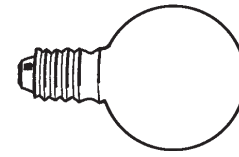
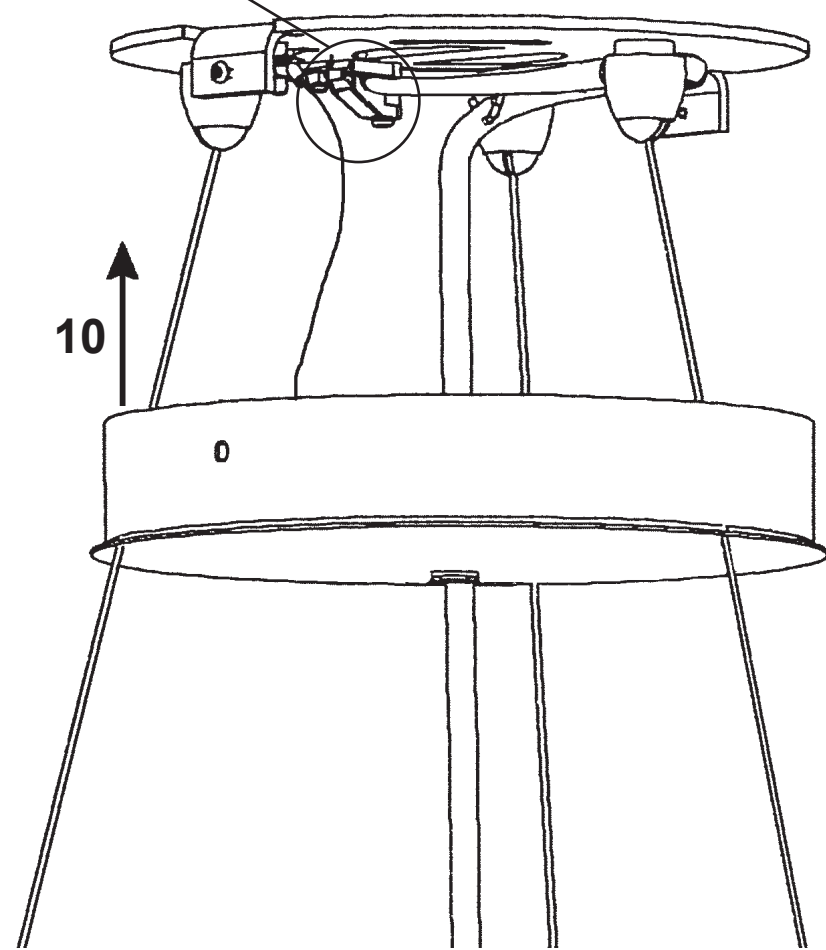
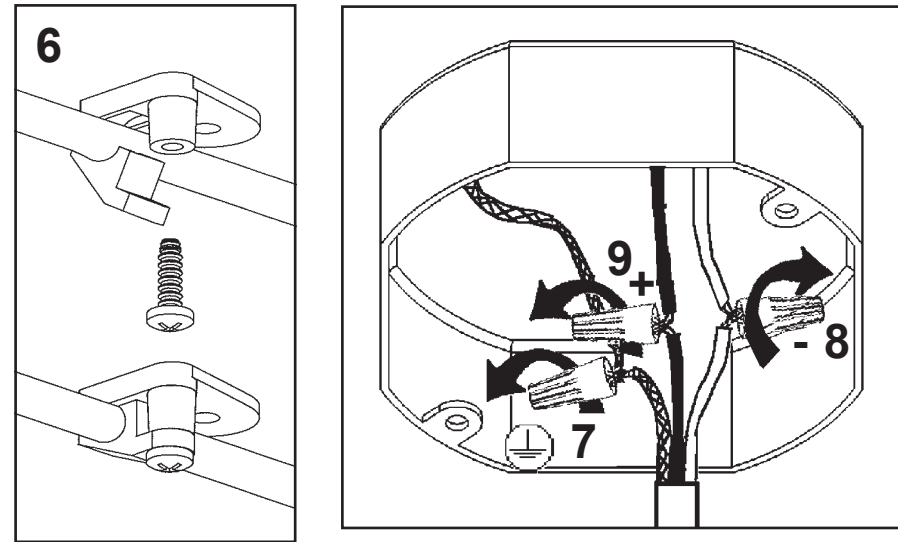
1 X  : 1746





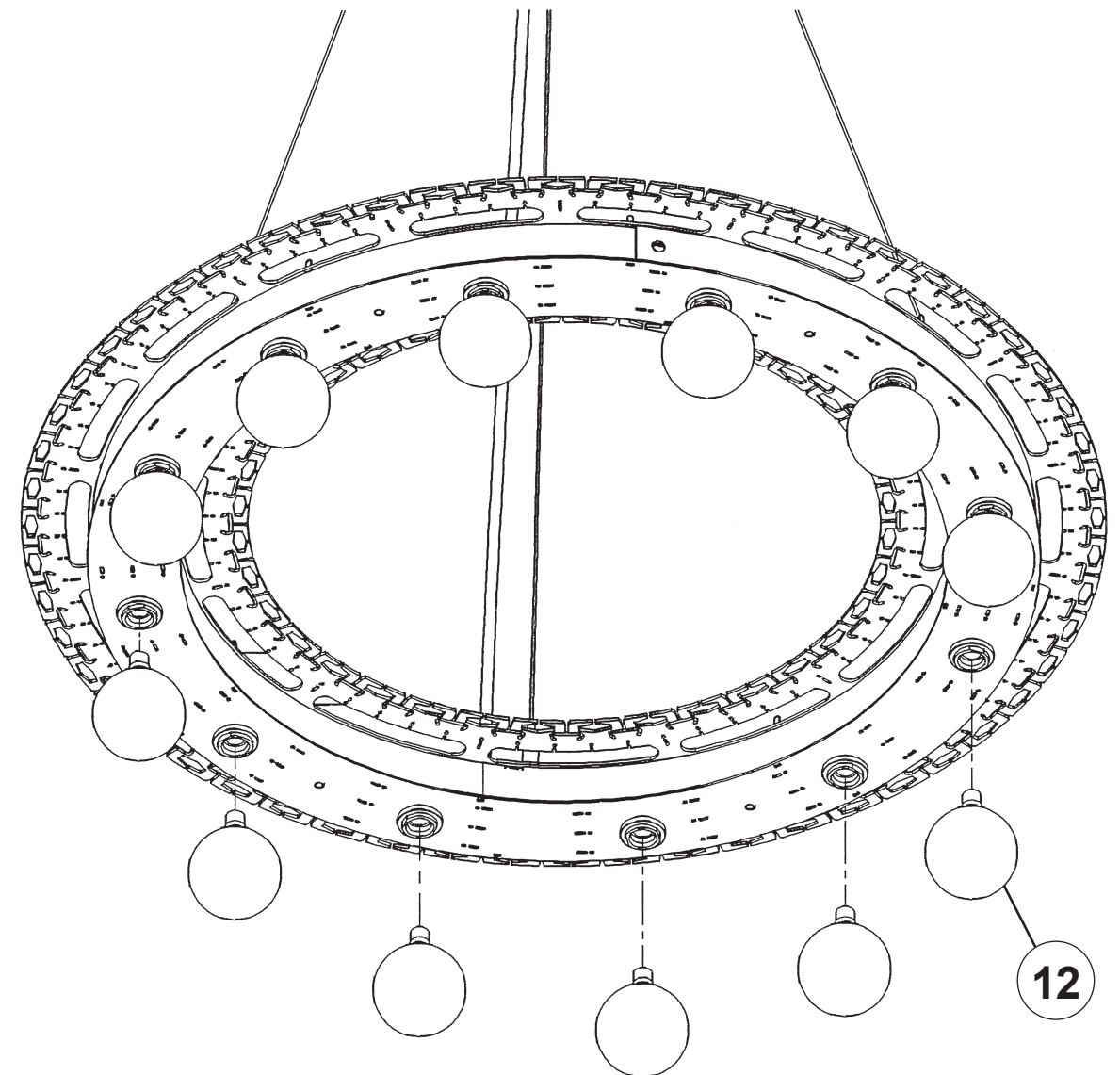
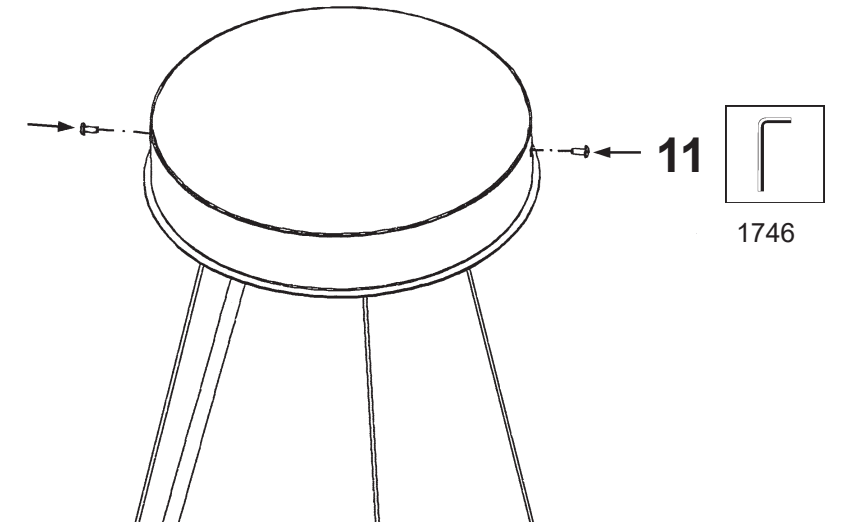
- 13 A
- 14 B
- 15 C
- 16 D1
- 17 E
- 18 F
- 19 G
- 20 H





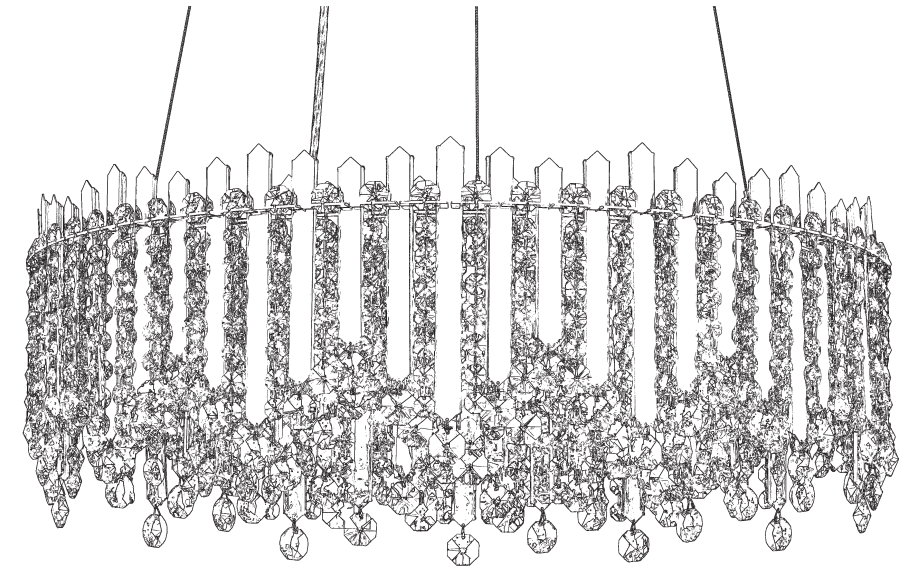
You will need 12 - G16-1/2 Bulbs
40 Watts Max

Install bulbs and be sure to test fixture BEFORE trimming.



 **SCHONBEK** | 1870










CHATTER MX8343N- __ __ R



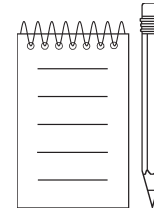
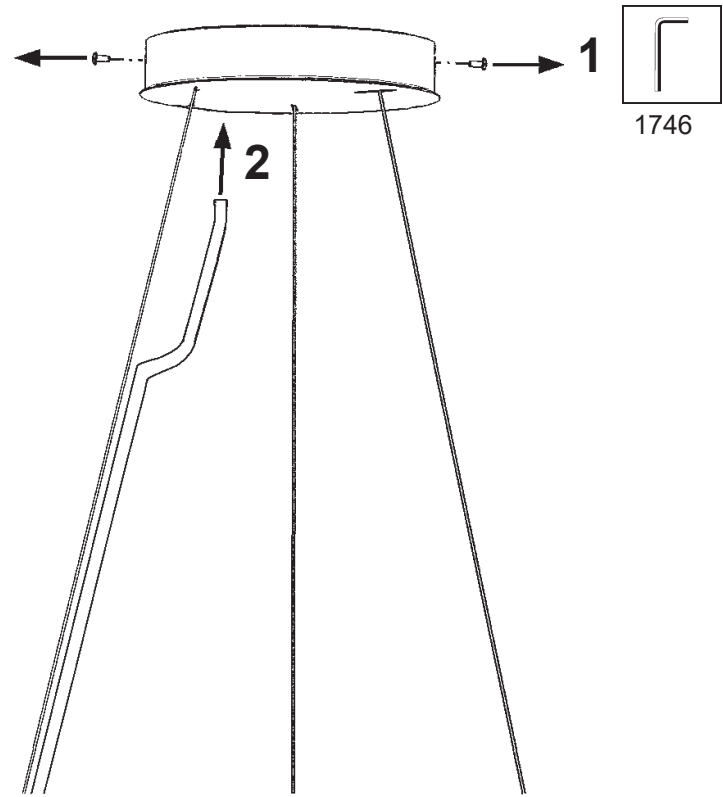
THIS DESIGN IS THE PROPRIETARY
TRADE DRESS/TRADEMARK OF
W SCHONBEK LLC.

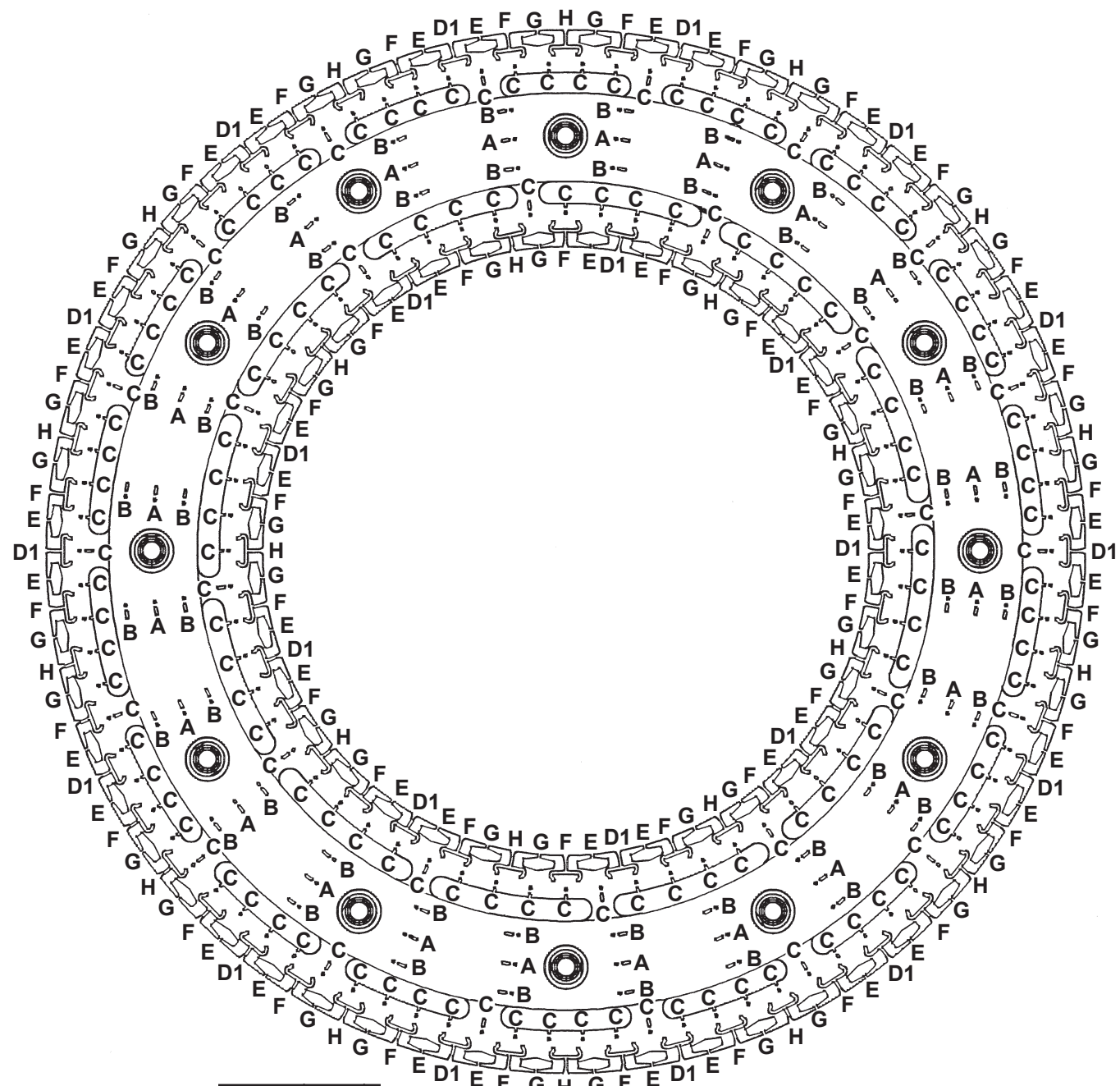
12 Lights
Length: 24"
Height: 8-1/2"
Hanging Weight: 26lbs.

 **SCHONBEK** | 1870

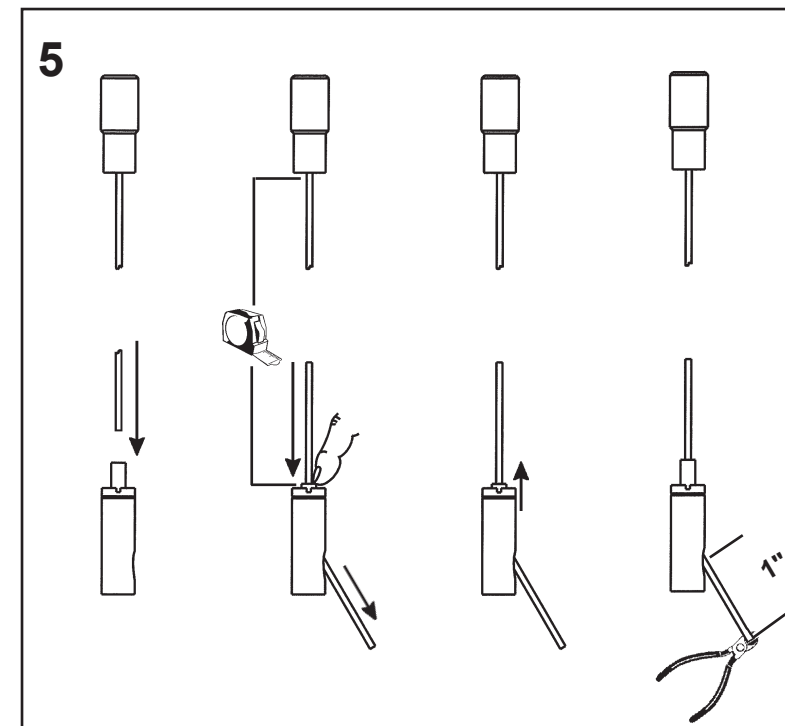
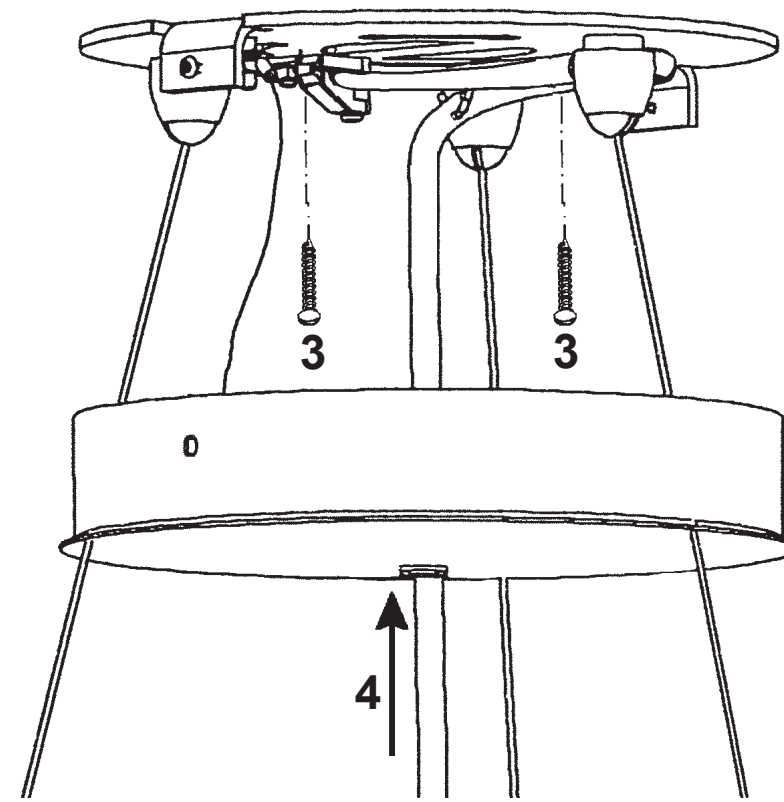
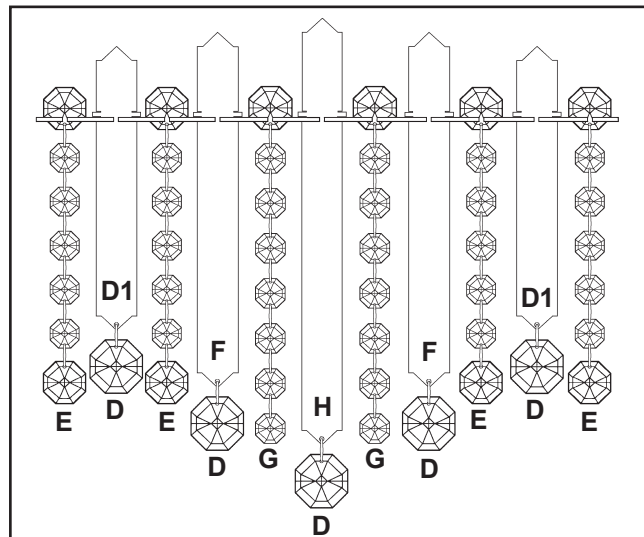
			S					
MAX 40 W	110-120 V							

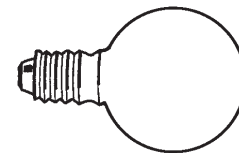
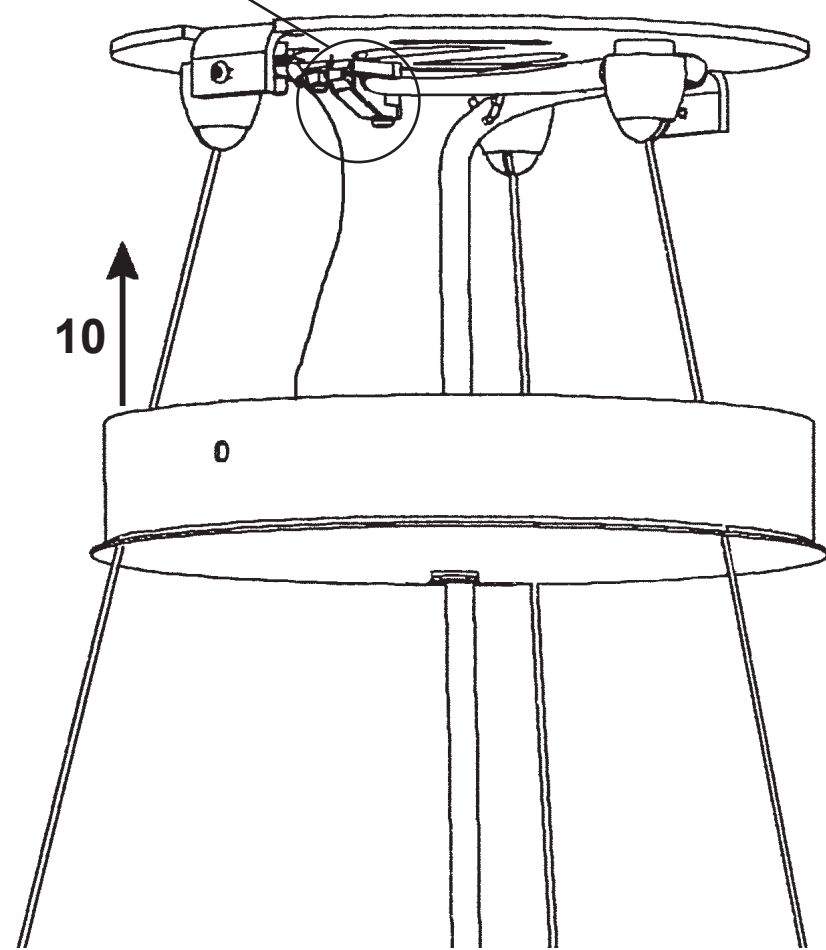
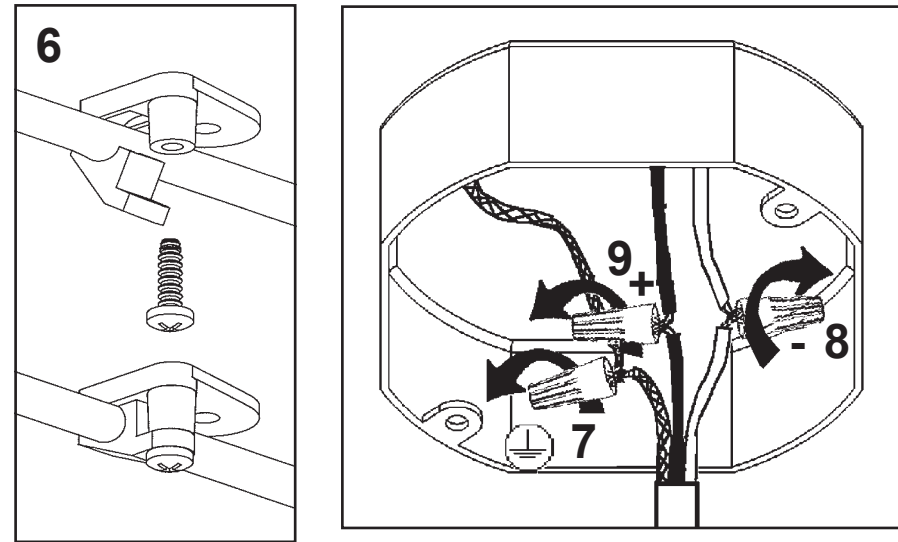
1 X  : 1746





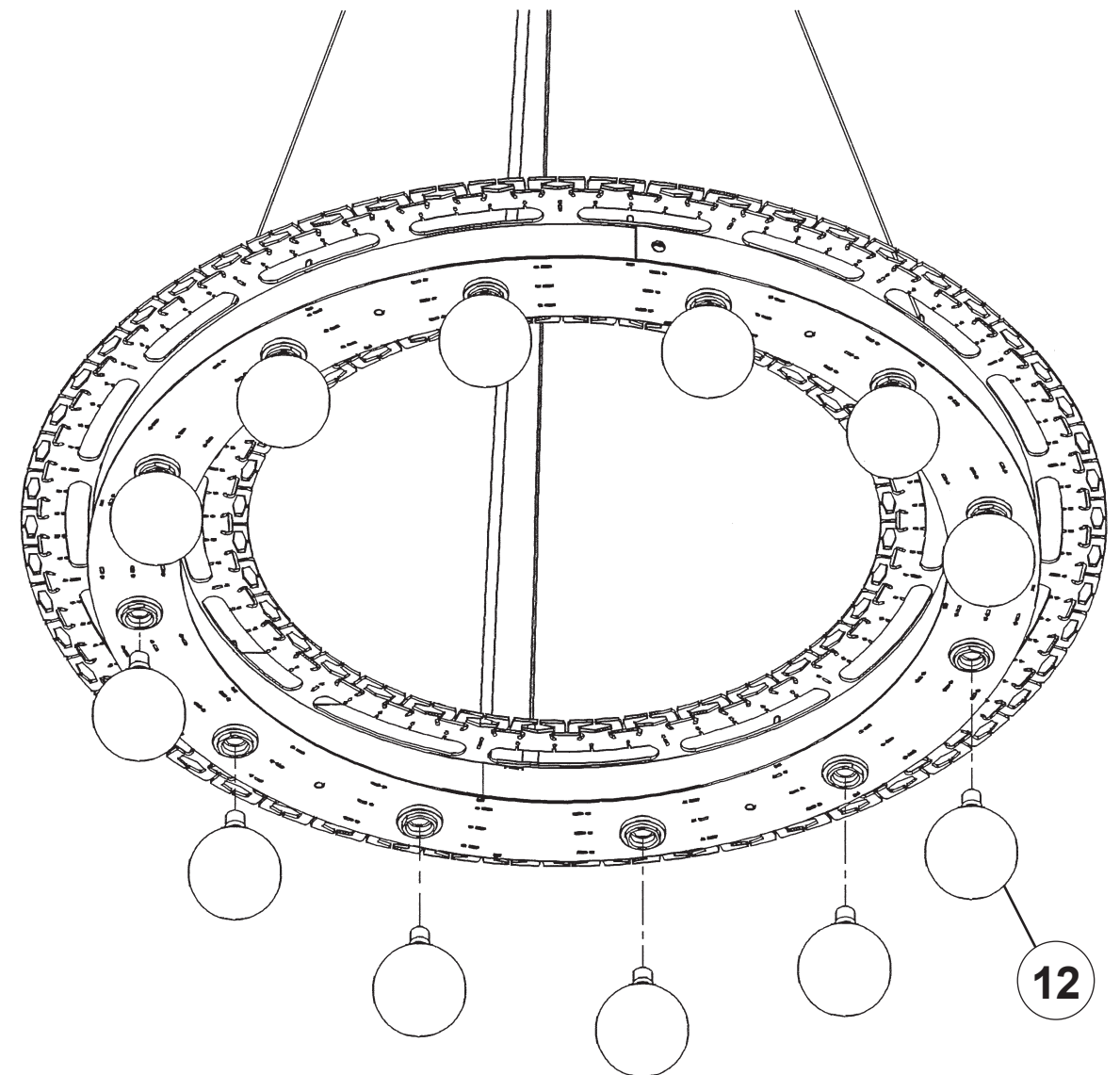
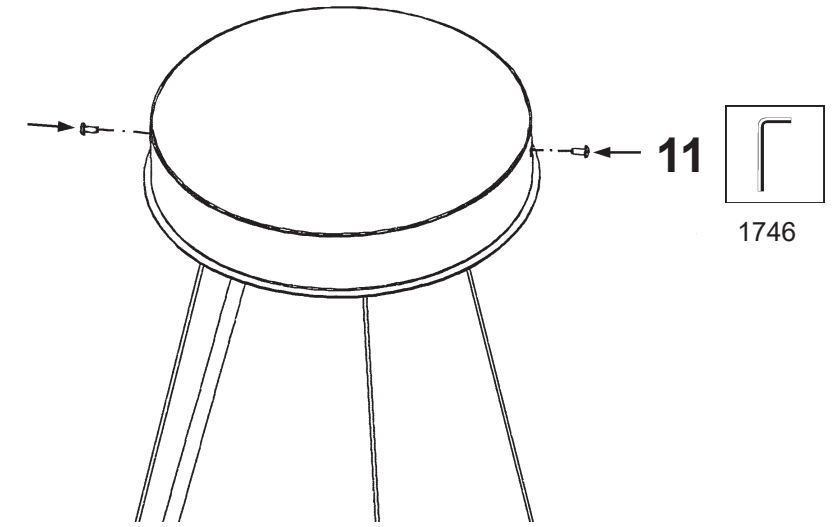
- 13 A
- 14 B
- 15 C
- 16 D1
- 17 E
- 18 F
- 19 G
- 20 H





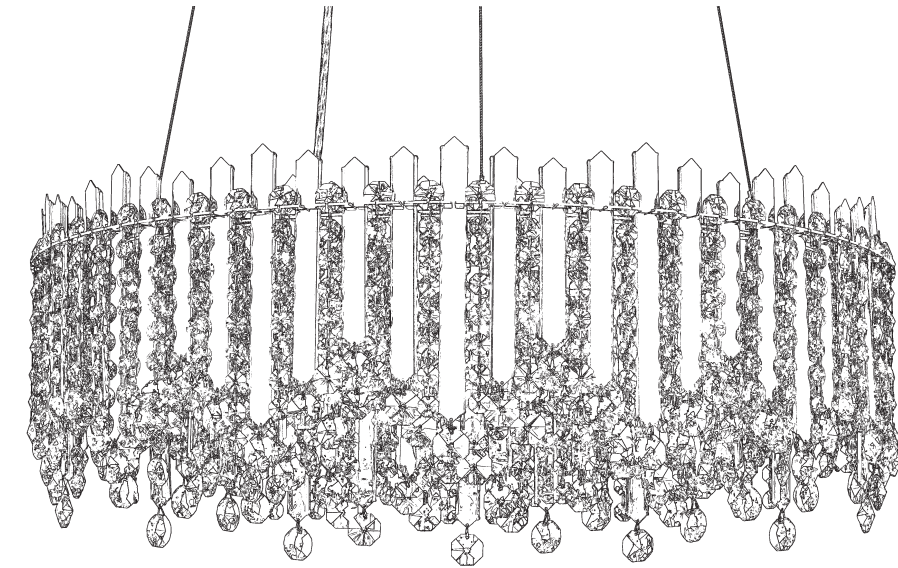
You will need 12 - G16-1/2 Bulbs
40 Watts Max

**Install bulbs and be sure to
test fixture BEFORE trimming.**



 **SCHONBEK** | 1870










CHATTER MX8343N- __ __ S




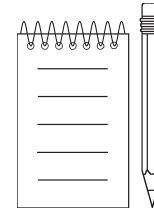
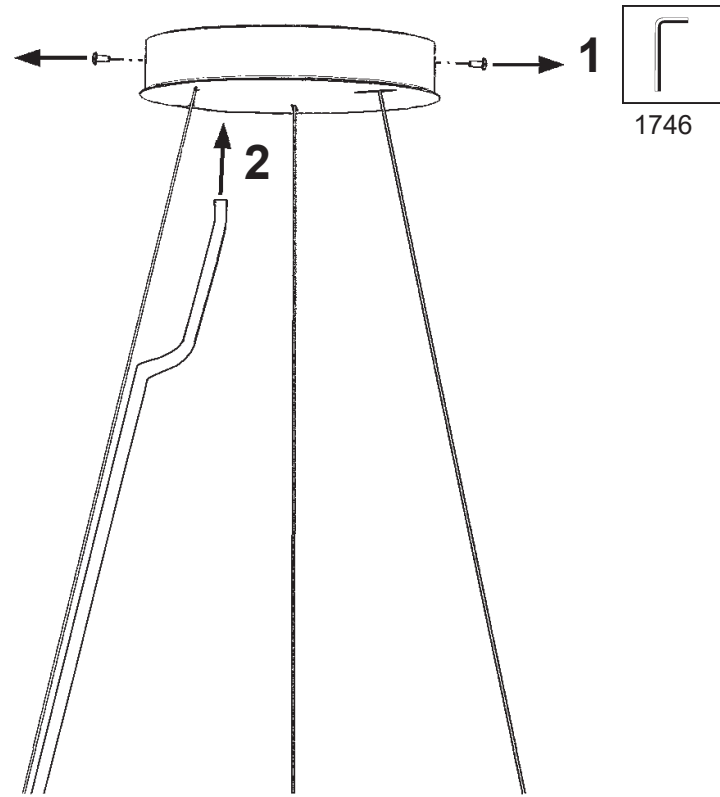
THIS DESIGN IS THE PROPRIETARY
TRADE DRESS/TRADEMARK OF
W SCHONBEK LLC.

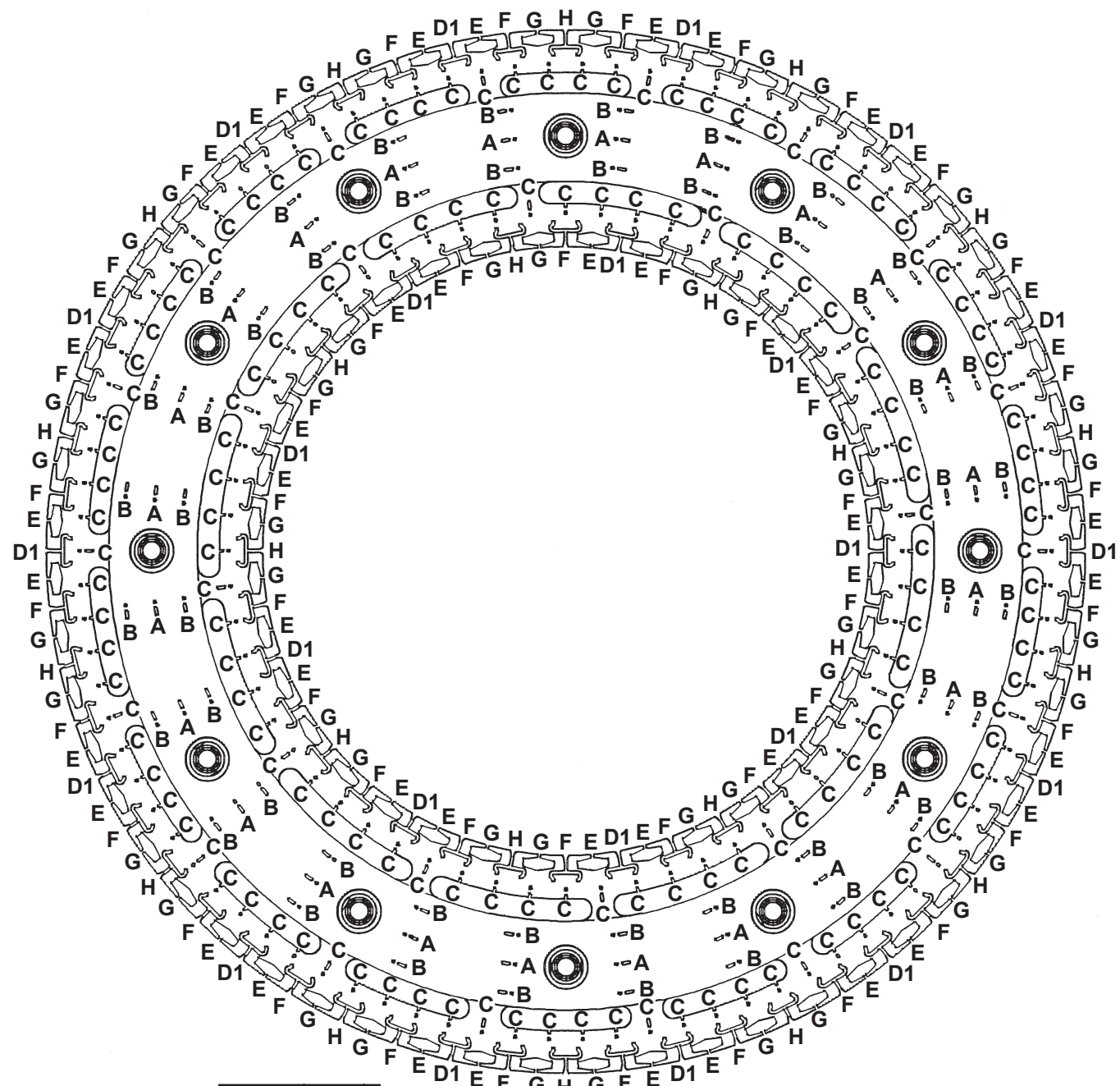
12 Lights
Length: 24"
Height: 8-1/2"
Hanging Weight: 26lbs.

 **SCHONBEK** | 1870

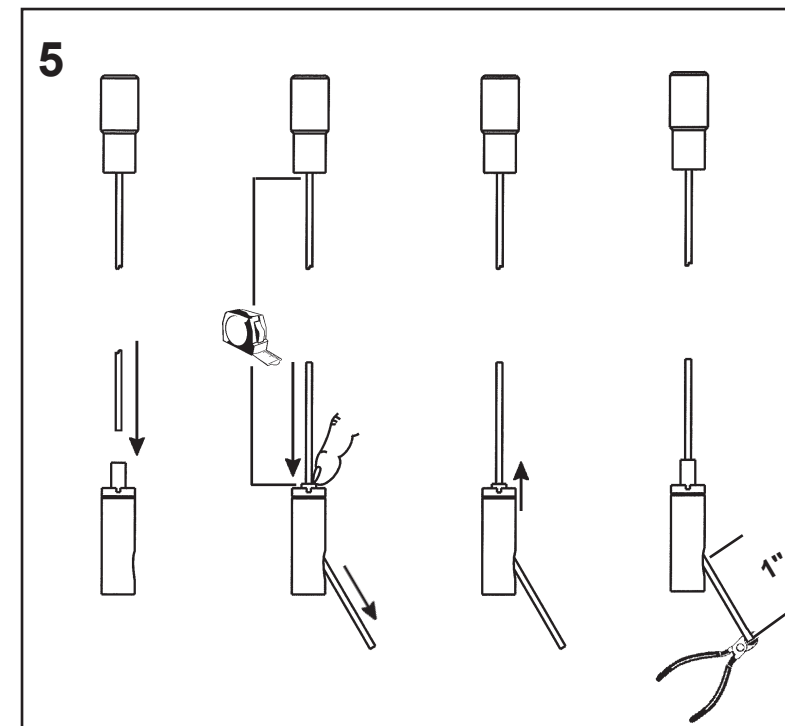
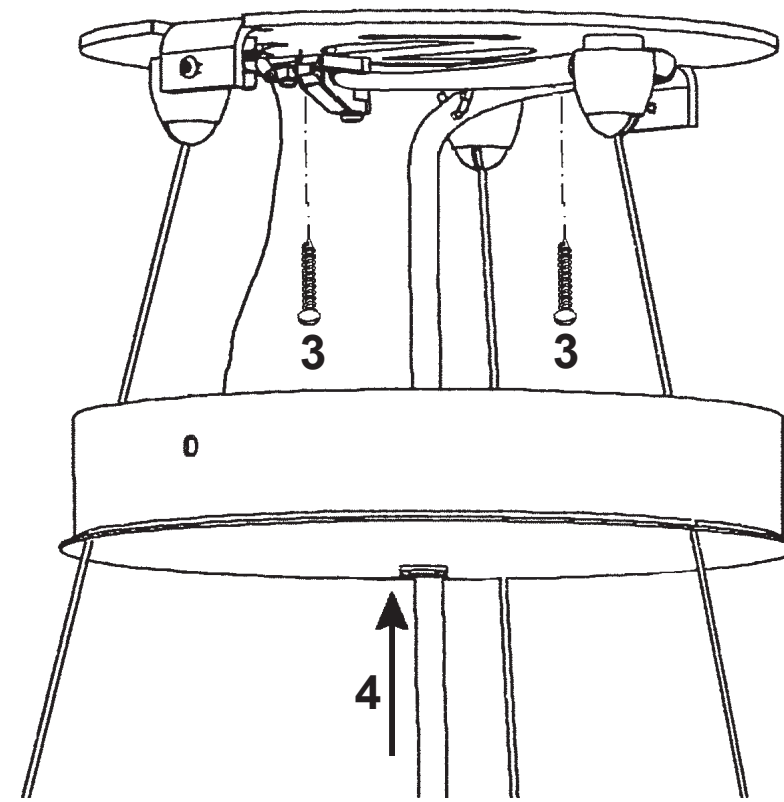
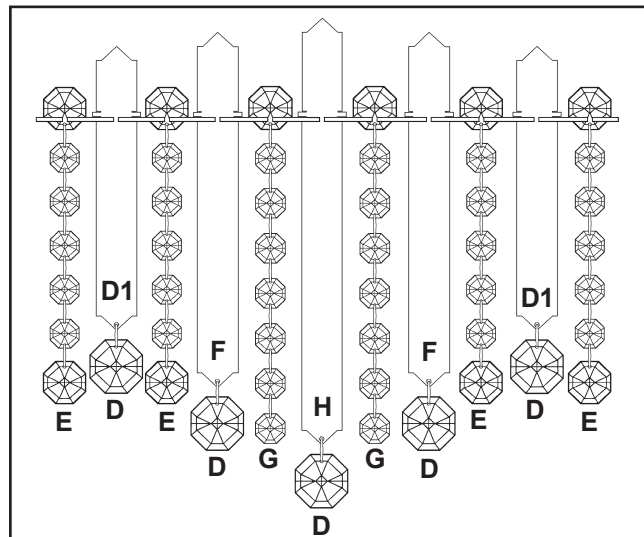
			S					
MAX 40 W	110-120 V							

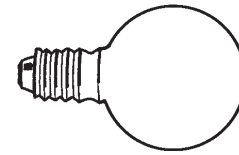
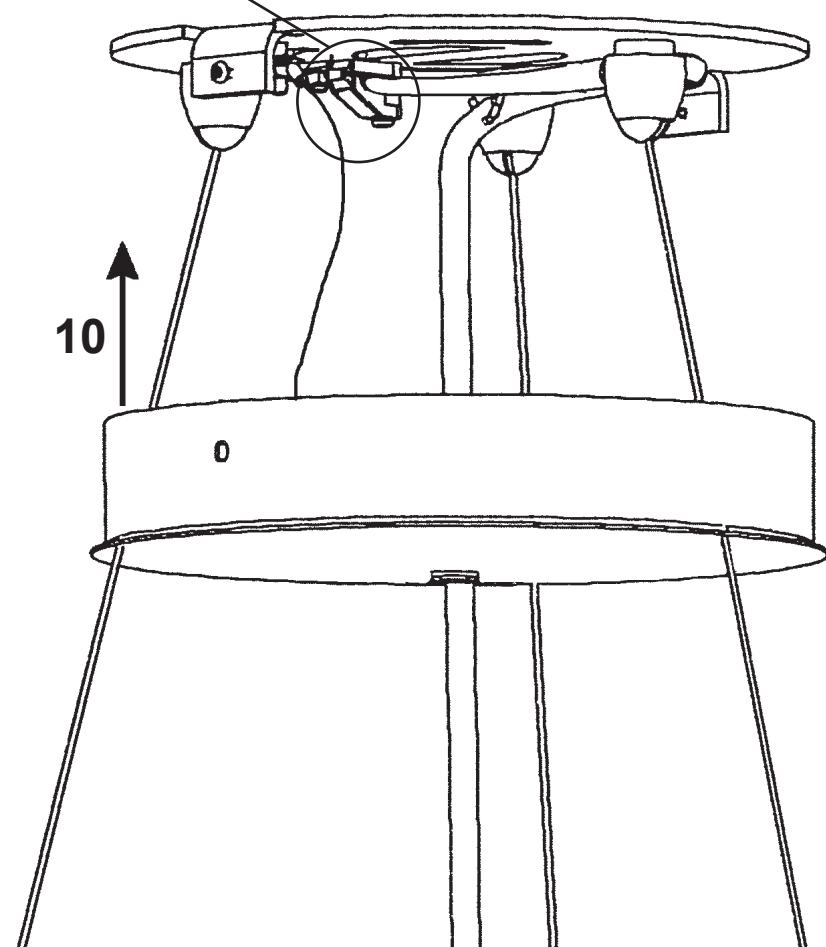
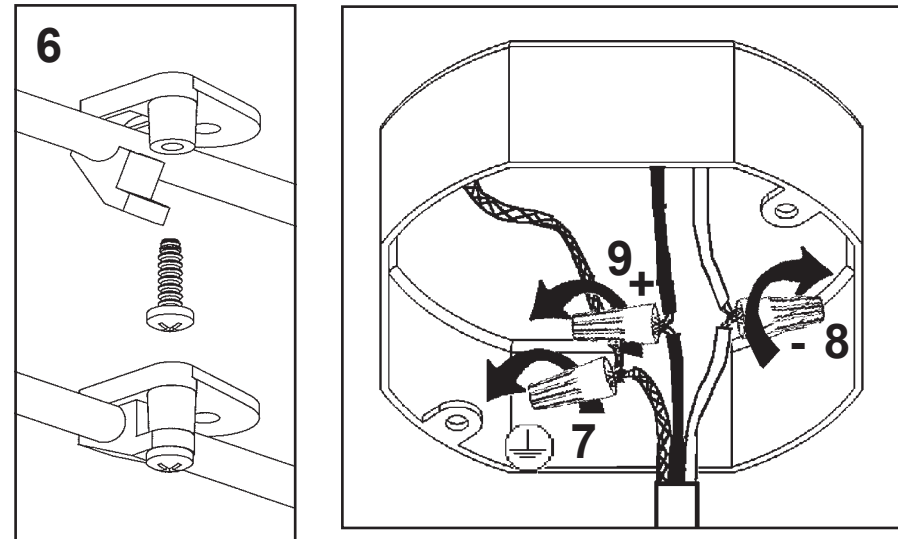
1 X  : 1746





- 13 A
- 14 B
- 15 C
- 16 D1
- 17 E
- 18 F
- 19 G
- 20 H





You will need 12 - G16-1/2 Bulbs
40 Watts Max

**Install bulbs and be sure to
test fixture BEFORE trimming.**

