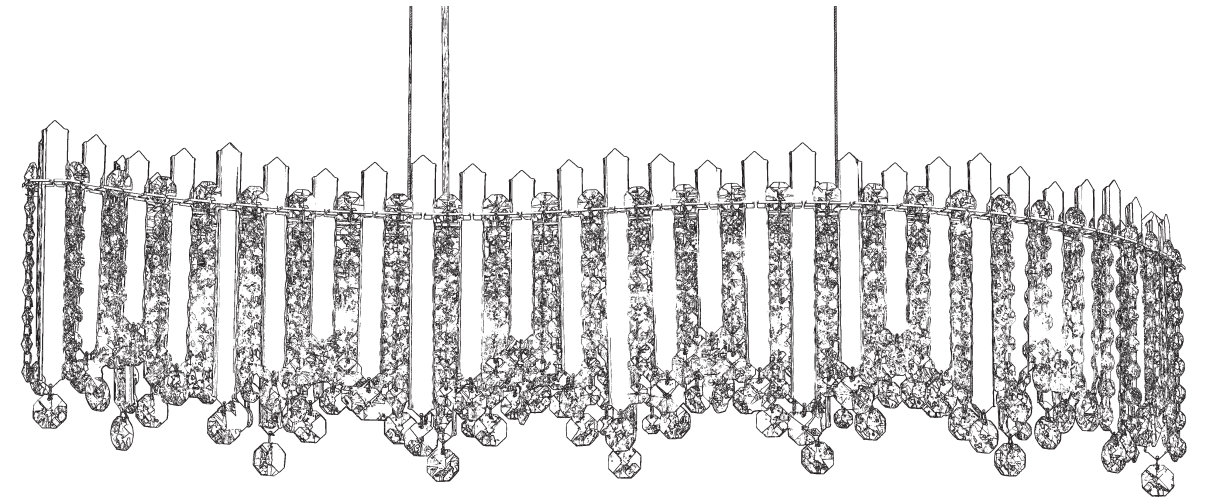




# CHATTER MX8346N- \_\_ \_ O

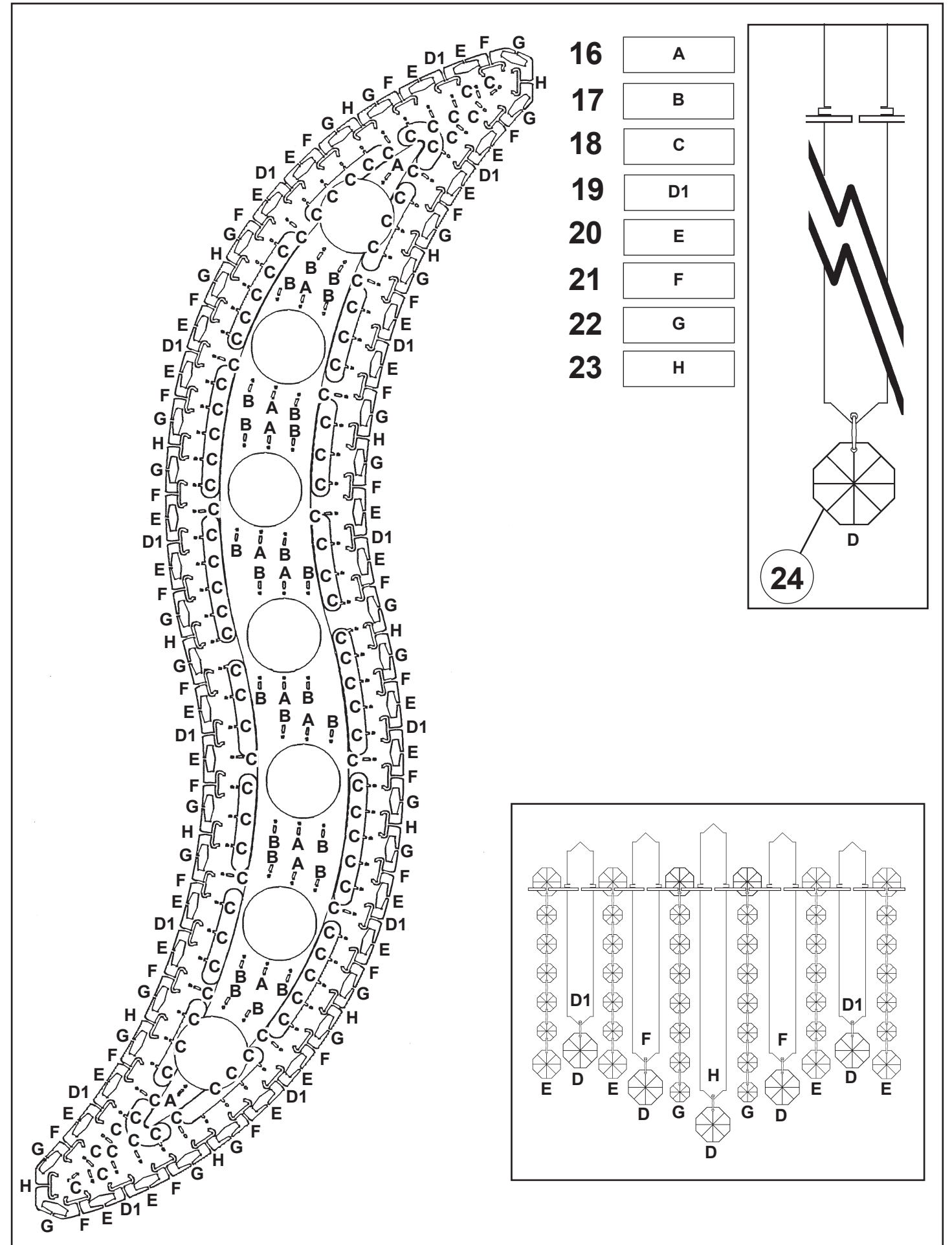
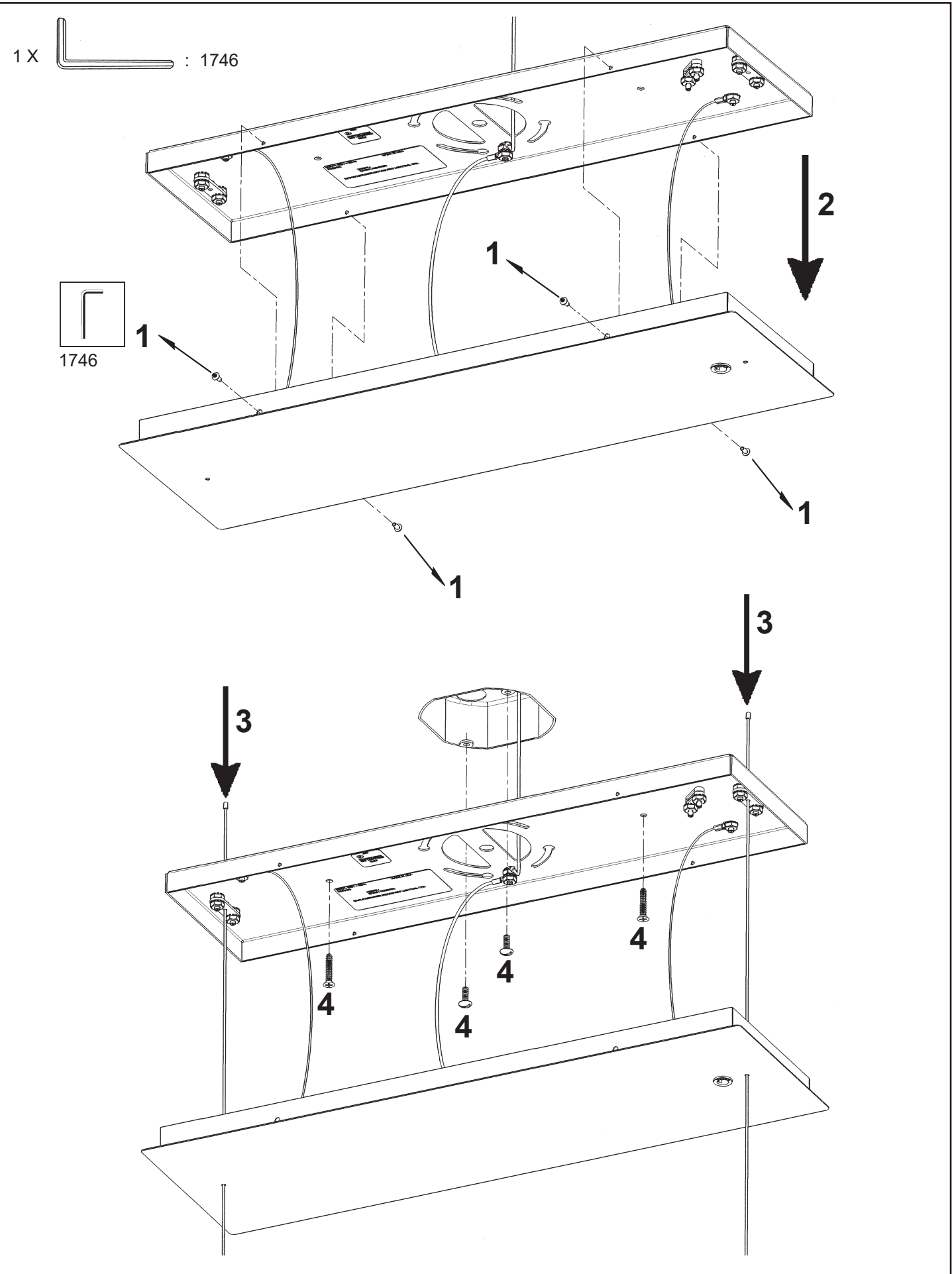


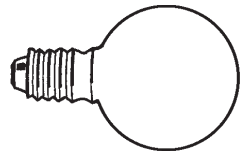
**T**HIS DESIGN IS THE PROPRIETARY  
TRADE DRESS/TRADEMARK OF  
W SCHONBEK LLC.

7 Lights  
Length: 32-1/2"  
Width: 14"  
Height: 8-1/2"  
Hanging Weight: 18lbs.



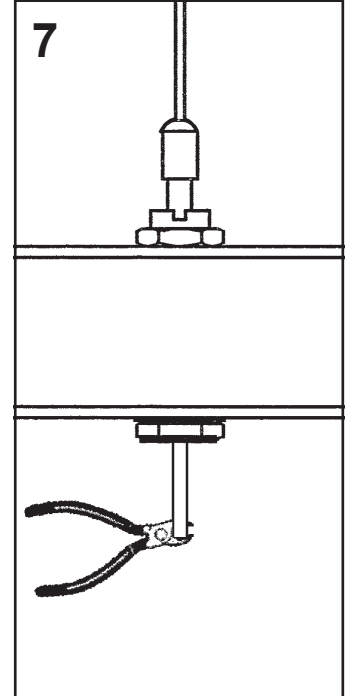
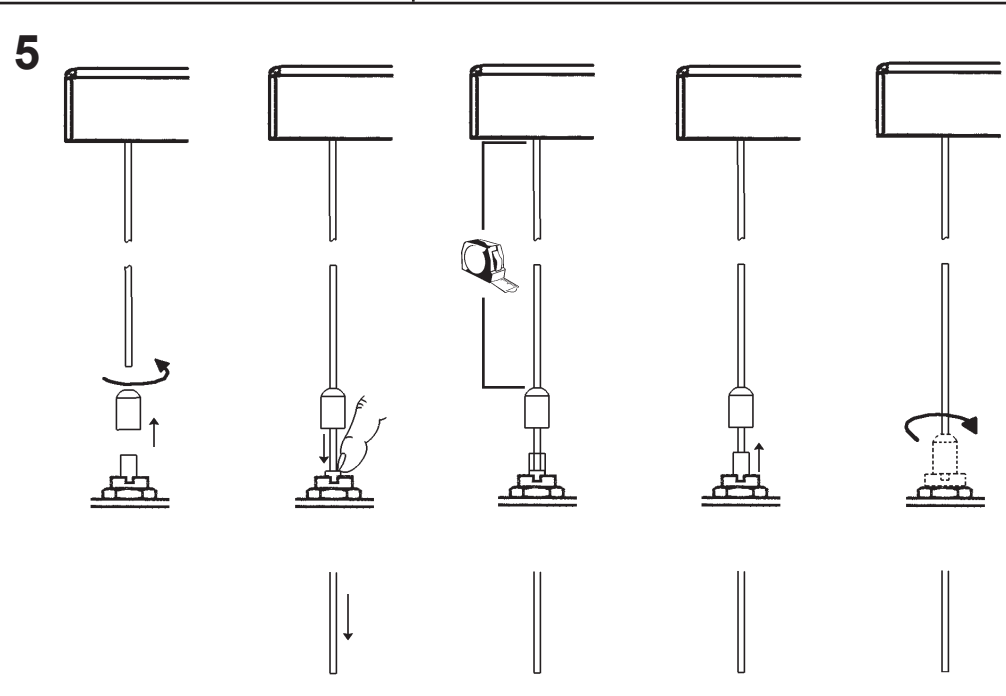
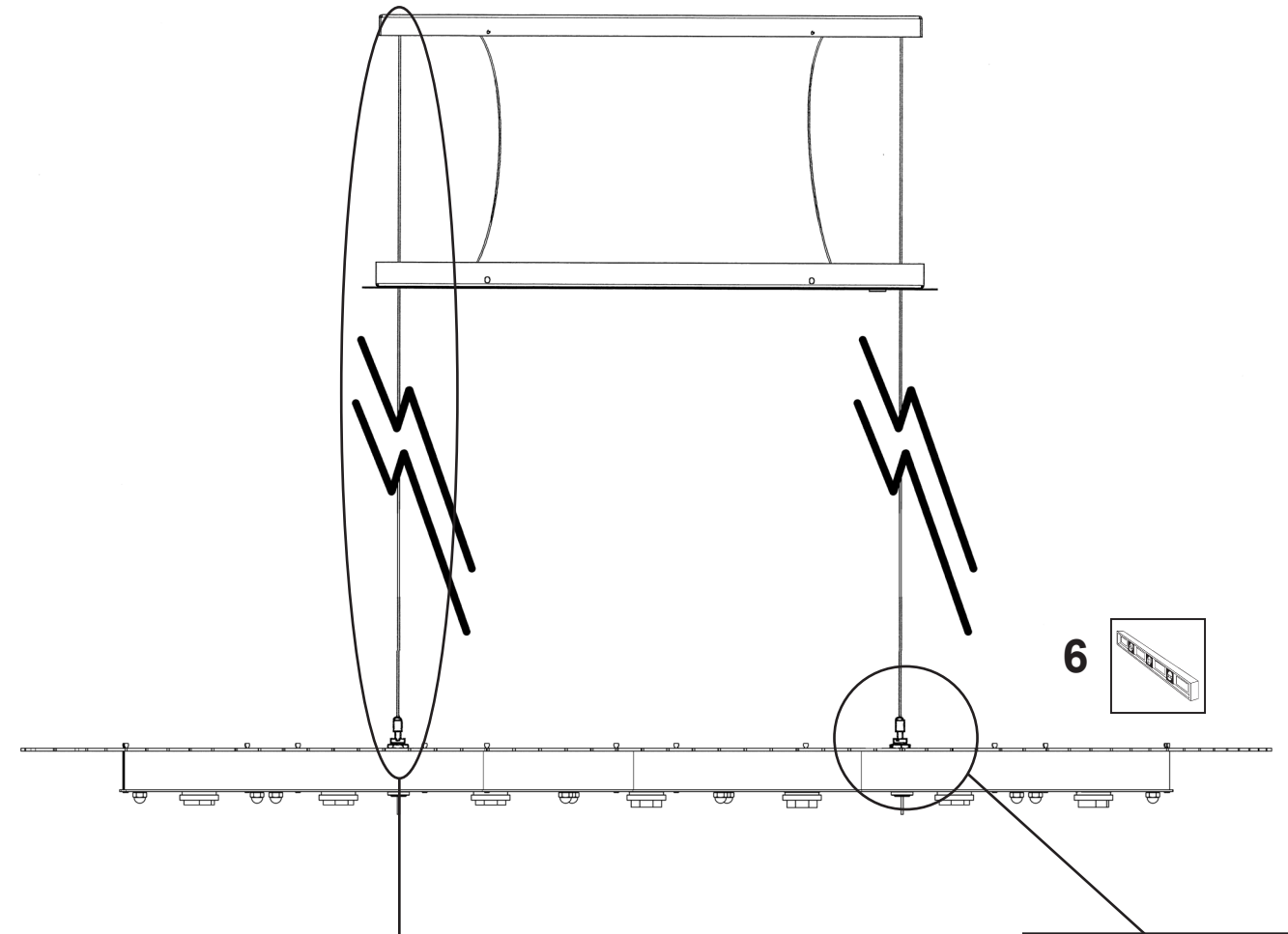
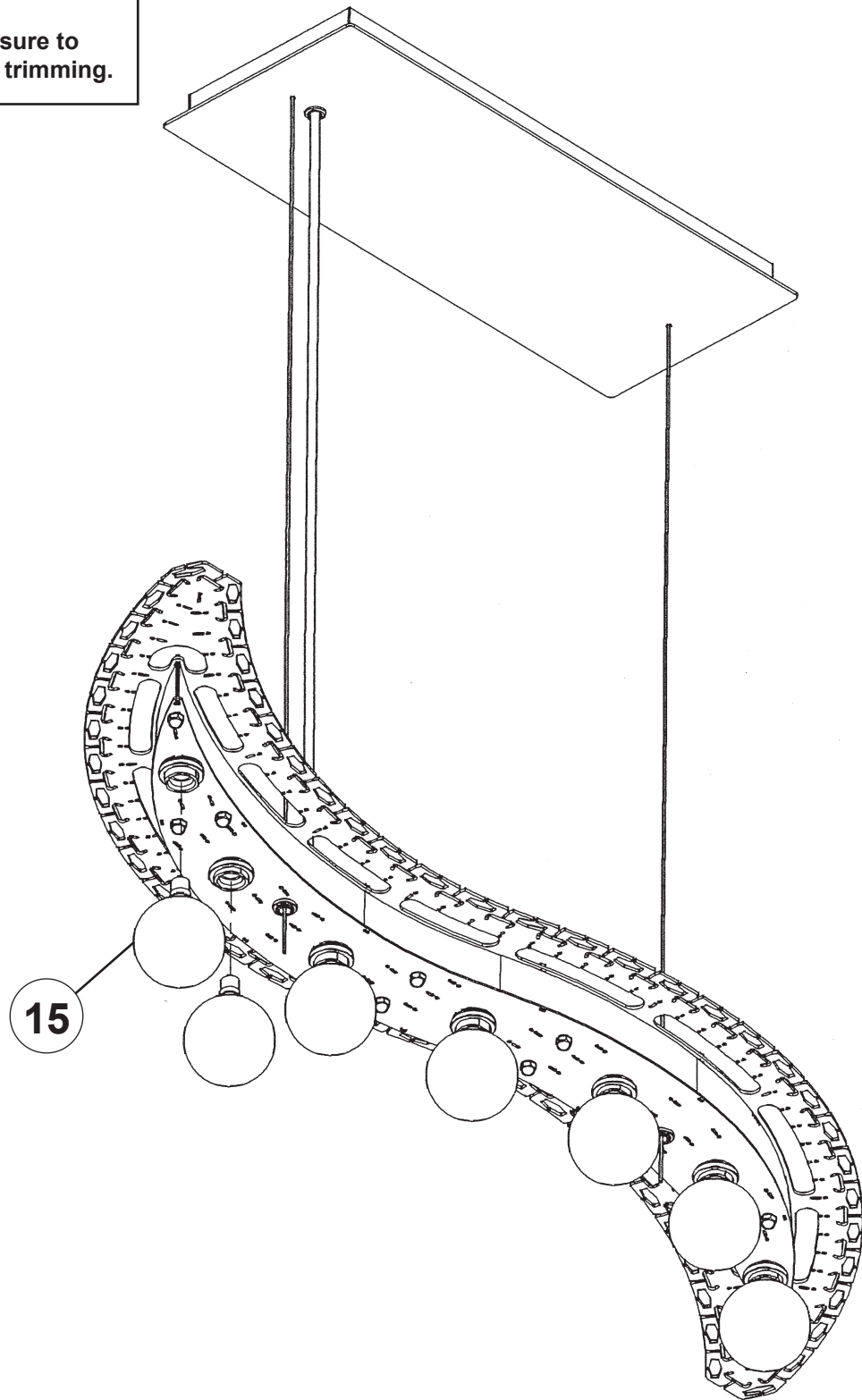
MAX 40 W	110-120 V						

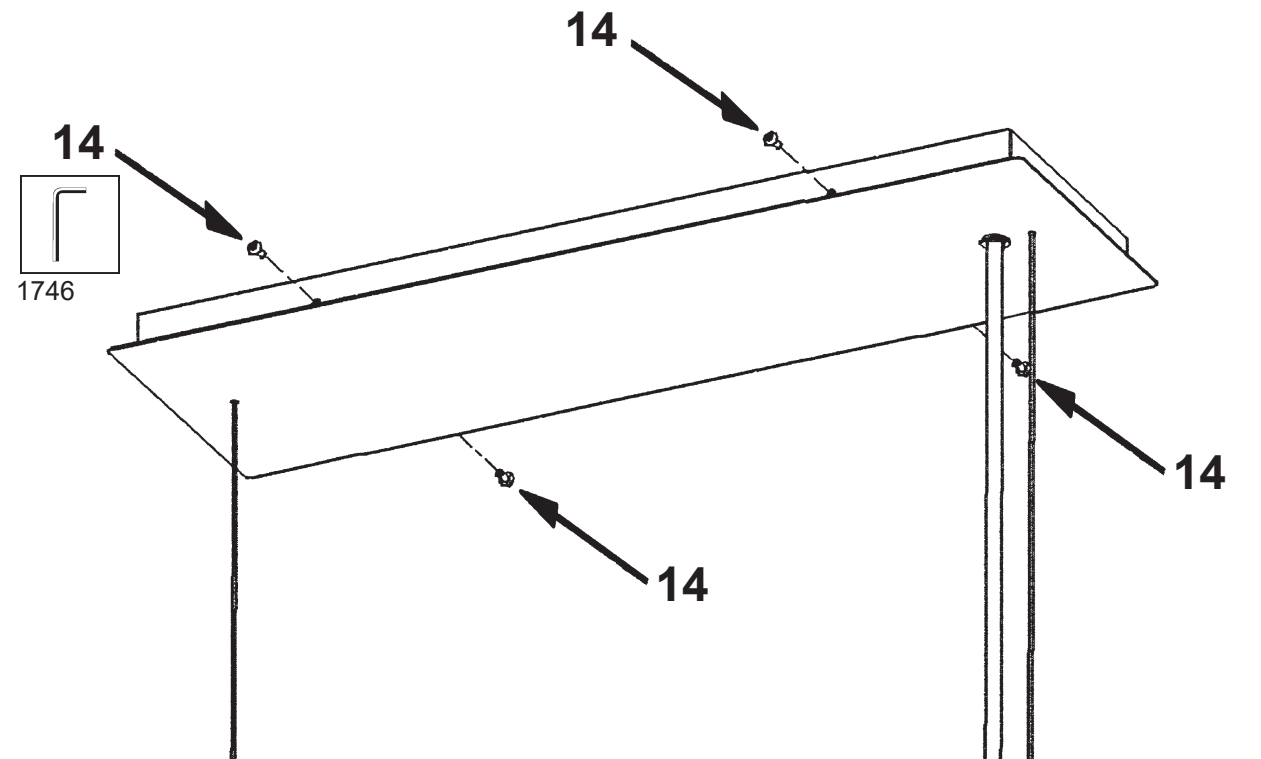
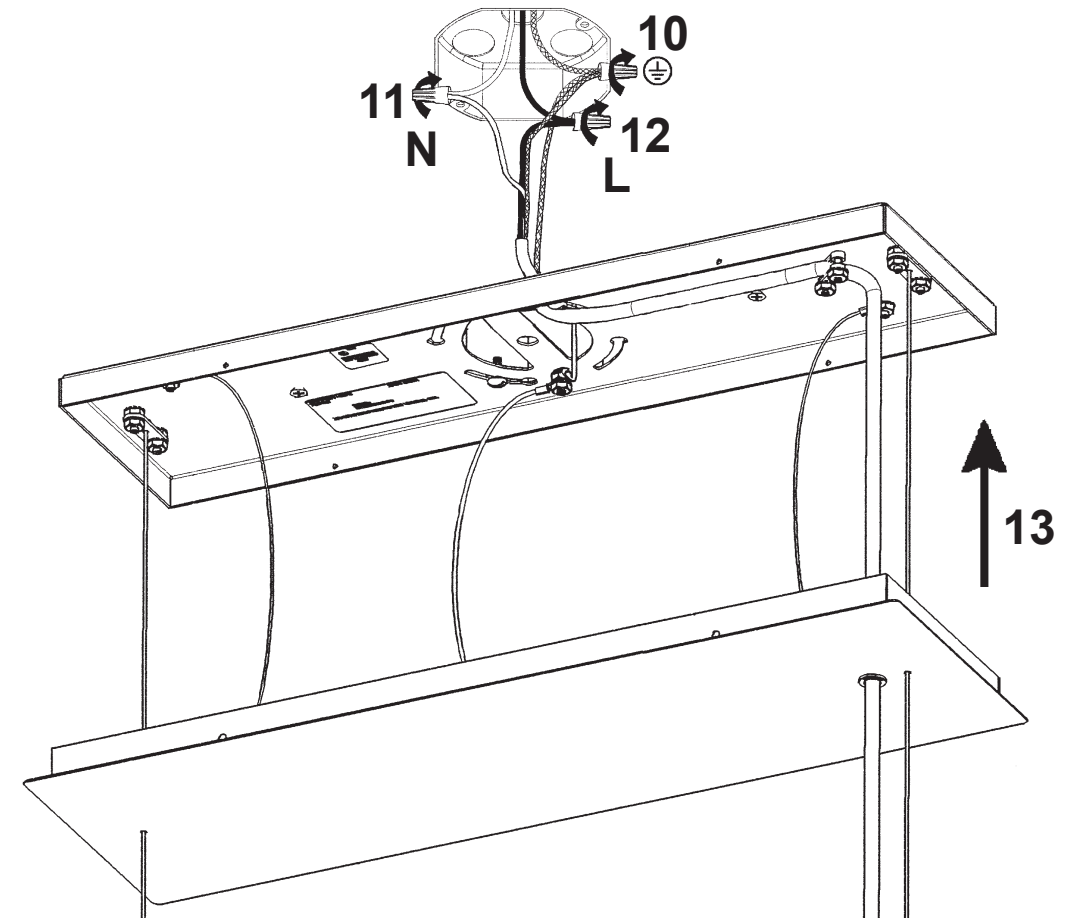
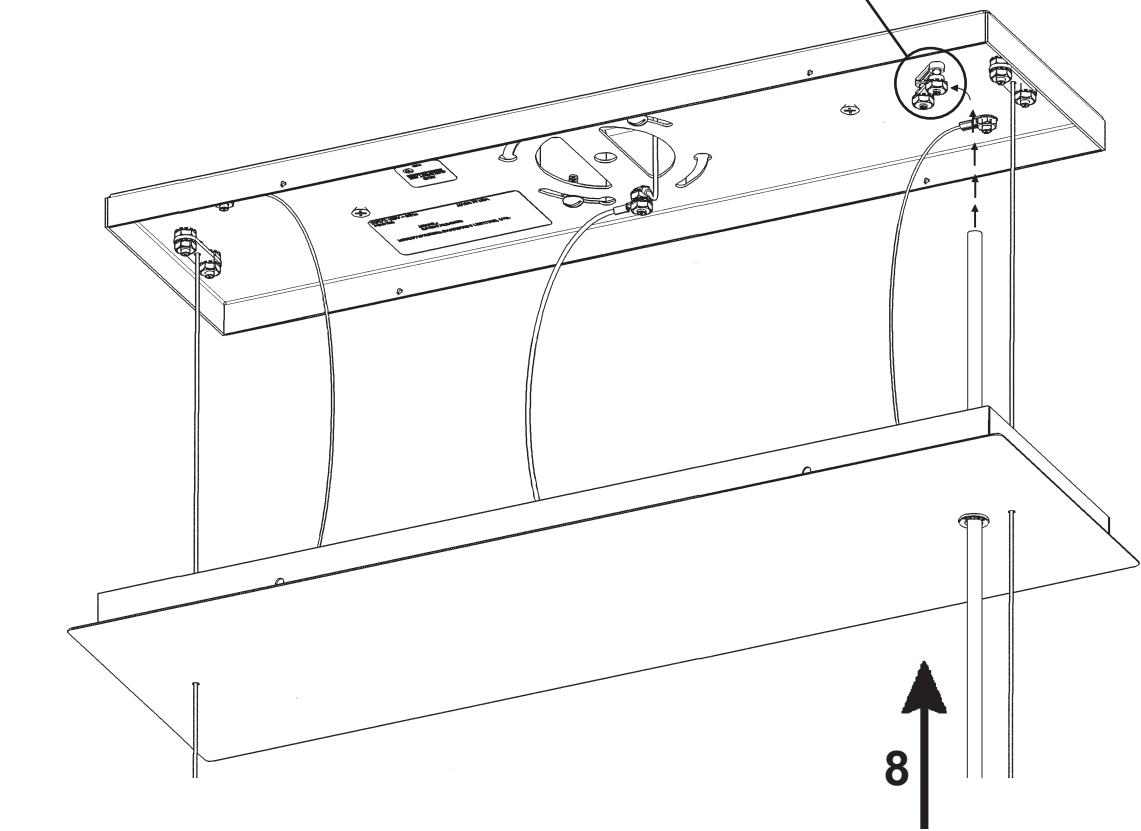
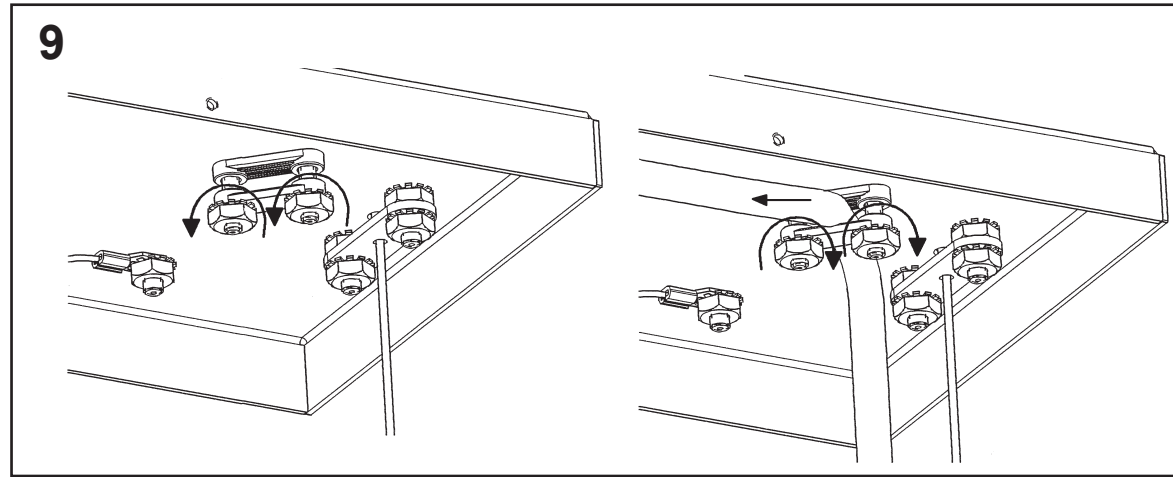




You will need 7 - G16-1/2 Bulbs  
40 Watts Max

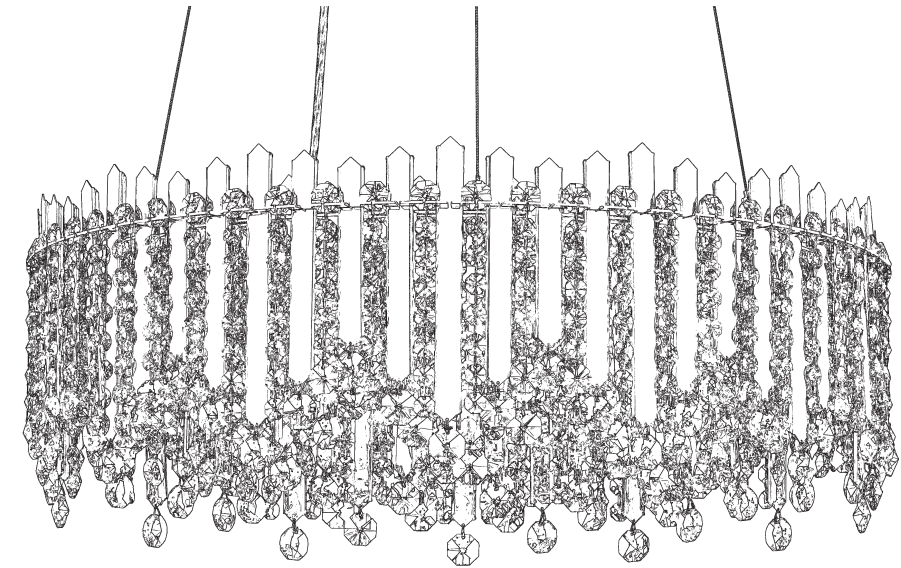
Install bulbs and be sure to  
test fixture BEFORE trimming.





 **SCHONBEK** | 1870










**CHATTER**  
**MX8343N- \_\_ \_\_ R**



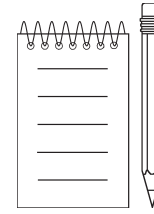
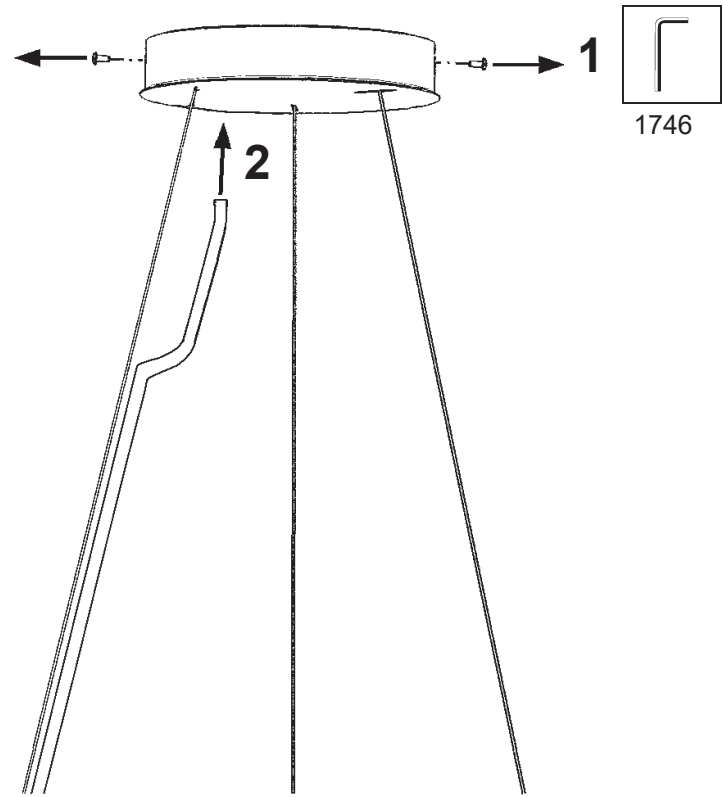
**T**HIS DESIGN IS THE PROPRIETARY  
TRADE DRESS/TRADEMARK OF  
W SCHONBEK LLC.

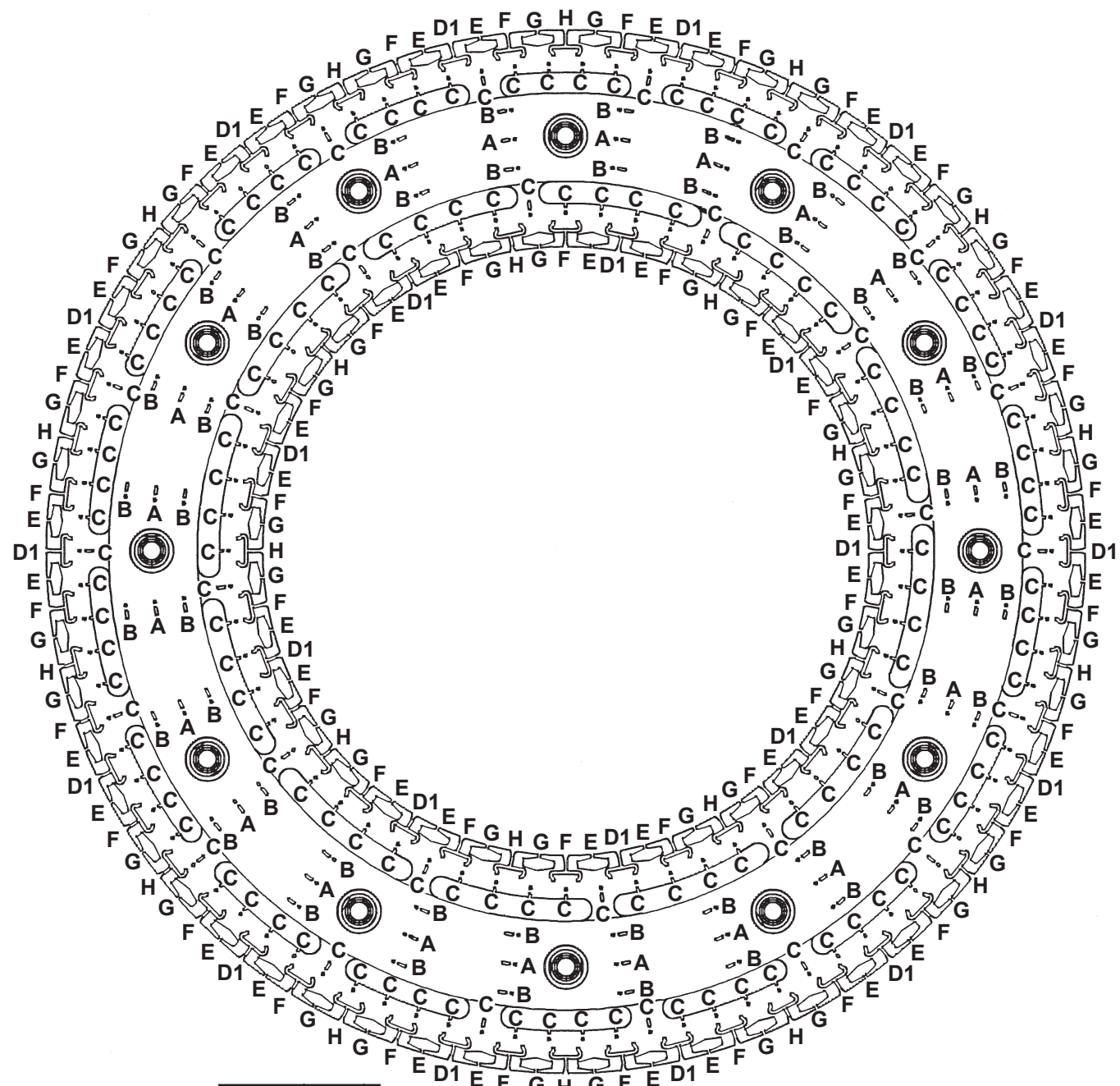
12 Lights  
Length: 24"  
Height: 8-1/2"  
Hanging Weight: 26lbs.

 **SCHONBEK** | 1870

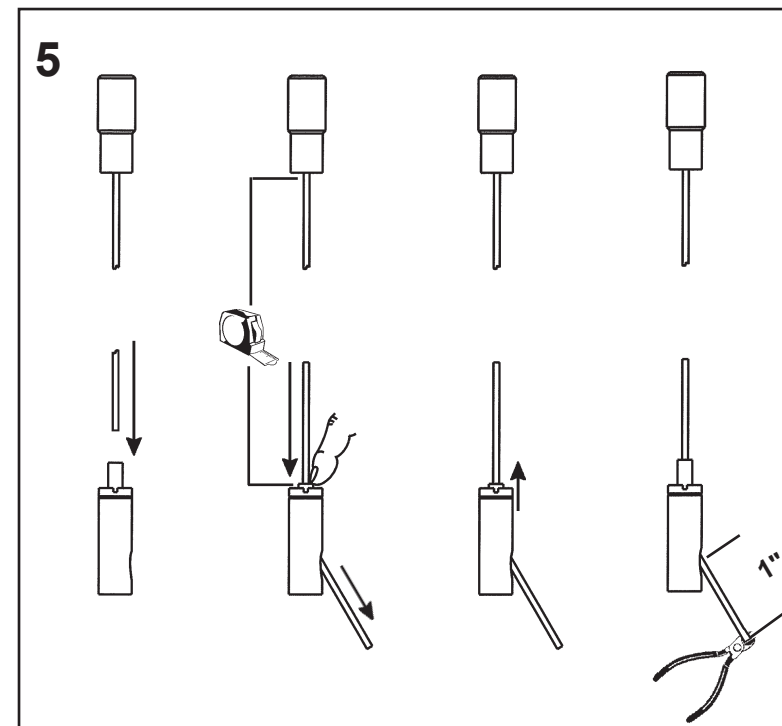
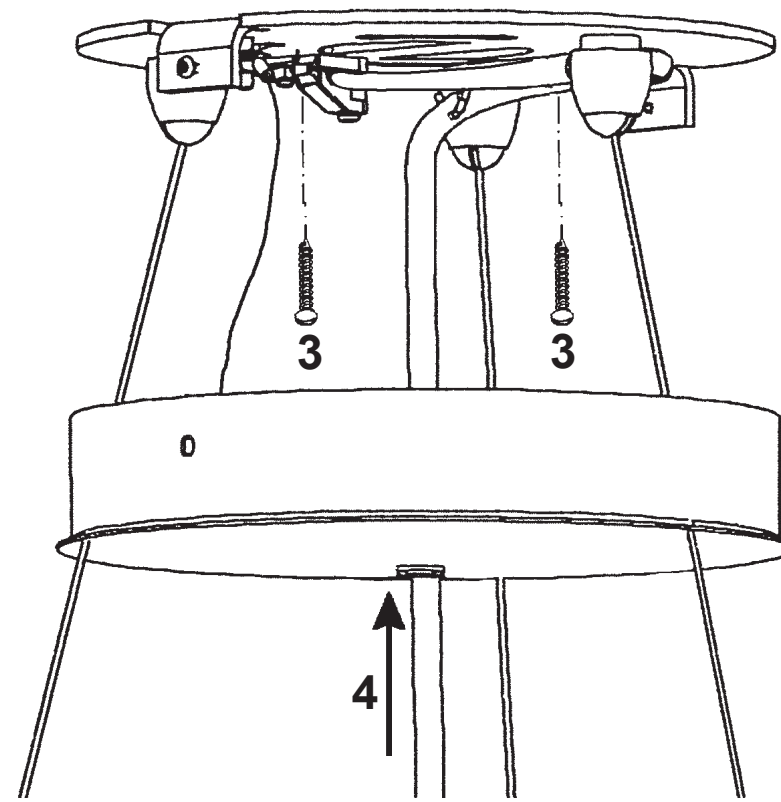
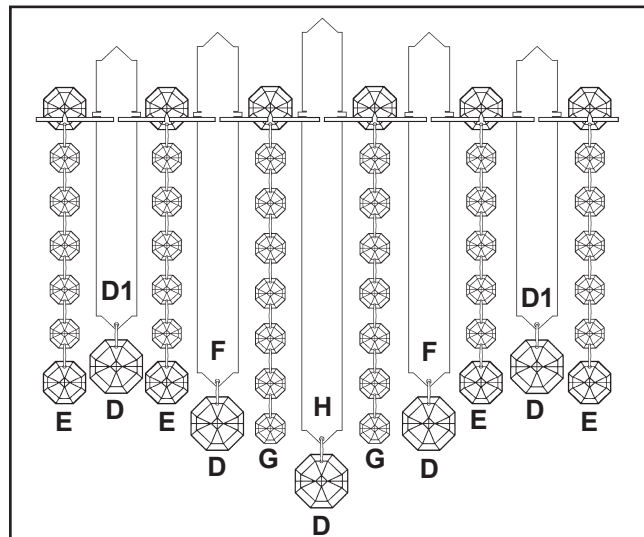
			<b>S</b>					
MAX <b>40</b> W	110-120 V							

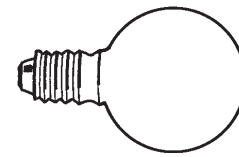
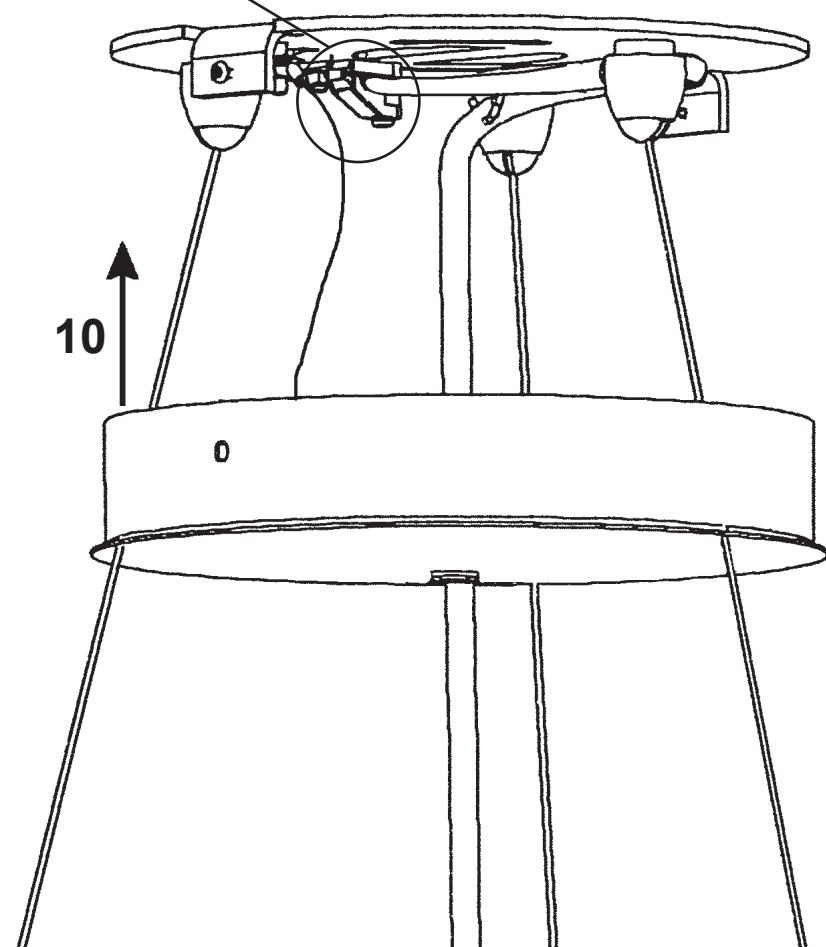
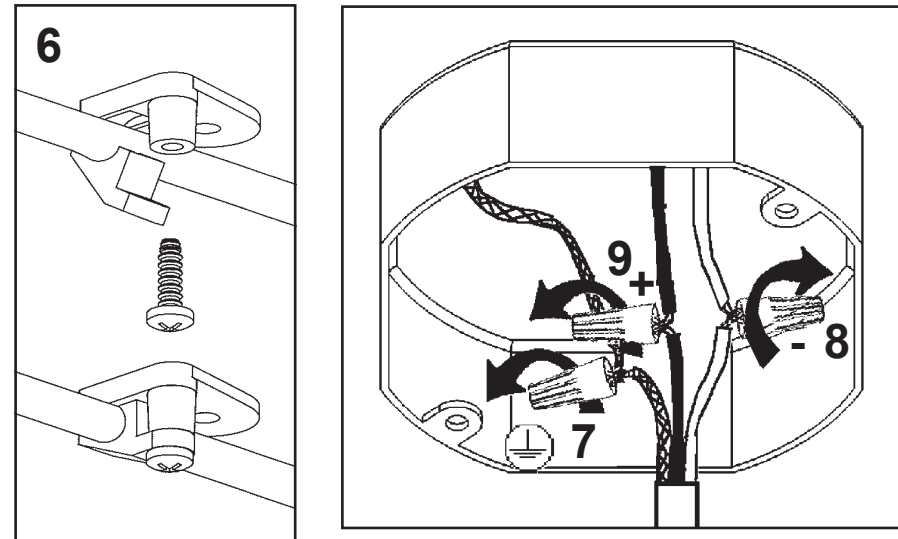
1 X  : 1746





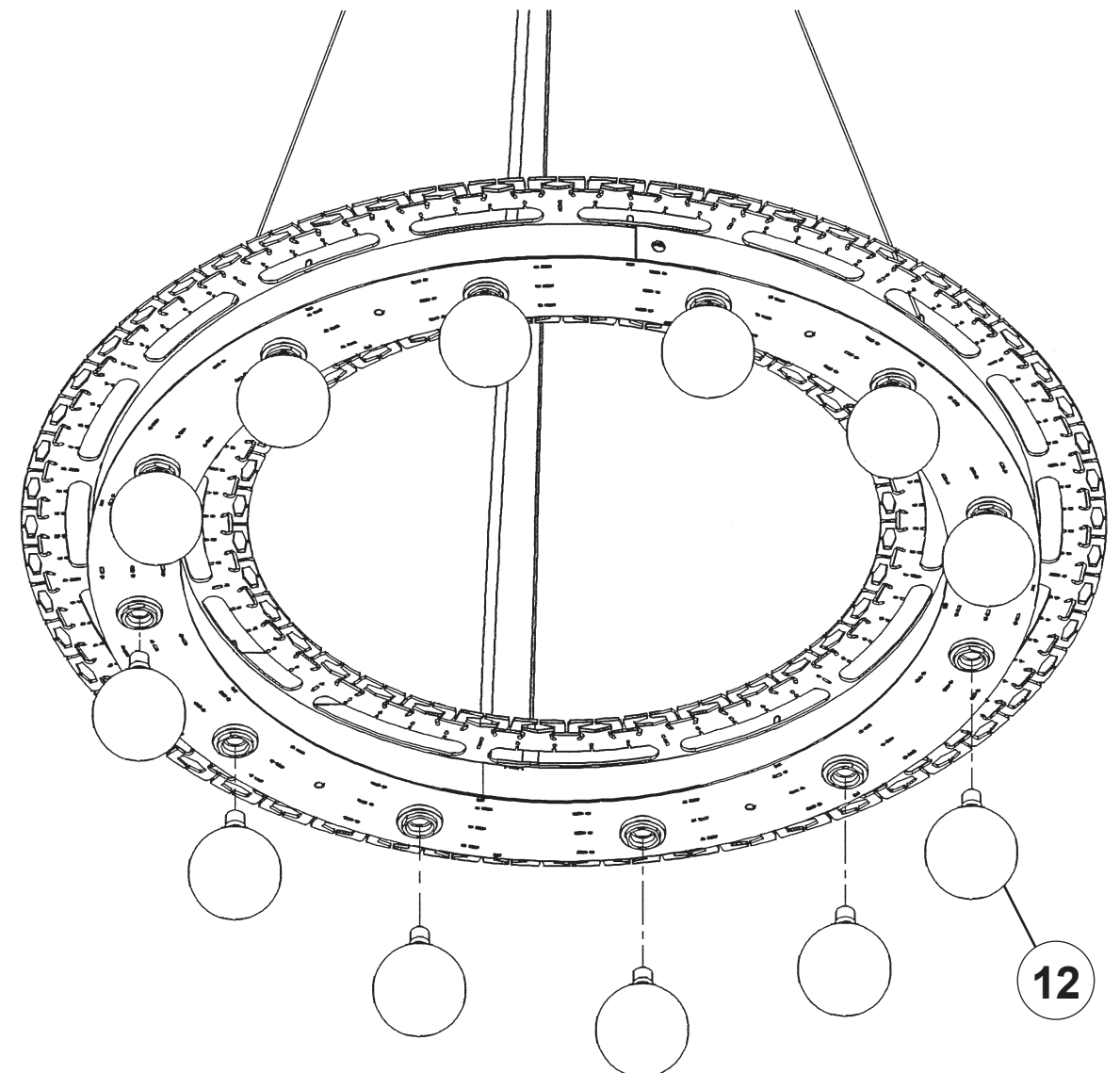
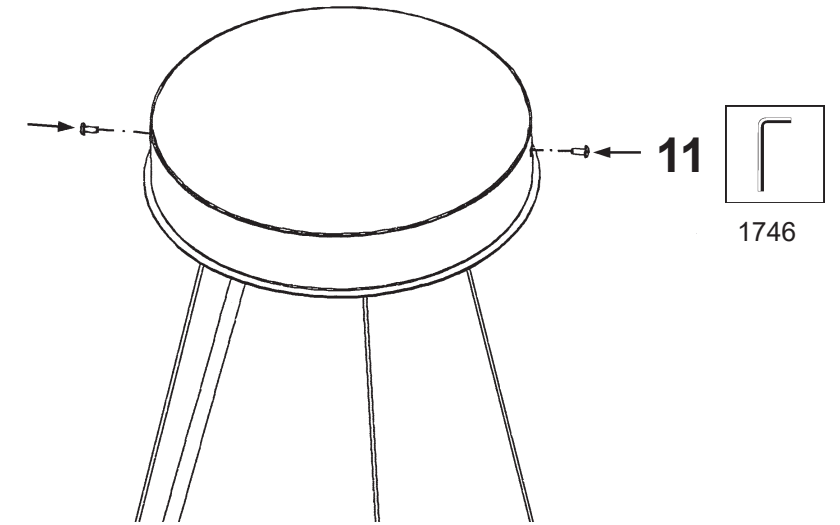
- 13 A
- 14 B
- 15 C
- 16 D1
- 17 E
- 18 F
- 19 G
- 20 H





You will need 12 - G16-1/2 Bulbs  
40 Watts Max

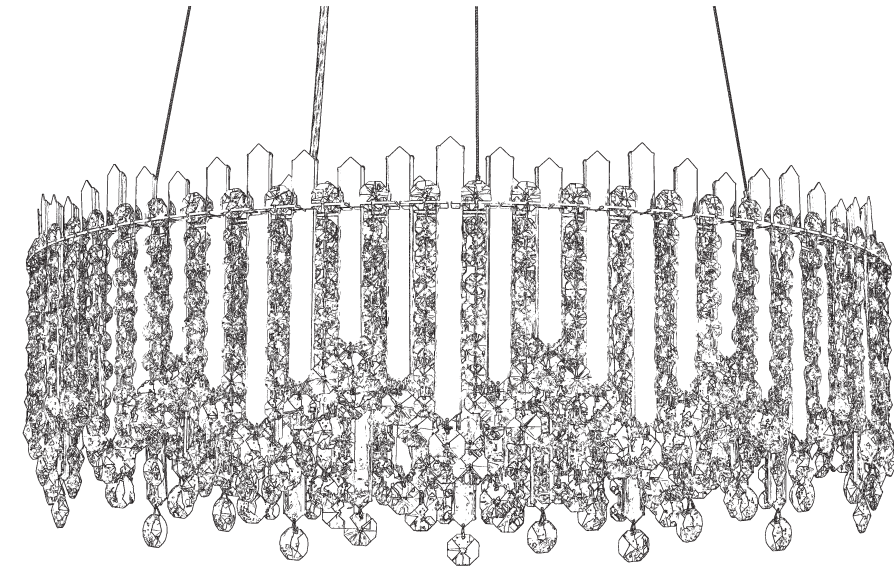
**Install bulbs and be sure to  
test fixture BEFORE trimming.**





 **SCHONBEK** | 1870











# CHATTER MX8343N- \_\_ \_\_ S



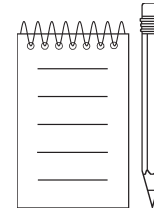
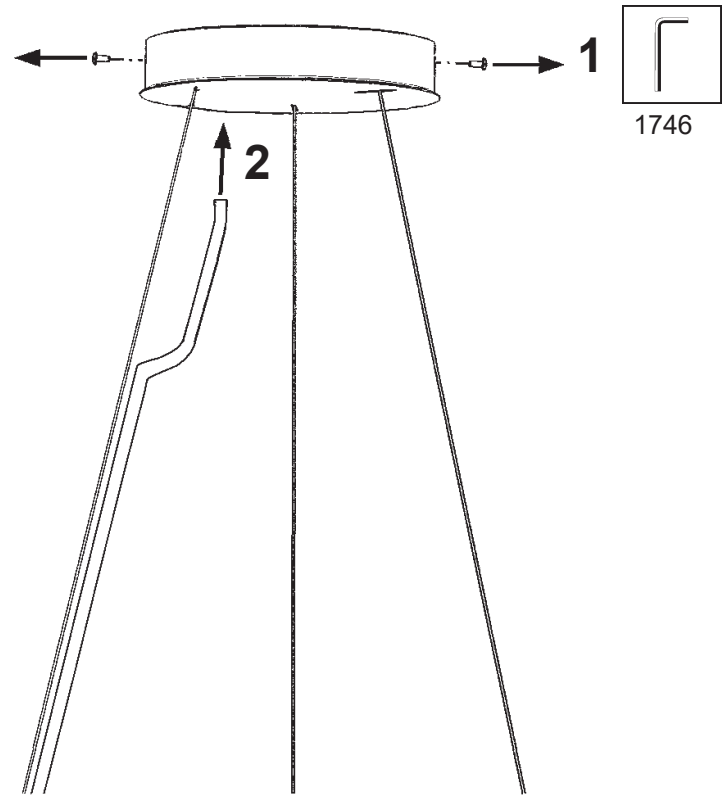
**T**HIS DESIGN IS THE PROPRIETARY  
TRADE DRESS/TRADEMARK OF  
W SCHONBEK LLC.

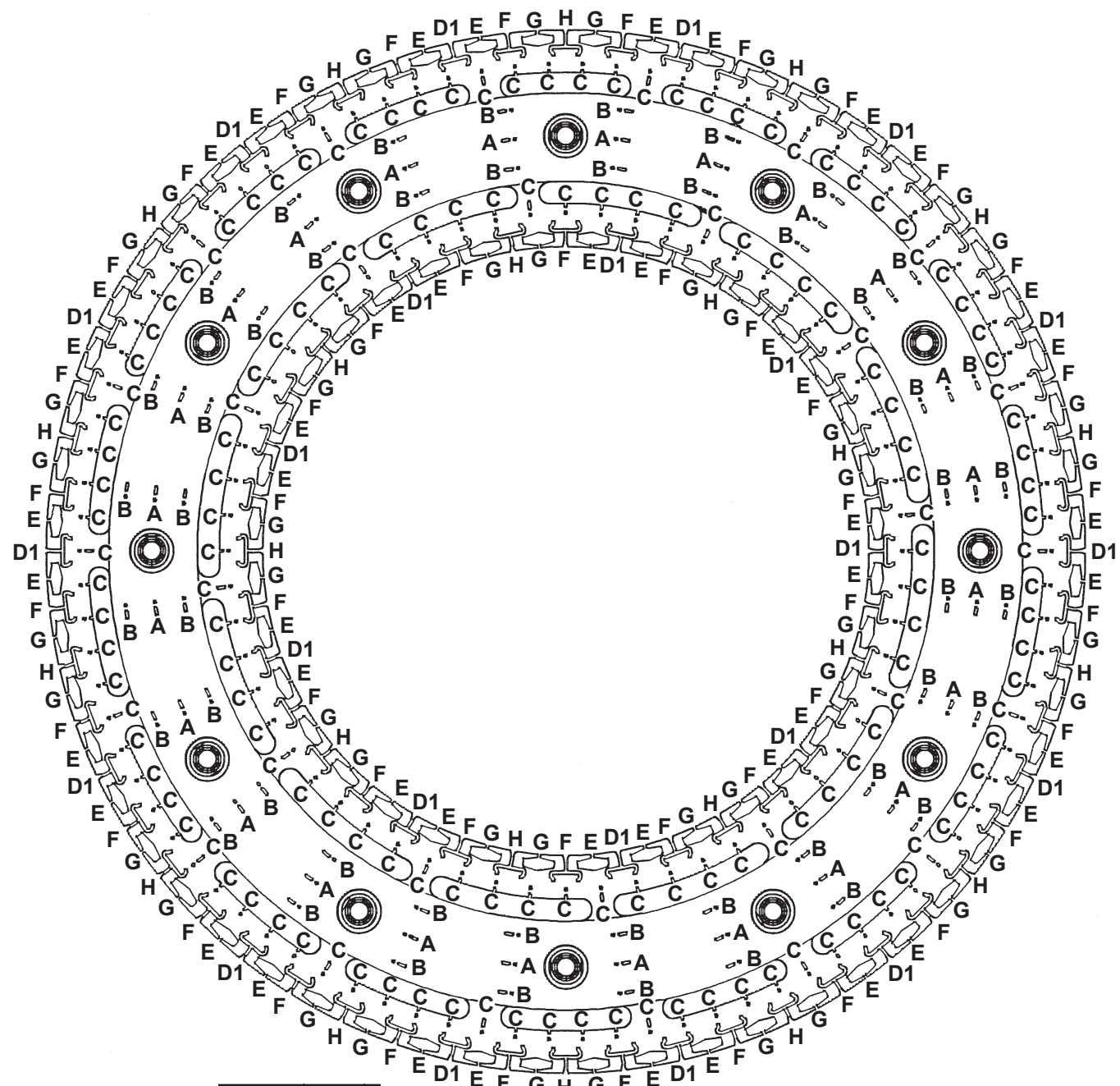
12 Lights  
Length: 24"  
Height: 8-1/2"  
Hanging Weight: 26lbs.

 **SCHONBEK** | 1870

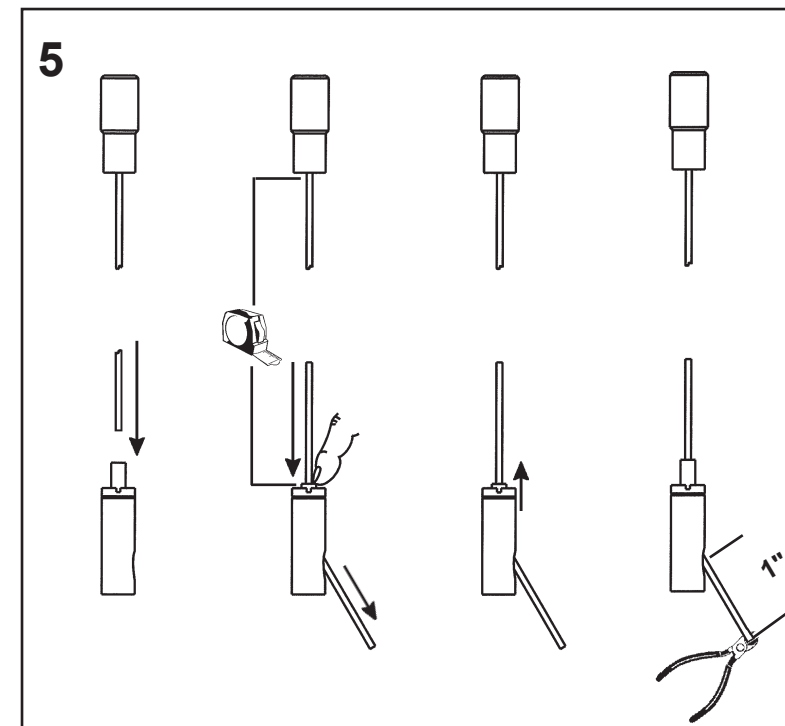
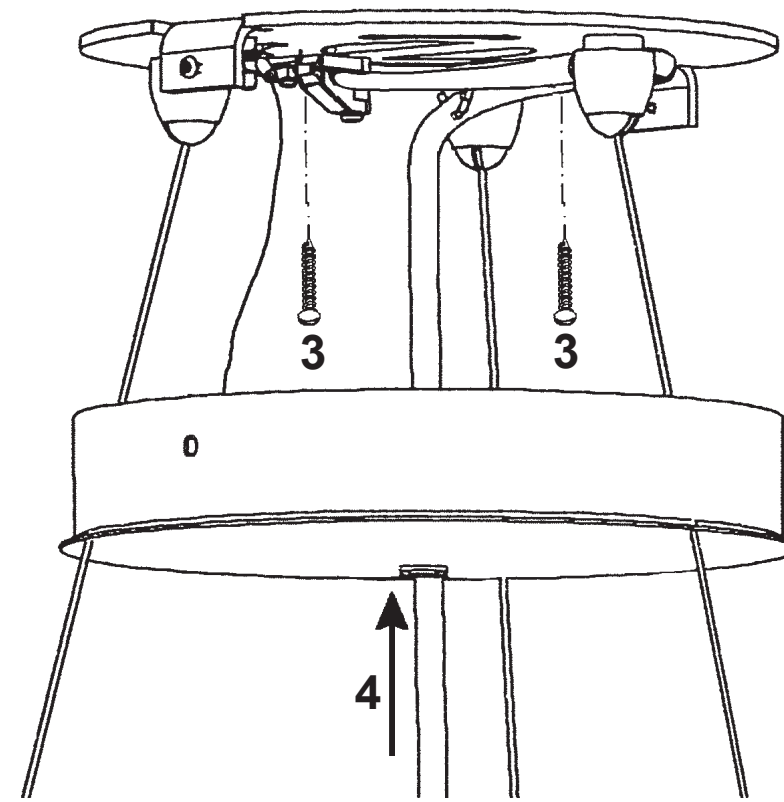
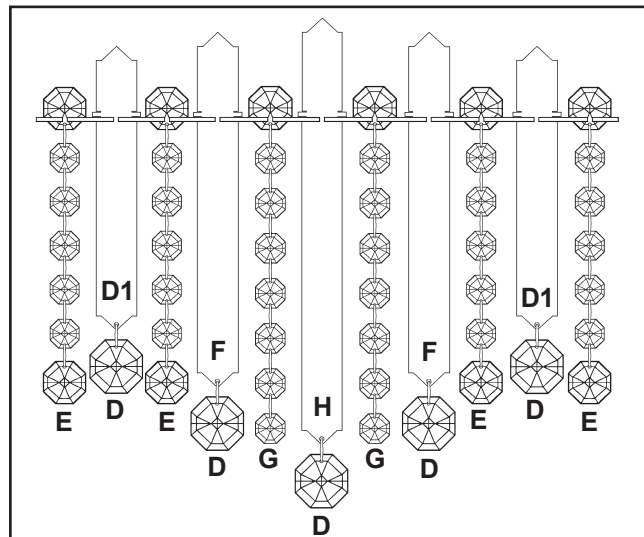
			<b>S</b>							
MAX <b>40</b> W	110-120 V									

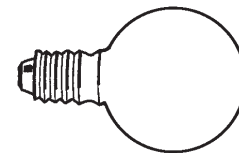
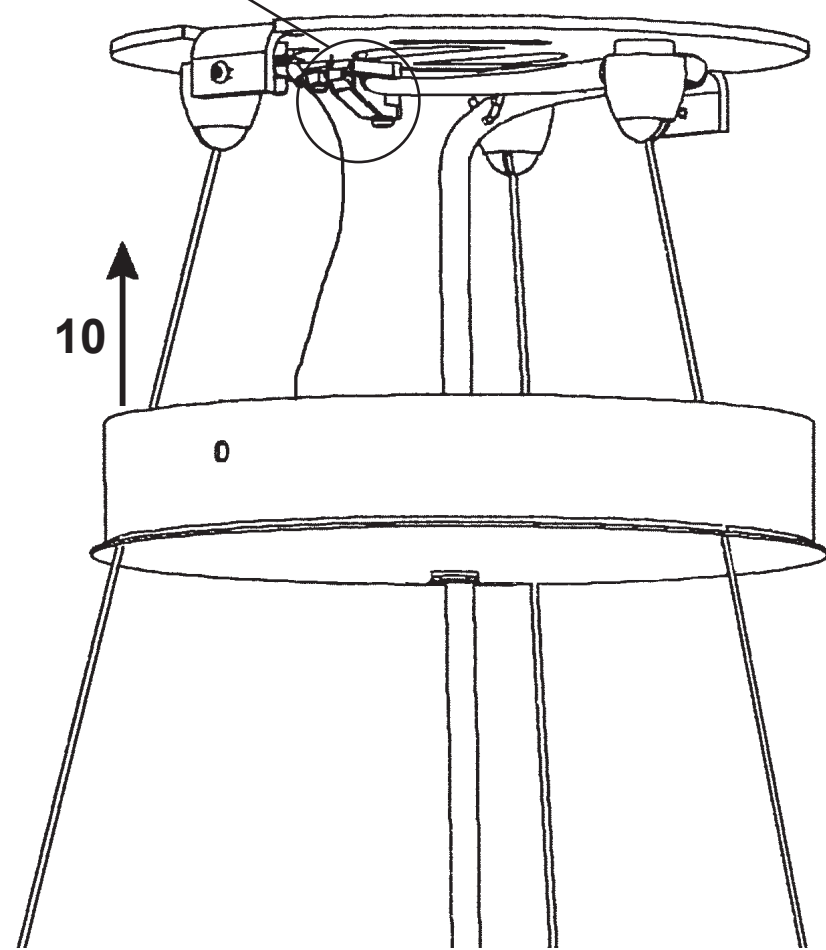
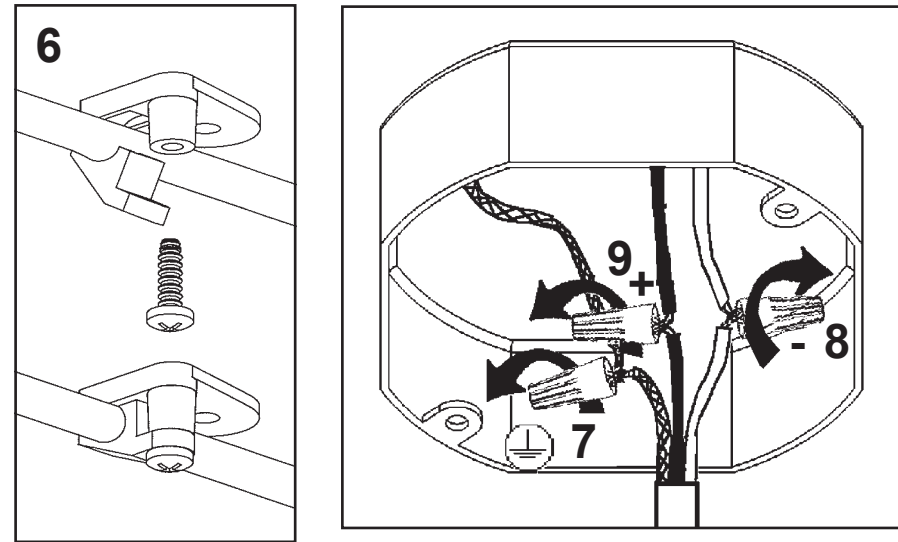
1 X  : 1746





- 13 A
- 14 B
- 15 C
- 16 D1
- 17 E
- 18 F
- 19 G
- 20 H





You will need 12 - G16-1/2 Bulbs  
40 Watts Max

Install bulbs and be sure to  
test fixture **BEFORE** trimming.

