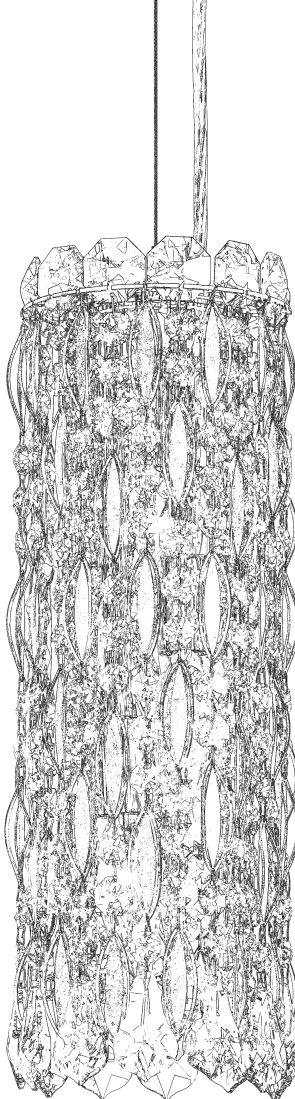


SARELLA RS8341N-__ __H













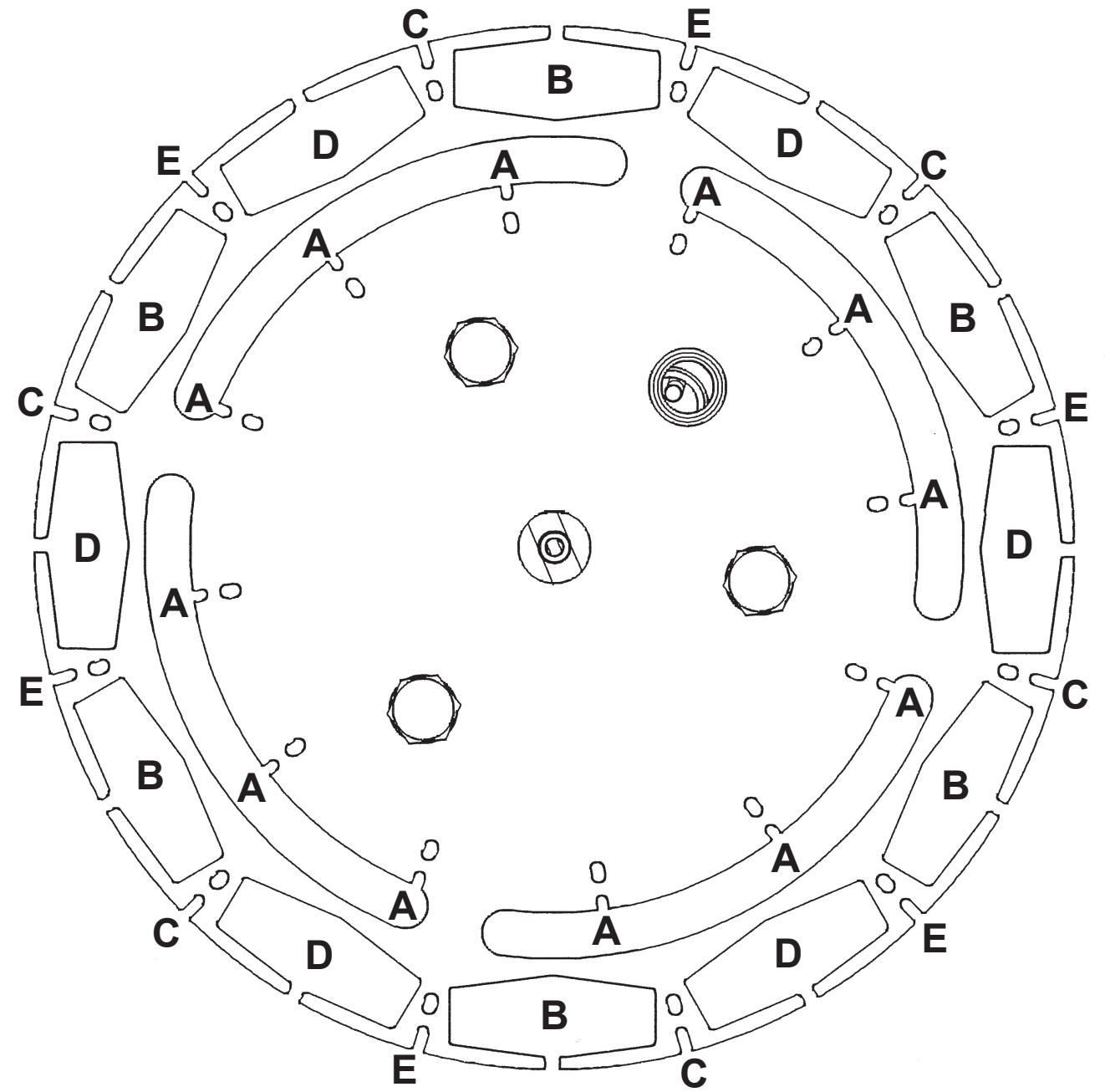
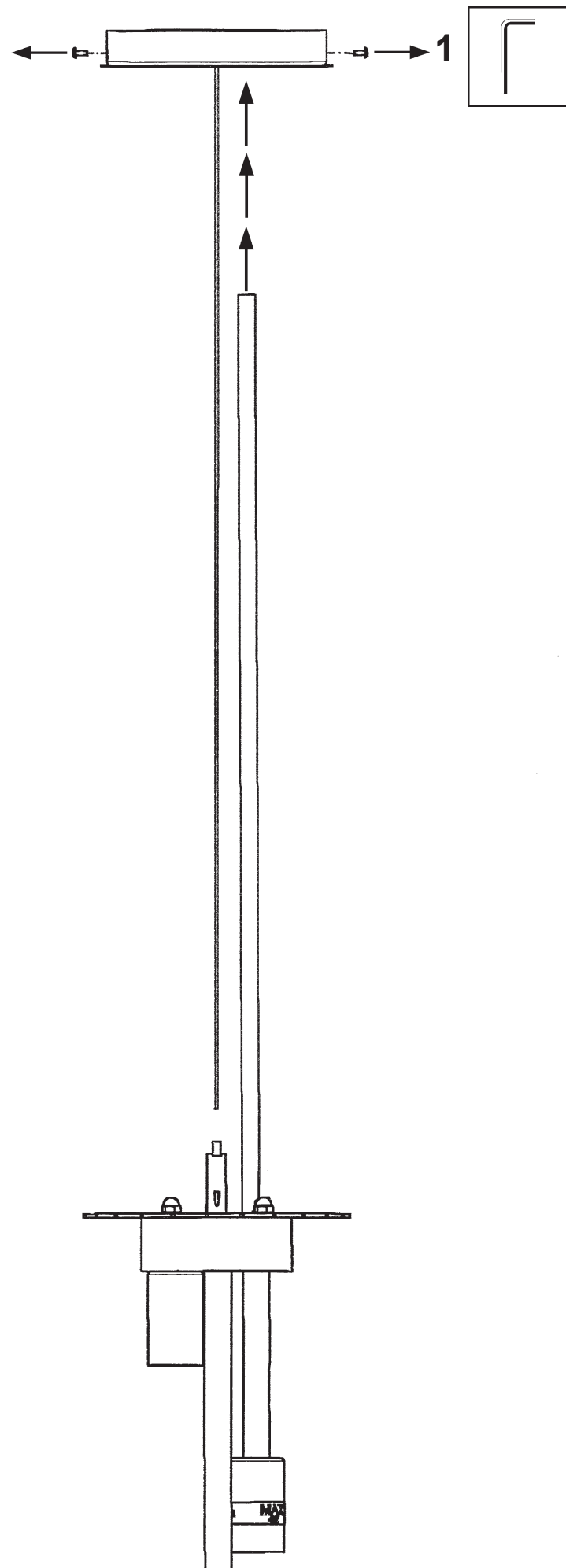
3 Lights
Diameter: 5"
Height: 15"
Hanging Weight: 4lbs.

THIS DESIGN IS THE PROPRIETARY
TRADE DRESS/TRADEMARK OF
W SCHONBEK LLC.

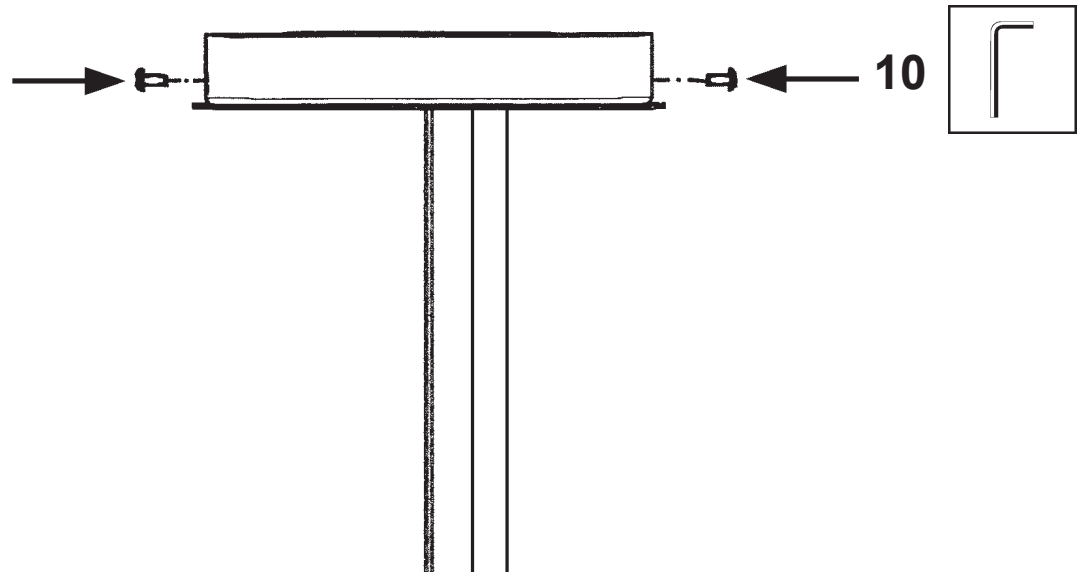
 **SCHONBEK** | 1870


 **SCHONBEK** | 1870

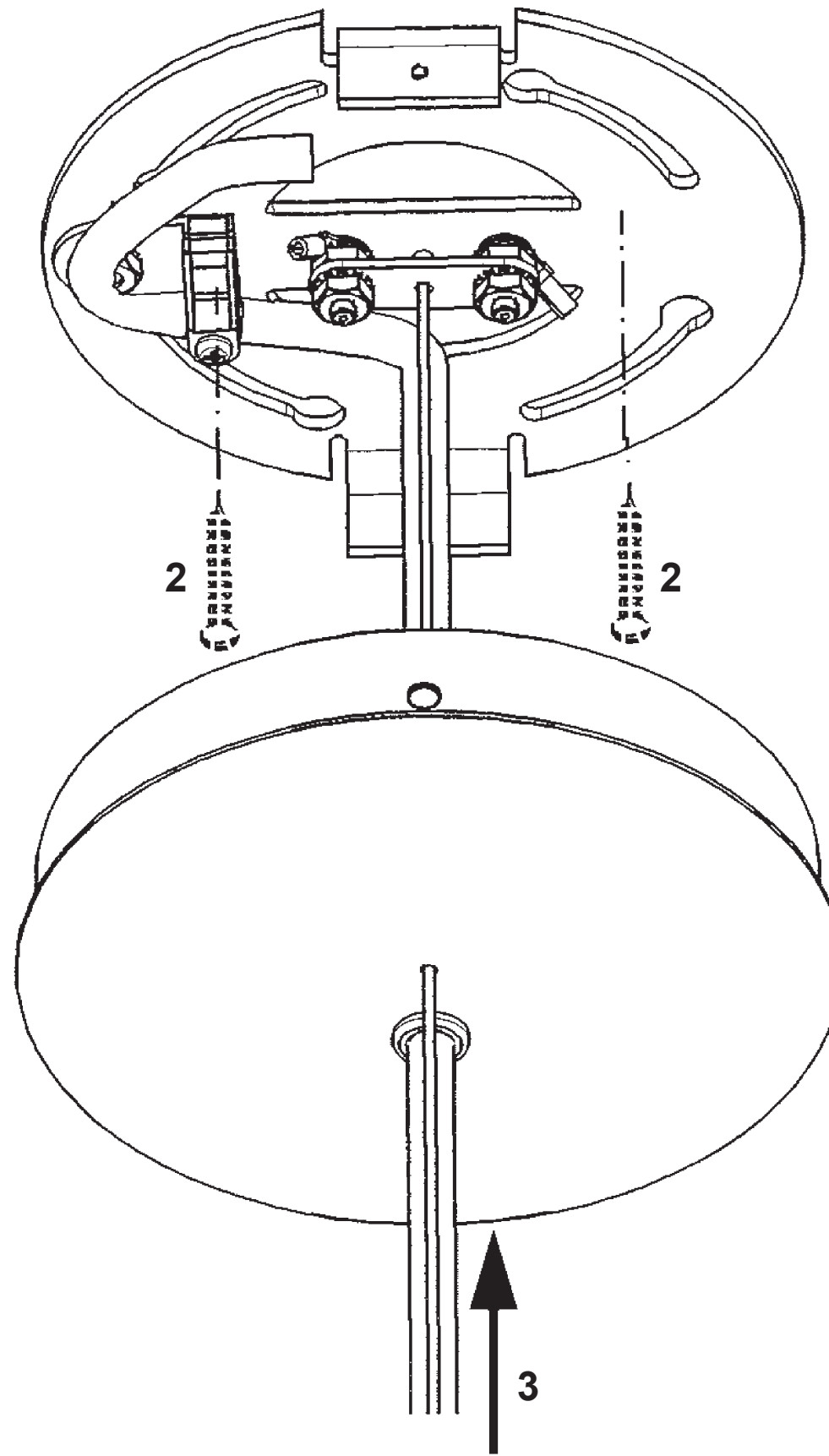
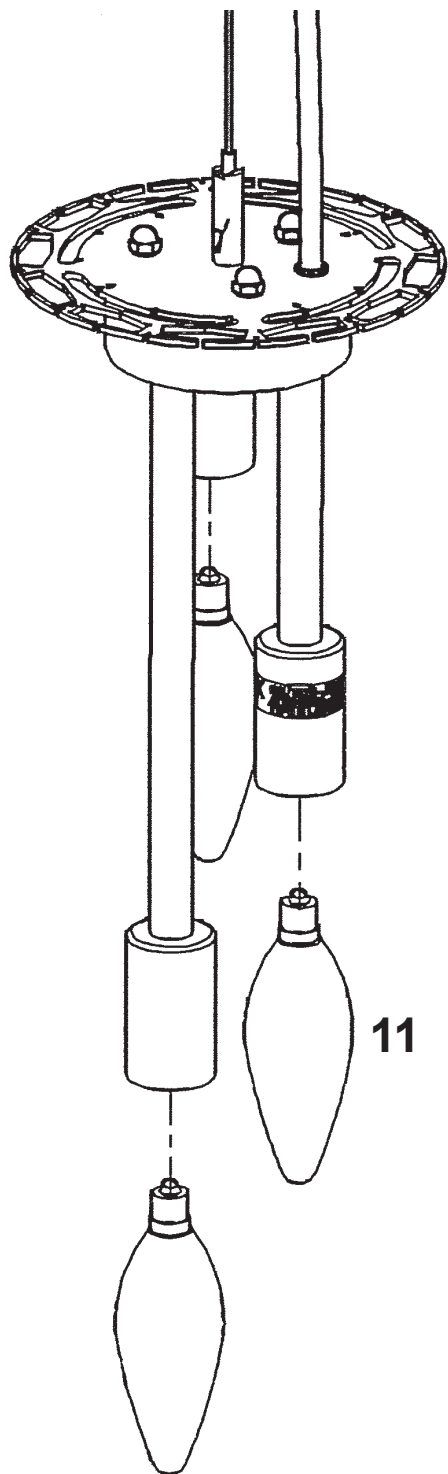
								
MAX <u>40</u> W		110-120 V						

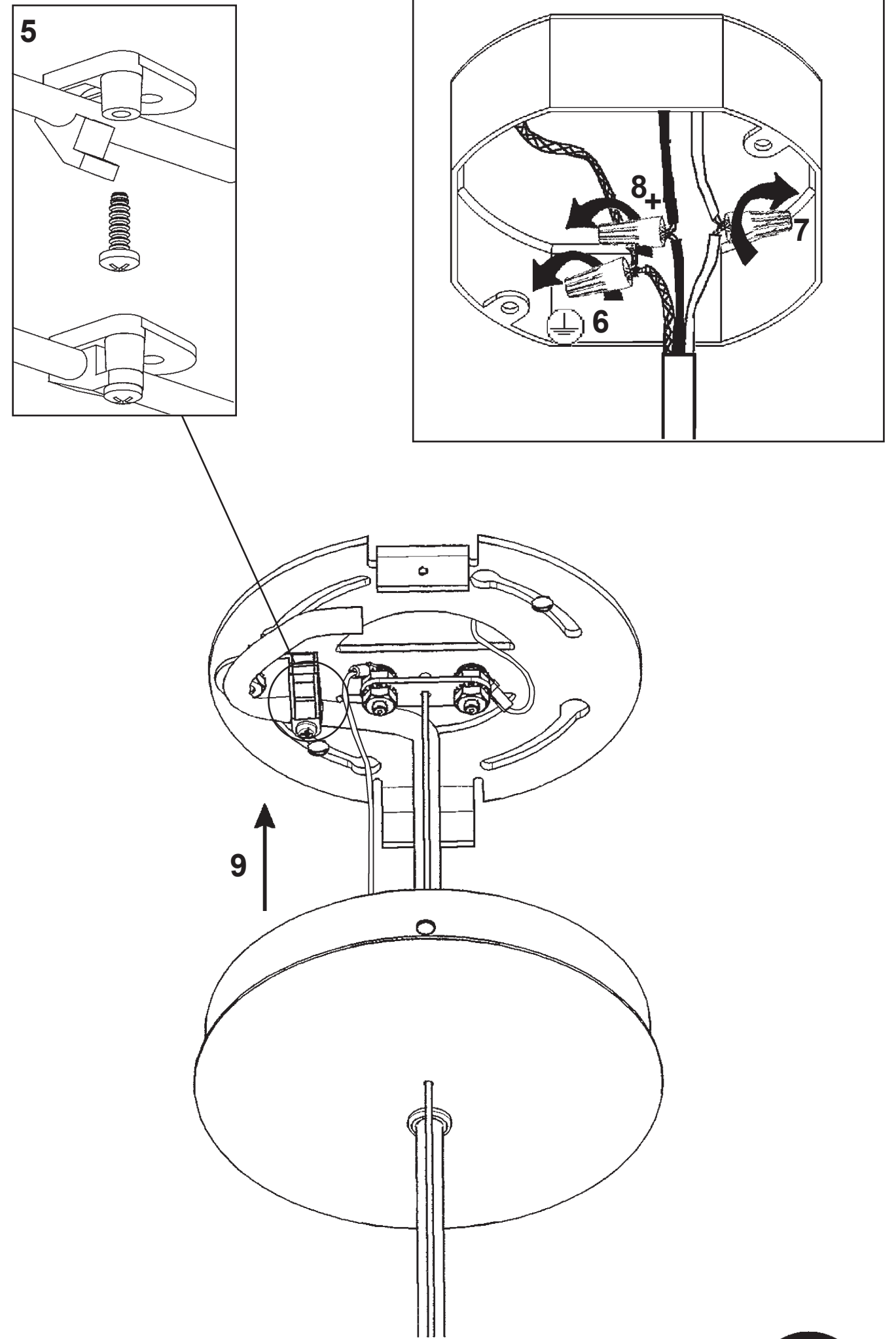
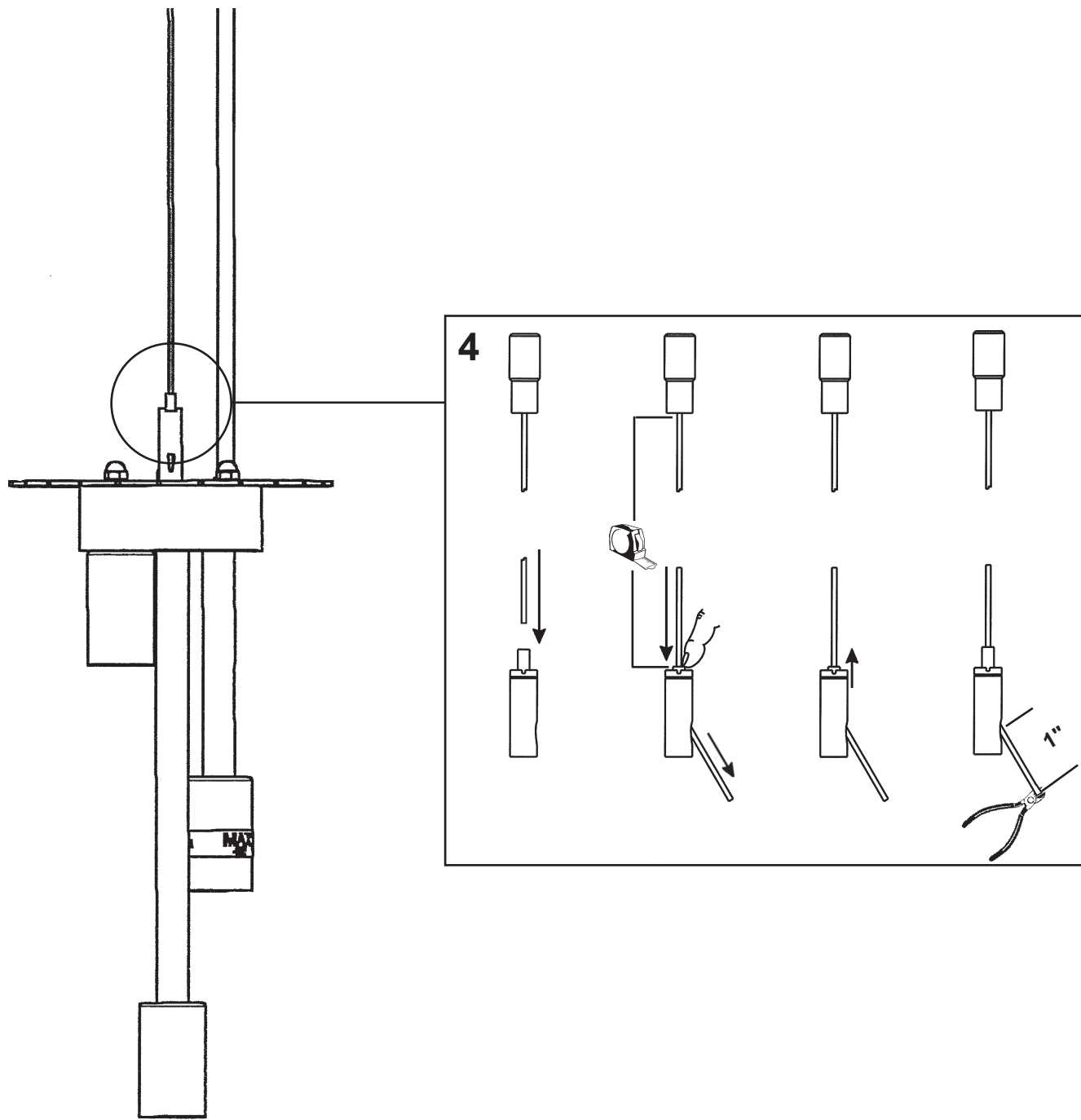


- 12 A
- 13 B
- 14 C
- 15 D
- 16 E

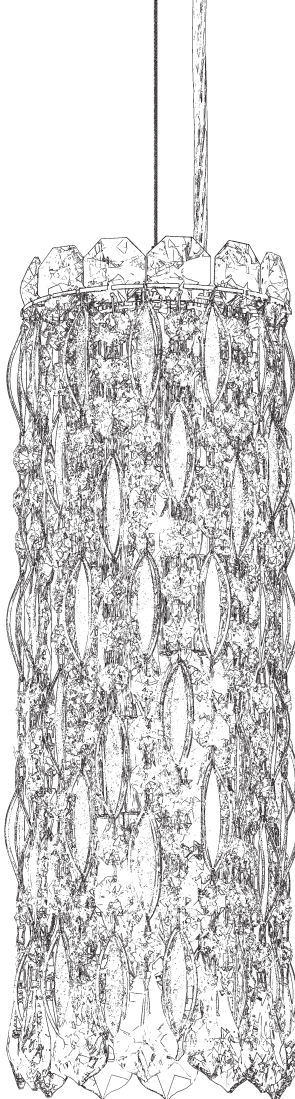



 You will need 3 - B10
 40 Watts Max
**Install bulbs and be sure
 to test fixture BEFORE
 trimming.**





SARELLA RS8341N-__ __R














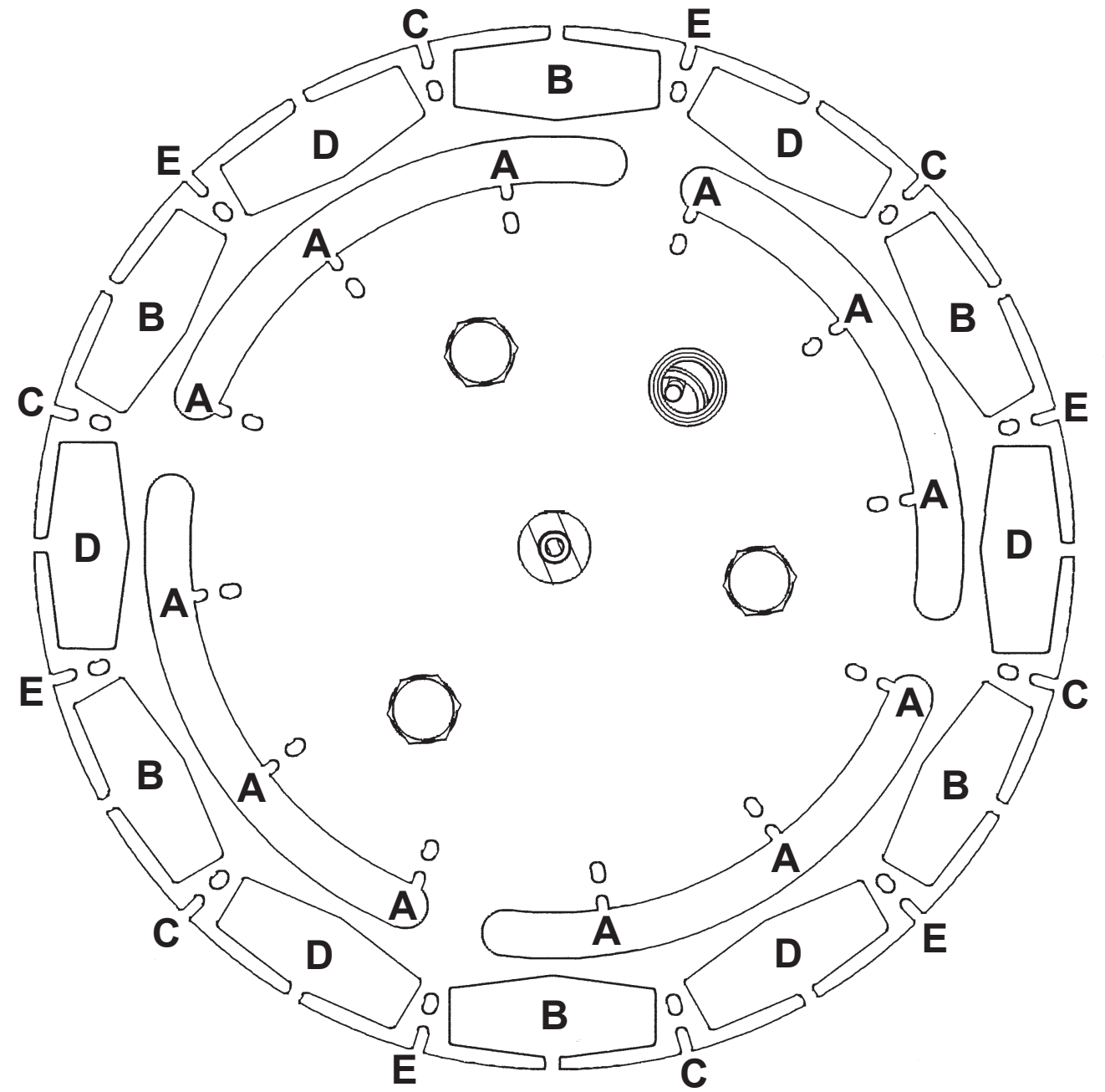
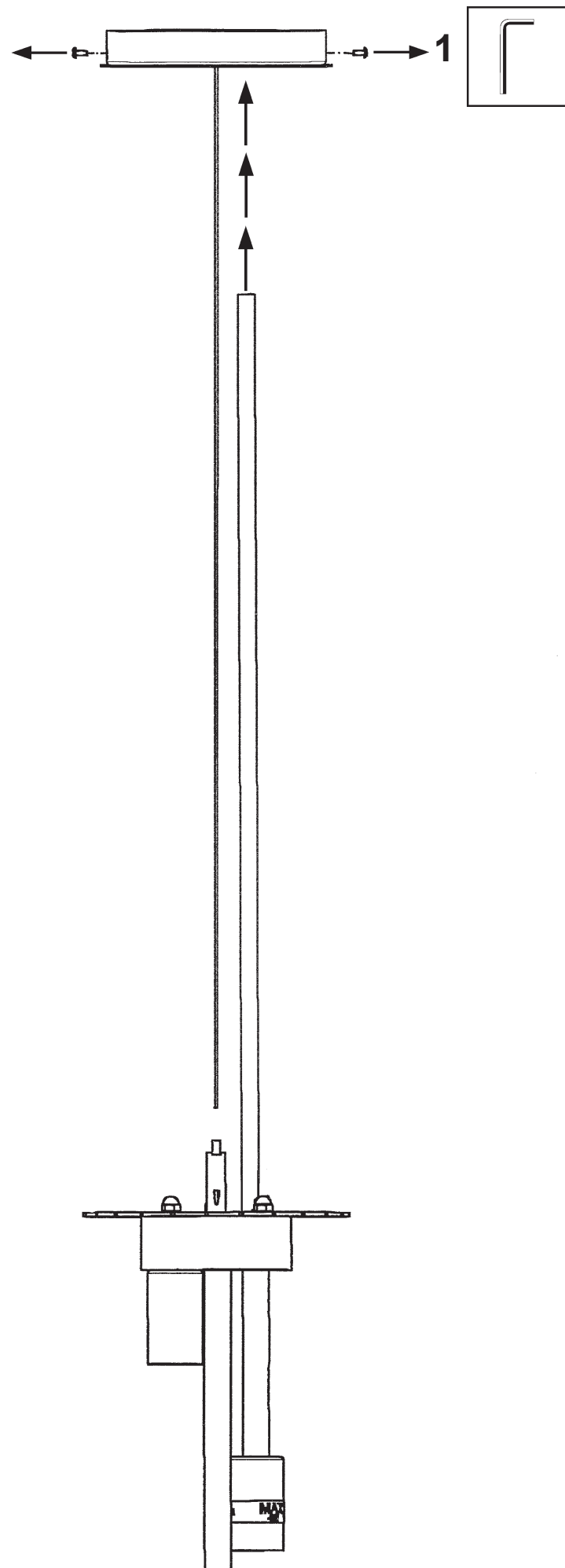
THIS DESIGN IS THE PROPRIETARY TRADE DRESS/TRADEMARK OF W SCHONBEK LLC.

3 Lights
Diameter: 5"
Height: 15"
Hanging Weight: 4lbs.

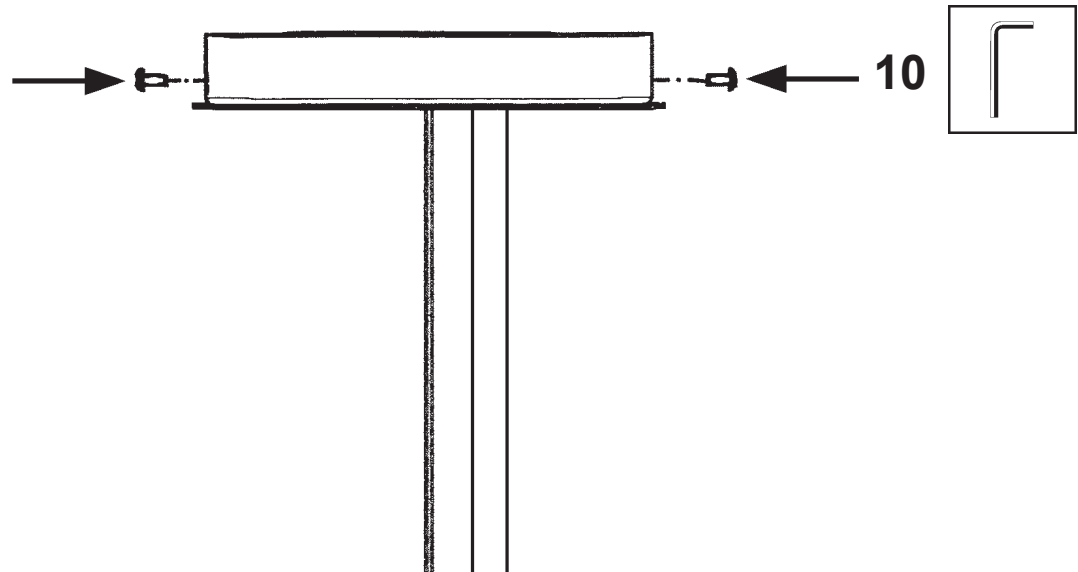
 **SCHONBEK** | 1870


 **SCHONBEK** | 1870

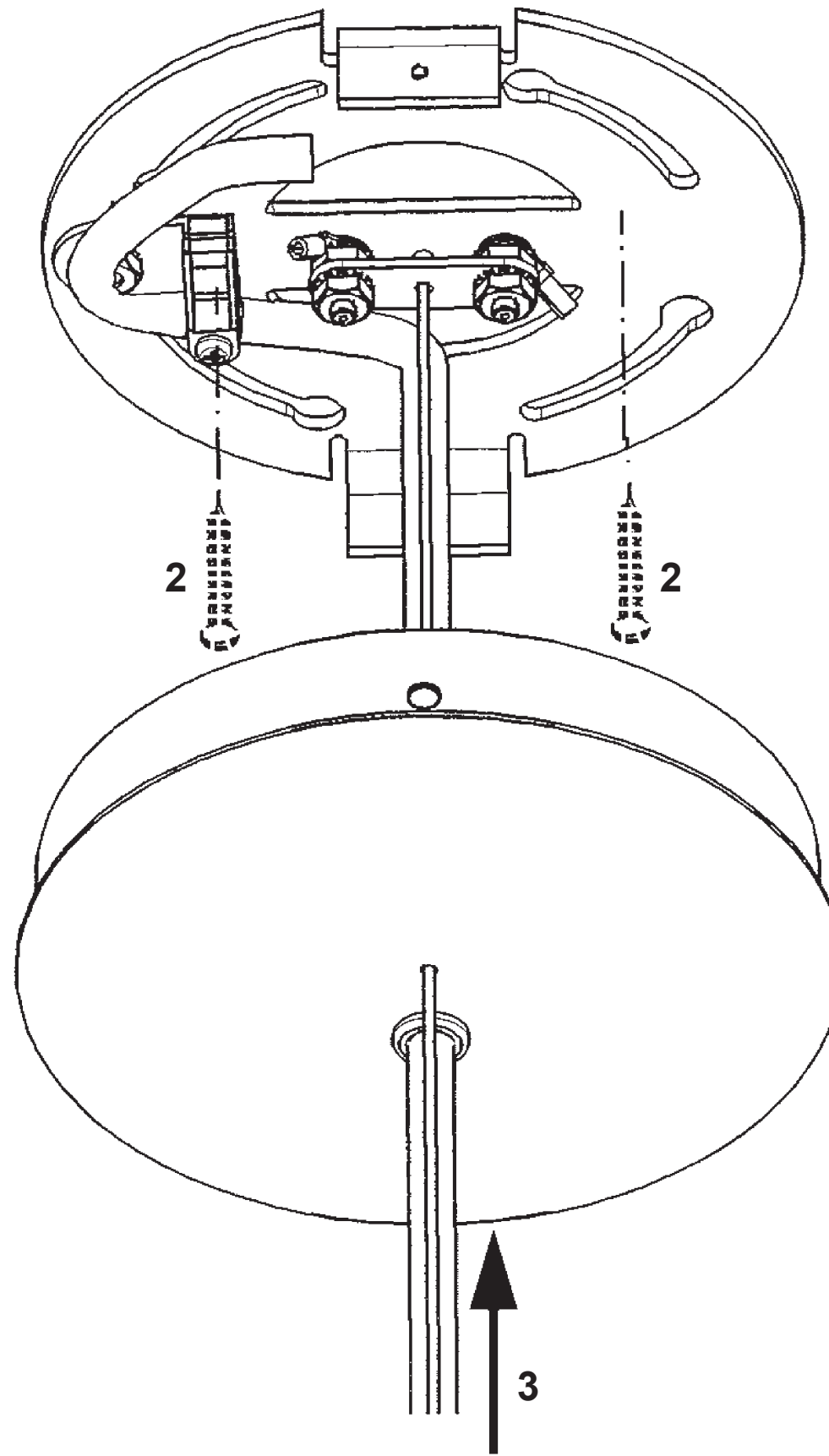
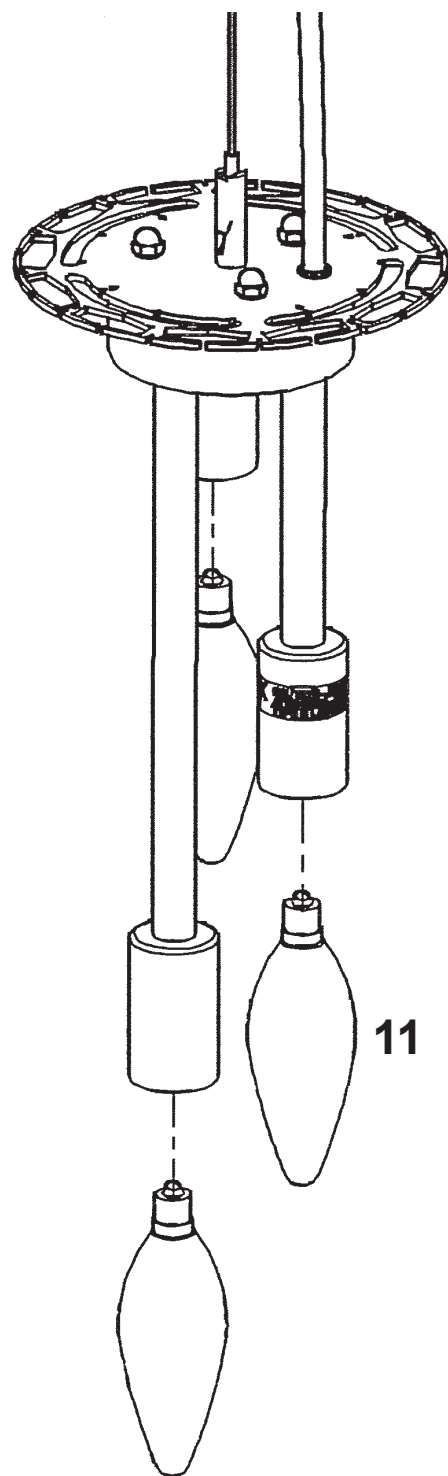
									
MAX 40 W		110-120 V							

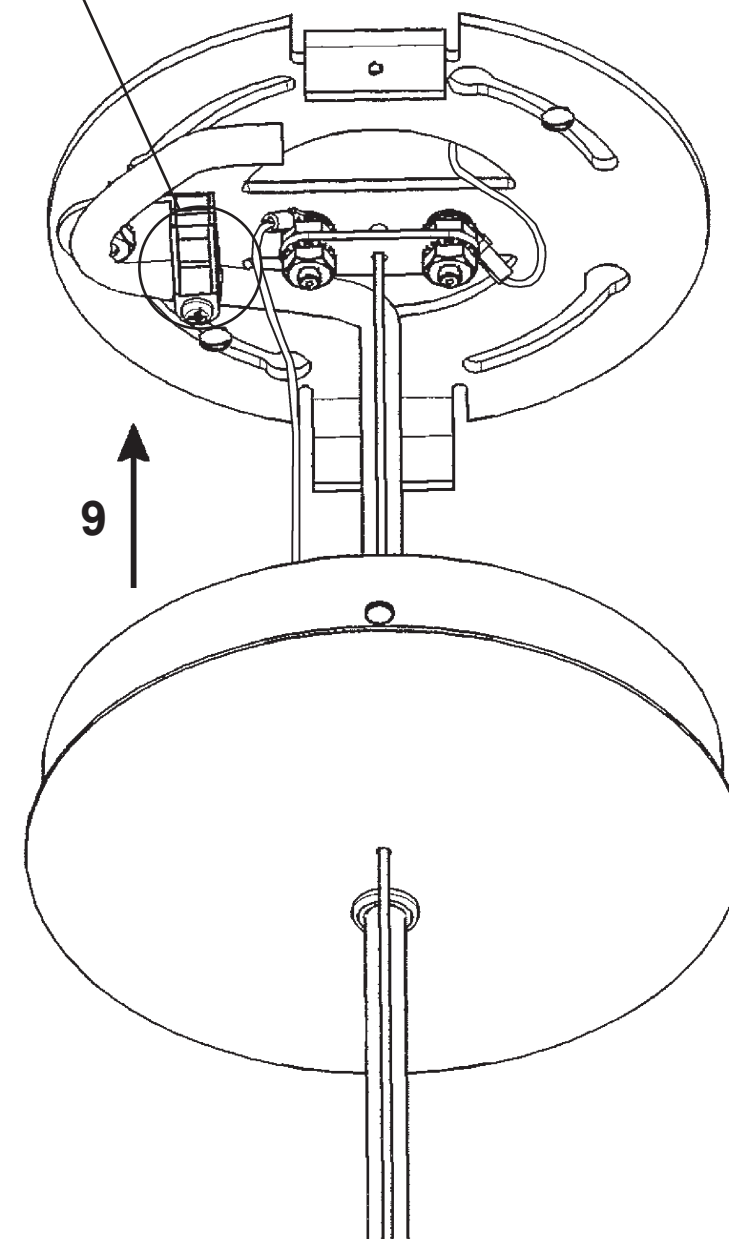
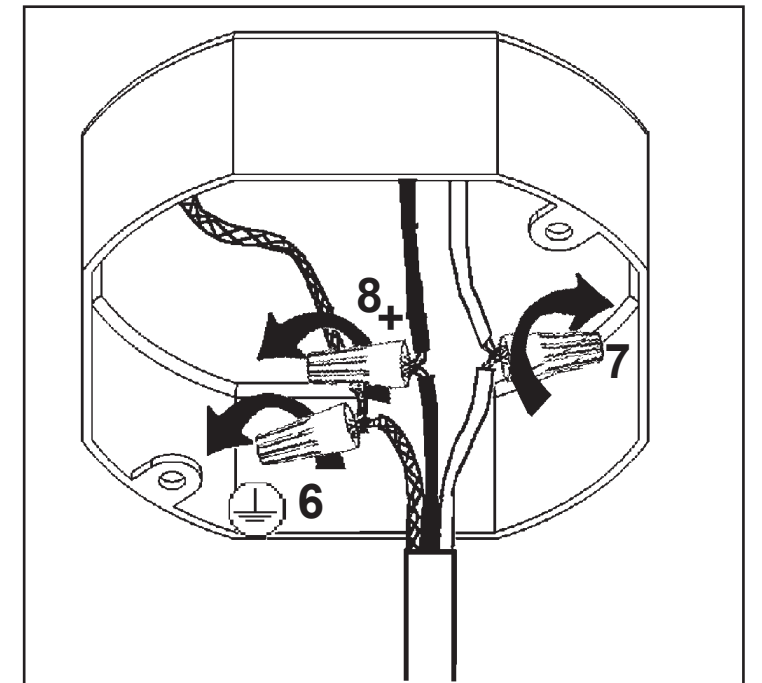
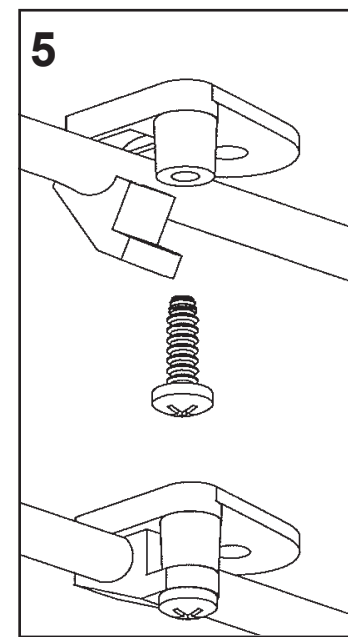
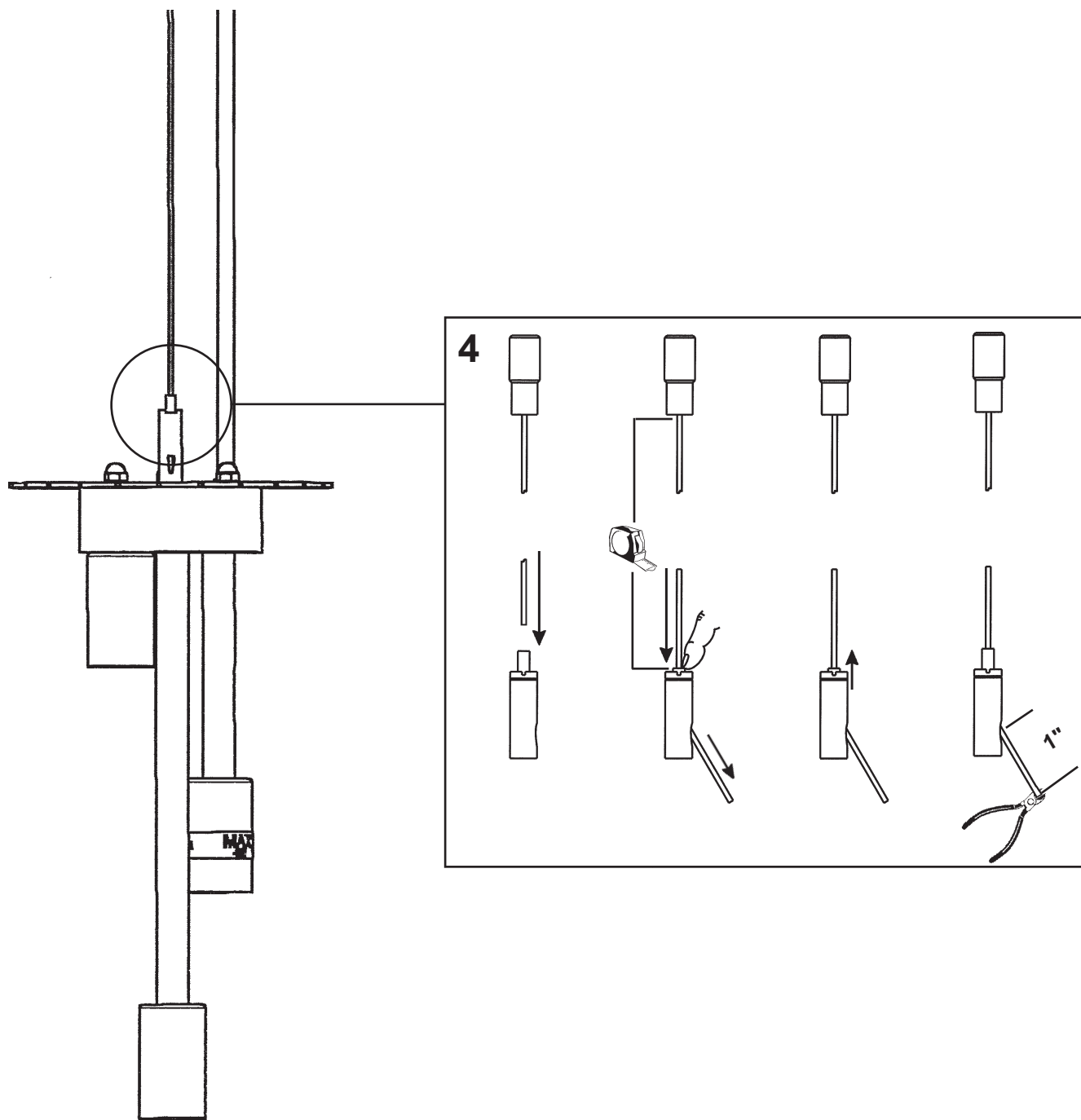


- 12 A
- 13 B
- 14 C
- 15 D
- 16 E

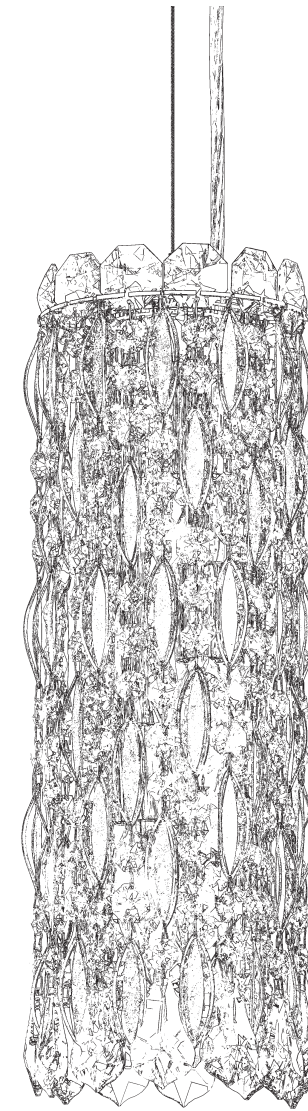



You will need 3 - B10
40 Watts Max
**Install bulbs and be sure
to test fixture BEFORE
trimming.**





SARELLA RS8341N-__ __S













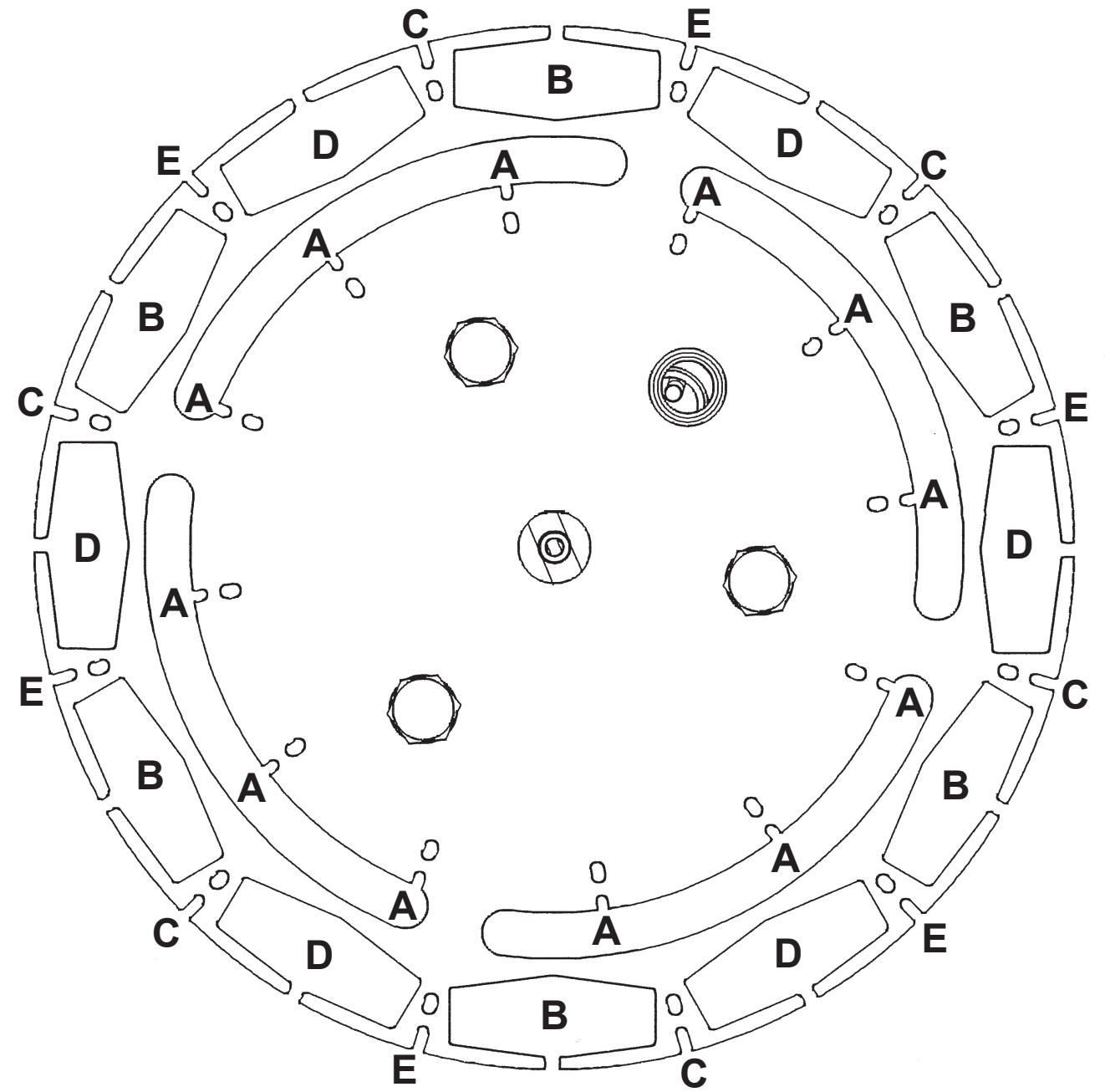
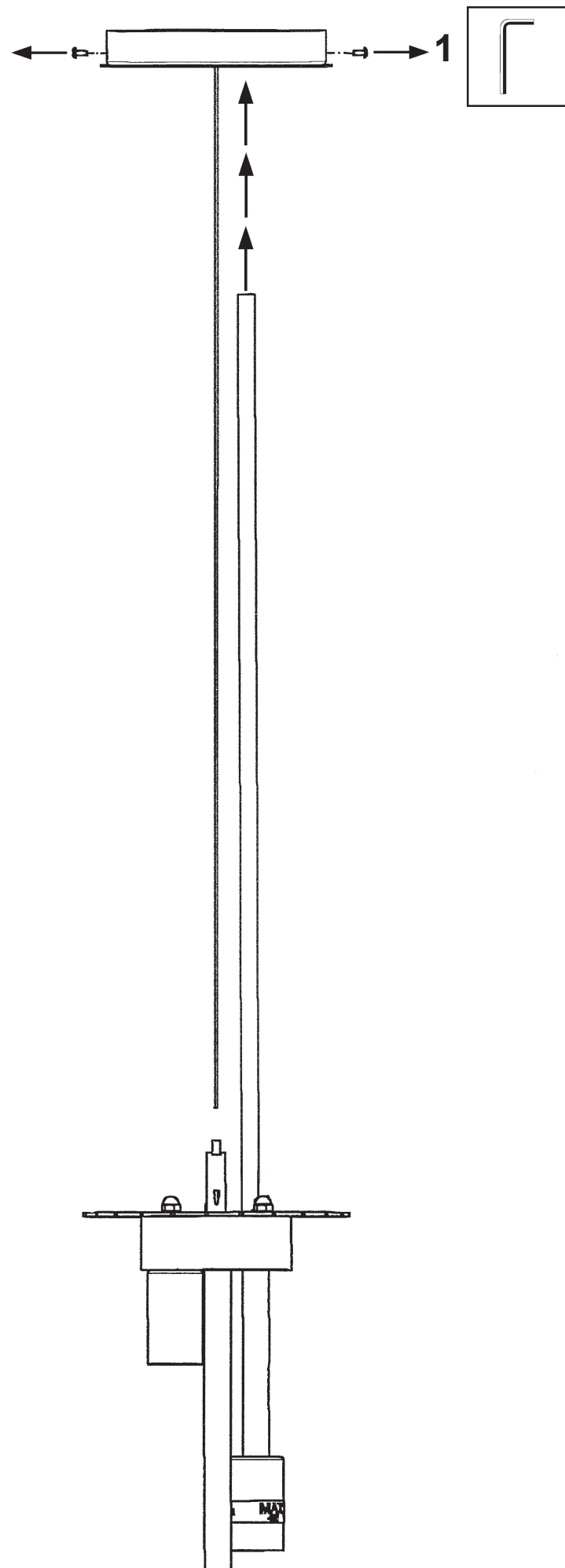
3 Lights
Diameter: 5"
Height: 15"
Hanging Weight: 4lbs.

THIS DESIGN IS THE PROPRIETARY
TRADE DRESS/TRADEMARK OF
W SCHONBEK LLC.

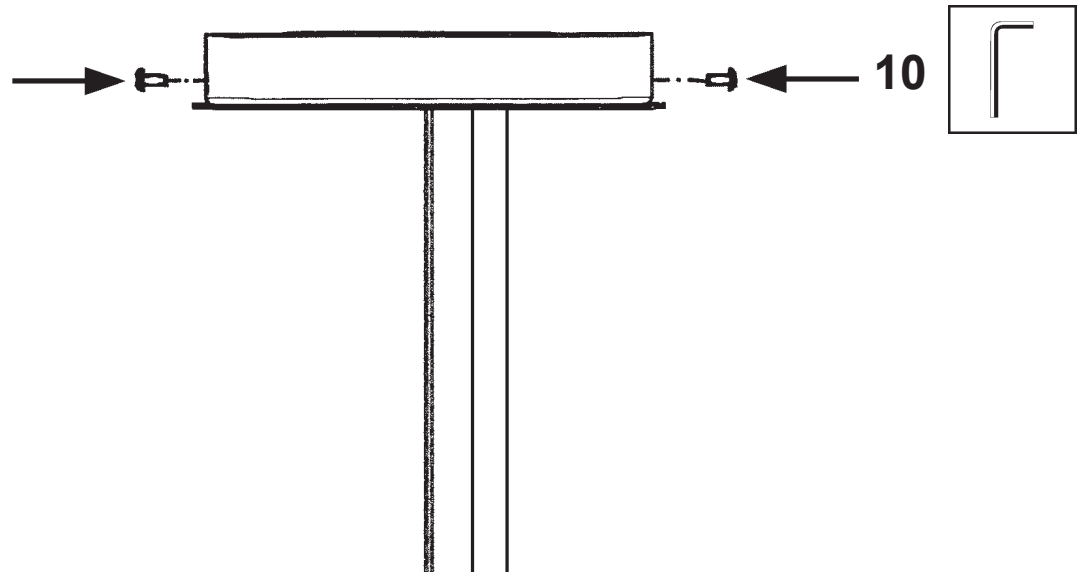
 **SCHONBEK** | 1870


 **SCHONBEK** | 1870

								
MAX 40 W	110-120 V							



12	A
13	B
14	C
15	D
16	E




 You will need 3 - B10
 40 Watts Max
**Install bulbs and be sure
 to test fixture BEFORE
 trimming.**

