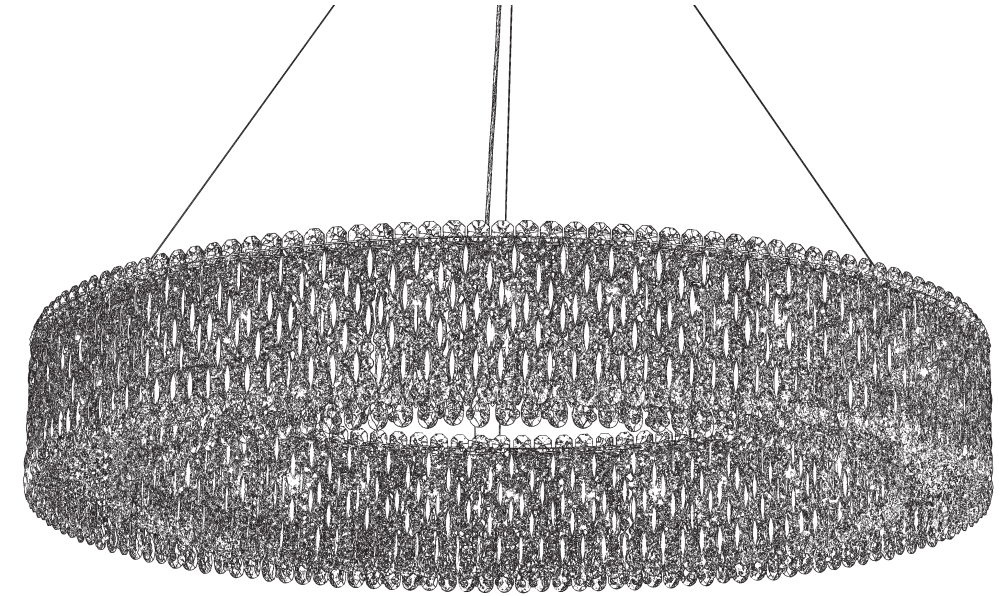


 **SCHONBEK** | 1870










SARELLA
RS8351N- __ __ H



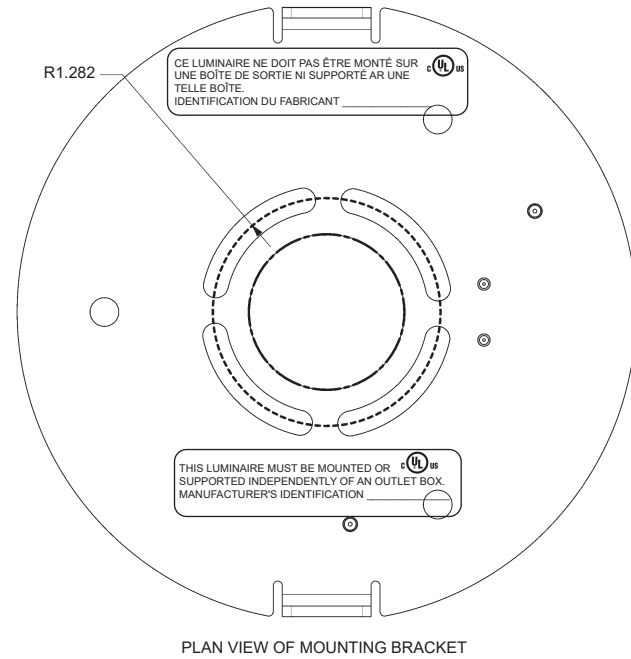
THIS DESIGN IS THE PROPRIETARY
TRADE DRESS/TRADEMARK OF
W SCHONBEK LLC.

32 Lights
Length: 59"
Height: 10"
Hanging Weight: 91lbs.

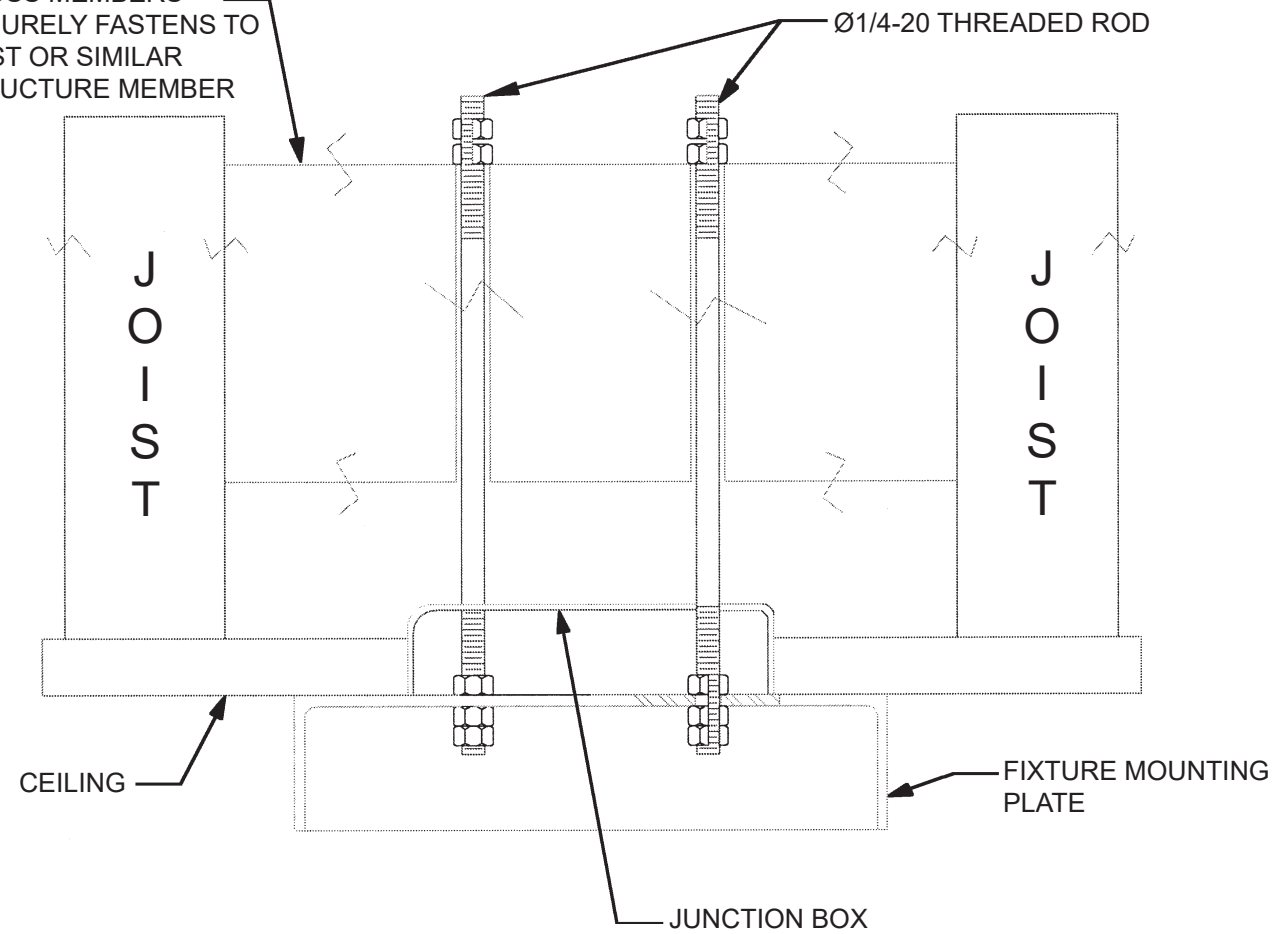
 **SCHONBEK** | 1870

			S					
MAX 40 W	110-120 V							

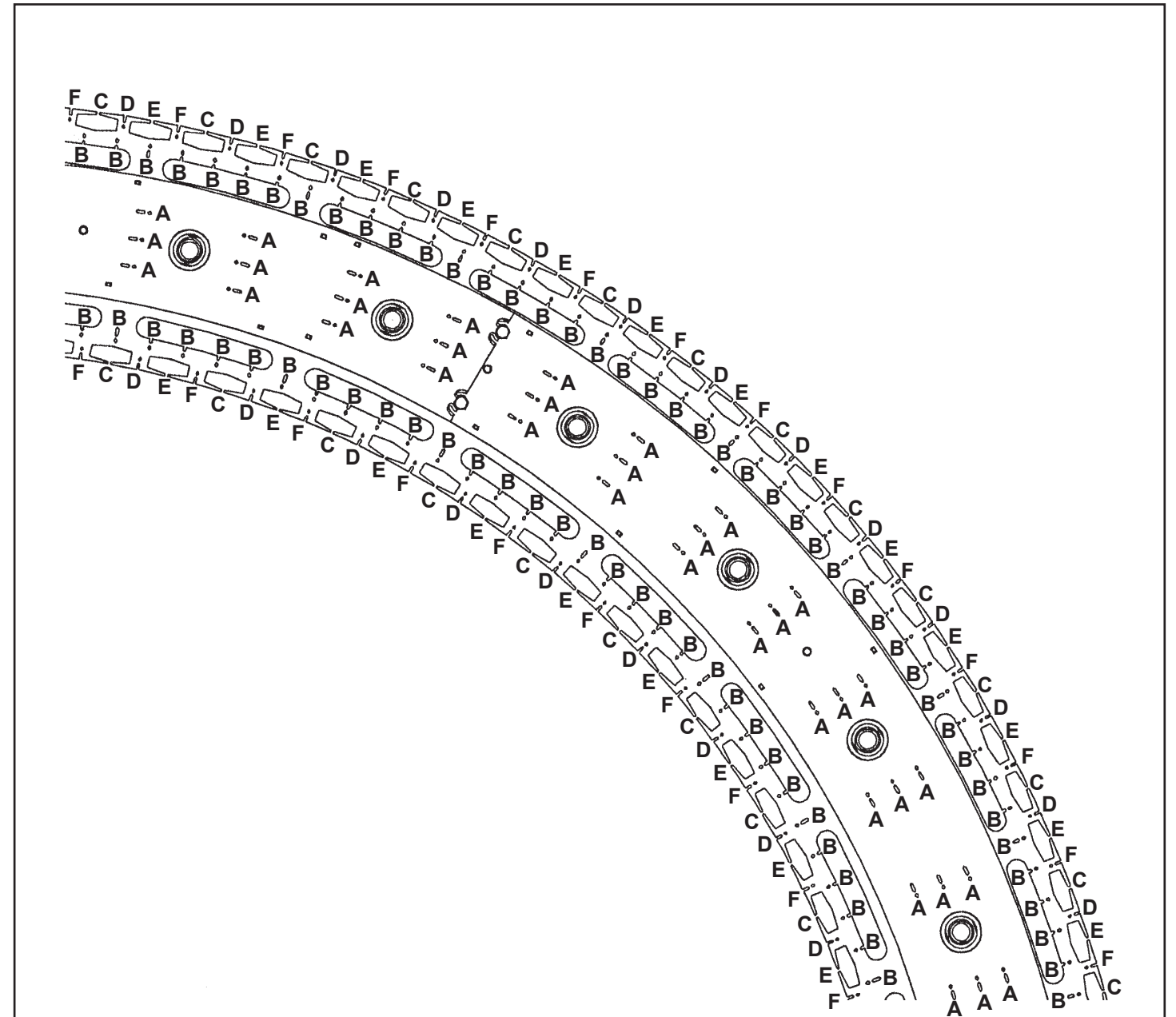
NOTE: INSTALLER IS SOLELY RESPONSIBLE FOR PROPER MOUNTING!



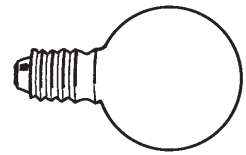
CROSS MEMBERS SECURELY FASTENS TO JOIST OR SIMILAR STRUCTURE MEMBER



WARNING:
MOUNTING CONFIGURATION AND HARDWARE MUST HOLD 4X THE WEIGHT OF THE FIXTURE. MOUNTING DESIGN AND FIXTURE INSTALLATION SHOULD BE CONDUCTED BY A QUALIFIED LICENSED PROFESSIONAL.

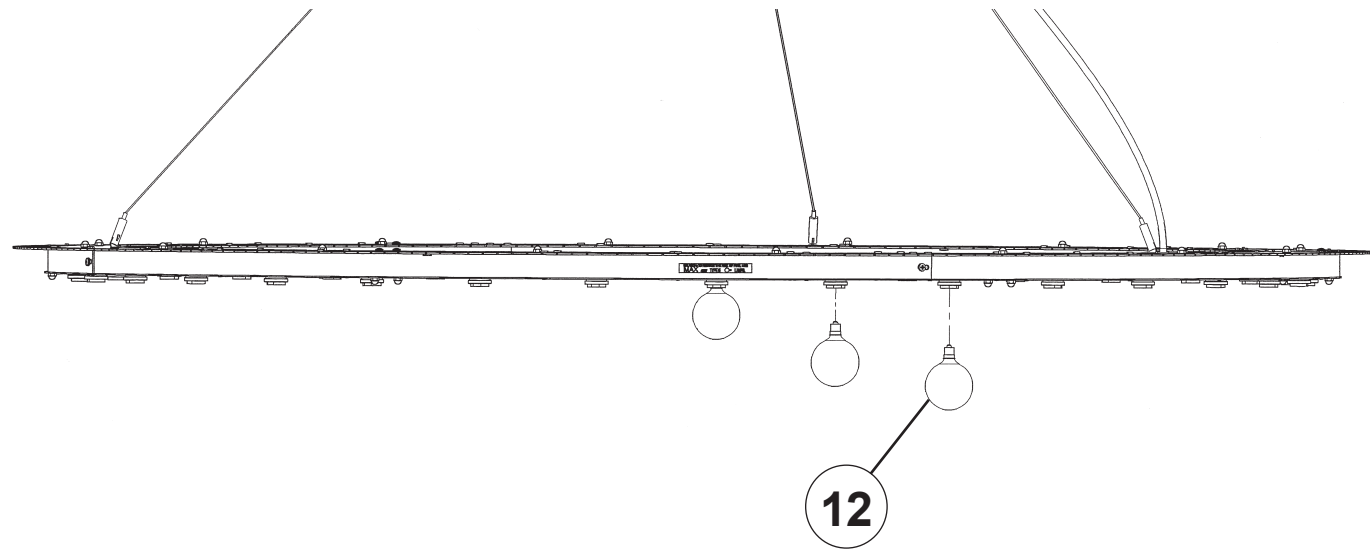
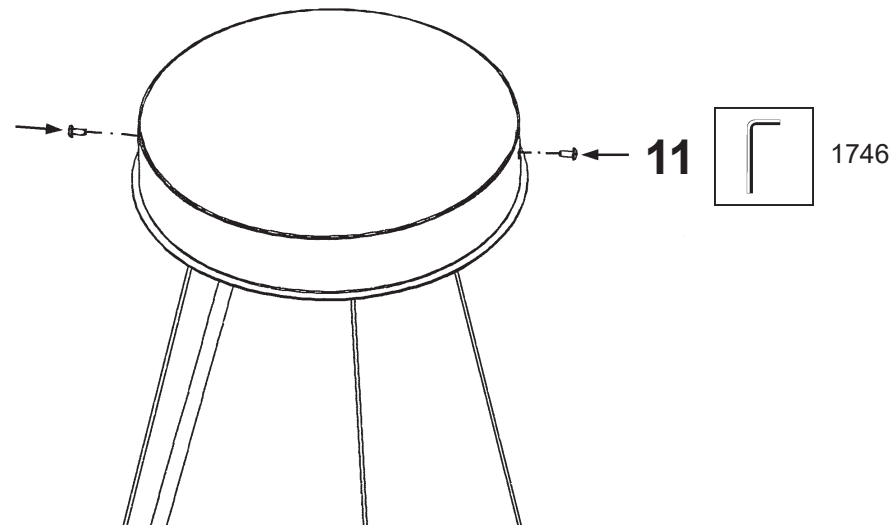


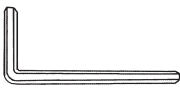
- 13 A
- 14 B
- 15 C
- 16 D
- 17 E
- 18 F

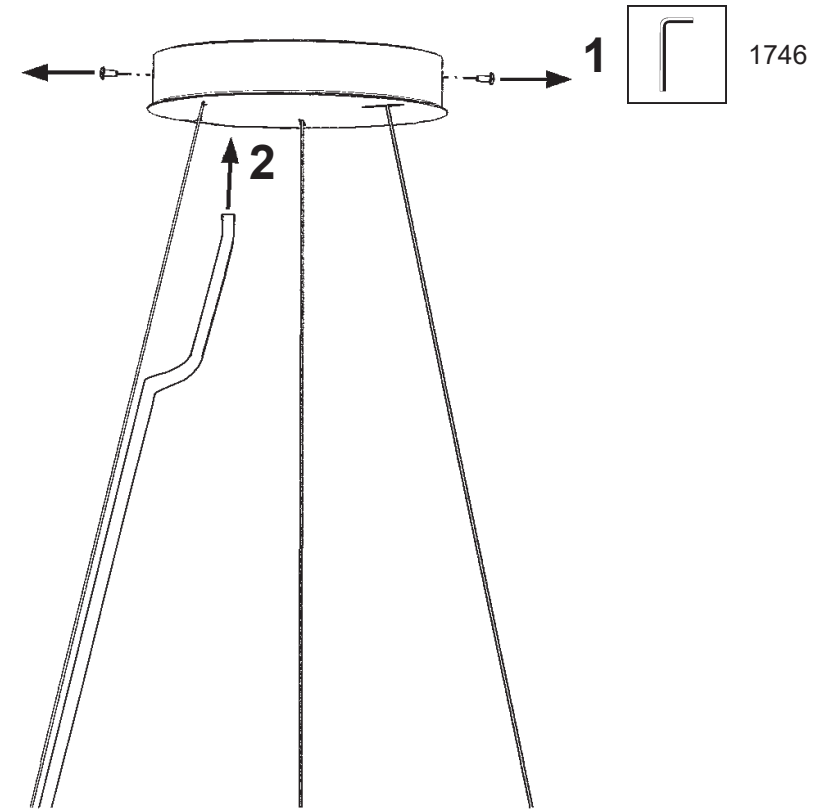


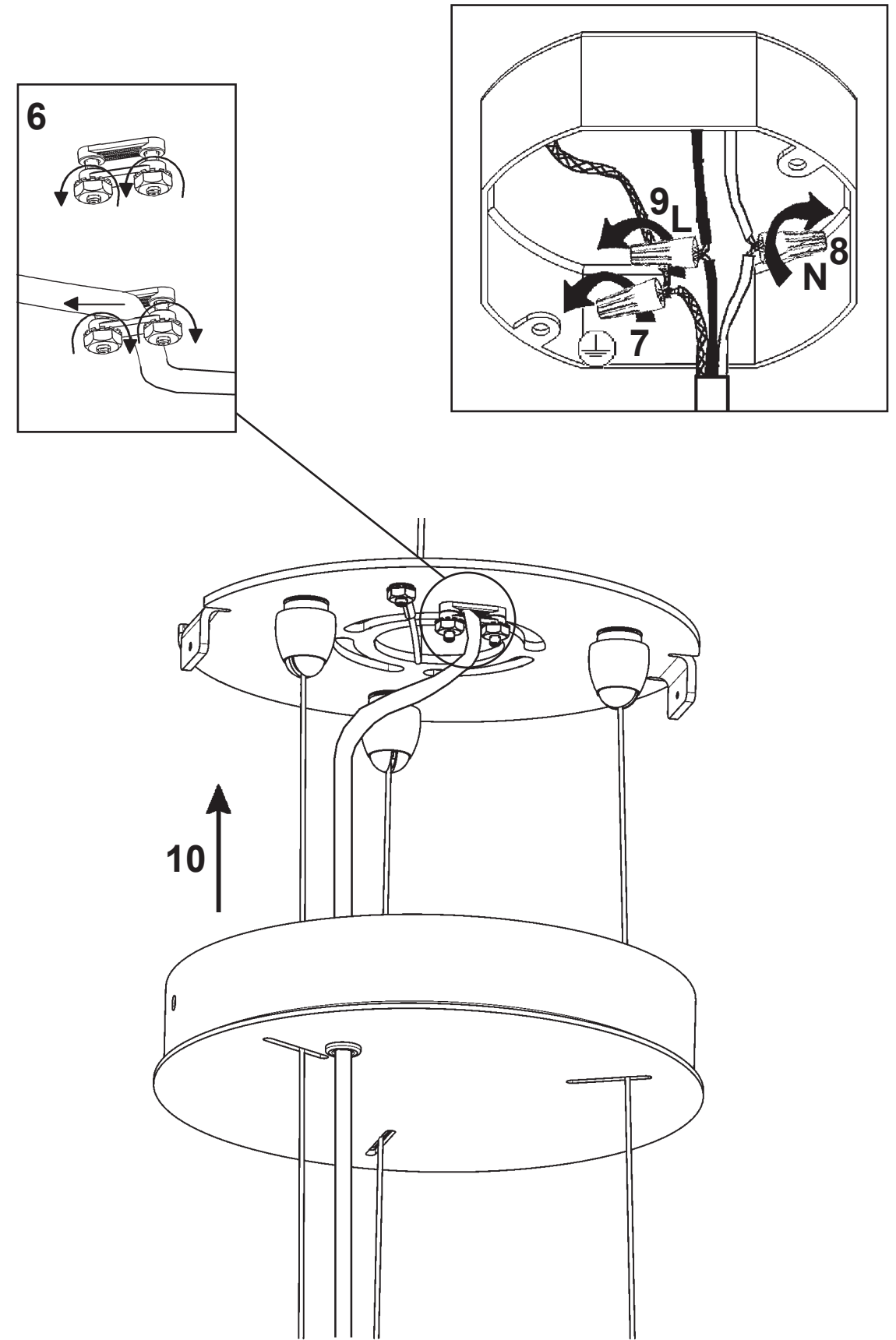
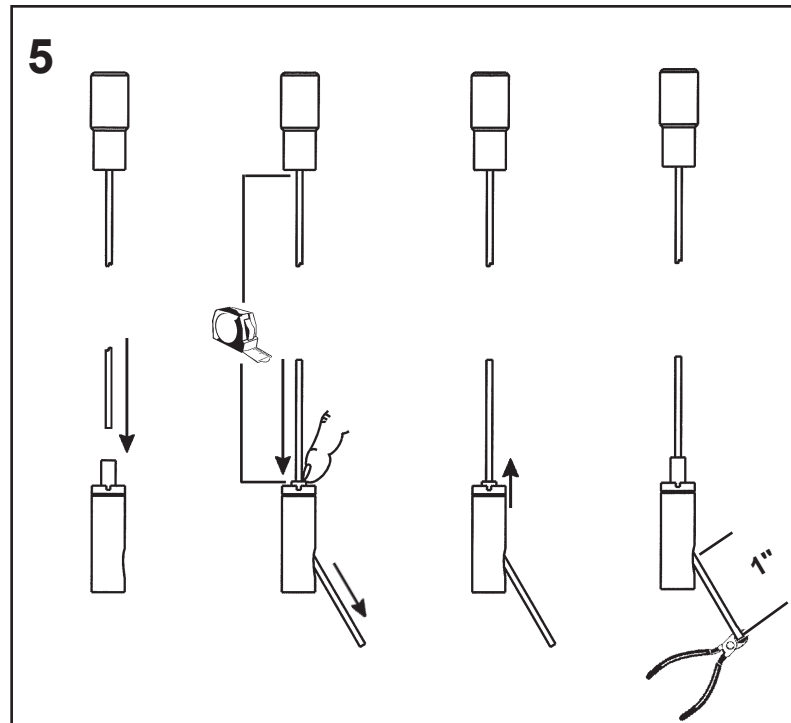
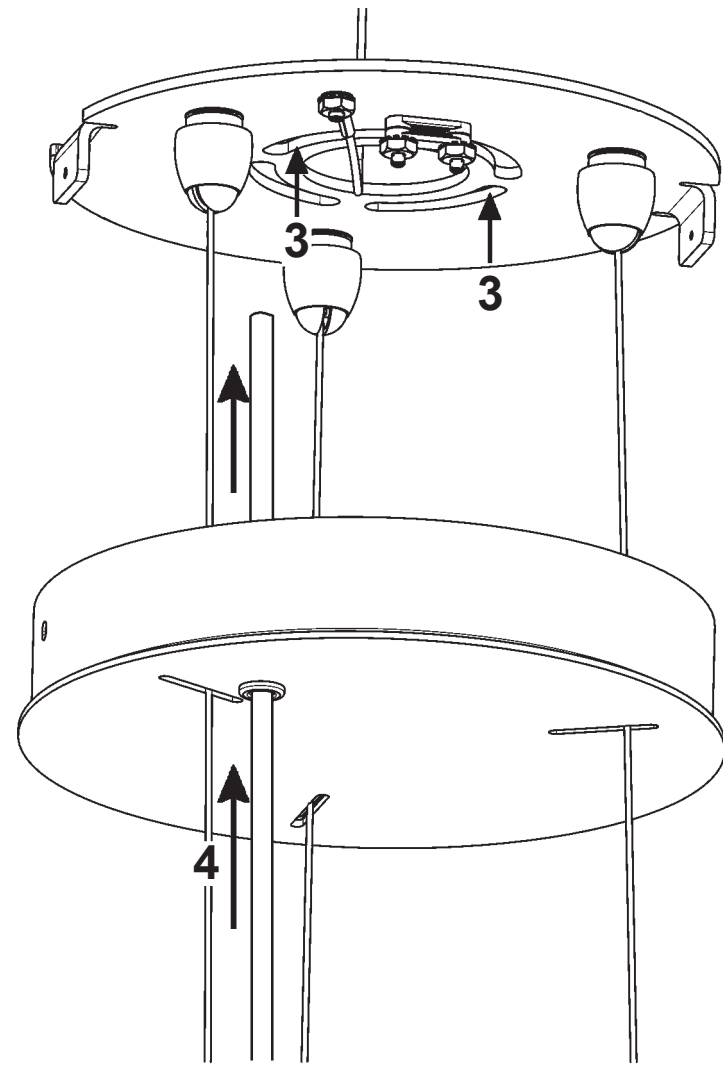
You will need 32 - G16-1/2 Bulbs
40 Watts Max

Install bulbs and be sure to
test fixture BEFORE trimming.



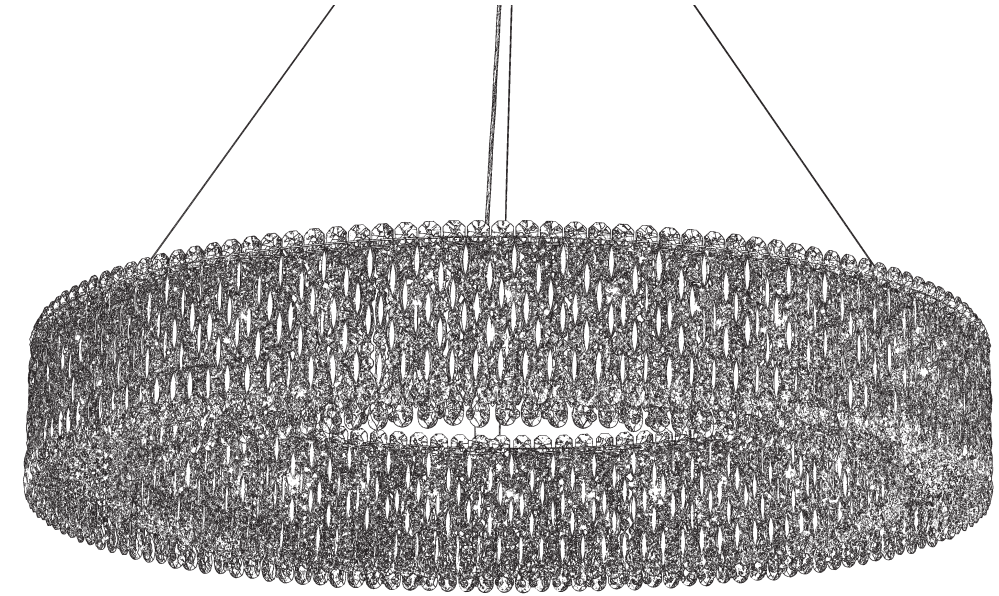
1 X  : 1746





 **SCHONBEK** | 1870










SARELLA
RS8351N- __ __ R



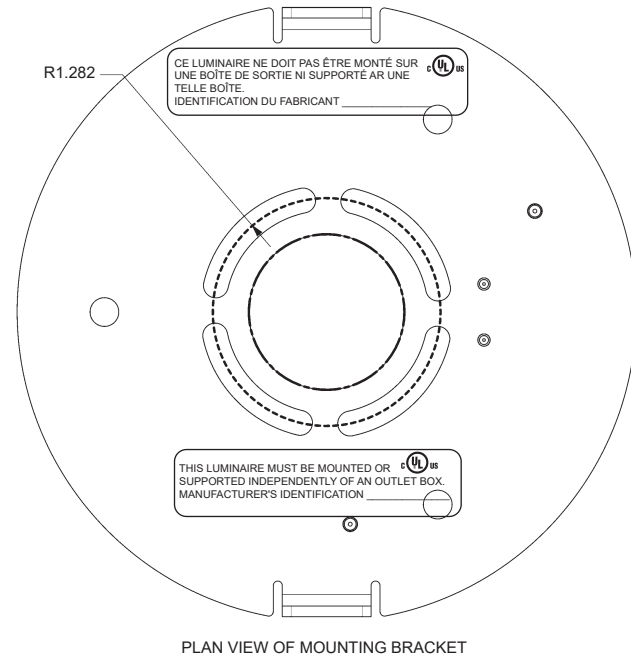
THIS DESIGN IS THE PROPRIETARY
TRADE DRESS/TRADEMARK OF
W SCHONBEK LLC.

32 Lights
Length: 59"
Height: 10"
Hanging Weight: 91lbs.

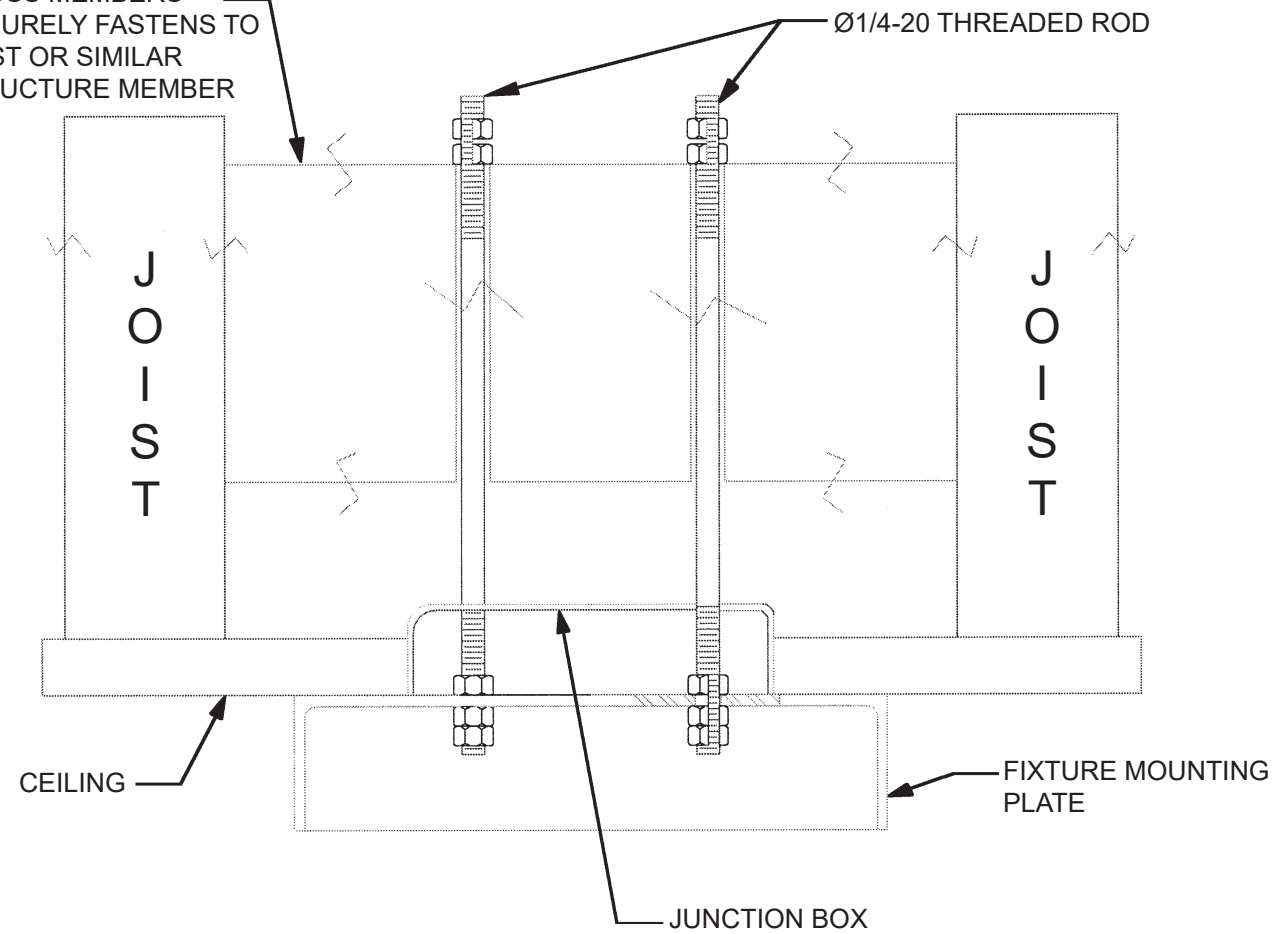
 **SCHONBEK** | 1870

			S					
MAX 40 W	110-120 V							

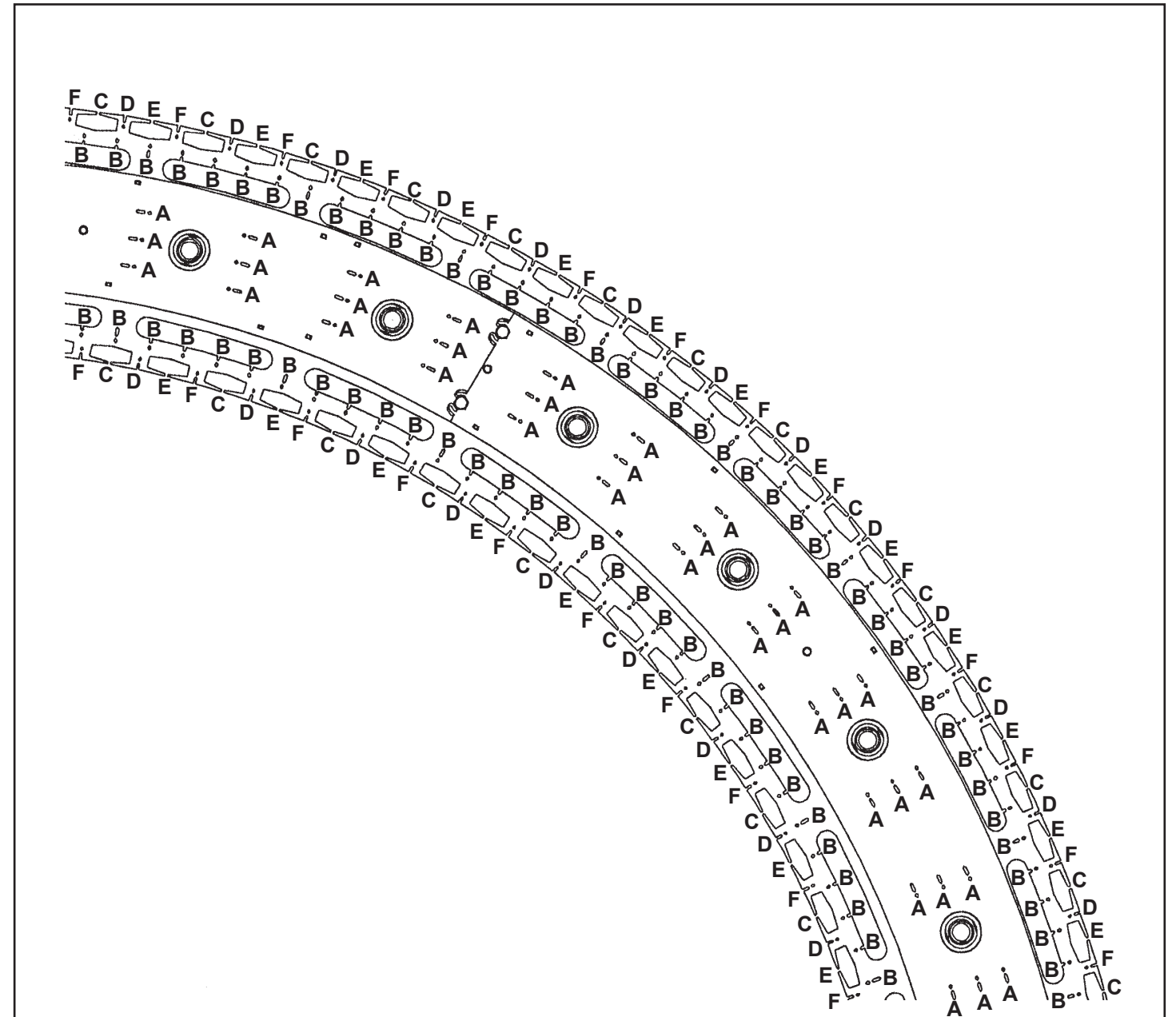
NOTE: INSTALLER IS SOLELY RESPONSIBLE FOR PROPER MOUNTING!



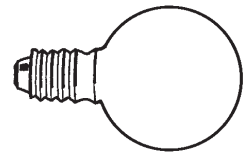
CROSS MEMBERS SECURELY FASTENS TO JOIST OR SIMILAR STRUCTURE MEMBER



WARNING:
MOUNTING CONFIGURATION AND HARDWARE MUST HOLD 4X THE WEIGHT OF THE FIXTURE. MOUNTING DESIGN AND FIXTURE INSTALLATION SHOULD BE CONDUCTED BY A QUALIFIED LICENSED PROFESSIONAL.

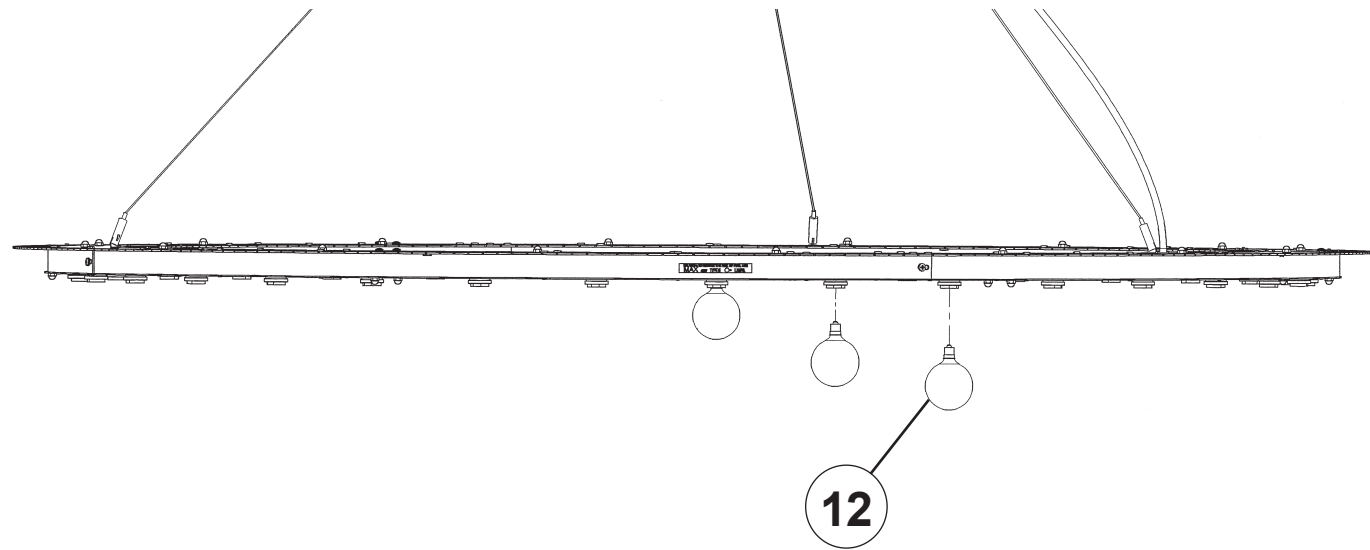
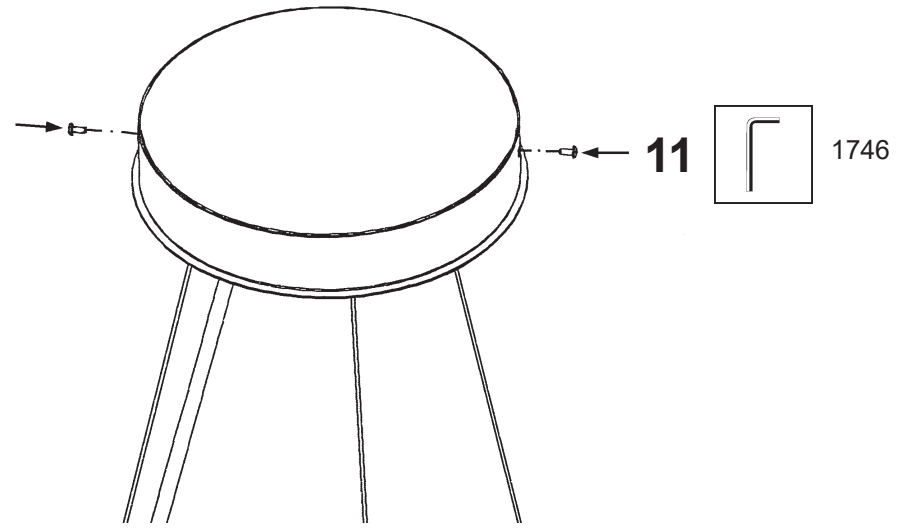


- 13 A
- 14 B
- 15 C
- 16 D
- 17 E
- 18 F

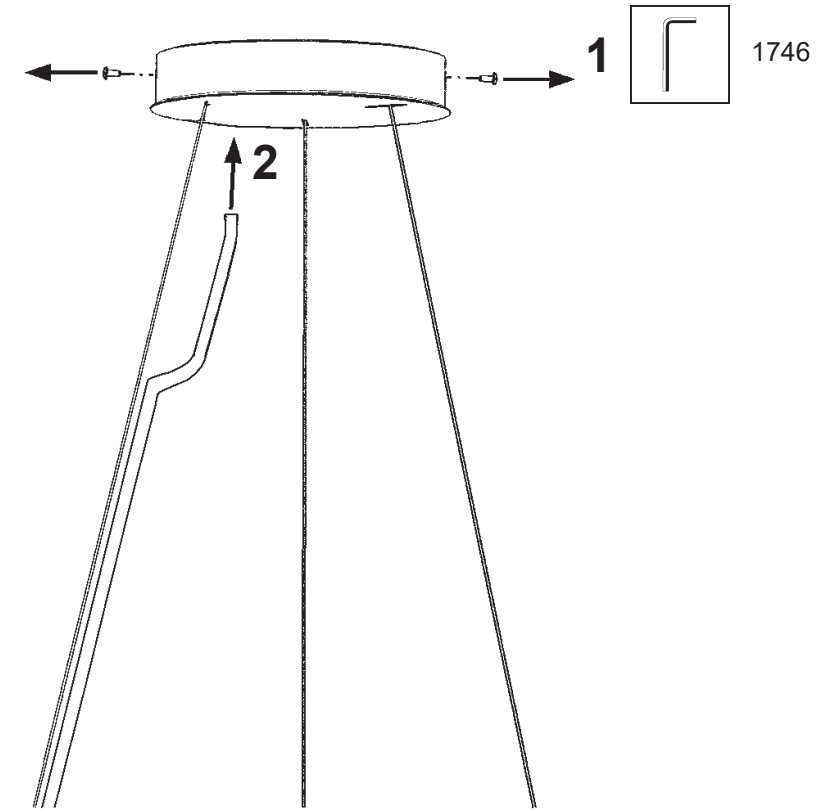


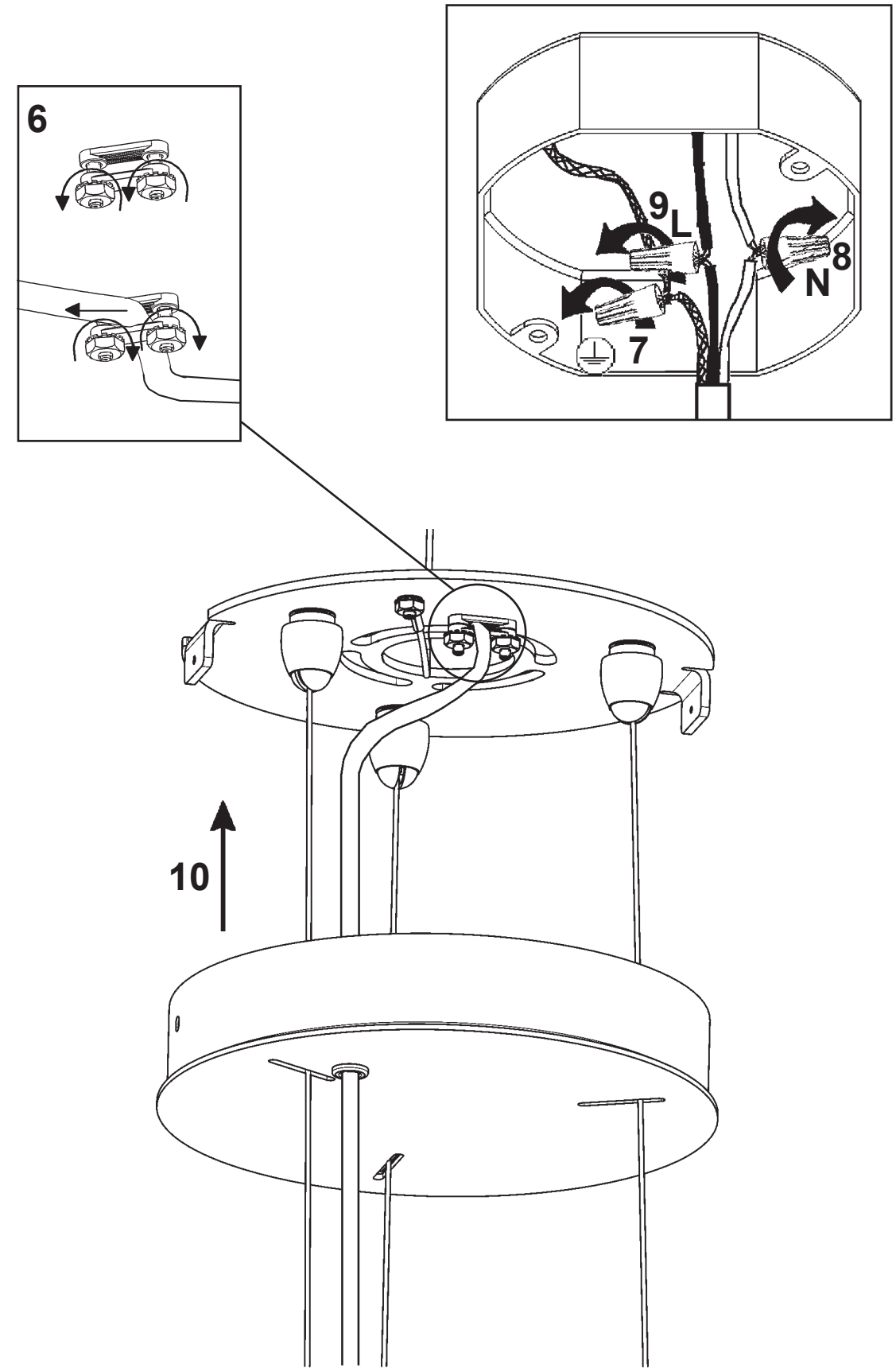
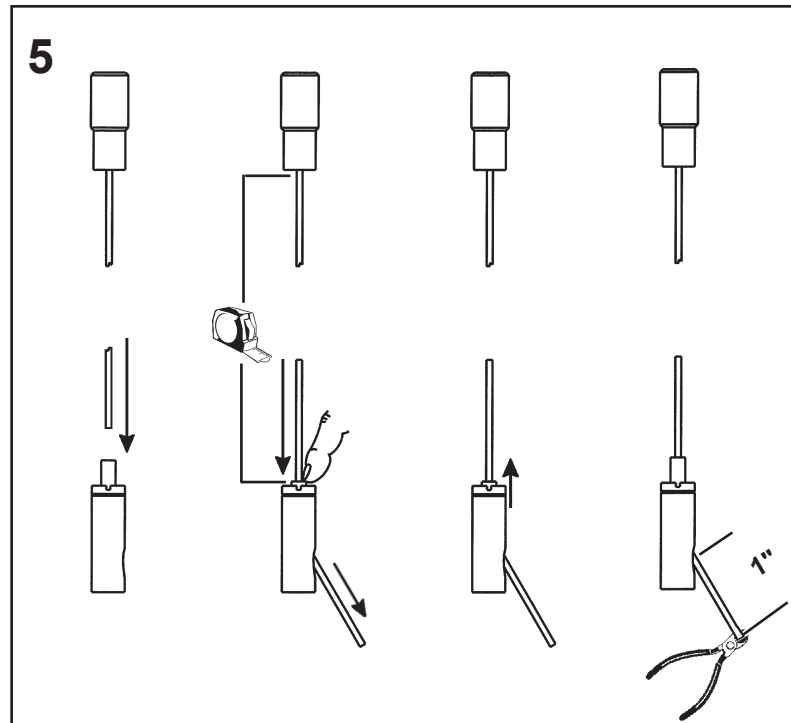
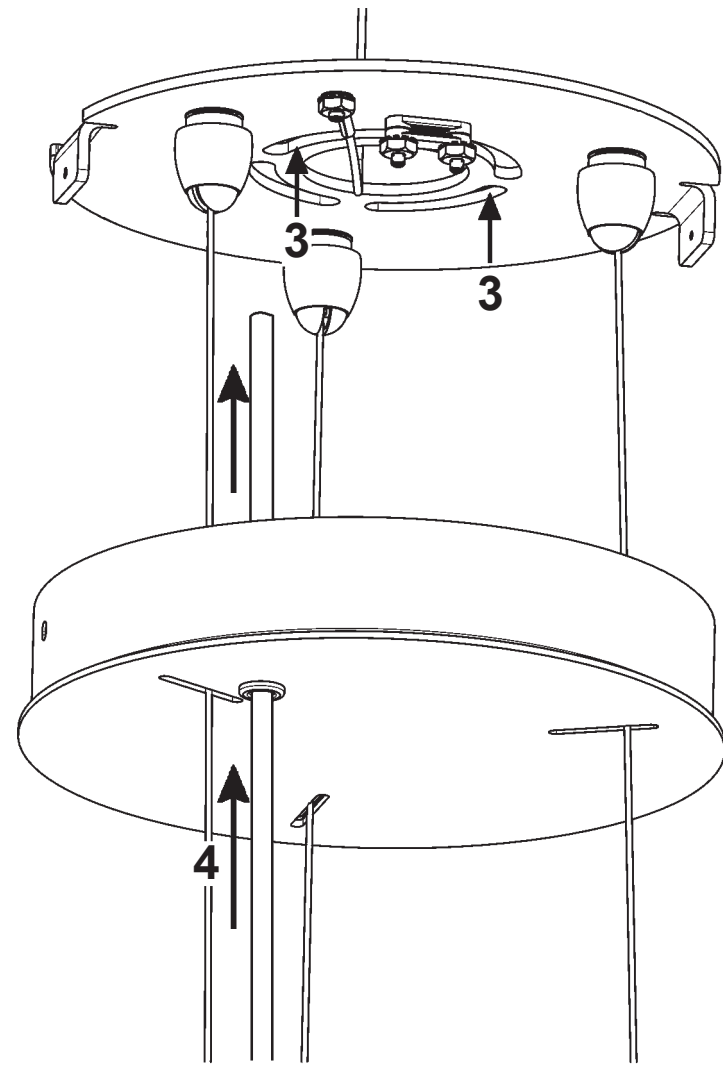
You will need 32 - G16-1/2 Bulbs
40 Watts Max

Install bulbs and be sure to
test fixture BEFORE trimming.



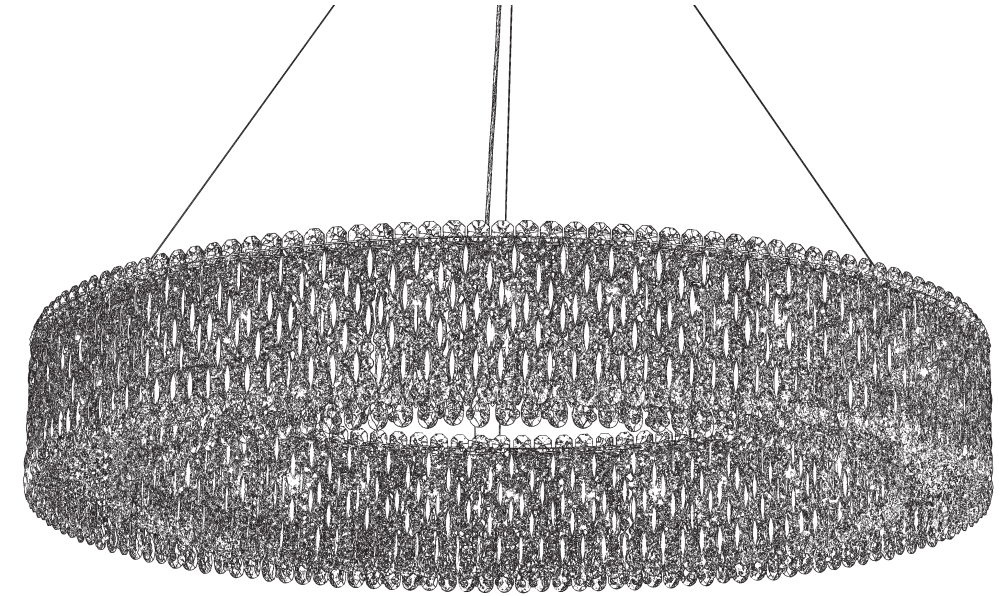
1 X  : 1746





 **SCHONBEK** | 1870










SARELLA
RS8351N- ___ _ S



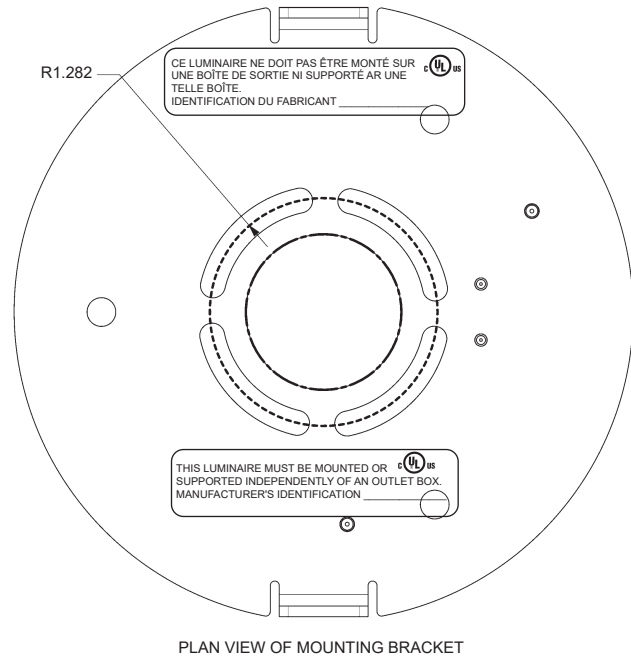
THIS DESIGN IS THE PROPRIETARY
TRADE DRESS/TRADEMARK OF
W SCHONBEK LLC.

32 Lights
Length: 59"
Height: 10"
Hanging Weight: 91lbs.

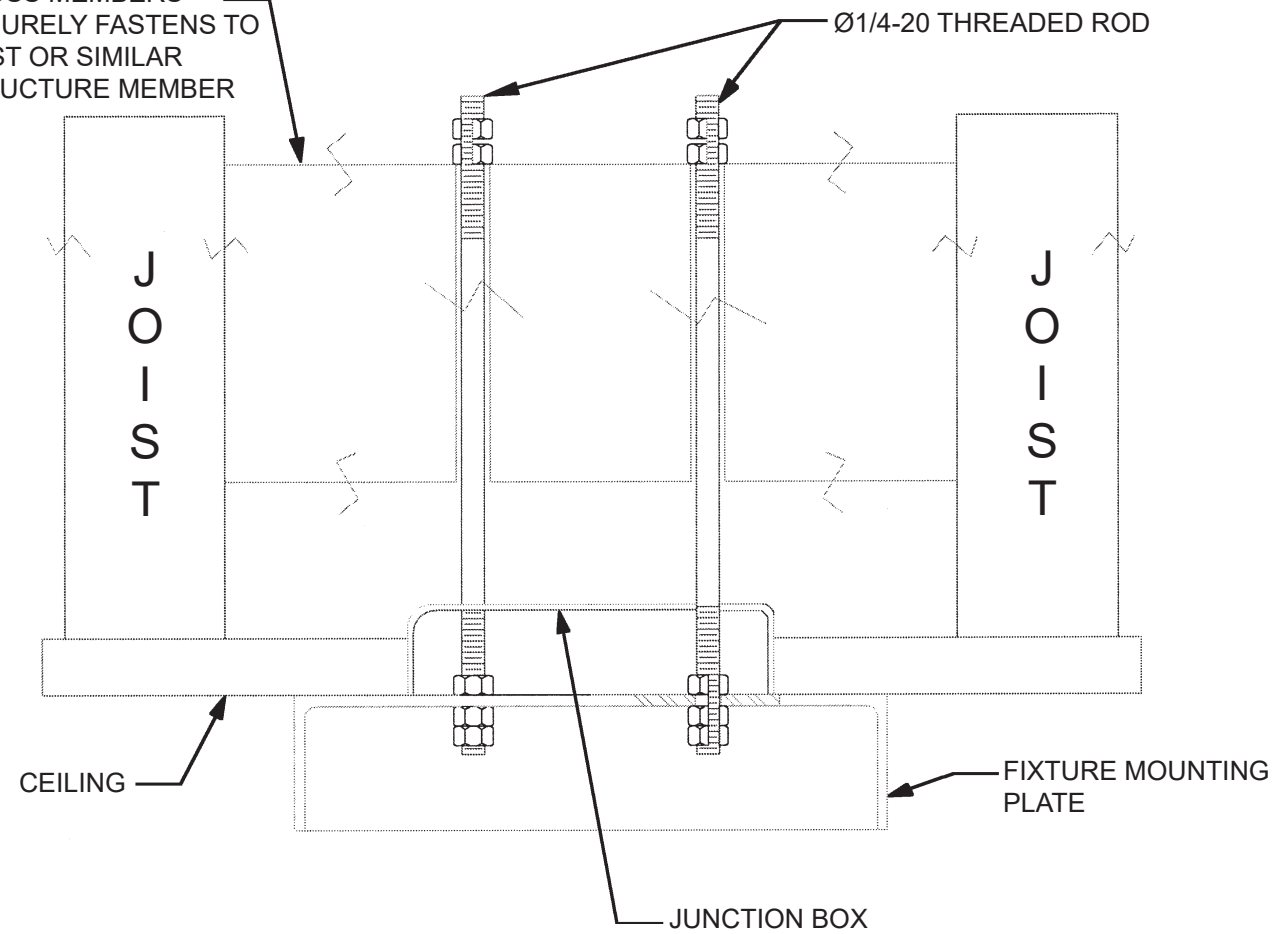
 **SCHONBEK** | 1870

			S					
MAX 40 W	110-120 V							

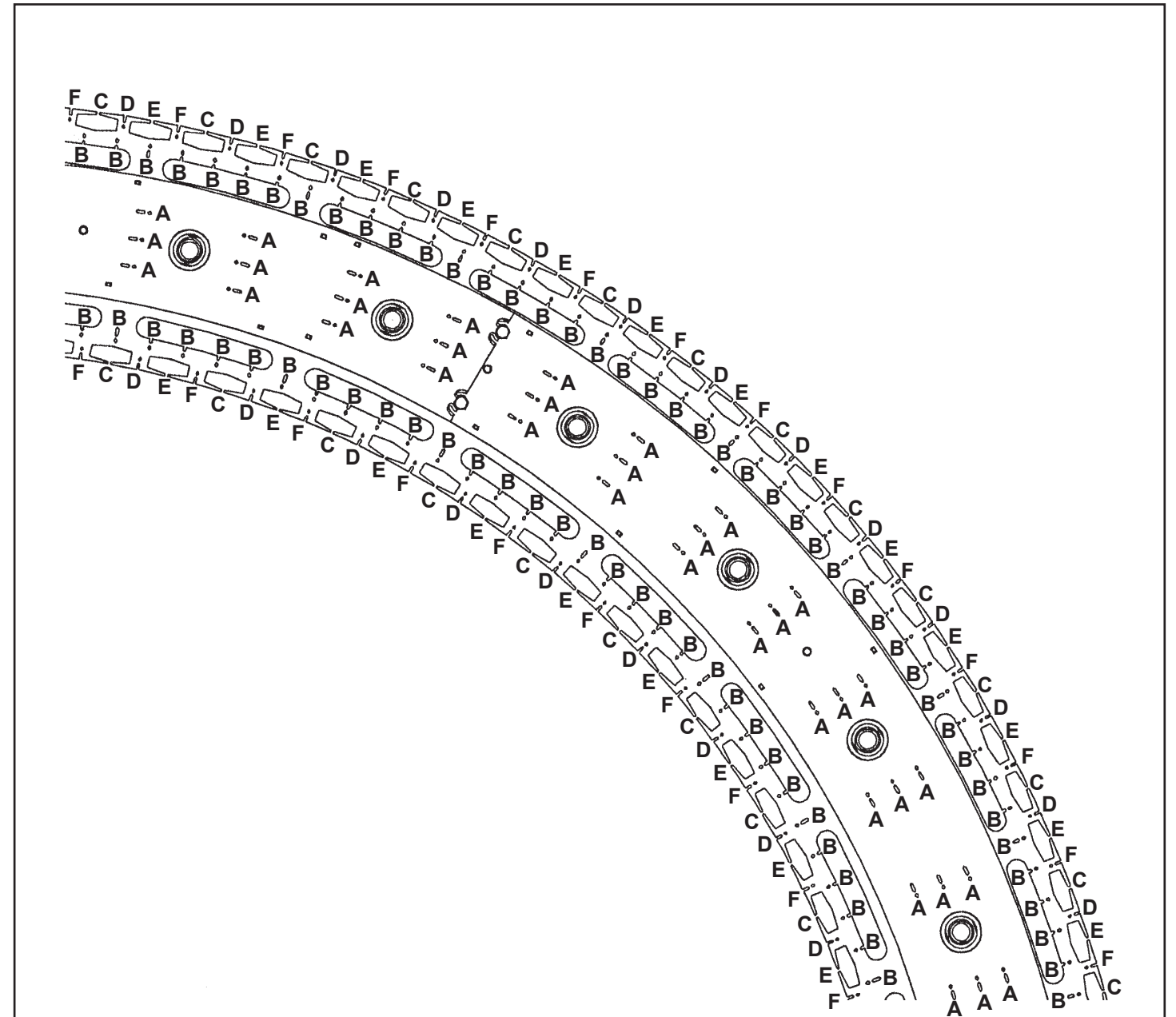
NOTE: INSTALLER IS SOLELY RESPONSIBLE FOR PROPER MOUNTING!



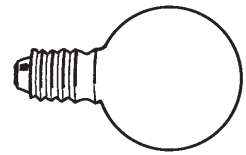
CROSS MEMBERS SECURELY FASTENS TO JOIST OR SIMILAR STRUCTURE MEMBER



WARNING:
MOUNTING CONFIGURATION AND HARDWARE MUST HOLD 4X THE WEIGHT OF THE FIXTURE. MOUNTING DESIGN AND FIXTURE INSTALLATION SHOULD BE CONDUCTED BY A QUALIFIED LICENSED PROFESSIONAL.

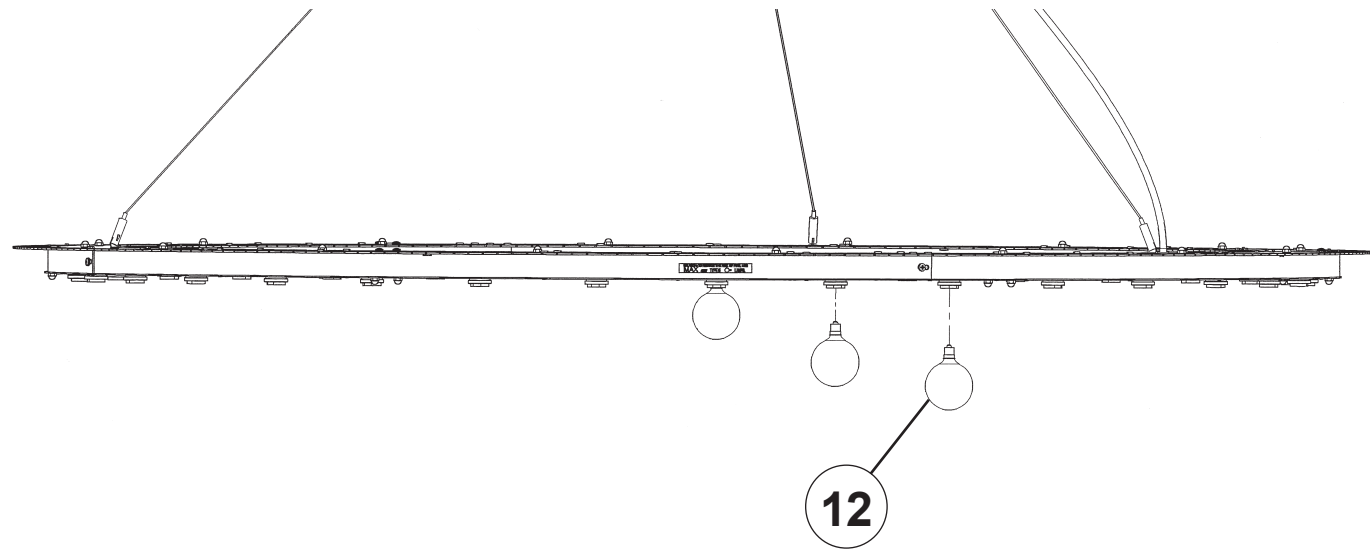
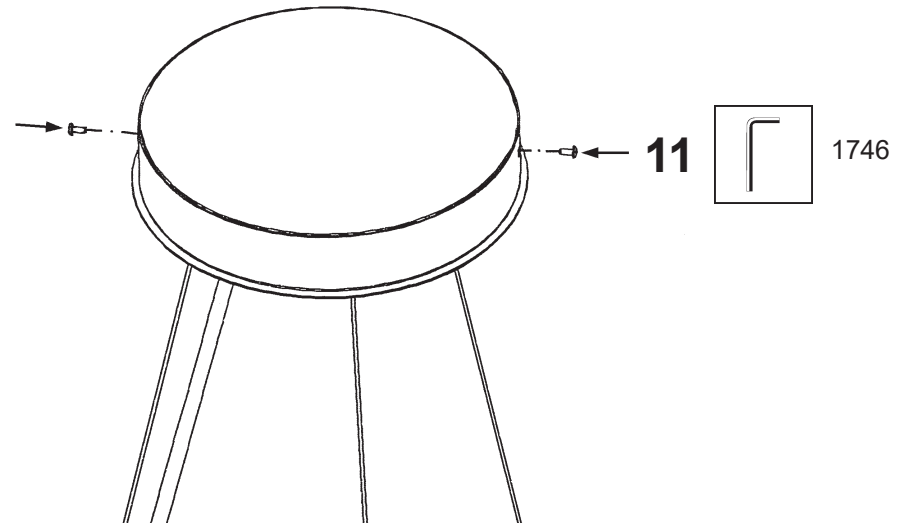


13	A
14	B
15	C
16	D
17	E
18	F



You will need 32 - G16-1/2 Bulbs
40 Watts Max

Install bulbs and be sure to
test fixture BEFORE trimming.



1 X  : 1746

