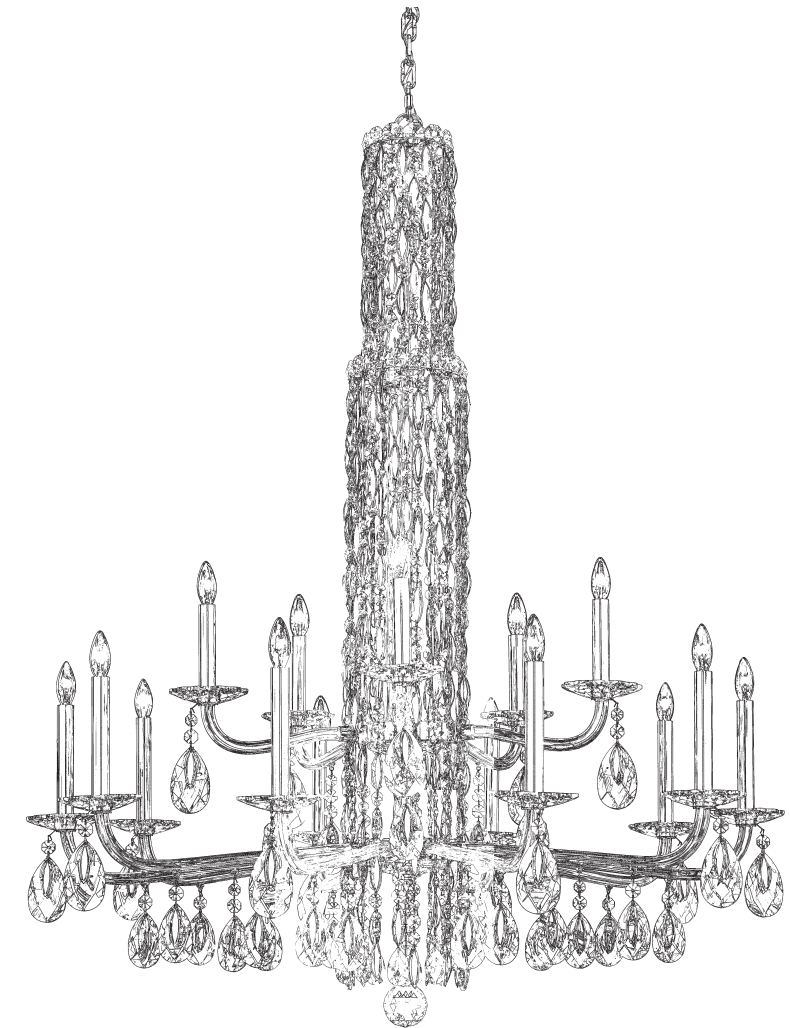


# SARELLA RS84151N-\_\_ \_\_H













15 + 2 Lights  
Diameter: 40-1/2"  
Height: 50-1/2"  
Hanging Weight: 44lbs.

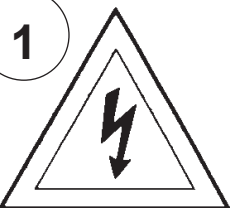
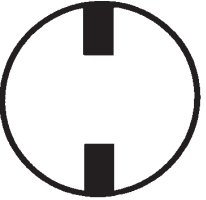
**T**HIS DESIGN IS THE PROPRIETARY  
TRADE DRESS/TRADEMARK OF  
W SCHONBEK LLC.

 **SCHONBEK** | 1870

 **SCHONBEK** | 1870

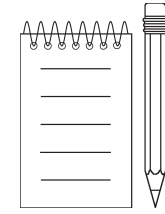
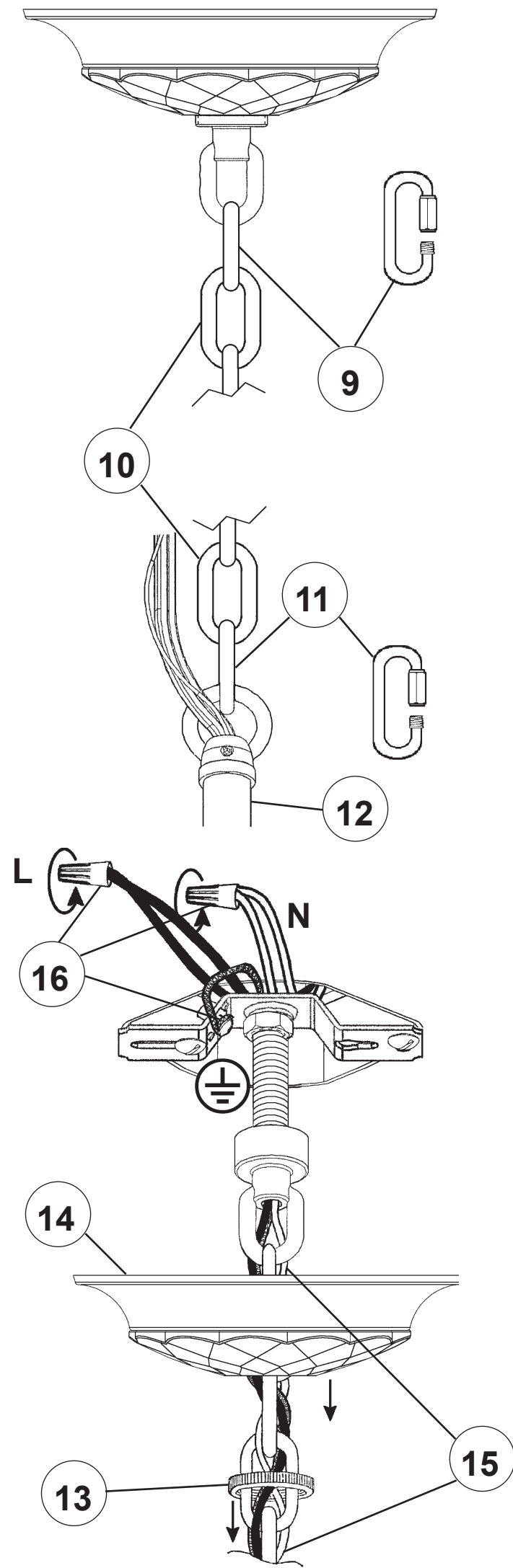
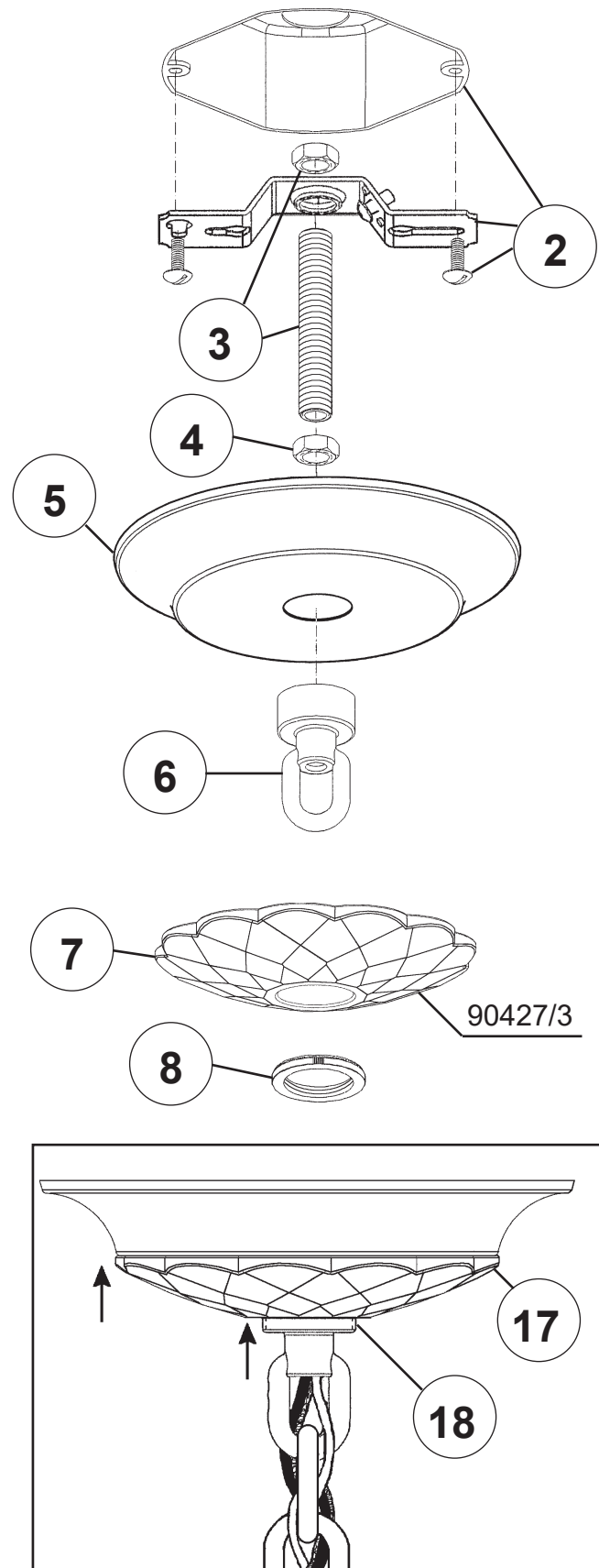
								
MAX <u>60</u> W	110-120 V							

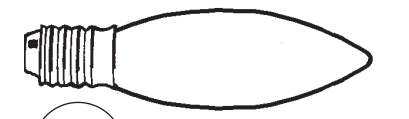
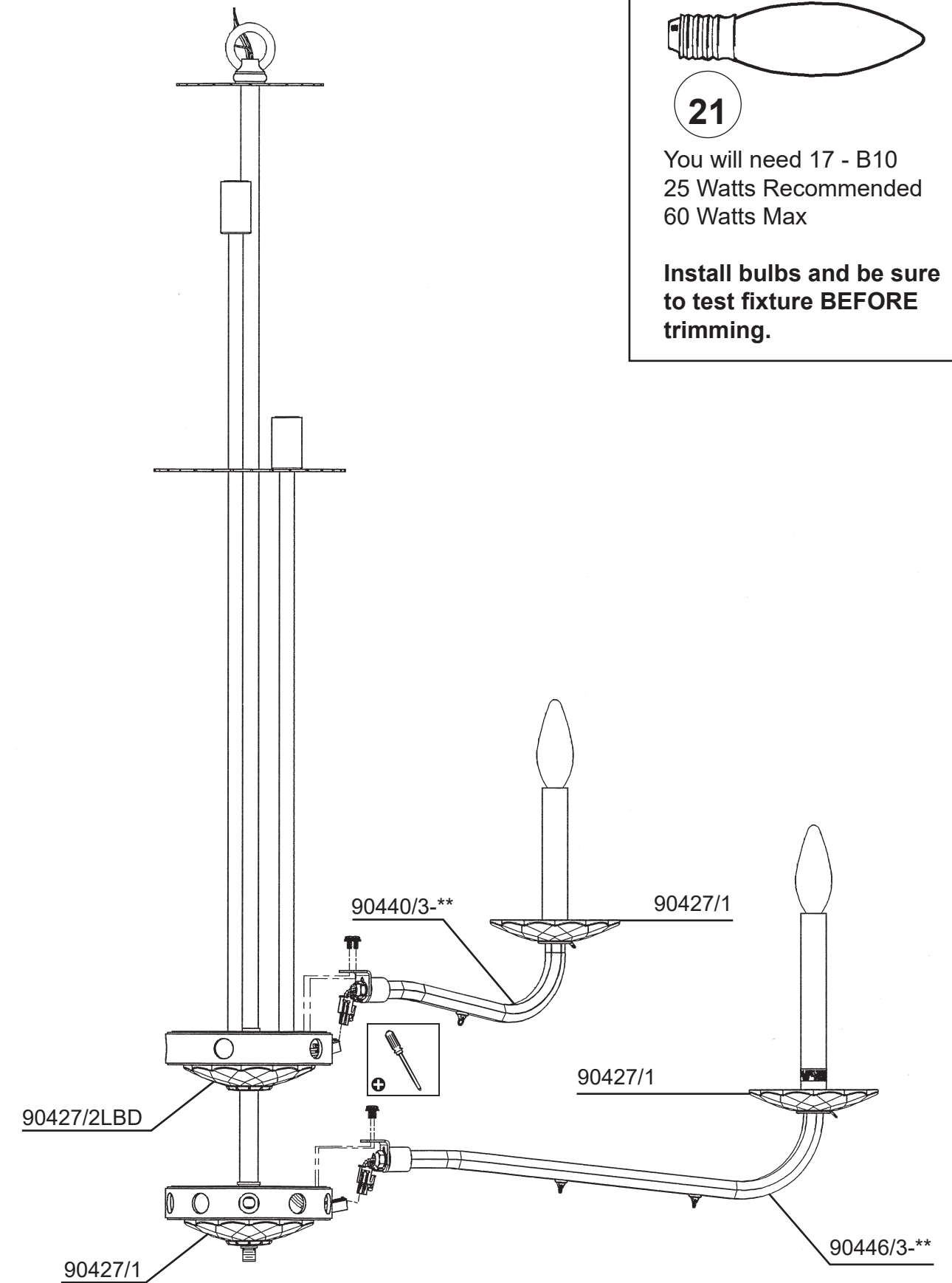
**WARNING:**

1  

**Electrical Danger Turn Power Off**

All electrical components must be installed by a licensed electrician in accordance with the National Electric Code and the appropriate local electrical codes.



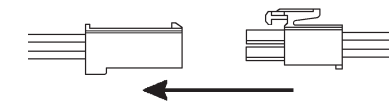


**21**

You will need 17 - B10  
25 Watts Recommended  
60 Watts Max

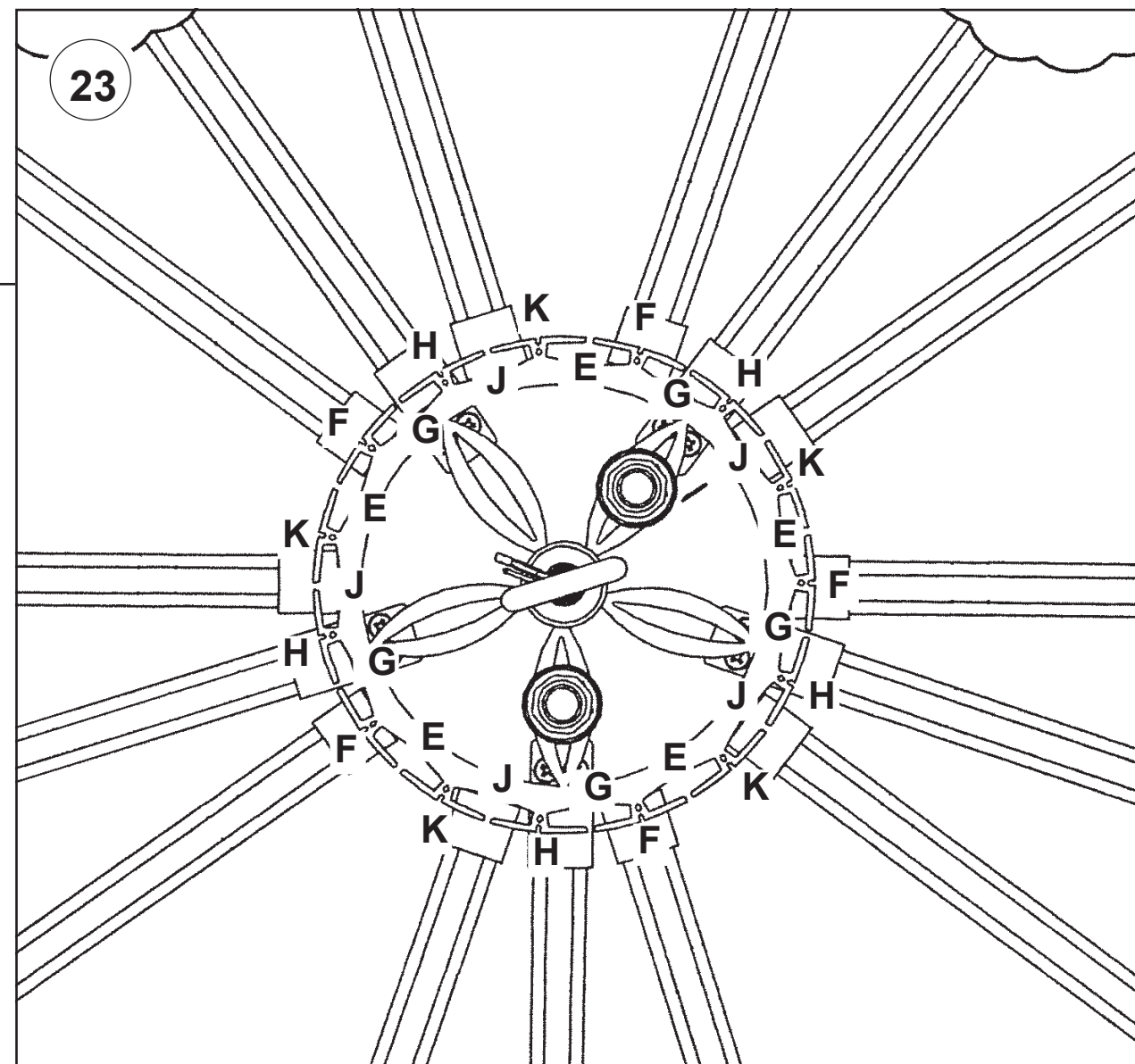
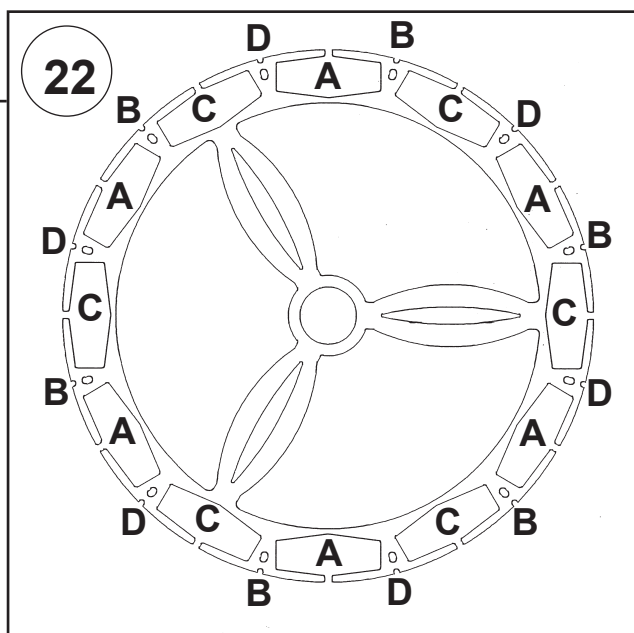
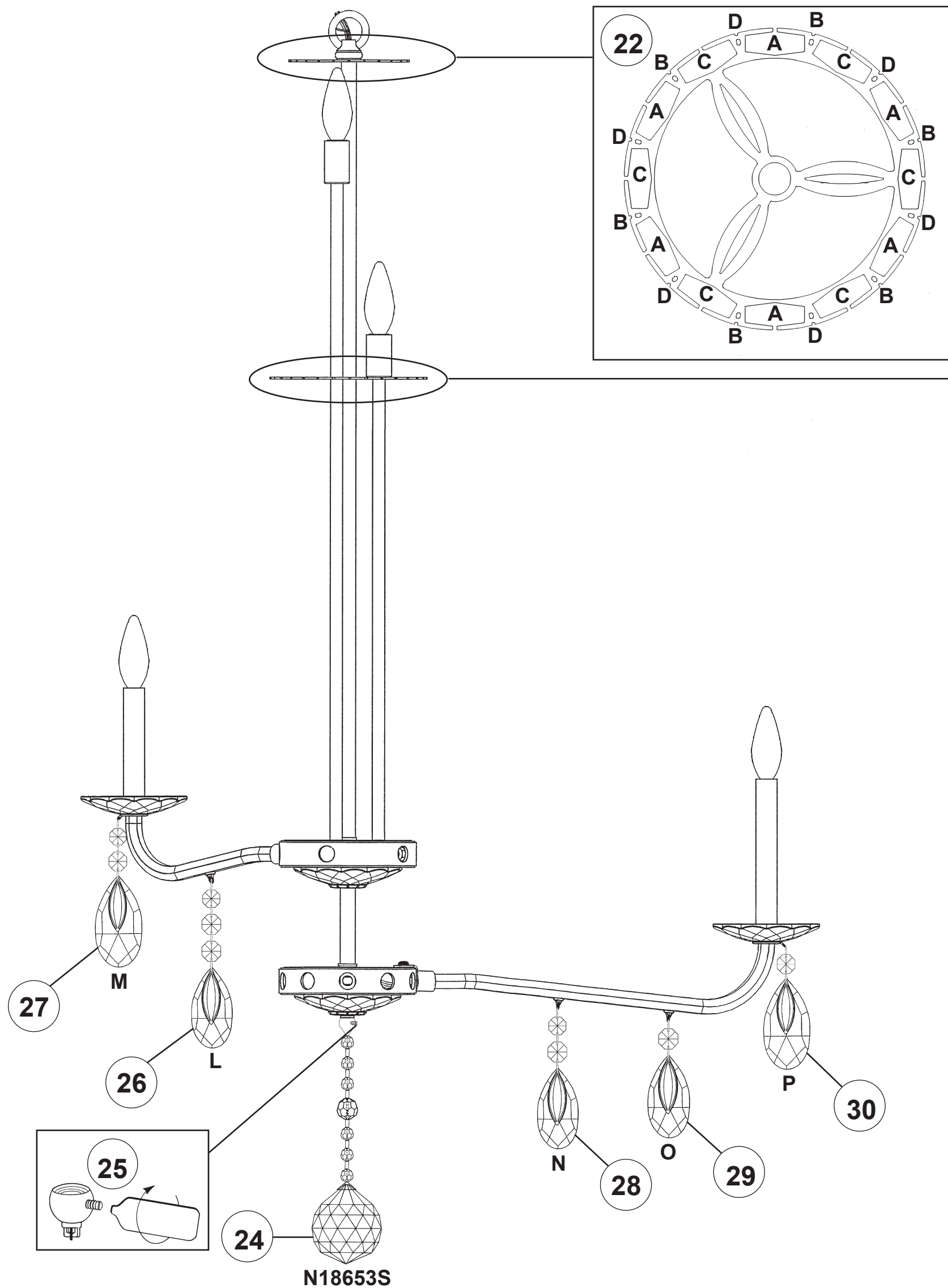
**Install bulbs and be sure  
to test fixture BEFORE  
trimming.**

**19** Connect arm wires using plug-in connectors. See detailed illustration.

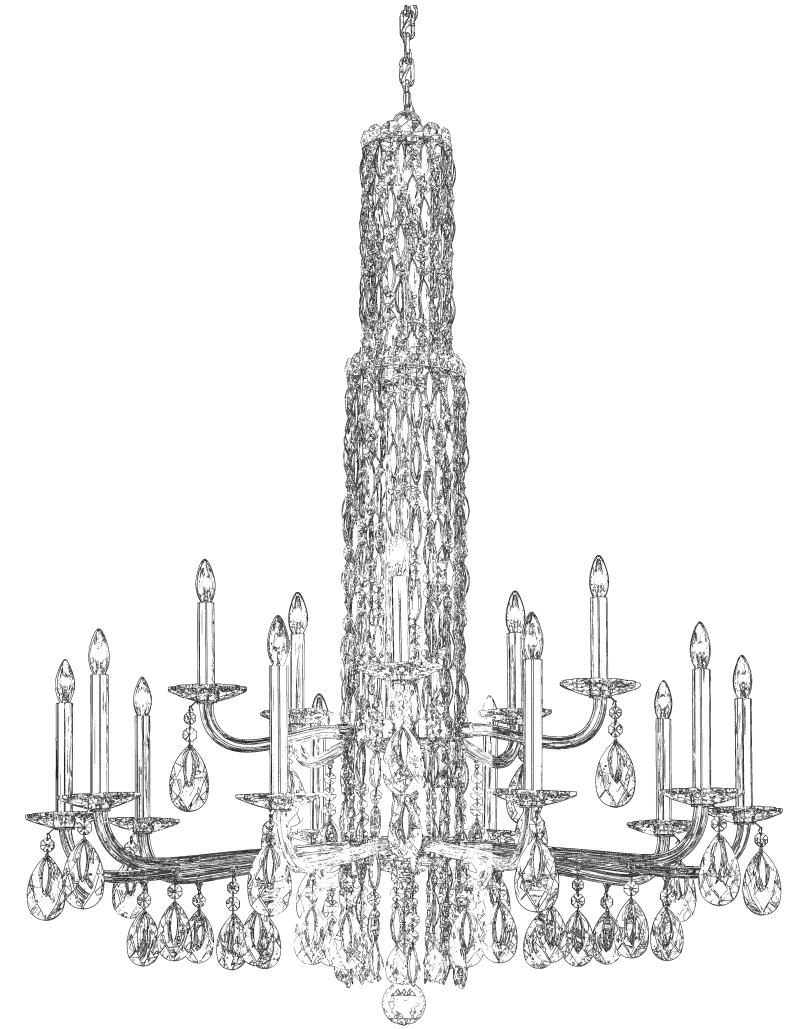


**20** Push wires into hole and attach arm into place by tightening screws.

**21** Install bobèche on every arm and screw bulbs into all sockets and test fixture before trimming. If any of the bulbs do NOT light - DISCONNECT POWER. Double check the wire connections.



# SARELLA RS84151N-\_\_ \_\_R













15 + 2 Lights  
Diameter: 40-1/2"  
Height: 50-1/2"  
Hanging Weight: 44lbs.

**T**HIS DESIGN IS THE PROPRIETARY  
TRADE DRESS/TRADEMARK OF  
W SCHONBEK LLC.

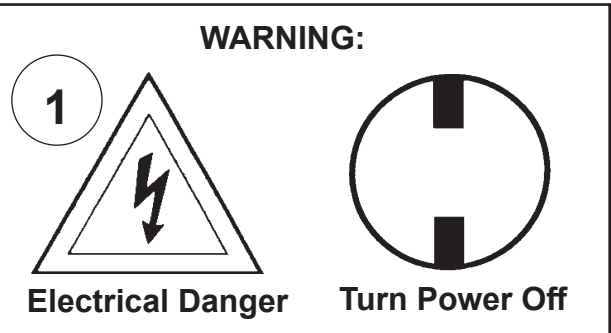
 **SCHONBEK** | 1870

 **SCHONBEK** | 1870

								
MAX <u>60</u> W	110-120 V							

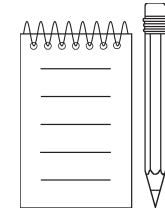
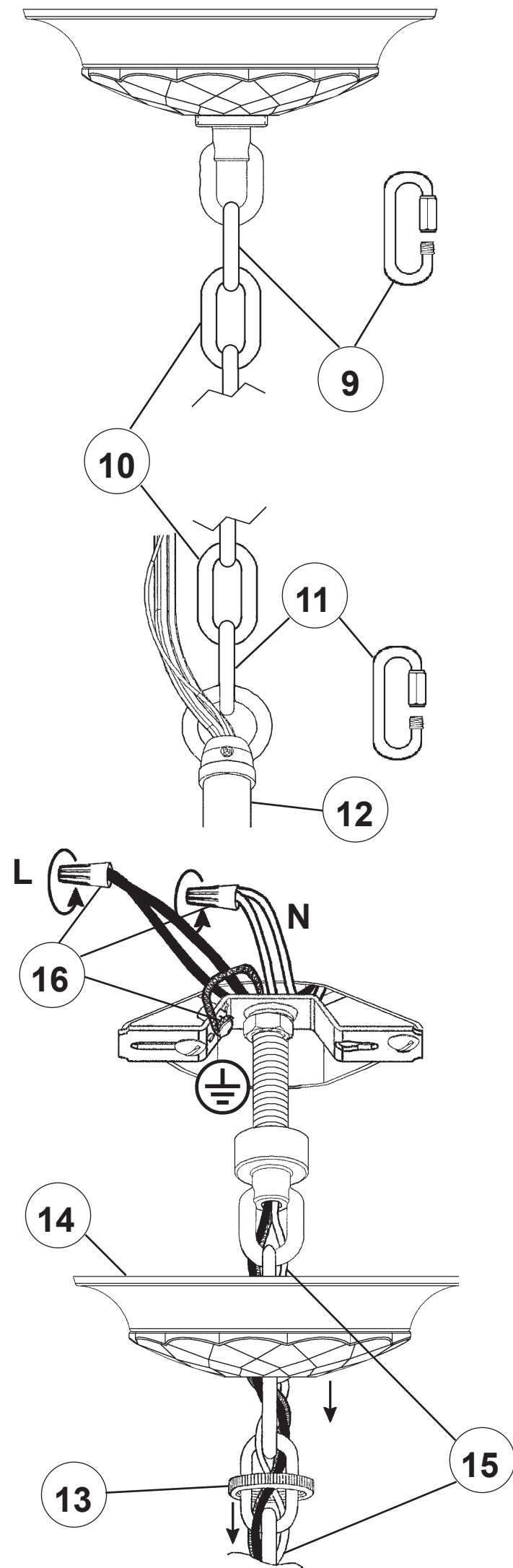
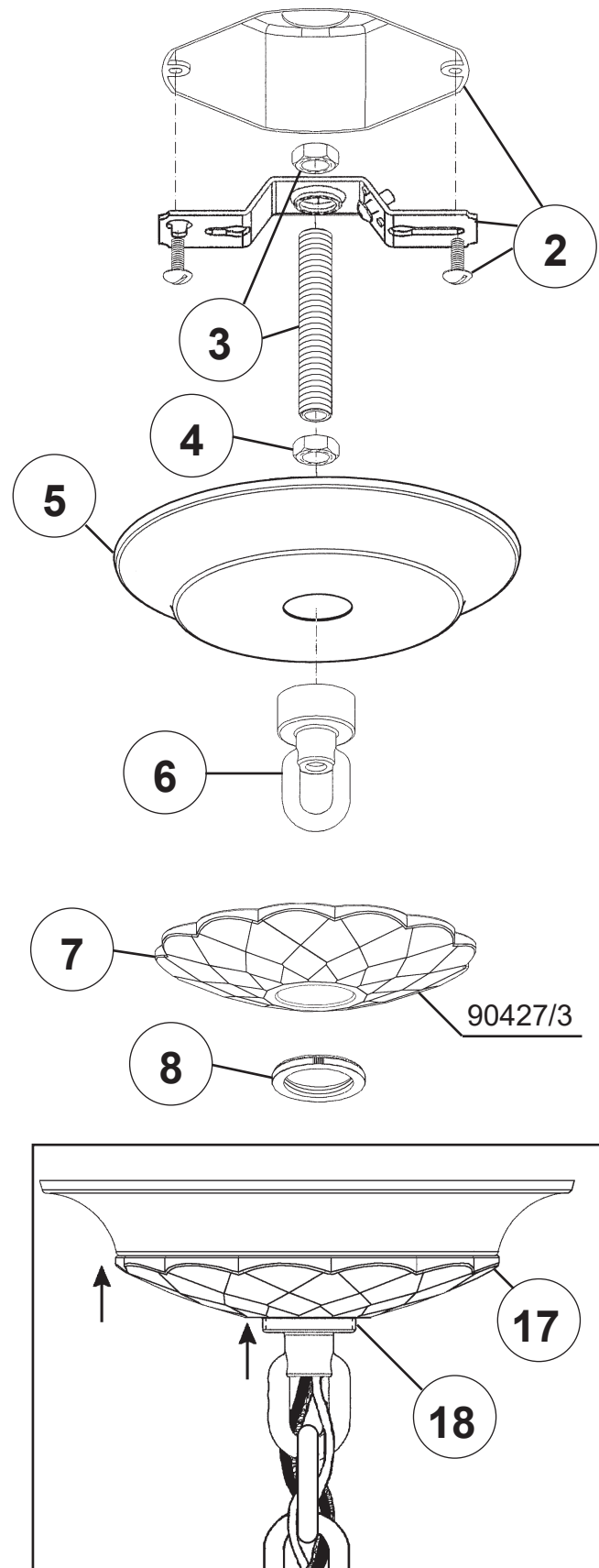


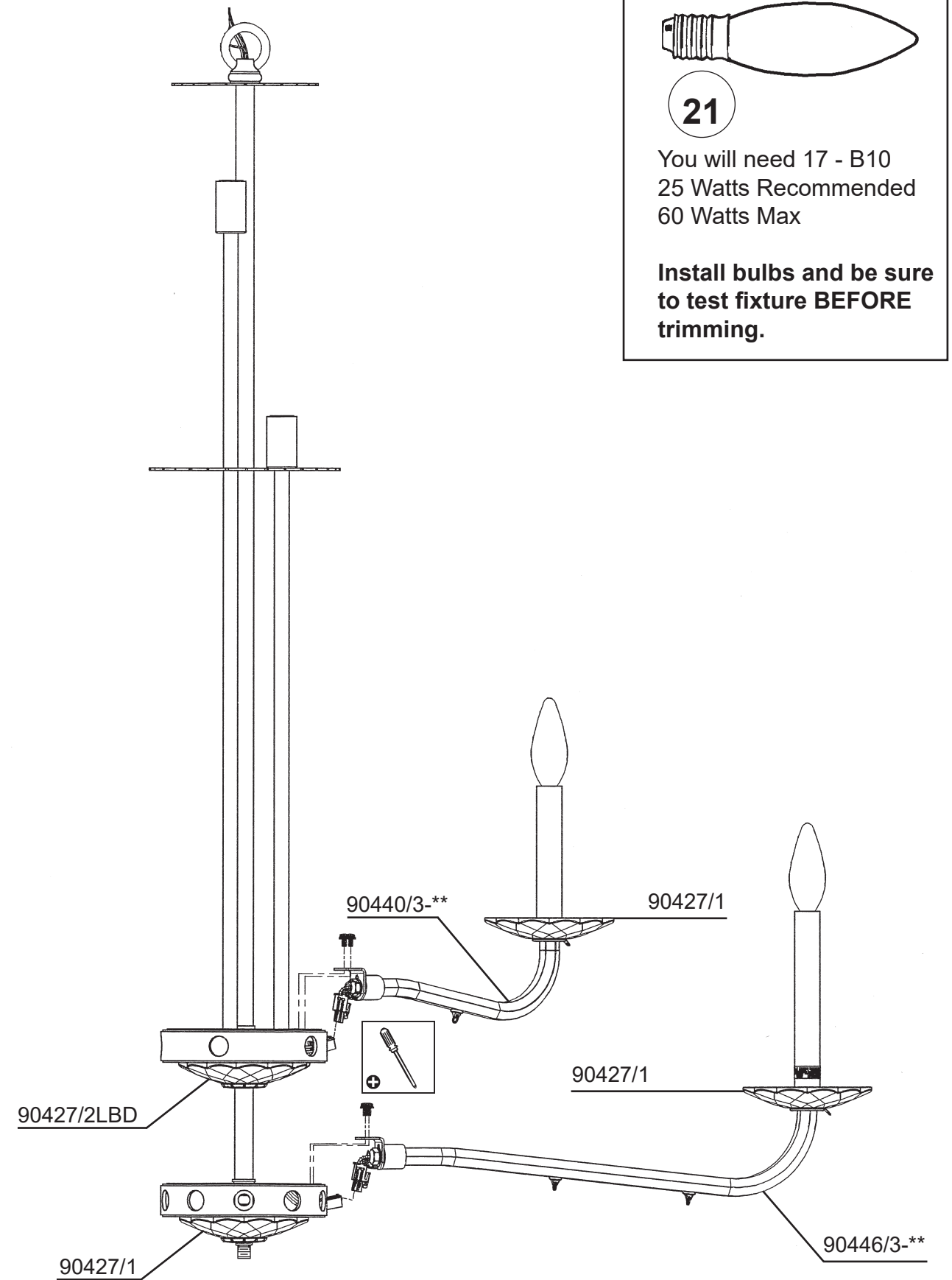
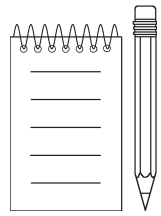
**WARNING:**

1 

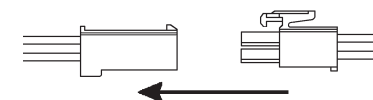
**Electrical Danger Turn Power Off**

All electrical components must be installed by a licensed electrician in accordance with the National Electric Code and the appropriate local electrical codes.



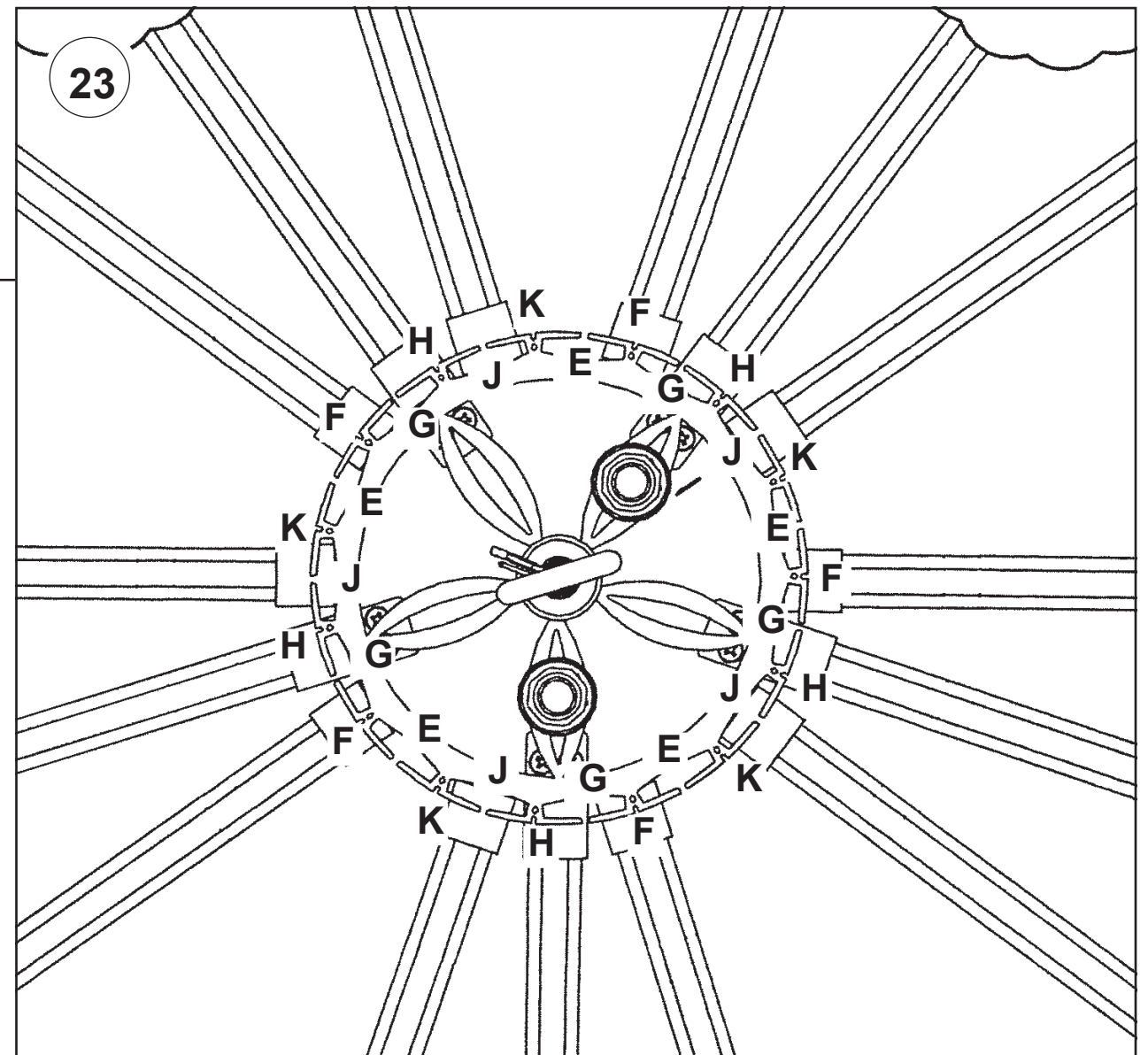
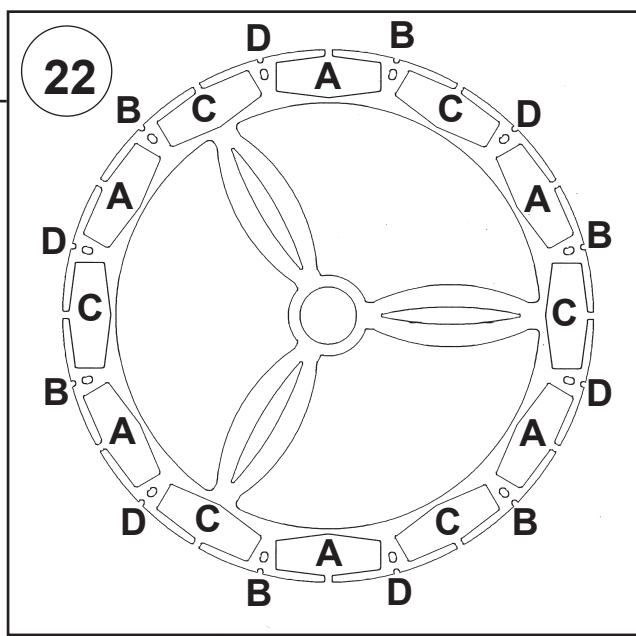
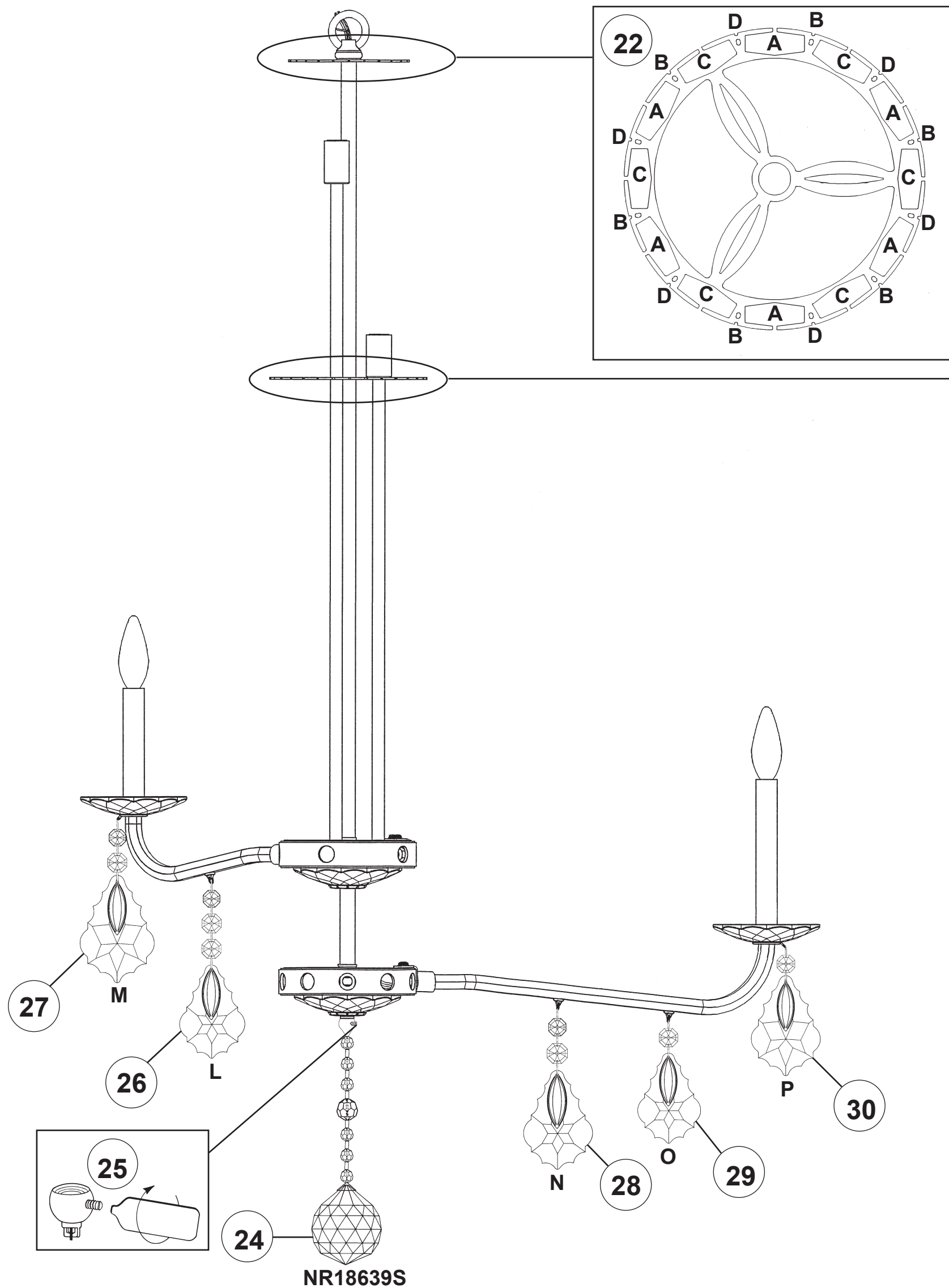


**19** Connect arm wires using plug-in connectors. See detailed illustration.



**20** Push wires into hole and attach arm into place by tightening screws.

**21** Install bobèche on every arm and screw bulbs into all sockets and test fixture before trimming. If any of the bulbs do NOT light - DISCONNECT POWER. Double check the wire connections.

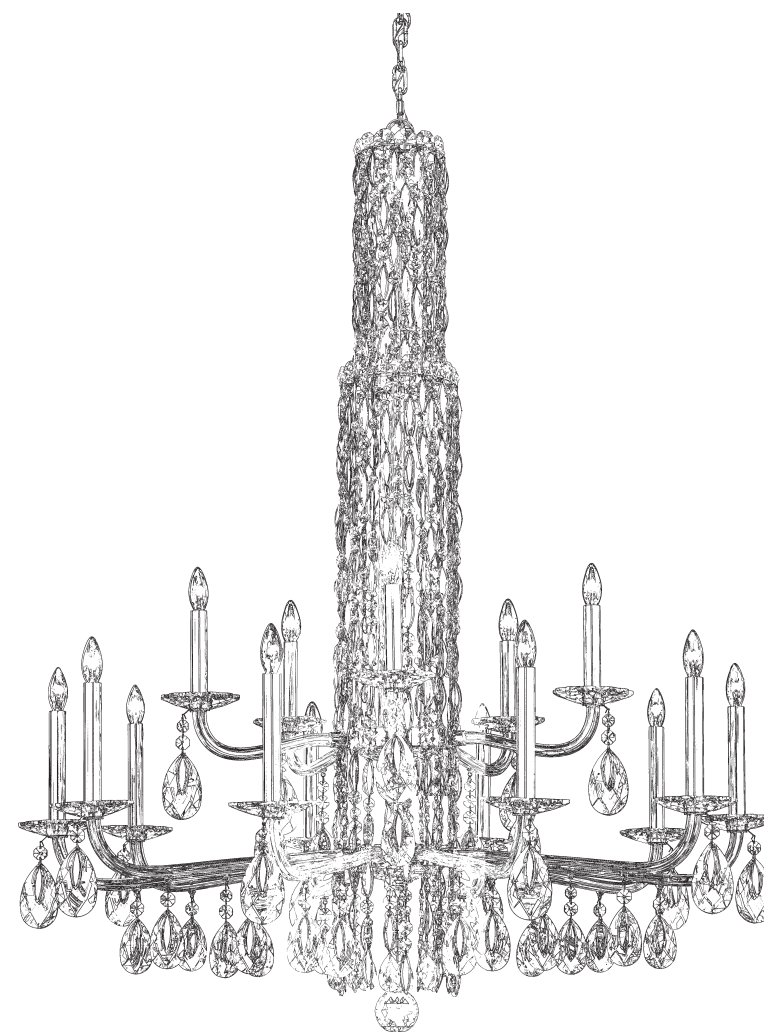


NR18639S





# SARELLA RS84151N-\_\_ \_\_S













15 + 2 Lights  
Diameter: 40-1/2"  
Height: 50-1/2"  
Hanging Weight: 44lbs.

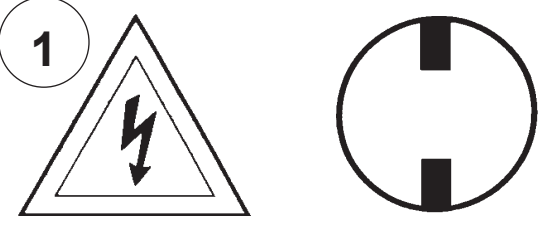
**T**HIS DESIGN IS THE PROPRIETARY  
TRADE DRESS/TRADEMARK OF  
W SCHONBEK LLC.

 **SCHONBEK** | 1870

 **SCHONBEK** | 1870

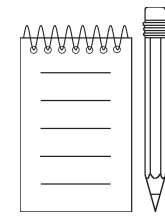
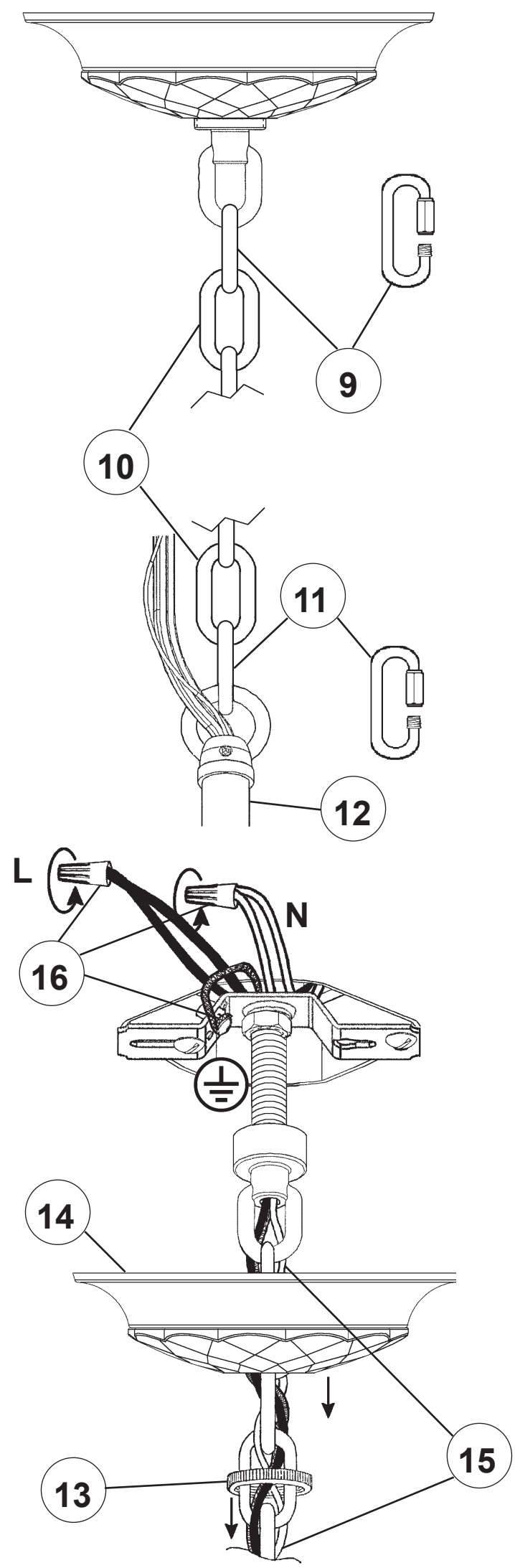
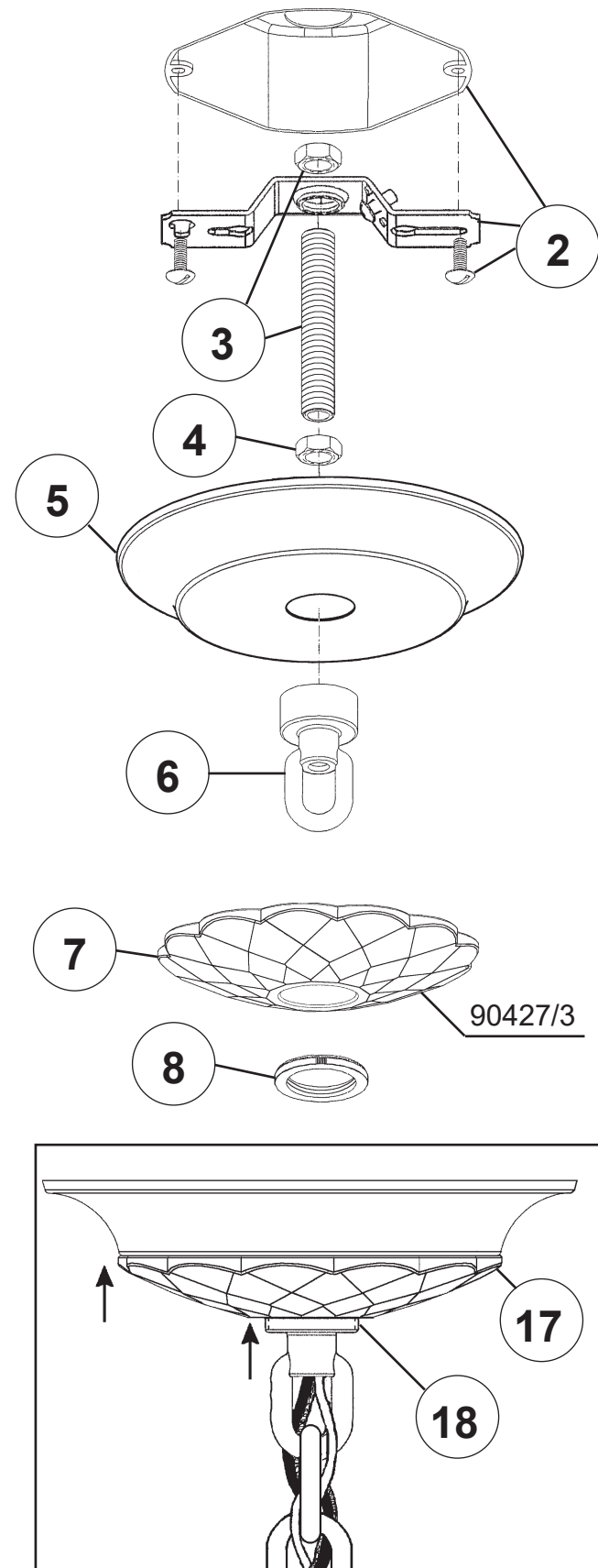
								
MAX <u>60</u> W	110-120 V							

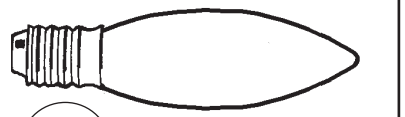
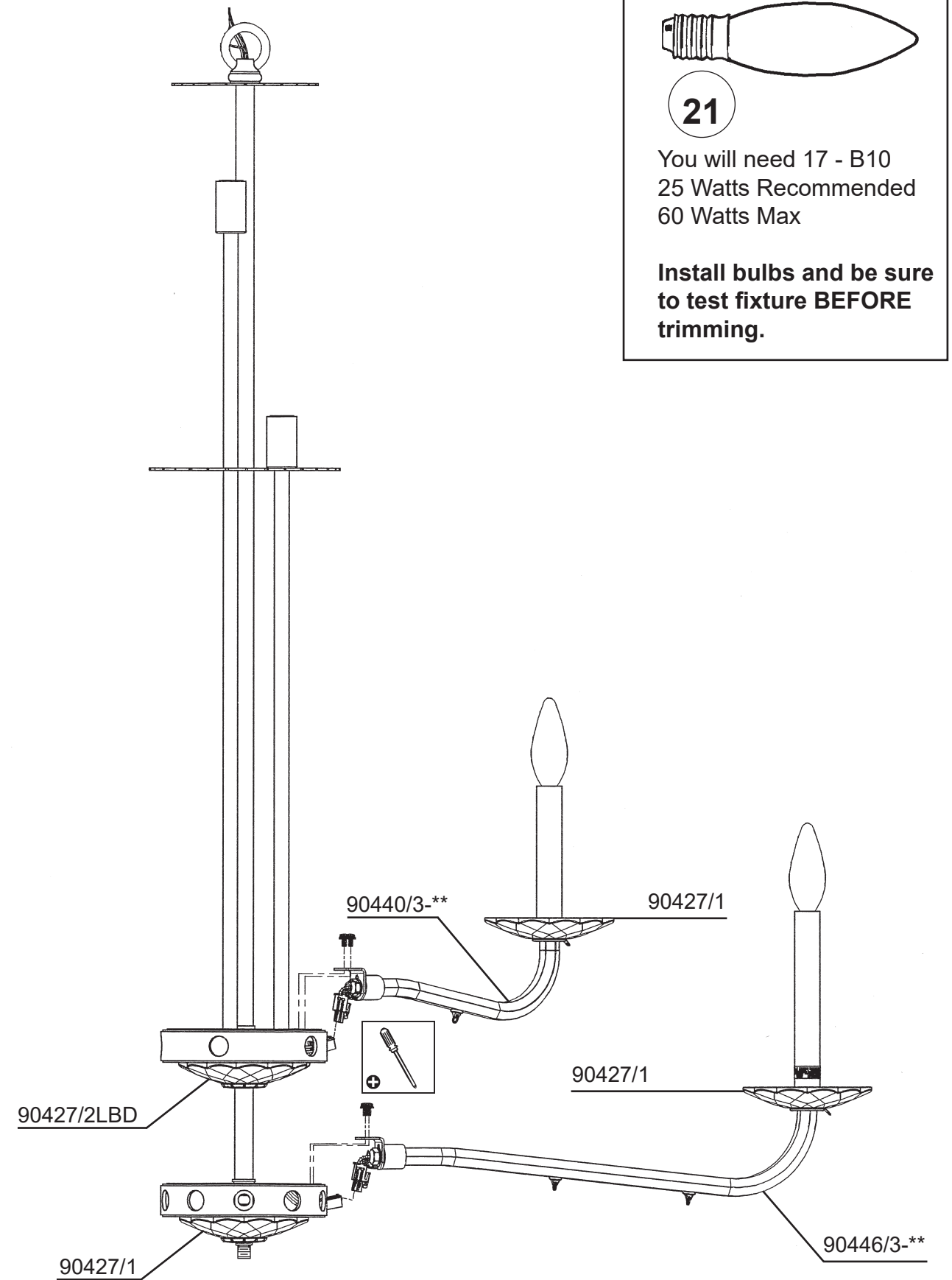
**WARNING:**

1 

**Electrical Danger Turn Power Off**

All electrical components must be installed by a licensed electrician in accordance with the National Electric Code and the appropriate local electrical codes.



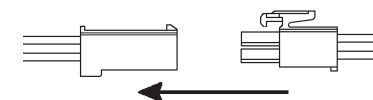


**21**

You will need 17 - B10  
25 Watts Recommended  
60 Watts Max

**Install bulbs and be sure  
to test fixture BEFORE  
trimming.**

**19** Connect arm wires using plug-in connectors. See detailed illustration.



**20** Push wires into hole and attach arm into place by tightening screws.

**21** Install bobèche on every arm and screw bulbs into all sockets and test fixture before trimming. If any of the bulbs do NOT light - DISCONNECT POWER. Double check the wire connections.

