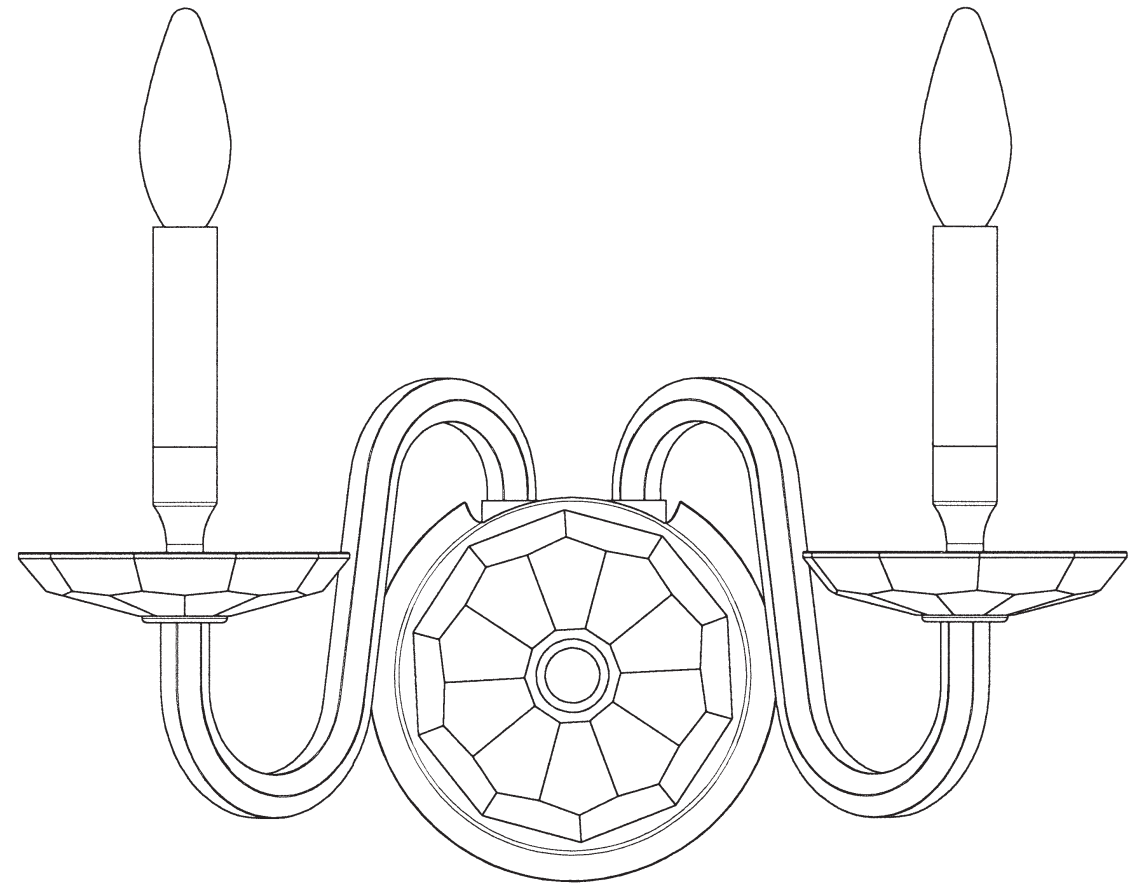


HABSBURG S9215- __ __ O

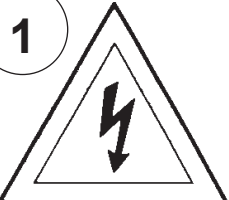
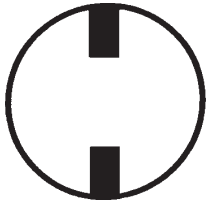


THIS DESIGN IS THE PROPRIETARY
TRADE DRESS/TRADemark OF
W SCHONBEK LLC.

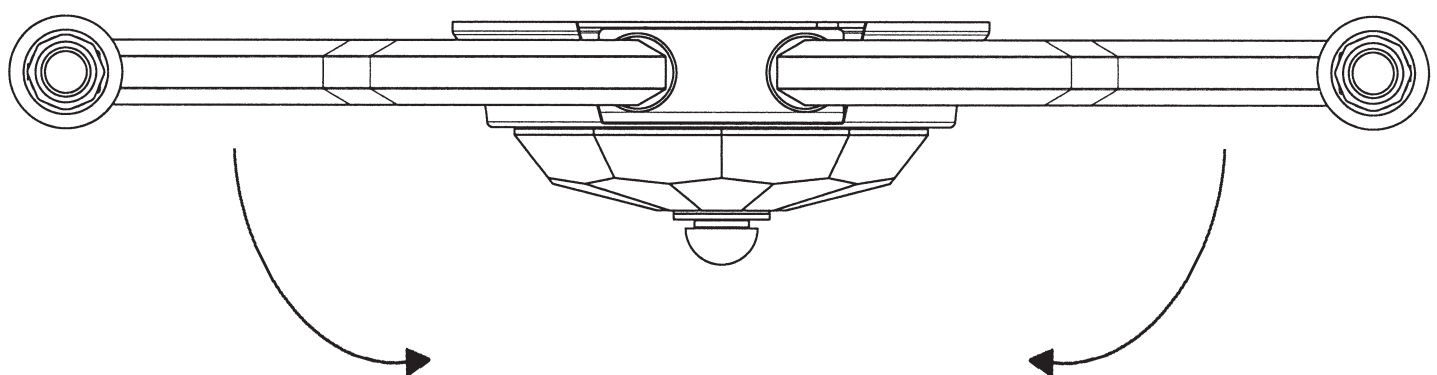
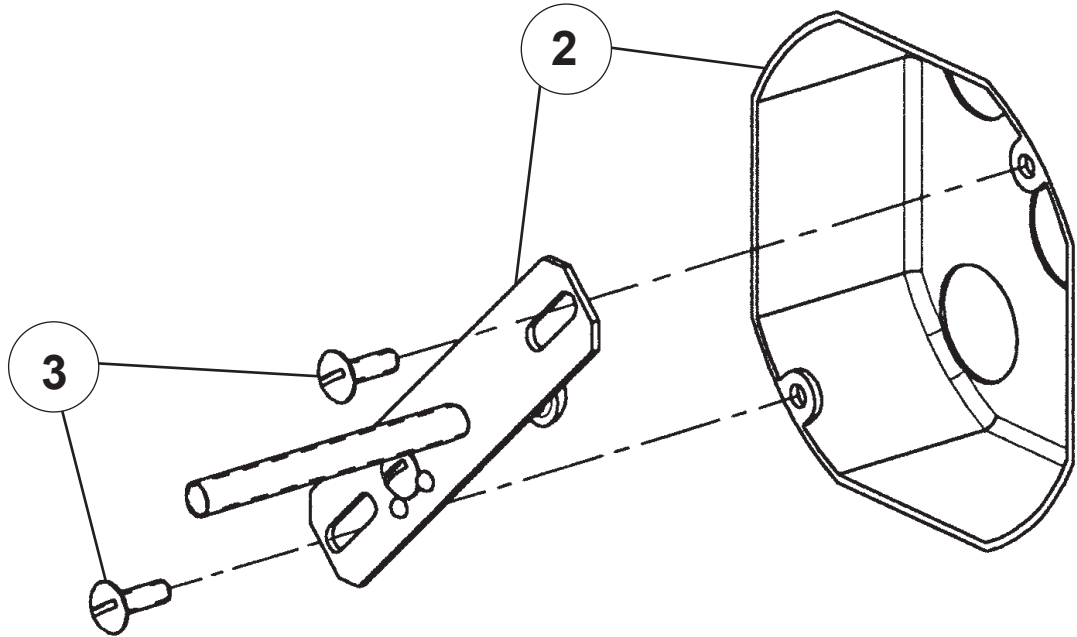


MAX 60 W	110-120 V							

WARNING:

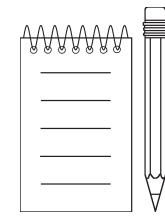
1  **Electrical Danger**  **Turn Power Off**

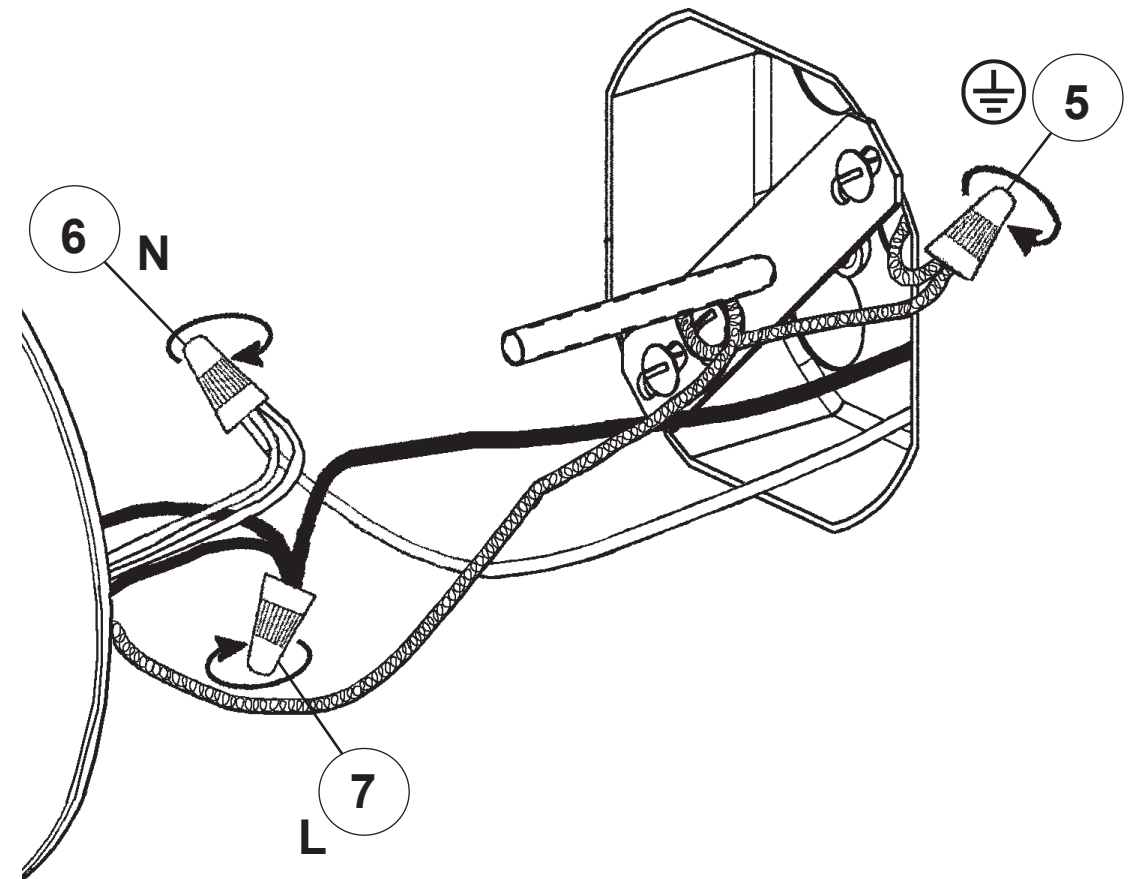
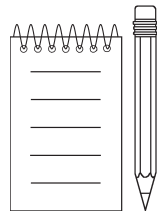
All electrical components must be installed by a licensed electrician in accordance with the National Electric Code and the appropriate local electrical codes.

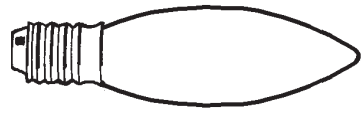


4 Turn arms to line up holes in arms with dimple in plate. Tighten lock washer and nut to secure arms in place.

HOLE
DIMPLE







You will need 2 - B10
25 Watts Recommended
60 Watts Max

