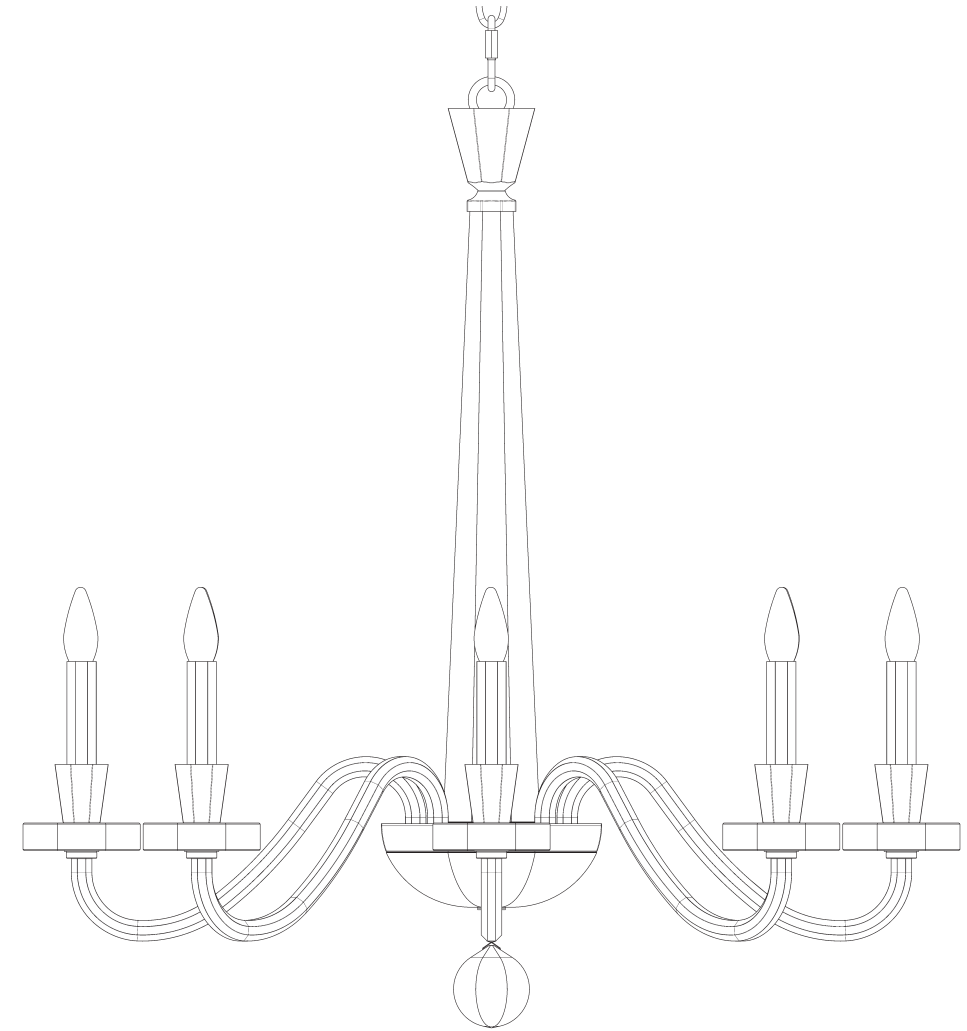


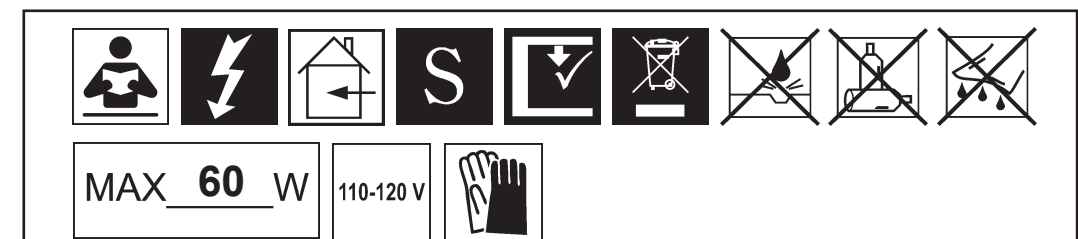
SCHONBEK
*Signature*TM

AMADEUS S9334- __ __ OH

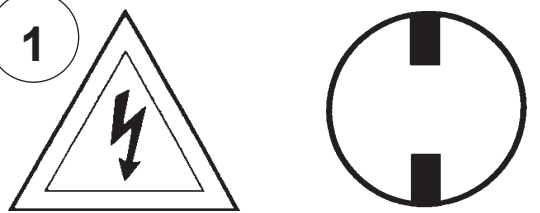


THIS DESIGN IS THE PROPRIETARY
TRADE DRESS/TRADEMARK OF
W SCHONBEK LLC.

SCHONBEK
*Signature*TM

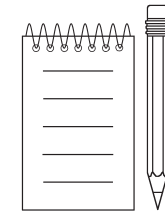
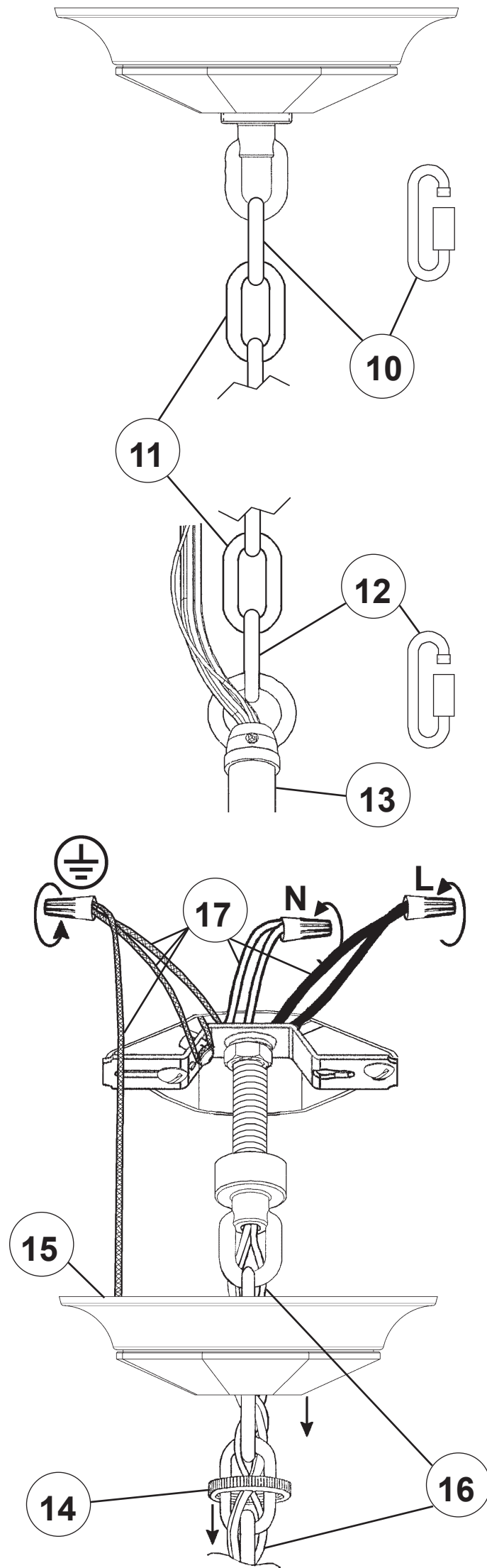
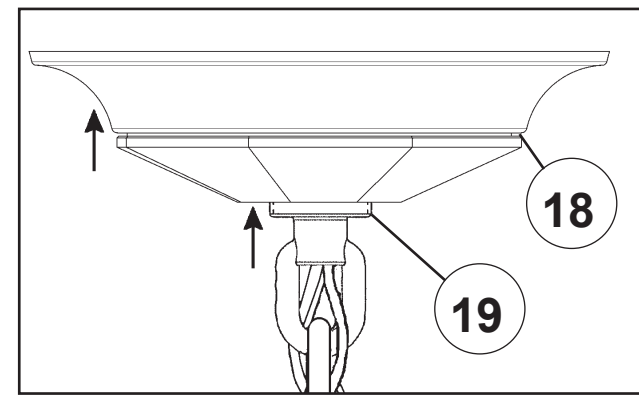
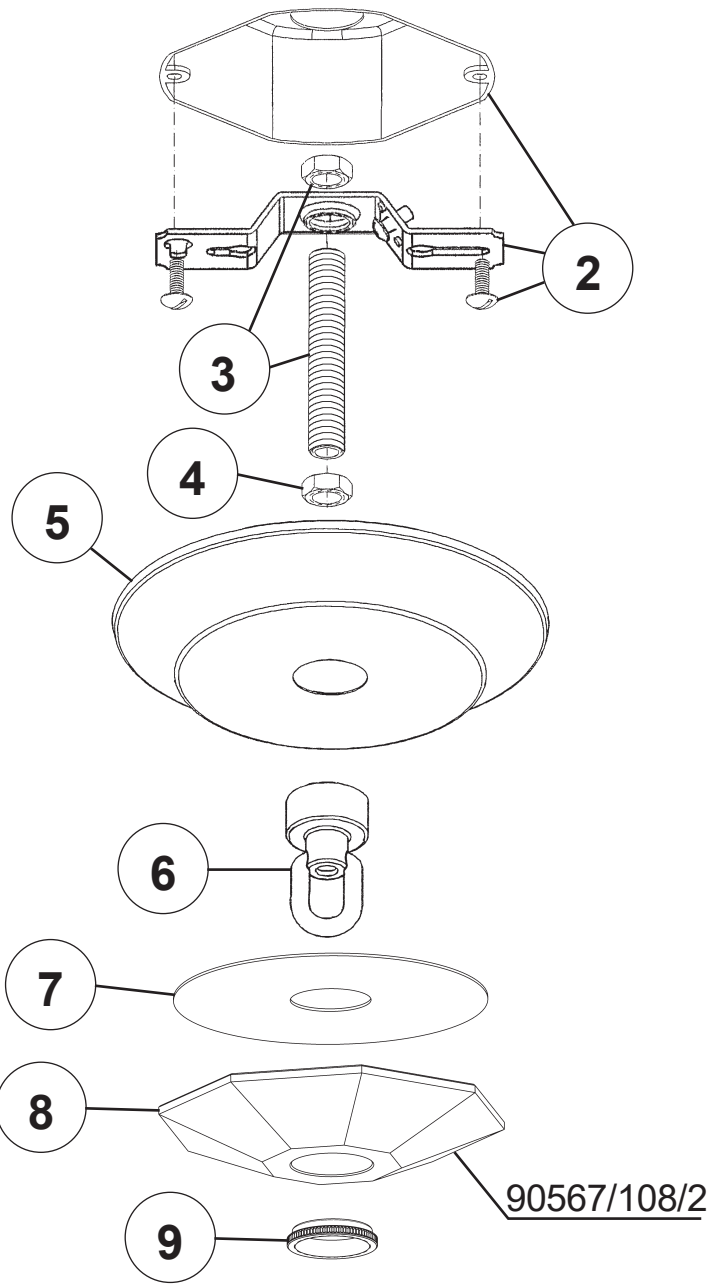


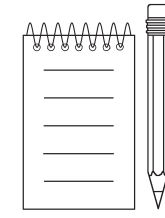
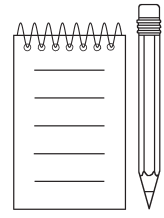
WARNING:

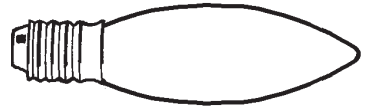
1 

Electrical Danger Turn Power Off

All electrical components must be installed by a licensed electrician in accordance with the National Electric Code and the appropriate local electrical codes.







You will need 8 - B10
25 Watts Recommended
60 Watts Max

