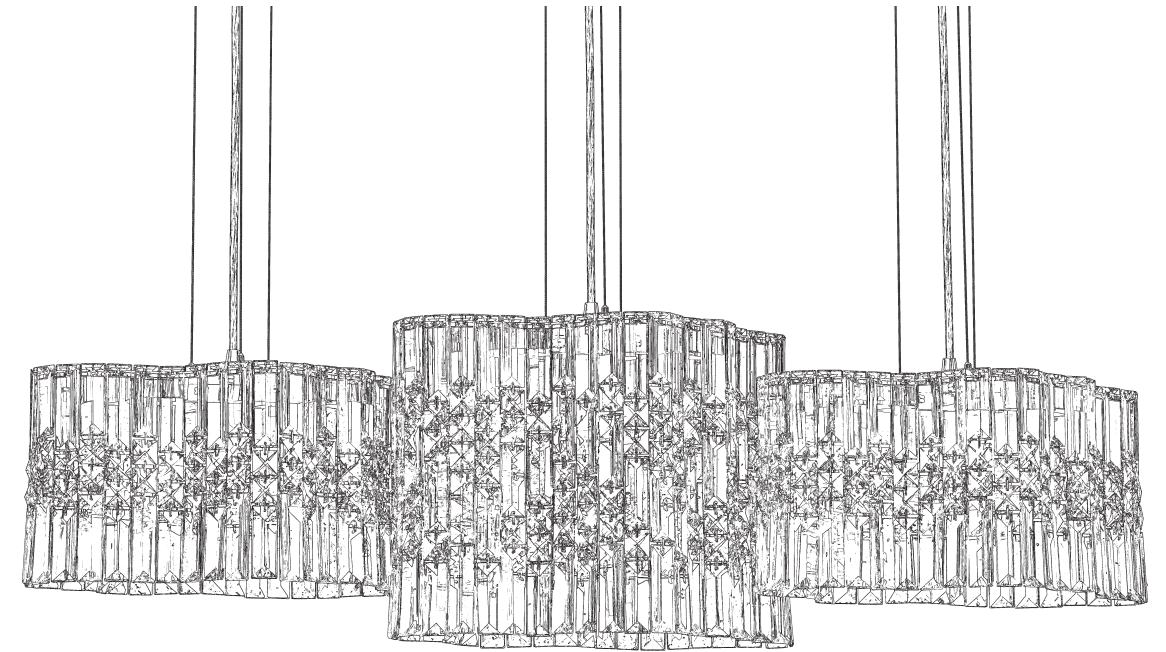
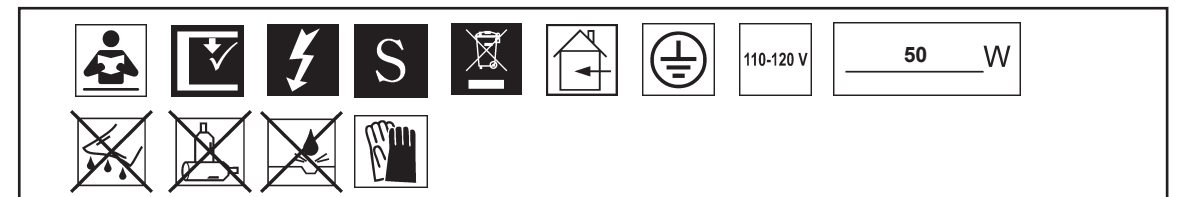


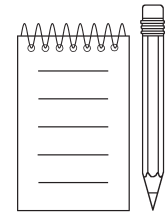
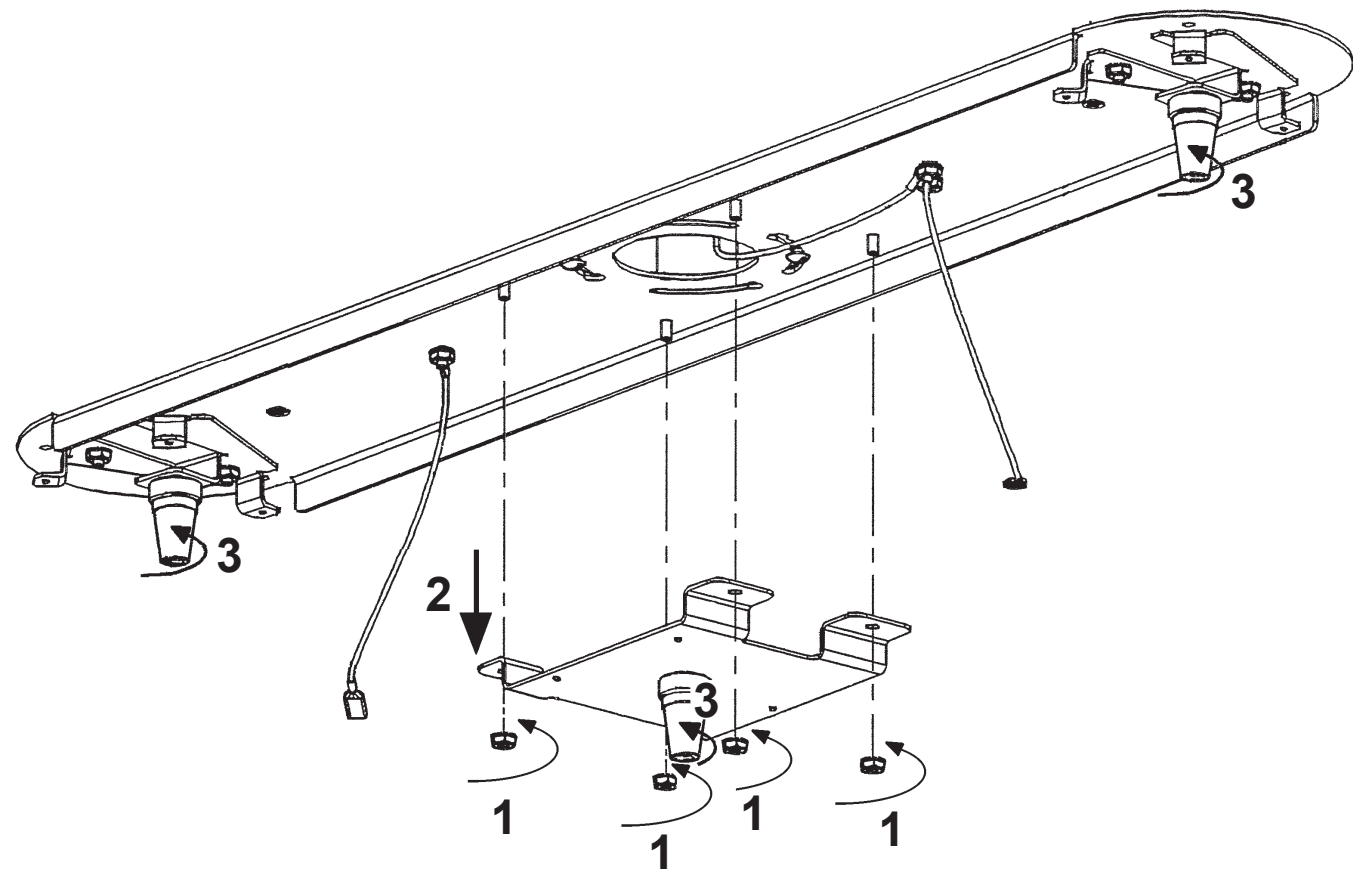
 **SCHONBEK** | 1870

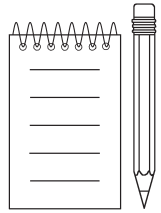
SELENE
SPU140N-___O



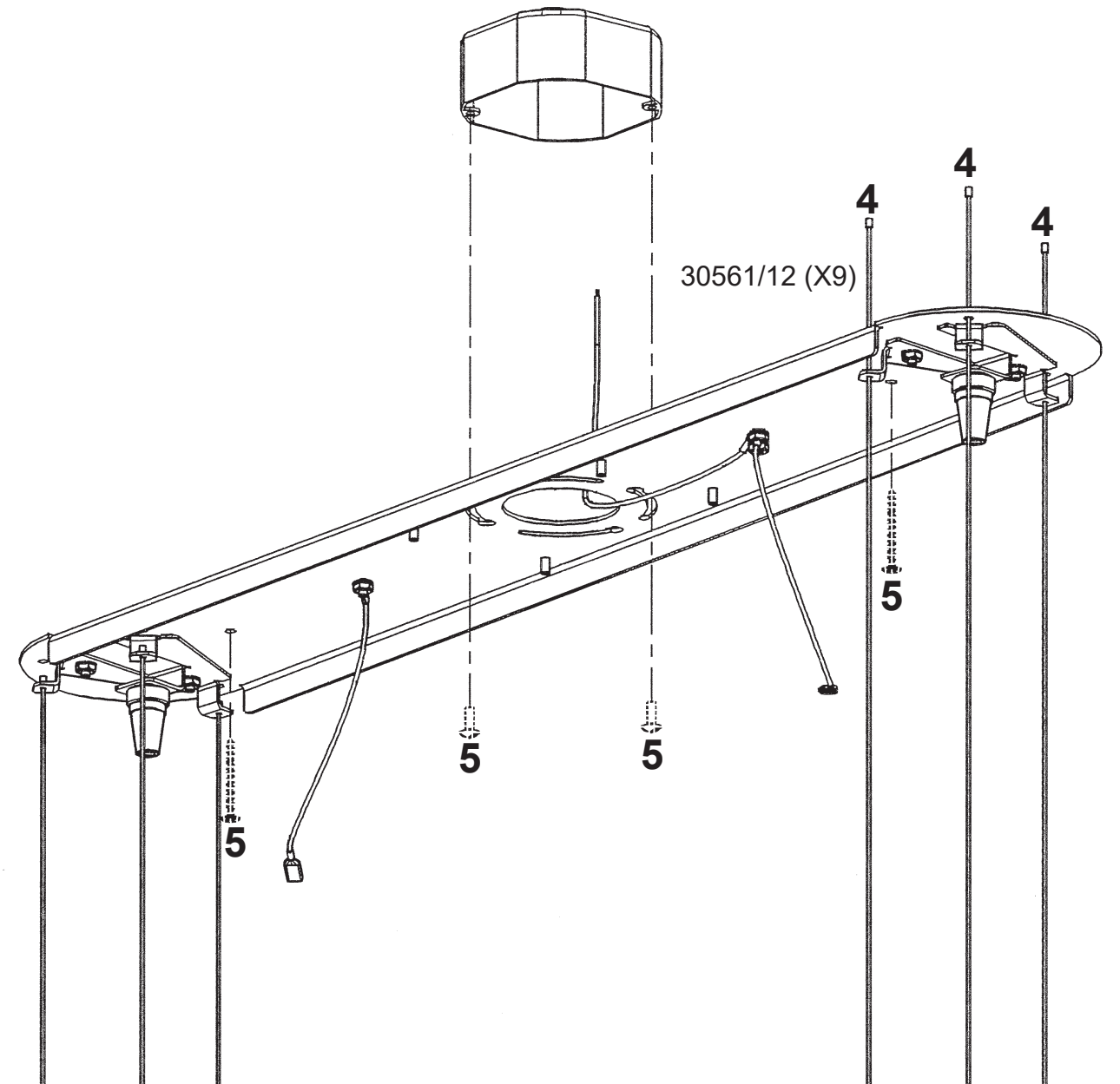
 **SCHONBEK** | 1870

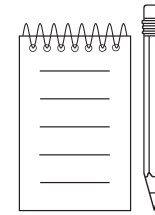
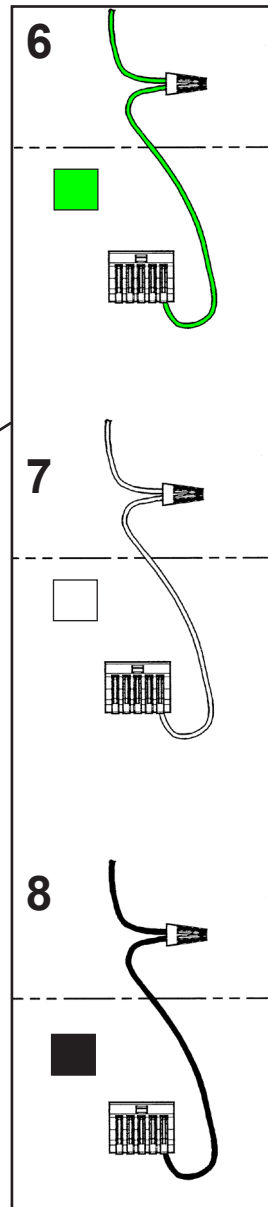
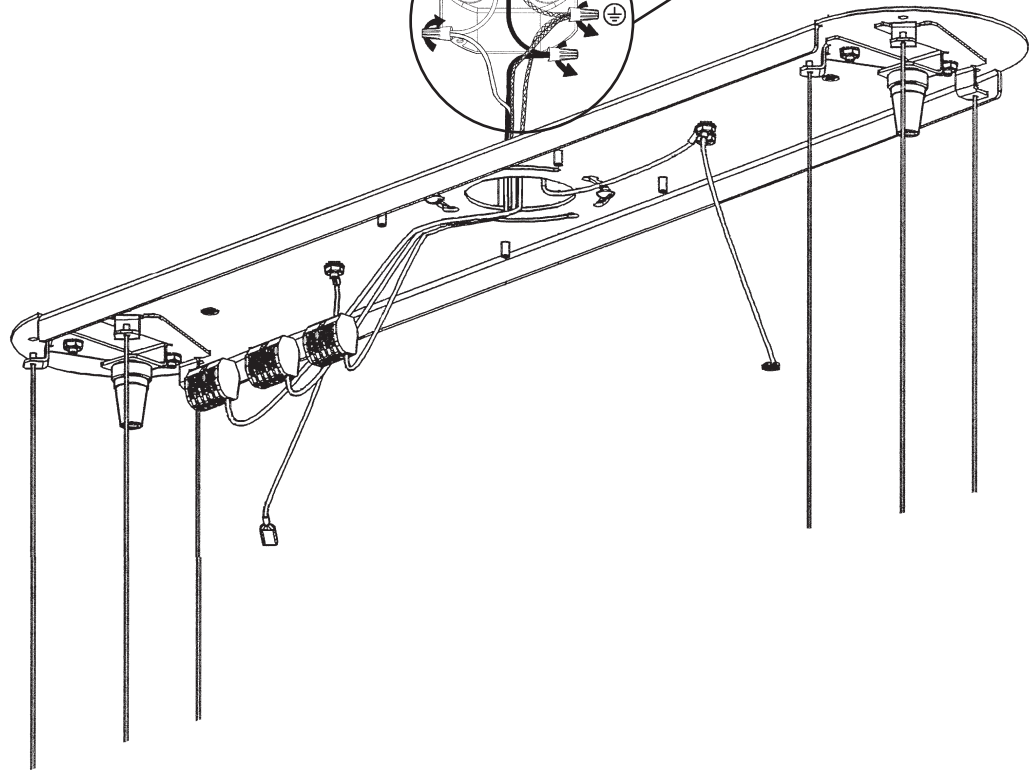
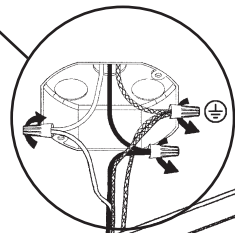
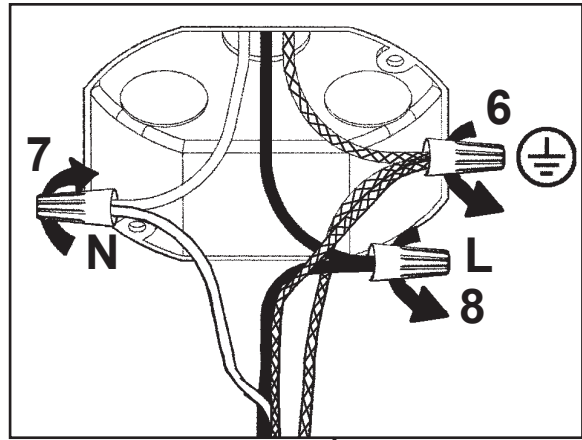


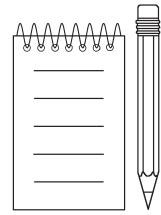




9 X  : 30561/12







NOTE:
CLAMPS ARE
NOT SUPPLIED.
USE AS NEEDED.

